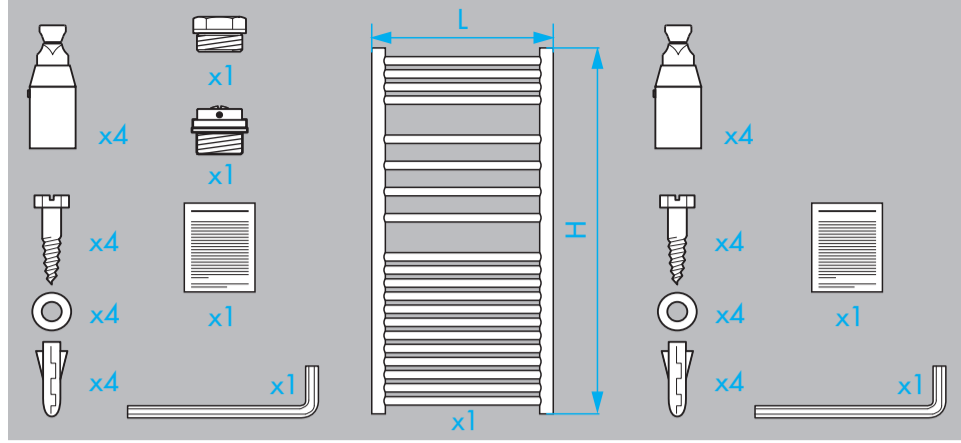
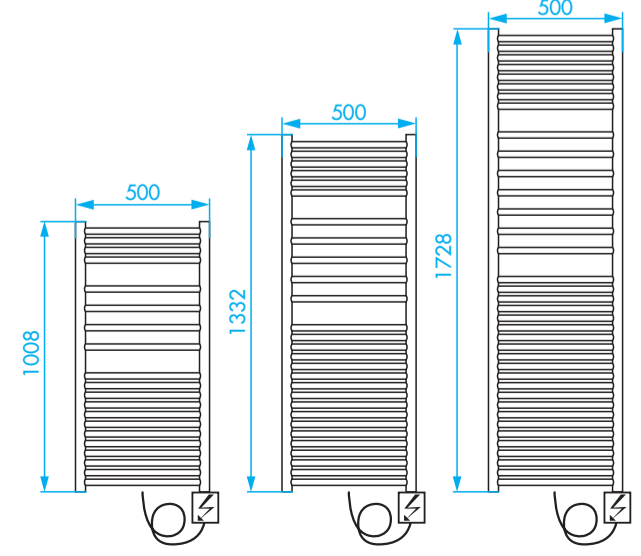
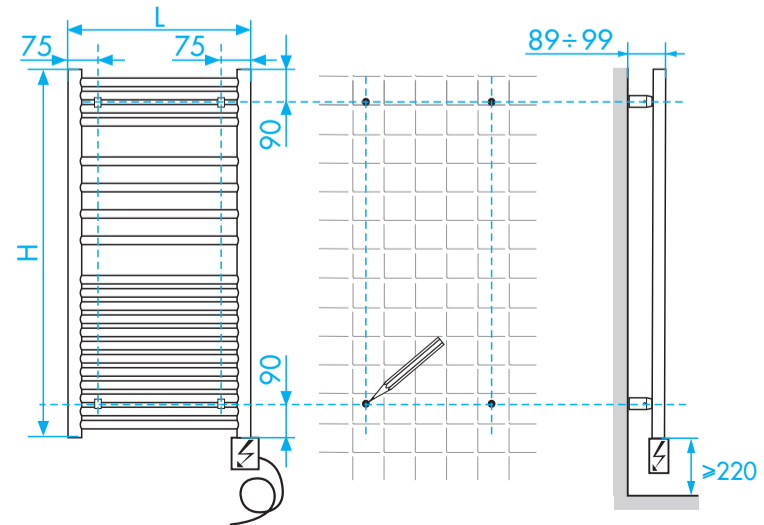
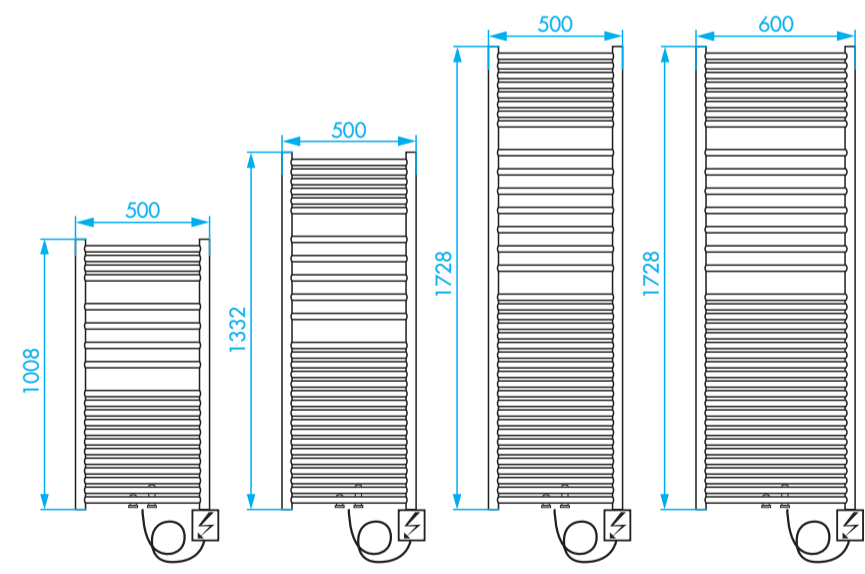
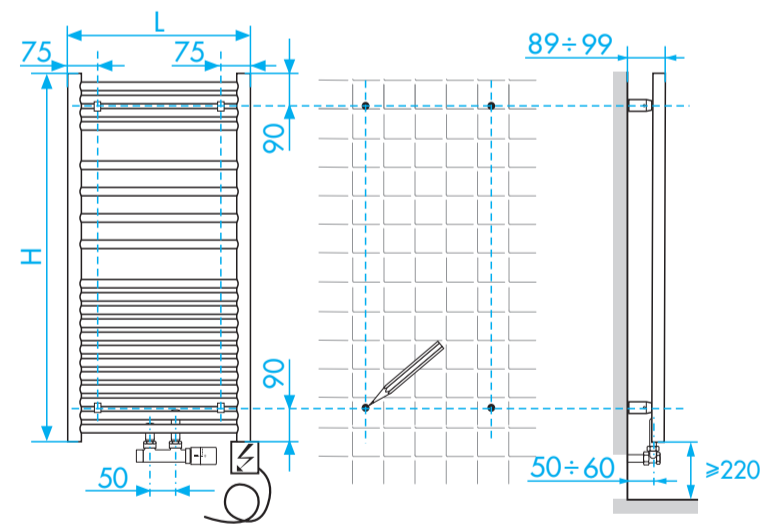
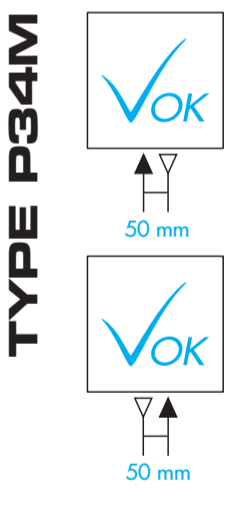
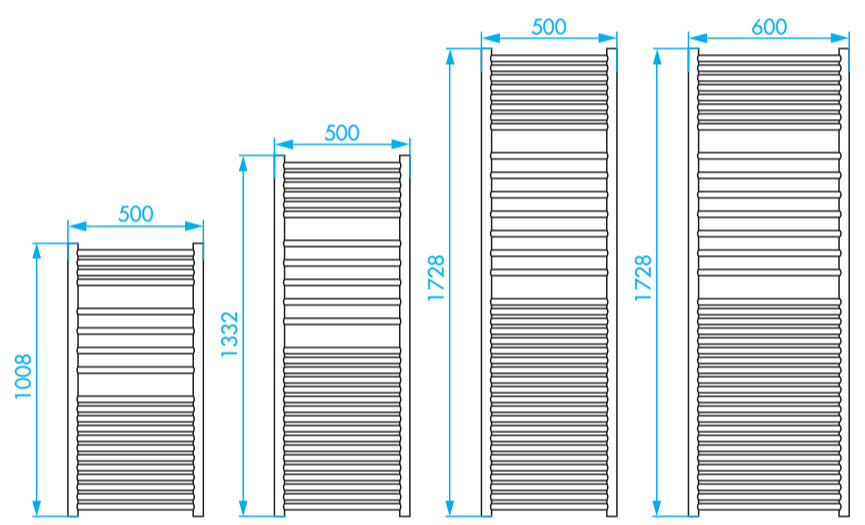
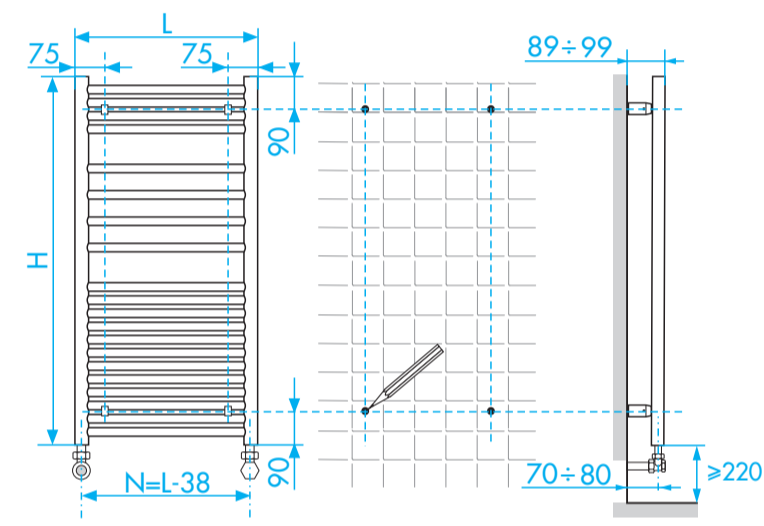
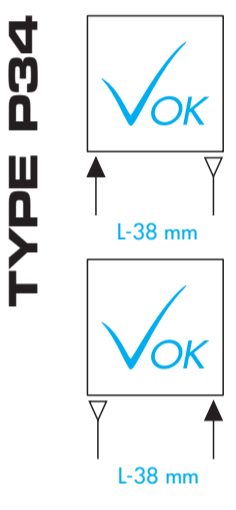
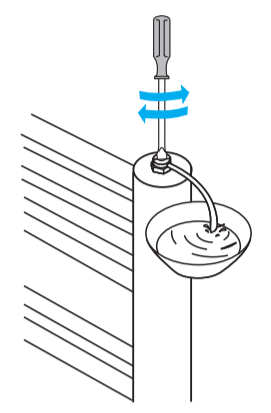
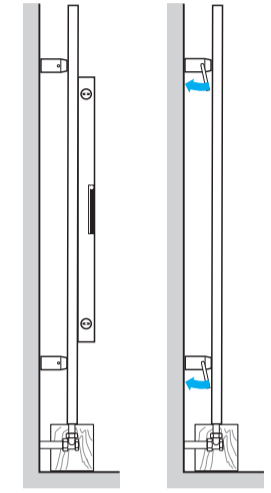
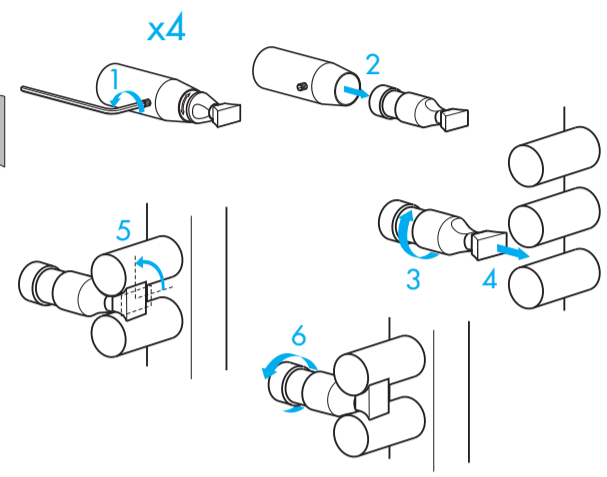
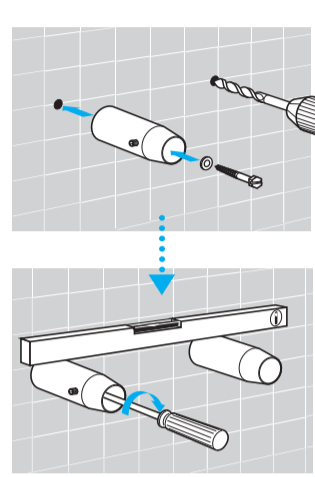
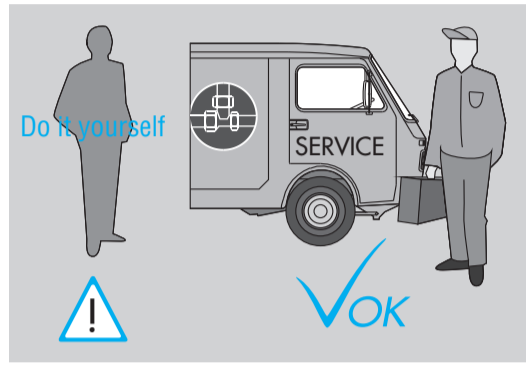
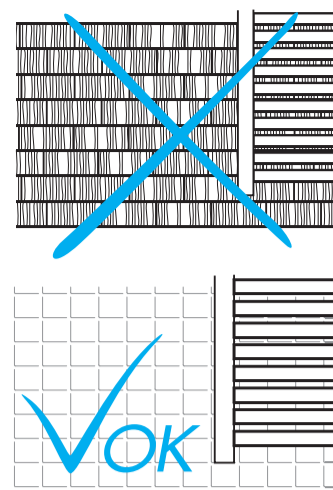
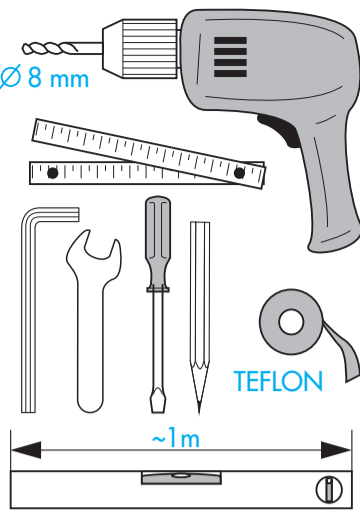


TYPE P34 / P34M

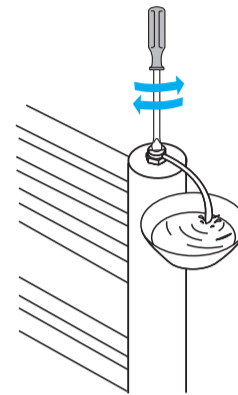
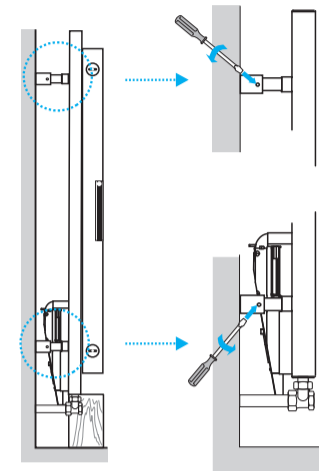
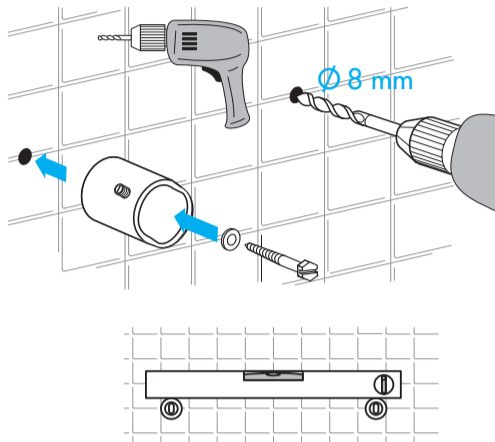
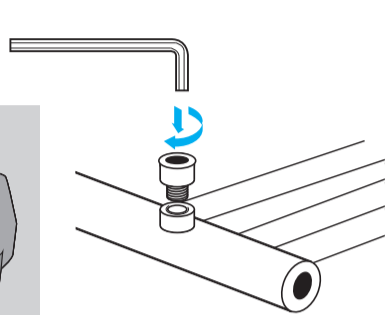
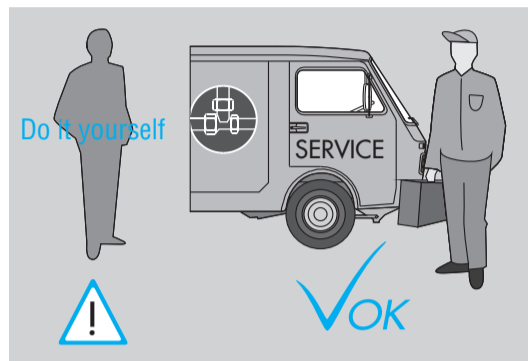
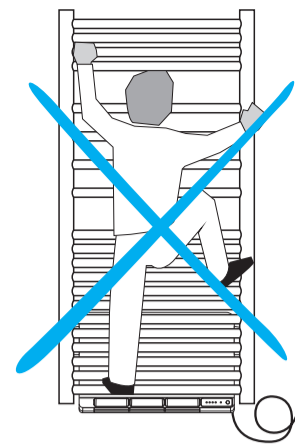
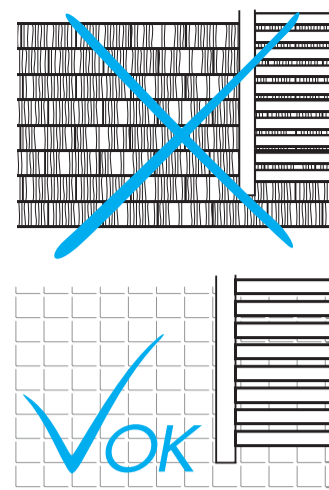
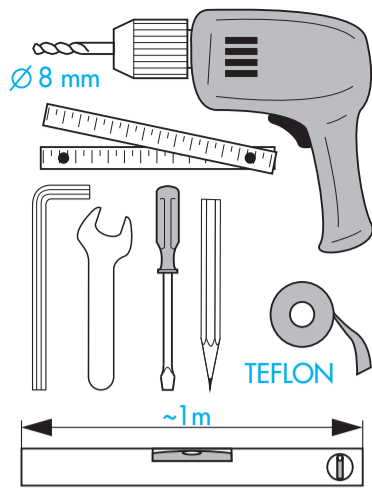
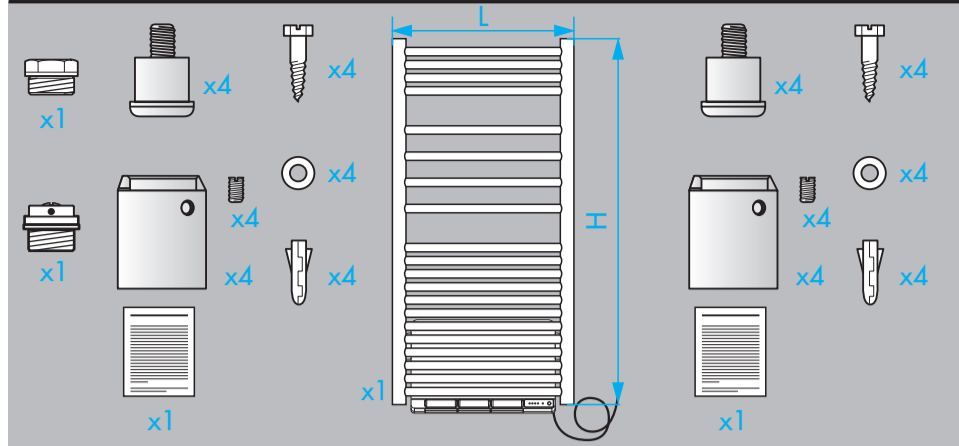
TYPE P34E



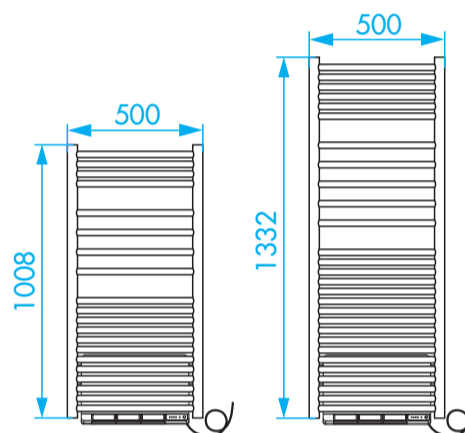
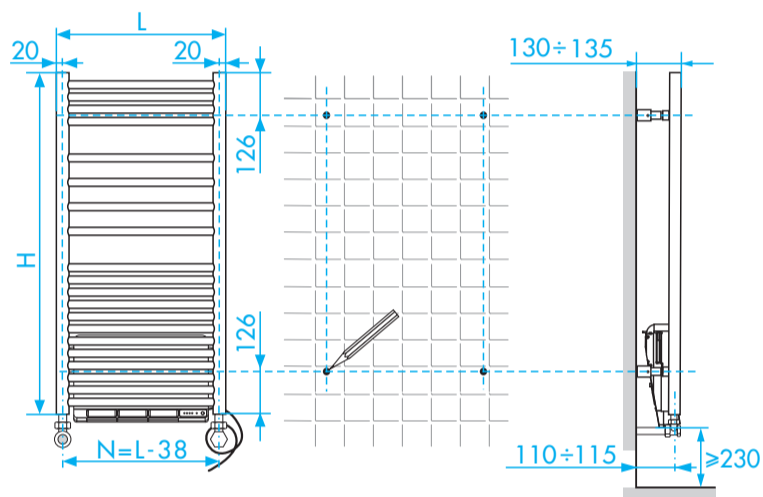
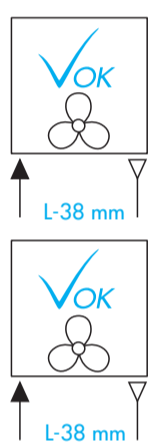
© Copyright by PBO 06/17 40004097



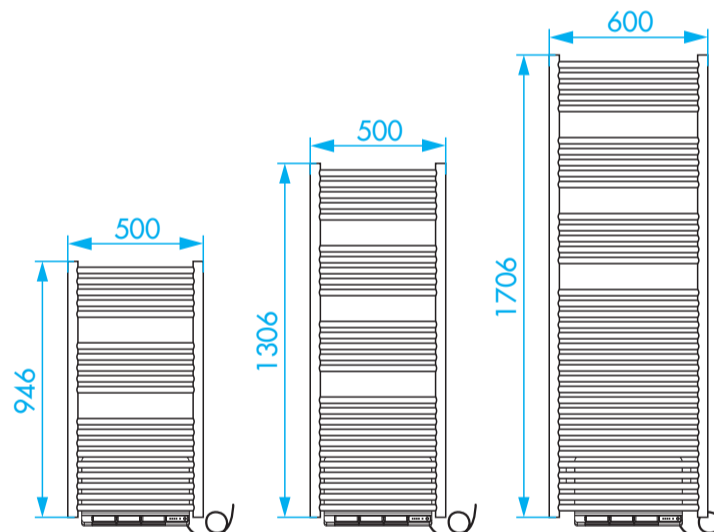
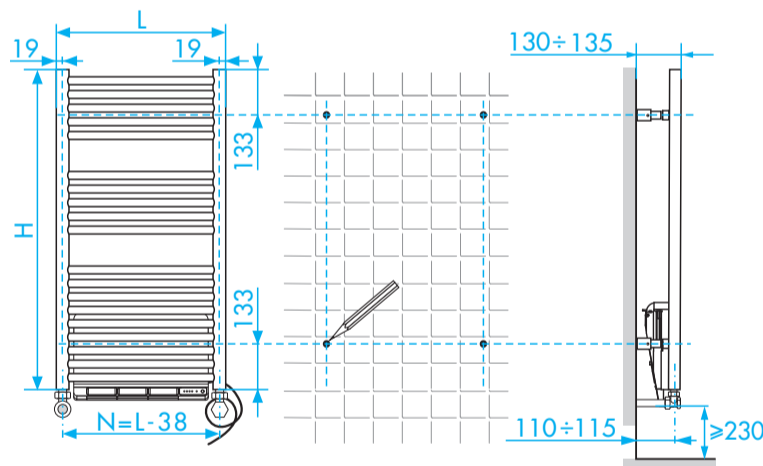
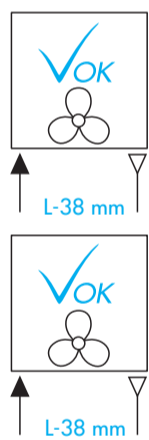
TYPE P34F/P32F TYPE P34EF/P32EF



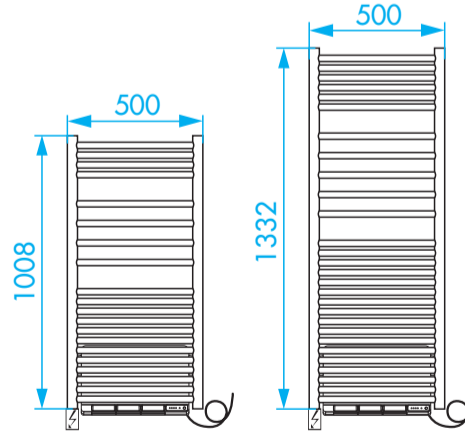
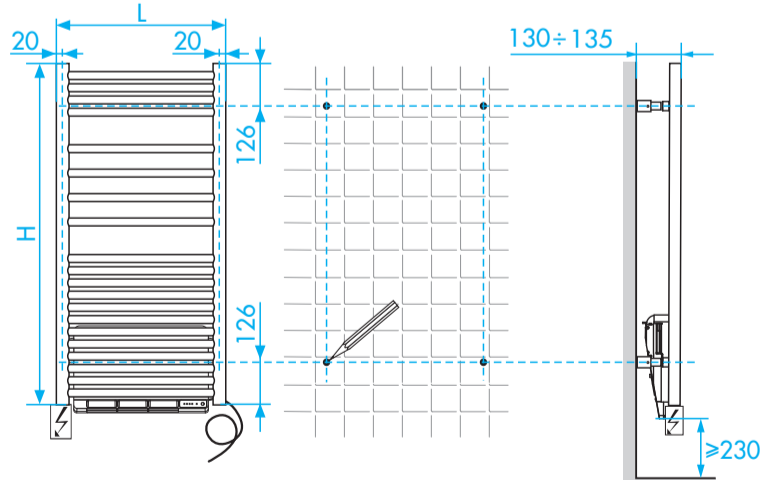
TYPE P34F



TYPE P32F



TYPE P34EF



TYPE P32EF

