

Impulse relays Ex9JU

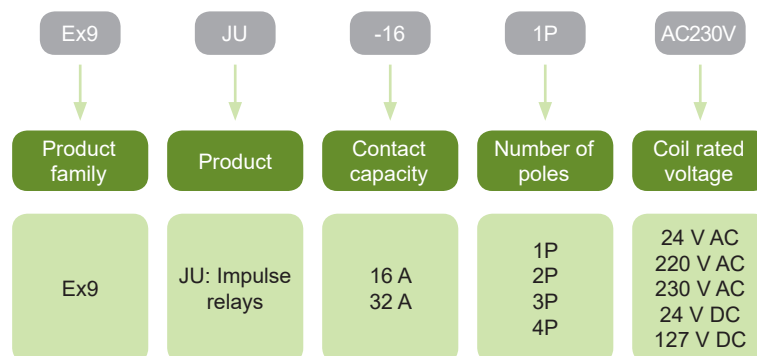


- Meet requirements of IEC / EN 61810
- Rated current 16 or 32 A
- Control coil voltage 24, 220 or 230 V AC and 24 or 127 V DC
- Rated frequency 50 Hz
- 1, 2, 3 or 4-contact versions

Impulse relays Ex9JU are suitable mainly for household where is low power consumption required. Change-over contacts are switched while impulse is provided to the coil. They are mainly used in building automation processes for switching and controlling lightings, heating systems, ventilations, pumps, heating pumps and other applications.

Impulse relays are offered in two variants of rated current 16 or 32 A. Each version has possibility of up to 4 change-over contacts. Hardware switches on a front of device for manual control.

Type Key



Certification marks



Impulse relays Ex9JU

Impulse relays 16 A

- Rated current 16 A
- 1 to 4 contacts
- Control voltage 24, 220 or 230 V AC and 24 or 127 V DC



Control voltage	Number of contacts	Article No.	Type	Packing
220 V AC	1	110260	Ex9JU-16/1P AC220V	1/12/180
230 V AC	1	110261	Ex9JU-16/1P AC230V	1/12/180
24 V AC	2	110262	Ex9JU-16/2P AC24V	1/12/180
220 V AC	2	110263	Ex9JU-16/2P AC220V	1/12/180
230 V AC	2	110264	Ex9JU-16/2P AC230V	1/12/180
24 V AC	3	110265	Ex9JU-16/3P AC24V	1/6/90
220 V AC	3	110266	Ex9JU-16/3P AC220V	1/6/90
230 V AC	3	110267	Ex9JU-16/3P AC230V	1/6/90
24 V AC	4	110268	Ex9JU-16/4P AC24V	1/6/90
220 V AC	4	110269	Ex9JU-16/4P AC220V	1/6/90
230 V AC	4	110270	Ex9JU-16/4P AC230V	1/6/90
24 V DC	1	110282	Ex9JU-16/1P DC24V	1/12/180
127 V DC	1	110283	Ex9JU-16/1P DC127V	1/12/180
24 V DC	2	110284	Ex9JU-16/2P DC24V	1/12/180
24 V DC	3	110285	Ex9JU-16/3P DC24V	1/6/90
24 V DC	4	110286	Ex9JU-16/4P DC24V	1/6/90

Impulse relays 32 A

- Rated current 32 A
- 1 to 4 contacts
- Control voltage 24, 220 or 230 V AC and 24 V DC



Control voltage	Number of contacts	Article No.	Type	Packing
220 V AC	1	110271	Ex9JU-32/1P AC220V	1/12/180
230 V AC	1	110272	Ex9JU-32/1P AC230V	1/12/180
24 V AC	2	110273	Ex9JU-32/2P AC24V	1/6/90
220 V AC	2	110274	Ex9JU-32/2P AC220V	1/6/90
230 V AC	2	110275	Ex9JU-32/2P AC230V	1/6/90
24 V AC	3	110276	Ex9JU-32/3P AC24V	1/4/60
220 V AC	3	110277	Ex9JU-32/3P AC220V	1/4/60
230 V AC	3	110278	Ex9JU-32/3P AC230V	1/4/60
24 V AC	4	110279	Ex9JU-32/4P AC24V	1/3/45
220 V AC	4	110280	Ex9JU-32/4P AC220V	1/3/45
230 V AC	4	110281	Ex9JU-32/4P AC230V	1/3/45
24 V DC	1	110287	Ex9JU-32/1P DC24V	1/12/180
24 V DC	2	110288	Ex9JU-32/2P DC24V	1/6/90
24 V DC	3	110289	Ex9JU-32/3P DC24V	1/4/60
24 V DC	4	110290	Ex9JU-32/4P DC24V	1/3/45

Technical Data Ex9JU

Impulse relays

General parameters

1, 2, 3 and 4-contact versions

Hardware switches on a front of device for manual control

Electrical parameters

	Ex9JU-16	Ex9JU-32
Tested according to	IEC/EN 61810-1:2015	
Rated operational voltage U_e	250 V AC / 28 V DC	
Coil rated voltage U_c	24 V AC / 220 V AC / 230 V AC 24 V DC / 127 V DC	
Control voltage range	85 — 110 % U_c	
Rated frequency f	50 Hz	
Maximum switching voltage	250 V AC / 125 V DC	
Rated insulation voltage U_i	500 V	
Rated impulse withstand voltage U_{imp}	4 kV	
Maximum switching current	16 A	32 A
Maximum switching power	4000 VA (250 V AC) / 448 W (28 V DC)	8000 VA (250 V AC) / 896 W (28 V DC)
Electrical service life	100 000 operating cycles	
Max. switching frequency	720 per hour	
Coil power consumption		
1P	8.28 VA 7.68 W	12.42 VA 7.68 W
2P		24.84 VA 15.36 W
3P	16.56 VA 15.36 W	37.26 VA 23.04 W
4P		49.68 VA 30.72 W
Ambient temperature	-25 — +55 °C	
Impulse duration	50 ms (minimum) 200 ms (recommended) 1000 ms (maximum)	
Switching delay (ON / OFF)	20 / 15 ms	
Overvoltage category	II	

Mechanical parameters

	Ex9JU-16	Ex9JU-32
Device width (1P / 2P / 3P / 4P)	18 / 18 / 36 / 36 mm	18 / 36 / 54 / 72 mm
Device height	83.2 mm (86 mm including rail clip)	
Frame size	45 mm	
Mounting	easy fastening onto 35 mm device rail (DIN)	
Mounting position	any	
Degree of protection	IP20	
Terminals	M3.5 screws	M4 screws
Terminal capacity	2.5 — 4 mm ²	4 — 6 mm ²
Fastening torque of terminals	0.8 Nm	1.2 Nm
Control coil terminal	M3.5 screws	
Control coil terminal capacity	2.5 — 4 mm ²	
Fastening torque of control terminals	0.8 Nm	
Mechanical service life	1 000 000 operating cycles	
Pollution degree	1	
Installation class	III	
Weight (1MU / 2MU / 3MU / 4MU)	0.11 / 0.22 / 0.33 / 0.44 kg	

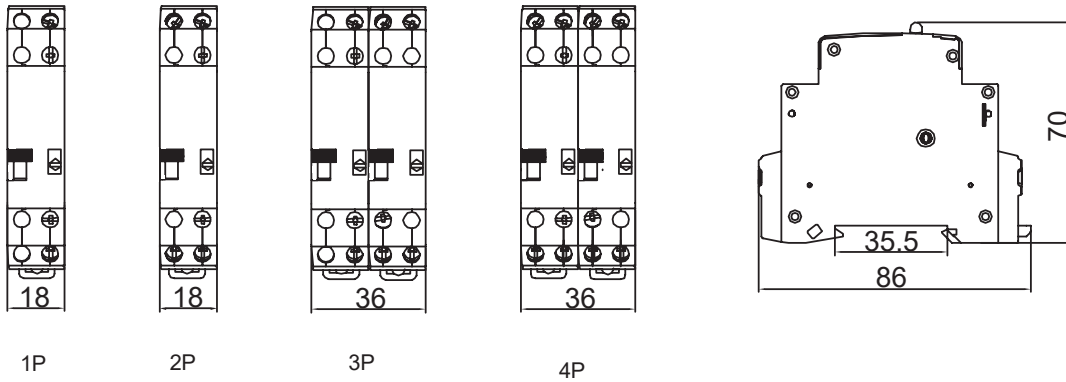
Technical Data Ex9JU

Impulse relays

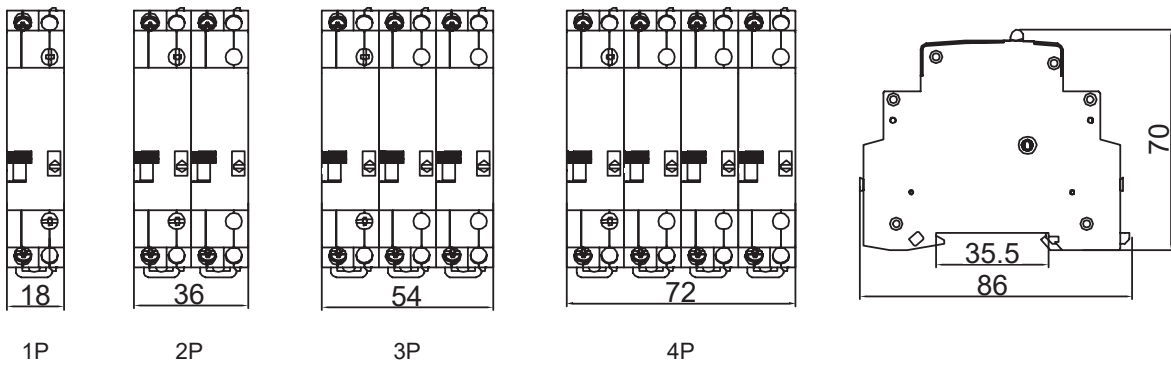
Dimensions

Ex9JU-16

mm

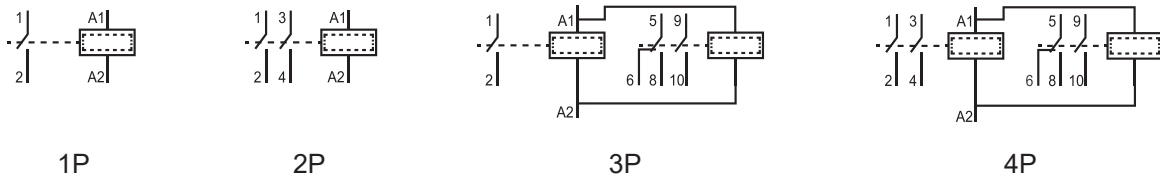


Ex9JU-32



Wiring diagrams

Ex9JU-16



Ex9JU-32

