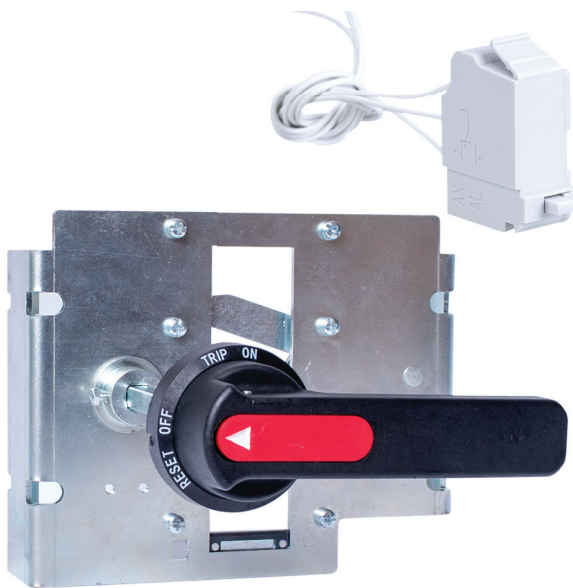


Accessories for electronic MCCBs Ex9M6



- Accessories for Ex9M6 line devices
- Auxiliary contacts synchronous with main contacts
- Signal contacts active on electrical tripping of the circuit breaker (tripping signal contacts)
- Shunt trip and undervoltage releases
- Rotary handle
- Extended handle
- Connection terminals

Accessories suitable for Moulded Case Circuit Breakers Ex9M6. It is possible to supplement or modify functions of a basic circuit breaker by the installation of suitable accessories.

Circuit breakers can be equipped with two auxiliary contacts AX21 and one unit of signal contact AL21. The device can be controlled by the shunt trip release SHT and the undervoltage release UVT. The closing release XF is only suitable for the MOD version.

The circuit breakers can also be equipped with an extended handle for easier operation of the toggle and an extended rotatory handle for different applications e.g. for door coupling.

Mounting of the device onto plate can be done directly.

Accessories for electronic MCCBs Ex9M6

Auxiliary and signal contact units

- Auxiliary contacts synchronous with main contacts of the circuit breaker
- Signal contacts active on electrical tripping of the circuit breaker (tripping signal contacts)



Function	Suitable MCCB	Contacts	Article No.	Type	Packing
Auxiliary	all	1 CO	101395	AX21	1/24
Signal	all (except SD)	1 CO	101396	AL21	1/24

Shunt trip releases

- It is possible to use one unit of shunt trip release SHT26



Suitable MCCB	Operating Voltage	Article No.	Type	Packing
all M6 size	24V DC	110460	SHT26 DC24V	1/3
all M6 size	48V DC	110461	SHT26 DC48V	1/3
all M6 size	110V DC	110462	SHT26 DC110V	1/3
all M6 size	220V DC	110463	SHT26 DC220V	1/3
all M6 size	48V AC	110464	SHT26 AC48V	1/3
all M6 size	110V AC	110465	SHT26 AC110V	1/3
all M6 size	220 - 240V AC	110466	SHT26 AC220-240V	1/3
all M6 size	380 - 415V AC	110467	SHT26 AC380-415V	1/3

Undervoltage releases

- It is possible to use one unit of undervoltage release UVT26

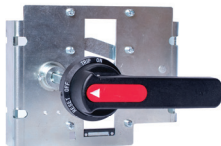


Suitable MCCB	Operating Voltage	Article No.	Type	Packing
all M6 size	220 - 240 V AC	110468	UVT26 AC220-240V	1/3
all M6 size	380 - 415 V AC	110469	UVT26 AC380-415V	1/3

Accessories for electronic MCCBs Ex9M6

Extended rotary handle

- Rotary handle with extension shaft
- Scope of delivery: mechanism block, extension shaft, rotary handle
- Indication of connected breaker status ON-OFF-TRIP
- Can be locked in ON and OFF position



Suitable MCCB	Shaft length	Handle colour	Article No.	Type	Packing
Ex9M6/SD	150 mm	Black	110718	ERH26	1/2

Extended handle

- For easier operation of the toggle



Suitable MCCB	Colour	Article No.	Type	Packing
Ex9M6/SD	Grey	110698	LHD26	1/20

Front connection plate

- Front connection plate for frame size M6



Suitable MCCB	Poles	Rated current	Article No.	Type	Packing
all M6 size	3P	800-1250	110694	JP26 3P 800-1250	2/10
all M6 size	3P	1600	110695	JP26 3P 1600	1/10
all M6 size	4P	800-1250	110696	JP26 4P 800-1250	2/10
all M6 size	4P	1600	110697	JP26 4P 1600	1/10

Technical Data Ex9M6 Accessories

Accessories for electronic Moulded Case Circuit Breakers Ex9M6

Auxiliary and signal contact units AX21, AL21

General parameters

Contact units for auxiliary and signal contact functions are suitable for all MCCB frame sizes
Auxiliary contacts synchronous with main contacts of the circuit breaker
Signal contacts active on electrical tripping of the circuit breaker (tripping signal contacts)
With connection wires

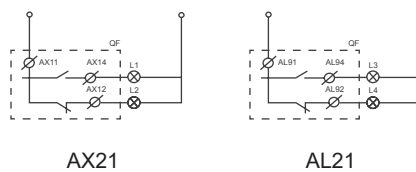
Electrical parameters

	AX21	AL21
Contacts	1 changeover (CO)	1 changeover (CO)
Contact function	auxiliary	signal
Tested according to	IEC/EN 60947-1, IEC/EN 60947-5-1	
Rated op. voltage U	240/415 V AC, 110/220 V DC	
Rated frequency	50/60 Hz	
Rated op. current I _o AC	5 A (240 V), 2 A (415 V)	
Rated op. current I _o DC	1 A (110 V), 0.25 A (220 V)	
Rated thermal current I _{th}	5 A	
Rated op. current I _o , ut. cat. AC-15	5 A (240 V), 2 A (415 V)	
Rated op. current I _o , ut. cat. DC-13	1 A (110 V), 0.25 A (220 V)	
Rated insulation voltage U _i	500 V	

Mechanical parameters

	AX21	AL21
Suitable for MCCBs size	M1, M2, M3, M4, M5, M6	M1, M2, M3, M4, M5, M6
Connection	equipped with connection wires	

Wiring diagrams



Technical Data Ex9M6 Accessories

Accessories for electronic Moulded Case Circuit Breakers Ex9M6

Shunt trip releases SHT26

General parameters

Remotely opens the breaker after supplying of control impulse

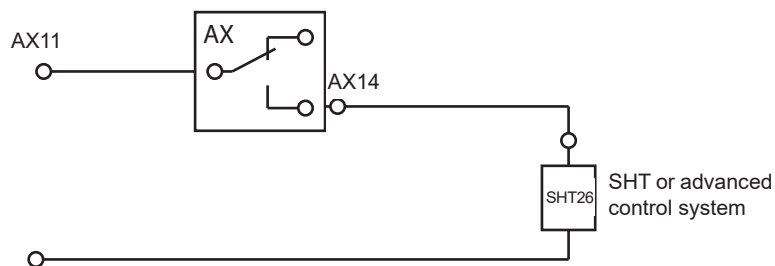
Operating voltage range 85-110 % of nominal value U_e . Maximum allowed control command length 2 s (can be blocked e.g. by means of NO auxiliary contact)

Electrical parameters

Operating voltage U_e	48 V AC 110 V AC 220-240 V AC 380-415 V AC 24 V DC 48 V DC 110 V DC 220 V DC
Operating threshold	70 - 110% U_e
Pick-up power time 100ms AC DC	200 VA 200 W
Power consumption AC DC	5 VA 5 W
Minimum duration of control impuls	0.2 s
Max. allowed duration of control impuls	2 s
Circuit breaker opening time	< 30 ms
Breaking time	50 ± 10 ms
Insulation voltage	415 V
Peak current	6 x I_n

Connection diagram for long control signals

In case external control circuit cannot assure not-exceeding of max. impuls duration, AX contact of NO configuration can be used for limiting (direct connection with SHT 230 or 400 V AC, signal to advanced control system in case of use of SHT for DC control voltages due to maximum allowed current of AX).



Technical Data Ex9M6 Accessories

Accessories for electronic Moulded Case Circuit Breakers Ex9M6

Shunt trip releases UVT26

General parameters

Opens the breaker when the voltage drops or power off to prevent the load from damage caused by undervoltage

The control power supply of UVT could be from the primary side of circuit breaker or from independent supply

The undervoltage release instantaneously opens the circuit breaker when its supply voltage drops to a value between 35 % and 70 % of its rated voltage

If the voltage is less than 35 % of supply voltage U_e , it is impossible to close the circuit breaker

Circuit breaker can be closed when the supply voltage of the release is 85 % - 110 % of supply voltage U_e

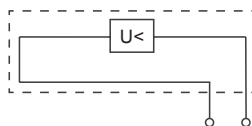
Electrical parameters

Operating voltage U_e	220 - 240 V AC 380 - 415 V AC
Operating threshold not close actuation closing	< 35 % U_e 35 - 70 % U_e 85 - 110 % U_e
Pick-up power	200 VA
Power consumption	50 VA
Accuracy	± 20 %
Insulation voltage	415 V

Mechanical parameters

	UVT26
Suitable for	Ex9M6
Connection	equipped with connection wires

Wiring diagrams



UVT26

Technical Data Ex9M6 Accessories

Accessories for electronic Moulded Case Circuit Breakers Ex9M6

Extended rotary handles ERH26

General parameters

Rotary handle with extension shaft

Scope of delivery: mechanism block, extension shaft, rotary handle

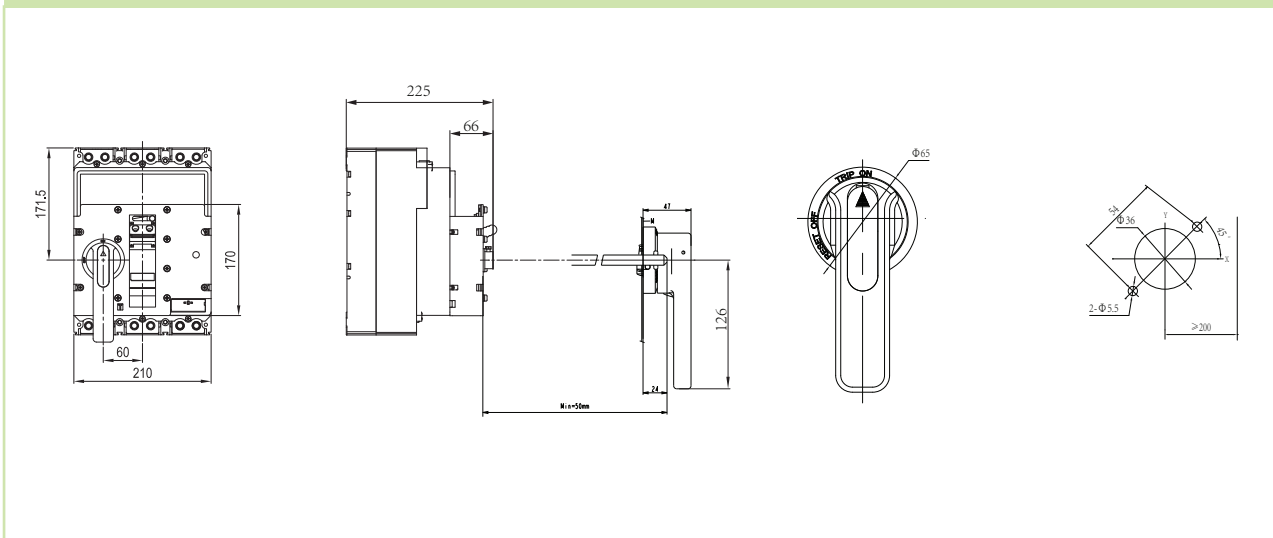
Can be locked in ON and OFF position with up to three padlocks (not in the scope of delivery)

Extension shaft can be shortened

Mechanical parameters

	ERH26
Suitable for	Ex9M6
Length of the extension shaft	150 mm min
Indication	connected breaker status ON-OFF-TRIP
Degree of protection	IP30
Mounting	directly onto breaker
Toggle colour	black

Dimensions



Technical Data Ex9M6 Accessories

Accessories for electronic Moulded Case Circuit Breakers Ex9M6

Extended handle LHD26

General parameters

Extended handle for easier operation of the device

Scope of delivery: mechanism locker, extended handle

Mechanical parameters

	LHD26
Suitable for	Ex9M6
Length of the extended toggle	172 mm min
Indication	connected breaker status ON-OFF-TRIP
Mounting	directly onto breaker
Toggle colour	grey

Dimensions

