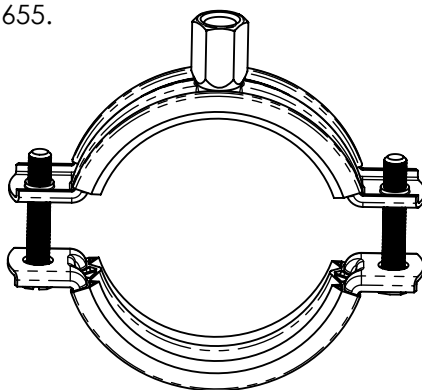


MFDS6

nVent CADDY Macrofix Stainless Steel Insulated M8/M10

Part Number	Article Number	Pipe Range	Rod Size	Wrench size for M8/M10 Nut	Wrench size for M6 screw	Tightening torque for M6 screw	RAL Product Load Rating *
MFD015S6	586301	11 – 15 mm, 8 DN	M8/M10	13mm	10mm	2 Nm	700 N
MFD019S6	586302	15 – 19 mm, 10 DN					
MFD025S6	586303	19 – 25 mm, 15 DN					
MFD031S6	586304	25 – 31 mm, 20 DN					
MFD037S6	586305	31 – 37 mm, 25 DN					
MFD044S6	586306	37 – 44 mm, 32 DN					
MFD050S6	586307	44 – 50 mm, 40 DN					
MFD058S6	586308	50 – 58 mm					
MFD068S6	586309	58 – 68 mm, 50 DN					
MFD078S6	586310	68 – 78 mm, 65 DN					
MFD088S6	586311	78 - 88 mm					1,700 N
MFD098S6	586312	88 – 98 mm, 80 DN					
MFD108S6	586313	98 – 108 mm, 90 DN					
MFD118S6	586314	108 - 118mm, 100 DN					
MFD128S6	586315	118 - 128 mm					
MFD138S6	586316	128 - 138 mm					
MFD148S6	586317	138-148 mm, 125 DN					
MFD160S6	586318	150 -160 mm					
MFD170S6	586319	160 - 170 mm, 150 DN					
MFD200S6	586320	190 - 200 mm					
MFD215S6	586321	205 - 215 mm					
MFD225S6	586322	215 - 225 mm, 200 DN					
			3,600 N				

* RAL Product Load Rating per RAL-GZ 655.



WARNING:

1. nVent products shall be installed and used only as indicated in nVent product instruction sheets and training materials. Instruction sheets are available at www.nVent.com and from your nVent customer service representative.
2. nVent products must never be used for a purpose other than the purpose for which they were designed or in a manner that exceeds specified load ratings.
3. All instructions must be completely followed to ensure proper and safe installation and performance.
4. Improper installation, misuse, misapplication or other failure to completely follow nVent's instructions and warnings may cause product malfunction, property damage, serious bodily injury and/or death, and void your warranty.
5. Products that are manufactured using spring steel components shall be used only in a non-corrosive indoor environment.
6. All pipe supports, hangers, intermediate components and structural attachments must ONLY be used as described herein and are NEVER to be used for any other purpose.

NOTE: All load ratings are for static conditions and do not account for dynamic loading such as wind, water or seismic loads, unless otherwise noted.

The customer is responsible for:

- a. Conformance to all governing codes.
- b. The integrity of structures to which the products are attached, including their capability of safely accepting the loads imposed, as evaluated by a qualified engineer.
- c. Using appropriate industry standard hardware as noted above.

SAFETY INSTRUCTIONS:

All governing codes and regulations and those required by the job site must be observed. Always use appropriate safety equipment such as eye protection, hard hat, and gloves as appropriate to the application.

nVent, nVent CADDY, nVent ERICO Cadweld, nVent ERICO Critec, nVent ERICO, nVent ERIFLEX, and nVent LENTON are owned by nVent or its global affiliates. All other trademarks are the property of their respective owners. nVent reserves the right to change specifications without prior notice.

TECHNICAL SUPPORT:
www.nVent.com

CFS556_F

1 OF 2

© 2016-2019 nVent All Rights Reserved



