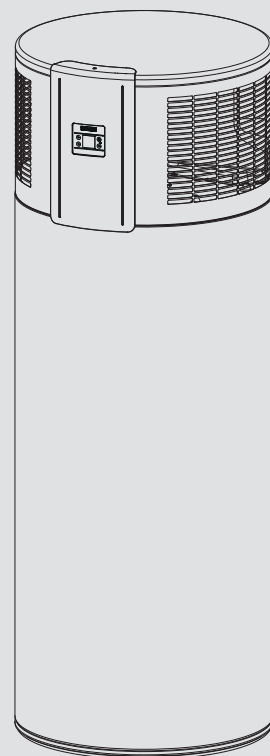


# OPERATION AND INSTALLATION UTILISATION ET INSTALLATION

DHW heat pump | Chauffe-eau thermodynamique

- » SHP-A 220 Plus
- » SHP-A 300 Plus
- » SHP-A 300 X Plus



**STIEBEL ELTRON**

# CONTENTS

## SPECIAL INFORMATION

### OPERATION

<b>1. General information</b>	<b>4</b>
1.1 Safety instructions	4
1.2 Other symbols in this documentation	4
1.3 Units of measurement	4
1.4 Standardised output data	4
<b>2. Safety</b>	<b>4</b>
2.1 Intended use	4
2.2 General safety instructions	5
2.3 Test symbols	5
<b>3. Appliance description</b>	<b>5</b>
3.1 Heat pump operating principle	6
3.2 DHW heating	6
3.3 Appliance operation outside the application limits	7
3.4 Defrosting	7
3.5 Frost protection	7
3.6 Minimum runtime and minimum pause time	7
3.7 Connection of an external signal transmitter	7
<b>4. Settings</b>	<b>8</b>
4.1 Display and controls	8
4.2 Settings	8
4.3 "Quick heat-up" key	10
4.4 Emergency shutdown	11
<b>5. Maintenance and care</b>	<b>11</b>
<b>6. Troubleshooting</b>	<b>12</b>

### INSTALLATION

<b>7. Safety</b>	<b>14</b>
7.1 General safety instructions	14
7.2 Instructions, standards and regulations	14
<b>8. Appliance description</b>	<b>14</b>
8.1 Standard delivery	14
8.2 Required accessories	14
8.3 Additional accessories	14
<b>9. Preparation</b>	<b>14</b>
9.1 Transport	14
9.2 Storage	15
9.3 Installation site	15
9.4 Siting the appliance	16
<b>10. Installation</b>	<b>17</b>
10.1 Water connection	17
10.2 SHP-A 300 X Plus: Connection of an external heat generator	18
10.3 Condensate drain	18
10.4 Electrical connection	18
10.5 Assembling the appliance	21
<b>11. Commissioning</b>	<b>21</b>
11.1 Initial start-up	21
11.2 Recommissioning	21

<b>12. Settings</b>	<b>22</b>
<b>13. Appliance shutdown</b>	<b>22</b>
<b>14. Troubleshooting</b>	<b>22</b>
14.1 Fault codes	23
14.2 Resetting the high limit safety cut-out	24
14.3 Motor overload relay	24
<b>15. Maintenance and cleaning</b>	<b>24</b>
15.1 Removing the appliance cover	24
15.2 Removing the casing ring	25
15.3 Clean the evaporator.	25
15.4 Drain cylinder	25
15.5 Descaling the electric emergency/booster heater	26
15.6 Protective anode	26
15.7 Valves	26
15.8 Condensate drain	26
15.9 Replacing the power cable	26
15.10 Fitting the casing ring	26
15.11 Fitting the appliance cover	26
<b>16. Specification</b>	<b>27</b>
16.1 Dimensions and connections	27
16.2 Wiring diagram	30
16.3 Fault conditions	31
16.4 Data table	31
16.5 Appliance parameters	33

### GUARANTEE

### ENVIRONMENT AND RECYCLING

# SPECIAL INFORMATION

- The appliance may be used by children aged 8 and older and persons with reduced physical, sensory or mental capabilities or a lack of experience and know-how, provided that they are supervised or they have been instructed on how to use the appliance safely and have understood the potential risks. Children must never play with the appliance. Children must never clean the appliance or perform user maintenance unless they are supervised.
- Observe all applicable national and regional regulations and instructions during installation.
- The appliance is not approved for outdoor installation.
- Observe the minimum clearances (see chapter "Installation / Preparations / Siting the appliance").
- Observe the requirements concerning the installation room (see chapter "Specification / Data table").
- If the appliance is permanently connected to the power supply, ensure that the appliance can be separated from the power supply by an isolator that disconnects all poles with at least 3 mm contact separation. Contactors, circuit breakers or fuses can be used for this.
- Observe the safety measures to prevent contact with dangerous 'live' currents.
- Observe the fuse protection required for the appliance (see chapter "Specification / Data table").
- The power cable must only be replaced (for example if damaged) with an original spare part by a qualified contractor authorised by the manufacturer (connection type X).
- The appliance's DHW cylinder is pressurised. During the heat-up process, expansion water will drip from the safety valve.
- Regularly activate the safety valve to prevent it from becoming blocked, e.g. by limescale deposits.
- Drain the appliance as described in chapter "Installation / Maintenance and cleaning / Draining the cylinder".
- Install a type-tested safety valve in the cold water supply line.
- The maximum pressure in the cold water supply line must be at least 20 % below the response pressure of the safety valve. If the maximum pressure in the cold water supply line is higher, install a pressure reducing valve.
- Size the drain so that water can drain off unimpeded when the safety valve is fully opened.
- Fit the discharge pipe of the safety valve with a constant downward slope and in a room free from the risk of frost.
- The safety valve discharge aperture must remain open to atmosphere.

# OPERATION

## 1. General information

The chapters “Special information” and “Operation” are intended for both users and qualified contractors.

The chapter “Installation” is intended for qualified contractors.



### Note

Read these instructions carefully before using the appliance and retain them for future reference. Pass on the instructions to a new user if required.

### 1.1 Safety instructions

#### 1.1.1 Structure of safety instructions



#### KEYWORD Type of risk

Here, possible consequences are listed that may result from failure to observe the safety instructions.

► Steps to prevent the risk are listed.

#### 1.1.2 Symbols, type of risk

Symbol	Type of risk
	Injury
	Electrocution
	Burns (burns, scalding)

#### 1.1.3 Keywords

KEYWORD	Meaning
DANGER	Failure to observe this information will result in serious injury or death.
WARNING	Failure to observe this information may result in serious injury or death.
CAUTION	Failure to observe this information may result in non-serious or minor injury.

### 1.2 Other symbols in this documentation



### Note

General information is identified by the adjacent symbol. ► Read these texts carefully.

Symbol	Meaning
	Material losses (appliance damage, consequential losses and environmental pollution)

Symbol	Meaning
	Appliance disposal

► This symbol indicates that you have to do something. The action you need to take is described step by step.

□ □ ■ These symbols show you the software menu level (in this example level 3).

### 1.3 Units of measurement



### Note

All measurements are given in mm unless stated otherwise.

### 1.4 Standardised output data

Information on determining and interpreting the specified standardised output data

#### Standard: EN 16147

The output data specifically mentioned in text, diagrams and technical datasheets has been calculated according to the test conditions of the standard shown in the heading of this section. Generally, these standardised test conditions will not fully meet the conditions found at the installation site of the system user.

Depending on the chosen test method and the extent to which this method deviates from the conditions defined in the norm shown in the heading of this section, any deviations can have a considerable impact. Additional factors that have an influence on the test values are the measuring equipment, the system configuration, the age of the system and the flow rates.

A confirmation of the specified output data can only be obtained if the conditions applicable to the relevant test match those of the standard shown in the heading of this chapter.

## 2. Safety

### 2.1 Intended use

The purpose of this appliance is to heat domestic hot water within the application limits stated in the chapter “Specification / data table”.

The appliance is intended for domestic use. It can be used safely by untrained persons. The appliance can also be used in non-domestic environments, e.g. in small businesses, as long as it is used in the same way.

Any other use beyond that described shall be deemed inappropriate. Observation of these instructions and of the instructions for any accessories used is also part of the correct use of this appliance.



## 2.2 General safety instructions

The appliance should only be operated once it is fully installed and all safety equipment has been fitted.



### WARNING Injury

The appliance may be used by children aged 8 and older and persons with reduced physical, sensory or mental capabilities or a lack of experience and know-how, provided that they are supervised or they have been instructed on how to use the appliance safely and have understood the potential risks. Children must never play with the appliance. Children must never clean the appliance or perform user maintenance unless they are supervised.



### WARNING Electrocutation

Contact with live components presents a threat to life. Damage to the insulation or to individual components may result in a threat to life.

► If there is damage to the insulation, switch off the power supply and arrange a repair.

All work on the electrical installation must be carried out by a qualified contractor.



### WARNING Burns

The water in the DHW cylinder can be heated to temperatures in excess of 60 °C. There is a risk of scalding at outlet temperatures in excess of 43 °C.

► Ensure you do not come into contact with the water when discharged.



### WARNING Burns

Touching hot components can lead to burns.

► When working on hot components, always wear protective working clothing and safety gloves.

The pipework connected to the DHW outlet of the appliance can reach temperatures in excess of 60 °C.



### WARNING Burns

In the case of a fault, temperatures up to the high limit safety cut-out limit can occur (see "Specification / Data table" chapter).



### WARNING Burns

The appliance is filled with refrigerant at the factory. In the event of refrigerant escaping due to a leak, avoid coming into contact with the refrigerant or inhaling the released vapours. Ventilate the rooms affected.



### WARNING Electrocutation

Never operate the appliance when the casing is open or without a cover.



### CAUTION Injury

If objects are left on the appliance, noise emissions may increase due to resulting vibrations, and the objects could fall and cause injury.

► Never place any objects on top of the appliance.



### Material losses

Ensure that the appliance, water pipes and safety valves are free from the risk of frost. If you disconnect the appliance from the power supply, it is no longer protected against frost or corrosion.

► Never interrupt the power supply to the appliance. If voltage is supplied to the impressed current anode and the PCB separately, the appliance remains protected against corrosion.



### Material losses

Keep the appliance installation site free from air contaminated with oil or salt (chloride) and corrosive or explosive substances. Avoid contaminating the installation site with dust, hairspray or substances containing chlorine or ammonia.



### Material losses

Covering the air intake or air discharge leads to a reduced air supply. If the air supply is restricted, the operational reliability of the appliance cannot be guaranteed.

► Never cover the appliance.



### Material losses

Only operate the appliance when the DHW cylinder has been filled. If the DHW cylinder is empty, safety equipment switches off the appliance.



### Material losses

Heating liquids other than potable water is not permitted.



### Note

The appliance's DHW cylinder is pressurised. During the heat-up process, expansion water will drip from the safety valve.

► If water continues to drip when heating is completed, please inform your qualified contractor.

## 2.3 Test symbols

See type plate on the appliance.

## 3. Appliance description

The fully wired appliance enables DHW to be supplied efficiently to several draw-off points using renewable energy. The appliance extracts heat from the intake air. This heat is used to heat up the water in the DHW cylinder with added electric power. The amount of electric energy and time required to heat up the DHW depend on the temperature of the air drawn in. When the air intake temperature drops, the heat pump's heating output is reduced and the heat-up time is extended.

The appliance is designed for indoor installation. The appliance operates in recirculation air mode and does not require outdoor air.

Heat extraction can result in a drop in ambient temperature in the installation room of between 1 °C and 3 °C. The appliance also extracts moisture from the air, which turns into condensate. The condensate is removed from the appliance via the condensate drain.

## Appliance description

The appliance has an electronic control unit with LC display. You can select the available amount of mixed water at a temperature of 40 °C, for example. The electronic control unit makes energy saving adjustments easier. Subject to the power supply and user draw-off patterns, the water is heated automatically to the selected set temperature.

External signal transmitters can be integrated via the built-in contact input, e.g. a photovoltaic system to make use of solar power generated on site.

When a hot water draw-off point is opened, the hot DHW is pushed out of the appliance by the inflow of cold water.

The heat pump drive unit is fitted in the upper section of the appliance. The DHW cylinder is located in the lower section of the appliance. To protect against corrosion, the DHW cylinder is coated internally with special enamel and is additionally equipped with an impressed current anode.



### Material losses

If you disconnect the appliance from the power supply, it is no longer protected against frost or corrosion.

- ▶ Never interrupt the power supply to the appliance.

### Available amount of DHW

The appliance's nominal maximum available amount of DHW is designed for the recommended number of users with average user behaviour.

If the amount of DHW is insufficient despite compliance with the recommended number of users, this may be due to the following:

- The individual DHW demand is above average.
- The DHW circulation line installed as an additional option is inadequately insulated.
- The DHW circulation pump is not controlled according to temperature or time.

### 3.1 Heat pump operating principle

A closed circuit within the appliance contains refrigerant (see "Specification/Data table"). This refrigerant evaporates at low temperatures.

In the evaporator, which extracts heat from the air drawn in, the refrigerant changes from a liquid into a gaseous state. A compressor draws in the gaseous refrigerant and compresses it. This increase in pressure raises the refrigerant temperature. This requires electrical energy. The energy (motor heat) is not lost, but reaches the downstream condenser together with the compressed refrigerant. There, the refrigerant indirectly transfers heat to the DHW cylinder. An expansion valve then reduces the still prevalent pressure and the cycle starts again.



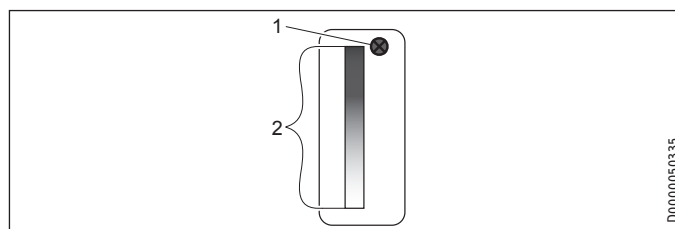
### Note

Following an interruption of the power supply, the compressor operation remains blocked for at least one minute. The PCB delays electronic starting by a minute, during which the appliance goes through its initialising process.

If the compressor subsequently fails to start, it may be locked out by additional safety devices (motor overload relay or high pressure switch). This block should lift after 1 to 10 minutes.

After the power supply has been re-established, the appliance continues to operate with the parameters that were selected before the power supply was interrupted.

### 3.2 DHW heating



- 1 Cylinder top sensor
- 2 Integral sensor

The appliance is equipped with two temperature sensors.

- The cylinder top sensor captures the water temperature in the upper section of the cylinder.
- The integral sensor is a temperature sensor affixed over the entire cylinder height. The integral sensor determines the average cylinder temperature.

The appliance display indicates the temperature in the upper section of the cylinder, which is captured by the cylinder top sensor. The appliance control unit uses the average cylinder temperature captured by the integral sensor.

DHW heating is started when the available mixed water volume decreases to the percentage of maximum mixed water volume set in the "Charge level" parameter.

The temperature captured by the sensor at the cylinder top may still correspond to the set temperature.

For information on the heat-up time, see chapter "Specification". The calculation of the available amount of mixed water is based on the average cylinder temperature. The amount of mixed water is only calculated if the water temperature in the upper section of the cylinder is higher than 40 °C.

DHW is normally heated by the heat pump of the appliance within the application limits (see chapter "Specification / Data table").

### Electric emergency/booster heater

In the event of an appliance fault, the electric emergency/booster heater can be activated in emergency heating mode, provided a flashing fault key is displayed. See chapter "Settings / 'Rapid heat-up' key / Emergency heating mode".

## OPERATION

# Appliance description

In the event of a higher hot water demand on a single occasion, use the rapid heat-up key to activate the emergency/booster heater manually for one-off heat-up in addition to the heat pump. See chapter "Settings / 'Rapid heat-up' key / Rapid/comfort heating".

### SHP-A 300 X Plus: Connection of an external heat generator



#### Material losses

Even if an external heat generator is connected, do not disconnect the appliance from the power supply as otherwise it is not protected against frost and corrosion. The power supply must not be interrupted even in winter, when it is possible that DHW heating is only being provided via the external heat generator.

The appliance is equipped with an integral smooth tube heat exchanger to which an external heat generator can be connected (e.g. a solar thermal system or central heating system). The DHW cylinder has sensor wells available for this in various positions. Once during commissioning, the qualified contractor must match the controls between the appliance and the external heat generator.

### 3.3 Appliance operation outside the application limits

► To guarantee fault-free operation of the appliance, make sure you operate the appliance within its application limits (see chapter "Specification / Data table").

#### 3.3.1 Application limits for heat pump operation

##### Ambient temperatures below the application limit

At temperatures below the lower application limit hoar frost may form on the evaporator depending on the air humidity and water temperature. If hoar frost forms on the evaporator, the hoar frost temperature monitor switches the heat pump compressor off. The compressor switches on automatically once the evaporator has defrosted.



#### Note

Heat-up times are longer while the evaporator is defrosting.

##### Ambient temperatures above the application limit

The safety equipment switches the appliance off if the upper application limit is exceeded. Following a cooling time of several minutes the appliance is switched back on automatically. The appliance is switched off again if the ambient temperature rises above the permissible temperature value again.

### 3.4 Defrosting

Low air intake temperatures may result in the formation of hoar frost on the evaporator, subject to relative humidity and DHW temperature. The appliance is equipped with an electronic defrost monitor. DHW heating is interrupted during the defrosting process. The appliance switches off the compressor during the defrosting process. The fan continues to run. The defrosting process is shown on the appliance display.

A maximum defrost time is stored in the appliance. If the maximum defrost time is exceeded, the appliance stops the defrosting process and releases the electric emergency/booster heater.



#### Note

Heat-up times are longer while the evaporator is defrosting.



#### Note

The appliance starts the defrosting process as soon as the compressor runtime reaches the "Defrost required" time span stored in the appliance.

### 3.5 Frost protection

The appliance activates a frost protection function if the temperature captured by the integral sensor is below a certain limit. See chapter "Specification / Appliance parameters". The appliance then heats the water by means of the heat pump and the electric emergency/booster heater. The heat pump and electric emergency/booster heater switch off when the temperature captured by the integral sensor reaches 18 °C.

### 3.6 Minimum runtime and minimum pause time



#### Material losses

When operating with external switching devices that can interrupt the power supply to the appliance, such as time switches, energy management systems or home automation systems, must adhere to the following conditions:

- The minimum ON time is 60 minutes.
- The minimum pause time following a shutdown is 20 minutes.
- The appliance should not be switched on/off more than 10 times per day.
- The breaking capacity of the switching actuator must meet the fuse protection requirements (see chapter "Specification / Data table").

### 3.7 Connection of an external signal transmitter



#### Note

This type of connection must only be carried out by a qualified electrician.

External signal transmitters can be integrated via the built-in contact input, e.g. a PV system to make use of solar power generated on site.

The appliance has a second set temperature preselected at the factory. This is activated in the event of an external switching signal. Set temperature 2 is higher ranking than the standard set temperature while there is an external switching signal. Following a one-off activation (signal is present for at least 1 minute), set temperature 2 applies for at least 20 minutes and is ranked higher than set temperature 1.

You can change set temperature 2 on the appliance (see chapter "Settings/Settings/Set temperature 2").

# OPERATION

## Settings

### 4. Settings

#### 4.1 Display and controls



##### Note

15 seconds after every operation, the appliance automatically reverts to the default display (amount of mixed water) and saves the set value.



- 1 Display
- 2 "Plus" key
- 3 "Minus" key
- 4 "Quick heat-up" key
- 5 "Menu" button

##### 4.1.1 Symbols

Symbol	Description
	Mixed water volume: The currently available amount of mixed water at 40 °C and at 15 °C cold water temperature is shown.
	Actual temperature: The current actual temperature is shown. The actual temperature indicates the temperature in the upper section of the DHW cylinder and therefore largely corresponds to the outlet temperature.
	Set temperature
	External signal transmitter: Set temperature 2 is the DHW temperature to which the appliance regulates if an external signal transmitter is connected and active.
	Standby: The symbol flashes, if the appliance PCB and load (compressor) are separately supplied with voltage. This connection option is required, if the appliance is to be operated via switchable sockets in an energy management system (see "Electrical connection" chapter) for example.
	electric emergency/booster heater: This symbol indicates the presence of a demand on this component. This symbol being displayed does not necessarily mean that the electric emergency/booster heater is in operation.
	Heat pump: This symbol indicates the presence of a demand on this component. This symbol being displayed does not necessarily mean that the compressor is running.
	Defrost active
	Service/fault: If the "service/fault" symbol appears on the display, inform your qualified contractor. Continuous illumination of the symbol indicates that the fault is not preventing appliance operation. A flashing "Service/fault" symbol indicates that water is not being heated and that it is essential you notify your qualified contractor. Switching the appliance to emergency mode is a special case. The electric emergency/booster heater will then heat the water despite the flashing "service/fault" symbol.

The symbols for electric emergency/booster heater and heat pump are displayed when there is a demand for these appliance components. These symbols being displayed does not necessarily mean that the electric emergency/booster heater and the heat pump are running. Example: The appliance is in "rapid/comfort heating" mode. The electric emergency/booster heater switches off when the temperature in the upper cylinder section has reached 65 °C. The heat pump has not yet heated the lower section to 65 °C and the "rapid/comfort heating" function has therefore not yet terminated. The "electric emergency/booster heater" symbol is displayed until the rapid/comfort heating has terminated.

#### 4.2 Settings

##### ■ Menu

In default display mode, the display shows the amount of mixed water.



The "Menu" key allows you to call up all information and adjustment options in sequence. The relevant symbol appears.

- "Mixed water volume" display
- "Actual temperature" display
- Set temperature 1
- Set temperature 2
- Changing units
- Charging level
- Fault code
- E fault code

##### ■ "Mixed water volume" display



The currently available amount of mixed water at 40 °C and at 15 °C cold water temperature is shown.



"-- L" is shown if less than 10 l mixed water is available.

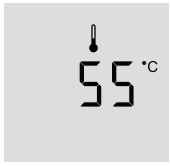
DHW demand for	Mixed water volume at 40 °C
Bath	120-150 l
Showers	30-50 l
Washing hands	2-5 l

The amount of mixed water that can be achieved depends on the cylinder capacity and the set temperature selected.

# OPERATION

## Settings

### Actual temperature display



In the "Mixed water volume" menu, press "Menu" once to access the "Actual temperature" menu.

The "Actual temperature" symbol appears.

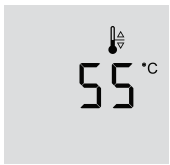
The current actual temperature is shown. The actual temperature indicates the temperature in the upper section of the DHW cylinder and largely corresponds to the outlet temperature.

### Set temperature 1



**Note**  
For hygiene reasons, never set the DHW temperature below 50 °C.

Set temperature 1 is the DHW temperature to which the appliance regulates if no external signal transmitter is connected and active.



In the "Actual temperature" menu, press "Menu" once to access the "Set temperature 1" menu.

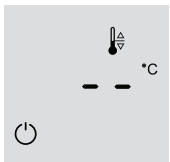
"Set temperature 1" symbol appears.

You can change the value using the "Plus" and "Minus" keys. Setting range: 20 - 65 °C



**Note**  
Another way to adjust set temperature 1 is to press the "Plus" or "Minus" keys from within the default display (mixed water volume).

### Frost protection



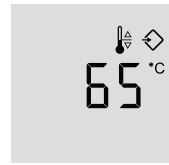
Only frost protection remains active if you set the set temperature to below 20 °C using the "Minus" key. The display shows "-- °C".

### Set temperature 2



**Note**  
For hygiene reasons, never set the DHW temperature below 50 °C.

Set temperature 2 is the DHW temperature to which the appliance regulates if an external signal transmitter is connected and active.



In the "Set temperature 1" menu, press "Menu" once to access the "Set temperature 2" menu. The "External signal transmitter" symbol appears.

You can change the value using the "Plus" and "Minus" keys. Setting range: 20 - 65 °C



### Operation with external signal transmitter



#### Material losses

See "Permissible voltage range for external signal transmitters" in the "Specification/data table" chapter.

As standard, the appliances feature the ability to assign a specific, individual set DHW temperature ("set temperature 2") to a connected external signal transmitter, such as a PV system or a low tariff transmitter. This set temperature 2 is activated if the terminal connected to the external signal transmitter receives a signal (see "Electrical connection/external signal transmitter connection option" chapter). While activated, set temperature 2 replaces the standard set DHW temperature (set temperature 1).

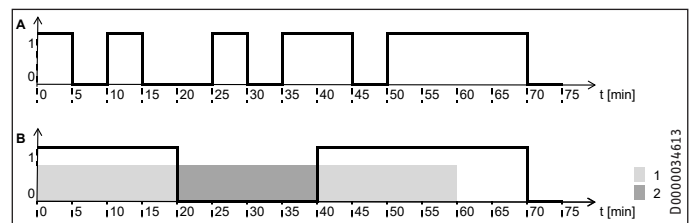
If set temperature 2 is activated by the external signal transmitter, this set temperature will then be active for at least 20 minutes. If the external signal remains active after the 20 minutes have passed, the compressor will run until the external signal drops out or set temperature 2 is reached. Afterwards, the selected set temperature 1 is activated again.

When the relevant DHW set temperature has been reached, the compressor switches off and remains off for a minimum idle time of 20 minutes.

The following diagram illustrates the connections by means of a sample signal sequence from an external signal transmitter.

Example:

Water temperature	°C	55
Set temperature 1	°C	50
Set temperature 2	°C	65



A External signal

B Compressor

- 20 min. minimum runtime, set temperature 2
- 20 min. minimum compressor idle time



# OPERATION

## Settings

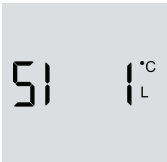


### Note

An external signal must be present for at least 60 seconds before the control unit responds to it. This will for example prevent a brief burst of sunshine from triggering a heat-up process, which due to a lack of further insolation can then not be supplied with PV power generated on site.

### Changing units

You can select whether the temperatures and the volume details are displayed in SI units or US units. If you select 1, the values are displayed in degrees Celsius and litres. If you select 0, the values are displayed in degrees Fahrenheit and gallons.



Press the "Menu" key until "SI" appears in the display.

Using the "Plus" and "Minus" keys, set whether the display should use SI units (1) or US units (0).

### Charging level

If the minimum available mixed water volume at the selected set temperature is insufficient, you can reduce the reheating hysteresis by increasing the charge level. This increases the minimum DHW volume available. The effect equates to a virtual downward shifting of the temperature sensor. This results in greater DHW convenience. The efficiency of the appliance is slightly impaired.

DHW heating is started when the available mixed water volume decreases to the percentage of maximum mixed water volume set in the "Charge level" parameter.

		Factory setting
Charging level	%	40

The displayed mixed water volume is based on a mixed water temperature of 40 °C. At water temperatures below 40 °C (±1 K), the mixed water volume is not calculated or displayed.

A further start condition, which overlaps the heat-up level start conditions, is the reduction of the temperature captured by the sensor at the cylinder top to 6 K below the active set temperature.



Press the "Menu" key, until an "L" followed by a number appears in the display.

You can change the value using the "Plus" and "Minus" keys. Setting range: 30 - 100 %

### Fault code



If the "Service/fault" symbol illuminates or flashes, you can query the fault code using the "Menu" key. This menu remains disabled if no fault has arisen.

See chapter "Troubleshooting / Fault codes".

### E fault code

A fault code preceded by E appears if the fault relates to the refrigerant circuit. Notify a qualified contractor.

## 4.3 "Quick heat-up" key



### Note

To start rapid/comfort heating with the "Rapid heat-up" key, the start screen must be displayed.



Press the "Rapid heat-up" key for two seconds.

The "heat pump" and "electric emergency/booster heater" symbols appear.

### 4.3.1 Quick/comfort heat-up

Normally, the "Rapid heat-up" key is used to enable rapid/comfort heating, which lets you cover an unexpectedly high DHW demand without changing any of the appliance's standard settings.

If quick/comfort heat-up is activated manually by pressing the relevant key, the heat pump and the electric emergency/booster heater will start in parallel, irrespective of the selected set temperature, and will remain active until the DHW temperature in the cylinder has reached 65 °C.

If the water temperature in the upper cylinder section rises by a hysteresis value above the set temperature on the cylinder top sensor, the electric emergency/booster heater is switched off. The electric emergency/booster heater remains in standby mode until the set temperature has been reached throughout the DHW cylinder. A flashing "electric emergency/booster heater" symbol indicates that the electric emergency/booster heater is in standby mode.

The rapid/comfort heating function remains active until a temperature of 65 °C has been achieved throughout the DHW cylinder (comfort heating). The appliance then automatically switches back to the previously set parameters.



### Note

The "electric emergency/booster heater" and "heat pump" symbols are displayed until the rapid/comfort heating terminates.



### Note

To end rapid/comfort heating, press the "Rapid heat-up" key for two seconds.

4.3.2 Emergency mode

If the appliance is faulty, you can use the emergency mode to activate the electric emergency/booster heater.

Following a DHW demand, the appliance checks the temperature increase every 15 minutes. If the temperature increase is <math><0.25\text{ }^\circ\text{C}</math> during each measurement interval until the end of the maximum temperature increase time (see "Specification" chapter), the appliance switches off the compressor. The "service/fault" symbol flashes on the display and a fault code indicates that the appliance is not heating.



Press the "Rapid heat-up" key for two seconds.

The "electrical emergency/booster heater" symbol appears. Service/fault symbol flashes.

After the "Quick heat-up" key has been pressed, the indicated fault code increments by a value of 256, as the fault codes are added together (see fault code table in the "Troubleshooting" chapter). "Service/fault" symbol continues flashing. The electric emergency/booster heater is activated.

The current set temperature (set temperature 1 or set temperature 2) is ignored. In emergency heating mode, the appliance operates with a fixed set temperature. In the upper cylinder section, the DHW is heated up to 65 °C by the electric emergency/booster heater.

Following one-time enabling of this function by means of the "Quick heat-up" key, this function remains enabled for 7 days.

Following 7 days of emergency operation the electric emergency/booster heater is disabled. The fault code shown on the display decrements by 256.

If you press the "Rapid heat-up" key again for two seconds within the 7 days of emergency heating mode, the 7-day runtime for emergency heating mode will restart.

If the 7-day runtime for emergency heating mode has expired, you can restart emergency heating mode for a further 7 days by pressing "Rapid heat-up".

Pressing the "Quick heat-up" key only enables emergency mode if an error with fault code 8 occurred previously. In standard mode pressing the "Quick heat-up" key only triggers one-time heat-up of the DHW cylinder.

Emergency mode is disabled by an interruption of the power supply. The appliance tries again to heat with the heat pump. You can avoid having to wait until the temperature increase time has elapsed (see "Specification" chapter) by starting manual emergency heating mode.

Manual emergency heating mode

If a fault has occurred and no fault code is displayed, you can activate emergency heating mode.



Keep the "Plus" and "Minus" buttons pressed. In addition, press the "Menu" button and keep all three buttons pressed for 5 seconds.

The "electrical emergency/booster heater" symbol appears. Service/fault symbol flashes.

4.4 Emergency shutdown

In the event of an emergency, carry out the following steps:

- ▶ Interrupt the power supply by unplugging the appliance from the mains or by tripping the MCB.
- ▶ Shut off the cold water supply.
- ▶ Immediately notify a qualified contractor, as the appliance is not protected against corrosion while the power supply is interrupted.

5. Maintenance and care

**WARNING Electrocutation**  
 Only clean the exterior of the appliance. Never open the appliance. Do not insert objects through the grille into the interior of the appliance.  
 Never spray the appliance with water.  
 Never spray water into the appliance.

**WARNING Injury**  
 Maintenance work, such as checking electrical safety, must only be carried out by a qualified contractor.

Appliance components	Care and maintenance tips
Casing	Use a damp cloth to clean the casing sections. Never use abrasive or corrosive cleaning agents.
Air intake grille / air discharge grille	Clean the air intake grille and air discharge grille every six months. Cobwebs or other kinds of contamination can restrict the air supply to the appliance.
DHW cylinder	The DHW cylinder is equipped with a maintenance-free impressed current anode to safeguard it against corrosion. The power supply must not be interrupted while the appliance is filled with water to enable the impressed current anode to provide protection. Otherwise there is a risk of corrosion.
Electric emergency/booster heater	Have the electric emergency/booster heater descaled from time to time. This will extend the service life of the electric emergency/booster heater.
appliance	Have the safety assembly and the evaporator checked regularly by a qualified contractor.
Condensate drain	Undo the condensate drain. Check that the condensate drain is clear and remove any dirt from the condensate drain connection.

Scaling

Almost every type of water will deposit limescale at high temperatures. This settles inside the appliance and affects both performance and service life. A qualified contractor who knows the local water quality will tell you when the next service is due.

# Troubleshooting

- ▶ Check the taps regularly. Limescale deposits at the tap outlets can be removed using commercially available descaling agents.
- ▶ Regularly activate the safety valve to prevent it from becoming blocked, e.g. by limescale deposits.

## 6. Troubleshooting



**Note**

At various points, reference is made to the appliance parameters. See chapter "Specification".

Fault	Cause	Remedy
No hot water is available.	No power at the appliance. A fuse/MCB in the fuse box has blown/tripped.	Check that the appliance is connected to the power supply. Check whether the fuses/MCBs in your fuse box have blown/tripped. If required, disconnect the appliance from the power supply and replace the fuses/reset the MCBs. Contact your qualified contractor if the fuse/MCB blows/trips again after the appliance is re-connected to the power supply.
	The appliance output data are calculated according to standard, using the intake temperature specified in the data table. Below this temperature the appliance efficiency and output decrease. The heat-up time is extended.	No action required.
The safety valve of the DHW cylinder is dripping.	The appliance cylinder is at mains water pressure. During heat-up, expansion water may drip from the safety valve.	Notify a qualified contractor if water continues to drip when heat-up has been completed.
The condensate drain drips.	The surface temperature of the evaporator is lower than the dew point temperature of the ambient air. Condensate forms.	The amount of condensate depends on the humidity level of the ambient air.
The room temperature drops.	operation of the appliance can cause the room temperature to fall by 1 to 3 °C, as the appliance extracts energy from the air.	If the room temperature falls by more than 5 °C, check the room size (see the "Specification / Data table" chapter). Supplying energy by opening a door to another room will remedy this.
High power consumption	The lower the intake temperature, the lower the heat pump efficiency.	Where possible, avoid high set temperatures and the use of rapid heat-up.
Service/fault symbol is permanently on.	See the "Fault codes" chapter.	Notify a qualified contractor. A permanently lit "service/fault" symbol indicates that a fault has occurred, but the heat pump is heating nevertheless.
Service/fault symbol flashes and the water does not heat up.	See the "Fault codes" chapter.	It is imperative that you notify a qualified contractor quickly. A flashing "service/fault" symbol indicates that a fault has occurred and the heat pump is no longer heating.
Defrost symbol is shown.	The appliance is in defrost mode.	No action required.


Fault	Cause	Remedy
The heat pump symbol is flashing.	There is a heat demand, but the compressor is locked out.	No action required. The compressor restarts automatically after the compressor lockout time has elapsed. The symbol stops flashing automatically.
The electric emergency/booster heater symbol is flashing.	A temperature controller has switched off the electric emergency/booster heater during rapid heat-up.	No action required. The appliance continues the quick heat-up process using the heat pump. The symbol stops flashing when the controller re-enables the electric emergency/booster heater. The symbol goes out when the temperature throughout the DHW cylinder reaches the set rapid heat-up temperature.
The electric emergency/booster heater symbol is illuminated but the electric emergency/booster heater is not operational.	The electric emergency/booster heater lights up when there is a demand. The internal controller of the electric emergency/booster heater may have ended electric heating. A possible cause may be a fault in the electric emergency/booster heater. A possible cause may be that the high limit safety cut-out has responded.	Have a qualified contractor check whether the controller of the electric emergency/booster heater is set correctly. The controller must be turned fully anti-clockwise. Have a qualified contractor check the high limit safety cut-out.

**Fault code**

You can call up a fault code if the Service/fault symbol is flashing or continuously lit on the display.




Keep pressing "Menu" until the fault code appears.

		Fault description	Remedy
2	permanently on	The sensor at the cylinder top is faulty. The actual temperature display switches from the cylinder top sensor to the integral sensor. The appliance continues to heat without any loss of comfort. The mixed water volume cannot be calculated and is displayed as "- -".	Notify a qualified contractor.
4	permanently on	The integral sensor is faulty. In the event of a faulty integral sensor, the integral sensor is set to the value of the sensor at the cylinder top, and amount of mixed water is calculated using this value. The appliance continues to heat with a reduced start hysteresis. A mixed water volume is still calculated, based on the assumption that the cylinder top temperature is reached throughout the DHW cylinder.	Notify a qualified contractor.



# OPERATION

## Troubleshooting

		Fault description	Remedy
6	flashing	The sensor at the cylinder top and the integral sensor are faulty. The appliance no longer delivers heat.	Notify a qualified contractor.
8	flashing	The appliance has ascertained that the DHW cylinder has not been heated within the maximum temperature increase time, despite there being a demand.	You can temporarily continue to use the appliance by pressing the "Rapid heat-up" key to activate emergency heating mode. See chapter "Appliance description / Emergency mode".
16	permanently on	A short circuit of the impressed current anode has occurred or the protective anode is faulty.	Immediately notify a qualified contractor, as the appliance is not protected against corrosion if the impressed current anode is faulty.
32	flashing	The appliance is being operated with a partially filled DHW cylinder. The appliance does not heat up.	Fill the appliance's DHW cylinder. The fault code disappears and the appliance starts.
		The anode current is interrupted. The appliance does not heat up.	Notify a qualified contractor.
64	permanently on	The defrost temperature has not yet been reached after the maximum defrost time has lapsed. The compressor is faulty.	The fault is reset automatically once the evaporator temperature has risen to the defrost end temperature.
		The temperature of the intake air is below the lower application limit.	Wait for higher ambient temperatures. Ensure that values do not fall below the application limit.
128	permanently on	There is no communication between the controller and the programming unit. The most recently selected set values are active. The appliance continues to deliver heat.	Notify a qualified contractor.
256	flashing	Manually activated emergency mode (only electric emergency/booster heater enabled)	See chapter "Appliance description / Emergency mode".
E 2	flashing	The temperature sensor on the evaporator is faulty.	Notify a qualified contractor.
E 16	permanently on	The high pressure limiter has responded. Compressor heating mode is temporarily blocked. Compressor heating mode will continue as soon as the pressure has normalised.	Wait until the pressure has normalised.
E 32	permanently on	An electrical fault has occurred.	Notify a qualified contractor.
E 64	flashing	Evaporator temperature < minimum evaporator temperature	Notify a qualified contractor.
E 128	flashing	A permanent pressure switch fault has occurred. A pressure fault occurred multiple times within a defined pressure fault evaluation time.	Notify a qualified contractor.

If several faults occur, the fault codes are added up.

Example: If both the cylinder top sensor and the integral sensor are faulty, the display shows fault code 6 (= 2+4).

### Application scenarios for emergency mode

If the appliance shows fault code 8, you can manually activate emergency mode. If a different fault occurred previously, but did not cause the appliance to switch off, the display may show a fault code that is the result of several faults added together. Listed below are the fault codes which will allow you to enable emergency mode.

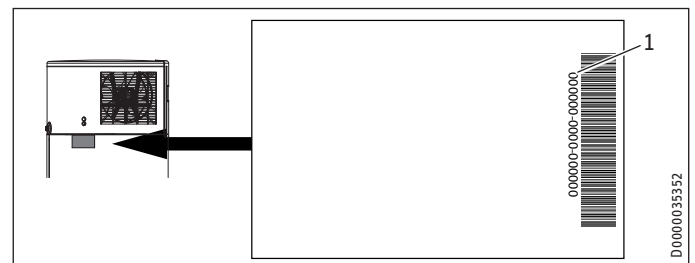
Fault code displayed	
8	8
10	Fault code 8 + fault code 2
12	8+4
24	8+16
26	8+2+16
28	8+4+16
138	8+2+128
140	8+4+128
152	8+16+128
154	8+2+16+128
156	8+4+16+128

When the appliance is operating in emergency mode, the fault code shown is incremented by 256.

### Notifying a qualified contractor

If you cannot remedy the fault, notify your qualified contractor. To facilitate and speed up your enquiry, please provide the serial number from the type plate (000000-0000-000000). The type plate can be found on the left, above the DHW outlet connection.

### Sample type plate



1 Number on the type plate

# INSTALLATION

## 7. Safety

Only a qualified contractor should carry out installation, commissioning, maintenance and repair of the appliance.

### 7.1 General safety instructions

We guarantee trouble-free function and operational reliability only if original accessories and spare parts intended for the appliance are used.

### 7.2 Instructions, standards and regulations



#### Note

Observe all applicable national and regional regulations and instructions.

Take note of the appliance type plate and chapter “Specification”.

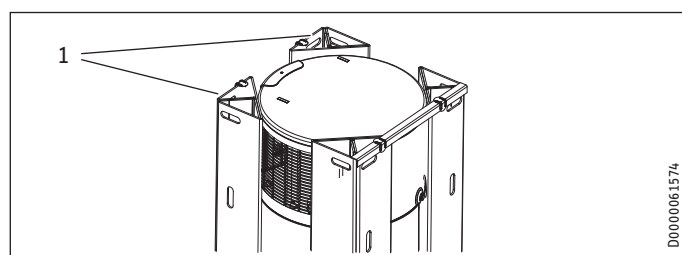
## 8. Appliance description

### 8.1 Standard delivery



#### Note

Accessories are located in the corners of the packaging. Remove the accessories before disposing of the packaging.



1 Corners of the packaging

The following are delivered with the appliance:

- Condensate drain bend
- For the “Cold water inlet” and “DHW outlet” connections: 2 insulated screw fittings comprising a flanged pipe, a gasket, a union nut and an insulating sleeve

### 8.2 Required accessories

Various safety assemblies are available that are selected according to supply pressure. These type-tested safety assemblies protect the appliance against unacceptable excess pressure.

### 8.3 Additional accessories

- Condensate pump (if the condensate cannot be drained off with a naturally occurring fall)

## 9. Preparation

### 9.1 Transport



#### CAUTION Injury

- ▶ Observe the weight of the appliance.
- ▶ Use suitable transport aids (e.g. sack truck) and enough personnel for transportation.



#### Material losses

- The appliance has a high centre of gravity and low overturning moment.
- ▶ Safeguard the appliance against falling over.
  - ▶ Only set the appliance down on an even base.



#### Material losses

- The appliance casing is not designed to withstand strong forces. Incorrect handling can lead to material losses of considerable extent.
- ▶ Observe the information on the packaging.
- Only remove the packaging shortly before the installation.

Where possible, do not unpack the appliance until it has arrived in the installation room. For transport and handling leave the appliance in its packaging and on the pallet. This enables brief horizontal transport and provides places to hold onto during transport.

If the appliance has to be unpacked before transportation, we recommend using a sack truck. Pad the contact surfaces to avoid damaging the appliance. Secure the appliance to the sack truck using a strap. Pad between the strap and the appliance and avoid overtightening the strap. Where stair wells are narrow, you can carry the appliance by the handles on the sack truck and the foot of the appliance.

### Vehicular transport



#### Material losses

- The appliance must generally be stored and transported vertically.

The appliance may be transported horizontally for brief periods, over a maximum distance of 160 km and on made-up roads. Strong shocks are not permissible.



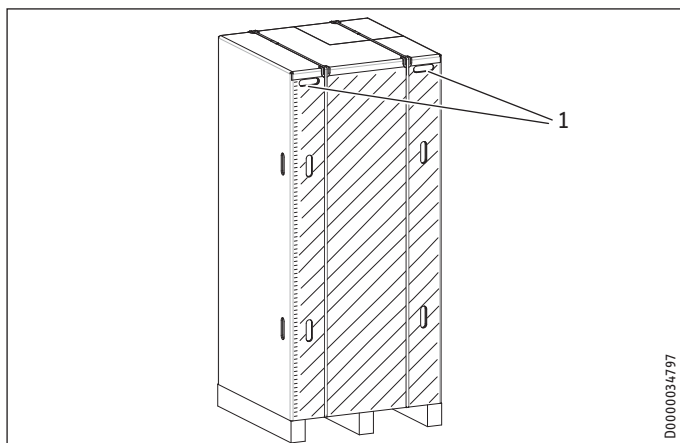
#### Material losses

- If transported horizontally, the appliance must always be laid on the shaded side of the box.
- The appliance must not remain in a horizontal position for more than 24 hours.
- If the appliance was transported horizontally, leave it to rest in a vertical position for at least one hour before commissioning.

- ▶ Observe the information on the packaging.

# INSTALLATION

## Preparation



1 Recessed grips

### Transport from vehicle to installation room

The cardboard box has reinforced recessed grips along the top. You can use these recessed grips, as well as the pallet at the lower end, to carry the appliance into the installation room. Take note of the weight of the appliance and ensure a sufficient number of personnel is available for handling the appliance.

### 9.2 Storage

If it is necessary to store the appliance for a prolonged period before installation, observe the following information:

- Only store the appliance in a vertical position. Never store the appliance horizontally.
- Store the appliance in a location that is dry and largely dust-free.
- Protect the appliance from coming into contact with corrosive substances.
- Ensure the appliance is not subjected to shocks or vibrations.

### 9.3 Installation site



#### Material losses

Observe the following list of requirements regarding the installation site. Failure to observe this point puts the appliance at risk of damage.

- The appliance is not approved for outdoor installation.
- The installation site must be free from flammable, highly combustible gases and substances, as well as high levels of dust.
- The installation room must be free from the risk of frost.
- The intake temperature of the appliance must be within the permissible application limits (see chapter "Specification / Data table").
- The floor of the installation room must be level and have sufficient load bearing capacity. Take note of the weight of the appliance with a full DHW cylinder (see "Specification / Data table"). A floor with insufficient load bearing capacity is in danger of collapse. If the appliance is not level, there may be a risk of appliance damage.
- The size of the installation room must correspond to the appliance application limits (see "Specification / Data table" chapter).

- Observe the safety clearances and protection zones.
- Always leave sufficient space to provide access for installation, maintenance and cleaning. Observe the required minimum clearances (see chapter "Preparations / Siting the appliance").
- Ensure the operation of other equipment in the installation room is not impaired.
- To keep the duct lengths as short as possible, we recommend installing the appliance close to the kitchen or bathroom.
- To prevent adverse effects from operating noise, never install the appliance close to bedrooms.

#### Examples of unacceptable installations

atmospheres containing ammonia	sewage works, pigsties
substances which block the evaporator	air containing oil or fat, dust (cement, flour, etc.). Note: If the air contains hairspray (e.g. in hairdressing salons), the appliance should be operated at shorter maintenance intervals.
saline environments	Coastal installations (< 200 m from the coast) can reduce component service life.
atmospheres containing chlorine or chloride	swimming pools, salt works
atmospheres containing thermal water	
Formaldehyde in the atmosphere	Certain wood-based materials (e.g. OSB boards)
	Certain insulating materials (e.g. foams based on urea-formaldehyde (UF in-situ foams))
Carboxylic acid in the atmosphere	Extract air from kitchens
	Components of floor cleaners (e.g. vinegar cleaner)

Air polluted with these substances can cause corrosion of copper materials in the refrigerant circuit, especially the evaporator. This corrosion can lead to failure of the appliance. Any damage to the appliance caused in this way is not covered by the guarantee conditions.



#### Note

The appliance output data are calculated according to standard, using the intake temperature specified in the data table. Below this temperature the appliance efficiency and output decrease. The heat-up time is extended.



#### Note

You can improve the efficiency of the appliance by utilising the waste heat from other appliances to heat the DHW cylinder, e.g. boilers, tumble dryers or freezers. If, for example, a tumble dryer releases dust at the installation site, the evaporator must be cleaned more frequently.

#### Sound emissions

The sound emissions are louder on the air intake and air discharge sides of the appliance than on the closed sides.

- Never direct the air intake or air discharge towards noise-sensitive rooms of the house, e.g. bedrooms.

# INSTALLATION

## Preparation



### Note

For details on sounds emissions, see chapter "Specification / Data table".

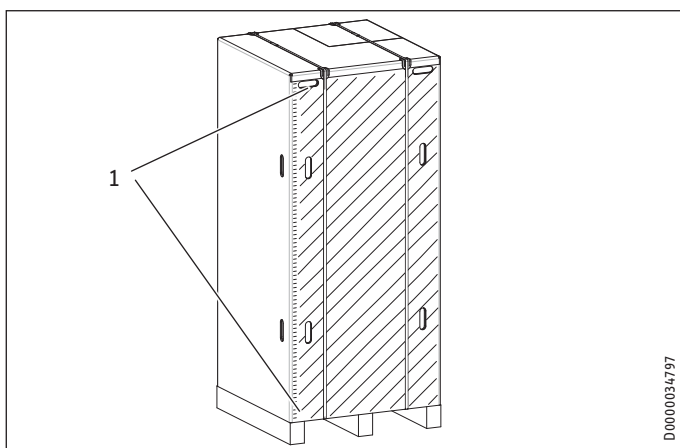
## 9.4 Siting the appliance



### Note

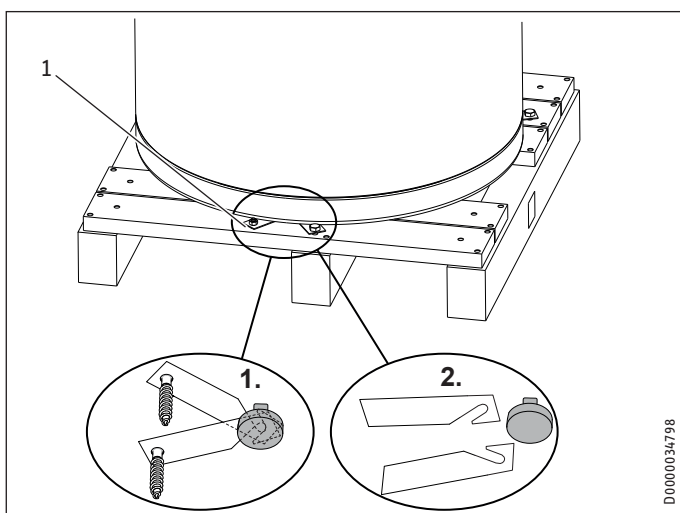
Accessories are located in the corners of the packaging. Remove the accessories before disposing of the packaging.

- ▶ Carefully undo the cardboard packaging at the clips.



1 Cardboard packaging clips

The appliance is secured to the pallet with metal brackets and screws. The metal brackets are hooked on to the feet underneath the floor plate of the appliance.



1 Metal bracket fixing screw

- ▶ Remove the fixing screws of the metal brackets from the pallet.
- ▶ Push the metal brackets a little towards the cylinder centre to unhook them from the appliance feet.
- ▶ Pull the metal brackets out from underneath the appliance.

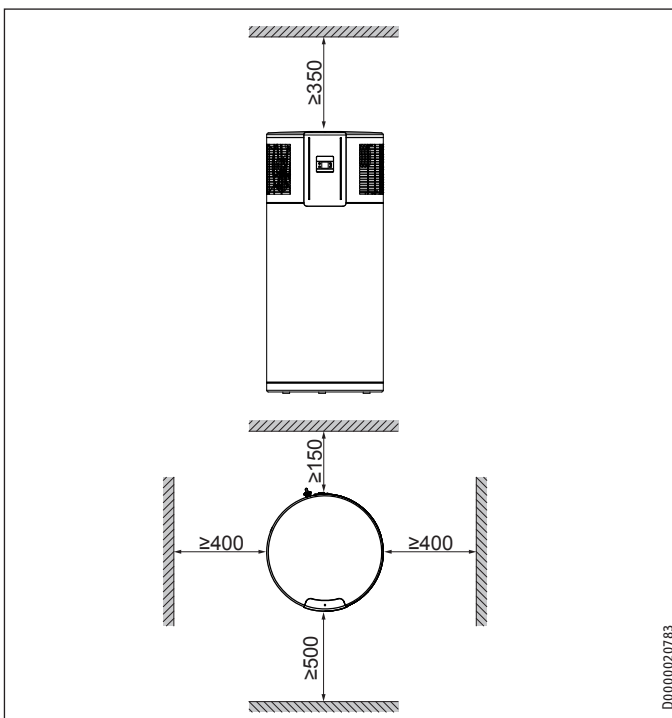


### Material losses

Take note of the appliance's weight and centre of gravity.

- ▶ Slightly tip the appliance and carefully roll the appliance off the pallet.
- ▶ Position the appliance in the final installation site.

### Minimum clearances



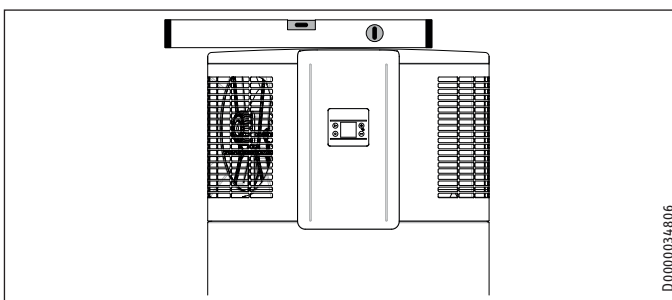
- ▶ Maintain the minimum clearances.



### Material losses

The appliance must be positioned vertically to avoid damage. The feet under the floor plate of the appliance are height-adjustable.

- ▶ Level the appliance horizontally using the height-adjustable feet.



### 10. Installation



**WARNING Injury**  
Incorrect installation can lead to serious injury or material losses. Before any work, ensure sufficient clearances for the installation.  
Handle sharp-edged components carefully.

#### 10.1 Water connection



**Material losses**  
Carry out all water connection and installation work in accordance with regulations.



**Material losses**  
The corrosion protection provided by the anode can only be guaranteed when the electrical conductivity of the domestic hot water is within the limits stated in the chapter "Specification / Data table".

#### Cold water line

Galvanised steel, stainless steel, copper and plastic are approved materials. A safety valve is required.

#### DHW line

Stainless steel, copper and plastic pipework are approved.

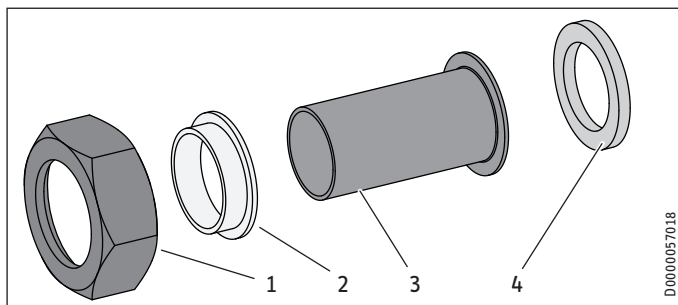


**Material losses**  
When using plastic pipework, observe the manufacturer's data and the chapter "Specification / Fault conditions".

- ▶ Thoroughly flush the pipework before connecting the appliance. Foreign bodies, such as welding pearls, rust, sand or sealant can impair the operational reliability of the appliance.



**Material losses**  
To protect the connections against corrosion the water connection must be made with flat gaskets. The use of hemp on connections is not permissible.  
The insulated screw fittings included in the standard delivery serve to prevent and insulate against cathodic scaling due to highly conductive water.



- 1 Union nut (G1)
- 2 Insulating sleeve
- 3 Flanged pipe (22x1 mm, Copper)
- 4 Gasket

- ▶ Using the gaskets, insulating sleeves and union nuts provided, connect the flanged pipes included in the standard delivery to the "Cold water inlet" and "DHW outlet" connections.
- ▶ Check the insulated screw fitting for tightness.

#### Safety valve

The appliance is a sealed unvented DHW cylinder. Provide the appliance with a pressure relief valve.

- ▶ Install a type-tested safety valve in the cold water supply line. The response pressure of the safety valve must be below or equal to the permissible operating pressure of the DHW cylinder.

The safety valve protects the appliance against unacceptable excess pressure. The diameter of the cold water supply line must be no greater than the diameter of the safety valve.

- ▶ Ensure that the expansion water escaping from the safety valve can drip into a drain, e.g. a tank or funnel.

Ensure the drain cannot be shut off.

- ▶ Size the drain so that water can drain off unimpeded when the safety valve is fully opened.
- ▶ Ensure that the discharge pipe of the safety valve is open to atmosphere.
- ▶ Fit the discharge pipe of the safety valve with a constant downward slope and in a room free from the risk of frost.

#### Pressure reducing valve

The maximum pressure in the cold water supply line must be at least 20 % below the response pressure of the safety valve. If the maximum pressure in the cold water supply line is higher, install a pressure reducing valve.

#### Drain valve

- ▶ Install a suitable drain valve at the lowest point in the cold water inlet line.

#### DHW circulation

The heat losses incurred in the DHW circulation line and the electrical power consumption of the circulation pump reduce the efficiency of the system. The cooled water in the DHW circulation line mixes with the cylinder content. Where possible, avoid installing a DHW circulation line. Where that is not possible, the DHW circulation pump must be controlled thermally or by time switch.

#### Thermal insulation

- ▶ Insulate the DHW line and valves against heat loss and to improve energy efficiency in accordance with locally applicable regulations.
- ▶ Insulate the cold water supply line to prevent condensate forming.

### 10.2 SHP-A 300 X Plus: Connection of an external heat generator

**! Material losses**  
Even if an external heat generator is connected, do not disconnect the appliance from the power supply as otherwise it is not protected against frost and corrosion. The power supply must not be interrupted even in winter, when it is possible that DHW heating is only being provided via the external heat generator.

**! Material losses**  
The integration of an external heat generator via the "heat source flow" connection must not result in the application limits being exceeded (see chapter "Specification / Data table").  
The connected external heat generator cannot be controlled by the appliance. The external heat generator must be controlled externally. Any possibility of exceeding the maximum permissible DHW temperature in the cylinder (as given in chapter "Specification/Data table") must be prevented.

**! Material losses**  
Carry out all installation work in accordance with regulations. In Germany, to comply with heating system regulations, an external heat generator must be connected with a diaphragm expansion vessel and a safety valve between the external heat generator and the DHW cylinder.

External heat generators may only be connected with DHW priority control. As part of this, the cylinder temperature must be captured with an electronic temperature sensor with safety low voltage.

The DHW cylinder of the appliance allows the temperature sensor to be positioned at one of two different heights in the cylinder. Using the sensor sleeve in the upper third of the cylinder enables later DHW heating by means of the external heat generator, than the lower sensor position.

#### Heating circuit oxygen diffusion

**! Material losses**  
Avoid open vented heating systems and underfloor heating systems with plastic pipes that are permeable to oxygen.

In underfloor heating systems with plastic pipes that are permeable to oxygen and in open vented heating systems, oxygen diffusion may lead to corrosion on the steel components of the heating system (e.g. on the indirect coil of the DHW cylinder, on buffer cylinders, steel radiators or steel pipes).

**! Material losses**  
The products of corrosion (e.g. rusty sludge) can settle in the heating system components, which may result in a lower output or fault shutdowns due to reduced cross-sections.

#### Solar circuit oxygen diffusion

**! Material losses**  
Avoid open vented solar thermal systems and plastic pipes which are permeable to oxygen.

With plastic pipes that are permeable to oxygen, oxygen diffusion can cause corrosion on the steel components of the solar thermal system (e.g. on the indirect coil of the DHW cylinder).

#### Water quality, solar circuit

**! Material losses**  
A glycol-water mixture up to 60 % is permissible for the solar circuit, provided only dezincification-resistant metals, glycol-resistant gaskets and diaphragm expansion vessels suitable for glycol are used throughout the installation.

### 10.3 Condensate drain

Install a condensate drain hose in order to remove the condensate which forms.

- ▶ Connect the condensate drain bend included in the standard delivery to the condensate drain connection.
- ▶ Connect a condensate drain hose to the condensate drain bend.

A siphon must be installed to prevent aggressive gases from the sewer entering the appliance. The condensate drain must be installed with an outlet that opens freely above the siphon.

**! Material losses**  
Ensure condensate cannot back up.

- ▶ Use a condensate drain hose with a diameter greater than the diameter of the condensate drain bend.
- ▶ Ensure the condensate drain hose is not kinked.
- ▶ Route the condensate drain hose with a continuous fall.

The condensate drain must be open to atmosphere.

- ▶ Use a suitable condensate pump if there is insufficient fall. Take the building characteristics into account.

### 10.4 Electrical connection

**⚡ WARNING Electrocutation**  
Carry out all electrical connection and installation work in accordance with national and regional regulations.

**⚡ WARNING Electrocutation**  
If the appliance is permanently connected to the power supply, ensure that the appliance can be separated from the power supply by an isolator that disconnects all poles with at least 3 mm contact separation. Contactors, circuit breakers or fuses can be used for this.

**⚡ WARNING Electrocutation**  
▶ Observe the safety measures to prevent contact with dangerous 'live' currents.



# INSTALLATION

## Installation



**WARNING Electrocutation**  
Coming into contact with 'live' components presents a threat to life. Disconnect the appliance from the power supply before carrying out work on the control panel. Prevent the power supply from being switched on while you are working on the system.



**WARNING Electrocutation**  
Insufficient earthing can lead to electrocution. Ensure the appliance is earthed according to locally applicable requirements.



**WARNING Electrocutation**  
The power cable must only be replaced (for example if damaged) with an original spare part by a qualified contractor authorised by the manufacturer (connection type X).



**Material losses**  
Install a residual current device (RCD).



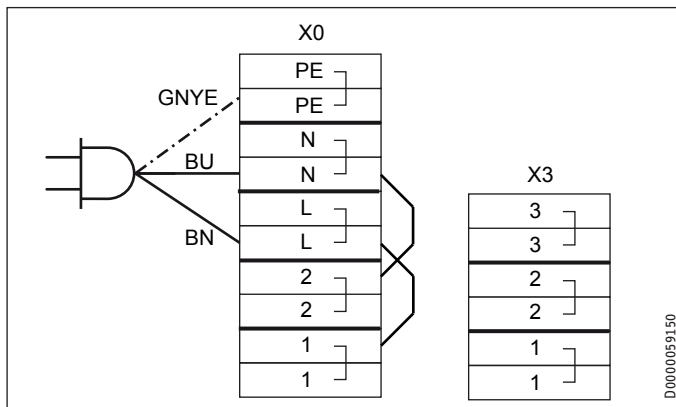
**Material losses**  
The specified voltage must match the mains voltage. Observe the type plate.



**Material losses**  
Never connect the appliance to the power supply before the DHW cylinder is filled.

The appliance is delivered with a power cable with fitted plug.

### 10.4.1 Standard connection without external signal transmitter



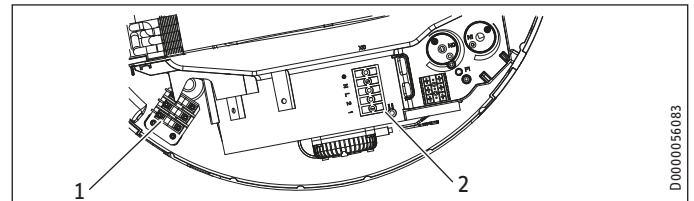
BN Brown  
BU Blue  
GNYE Green/yellow

### 10.4.2 Connection options: Operation with external switching device that interrupts appliance power supply

To ensure cylinder corrosion protection, appliances are equipped with a maintenance-free impressed current anode as standard. A maintenance-free impressed current anode, when compared to a sacrificial anode, offers the greatest protection and saves on costs for maintenance that would otherwise be required. To ensure cylinder corrosion protection however, the impressed current anode must be supplied with power permanently.

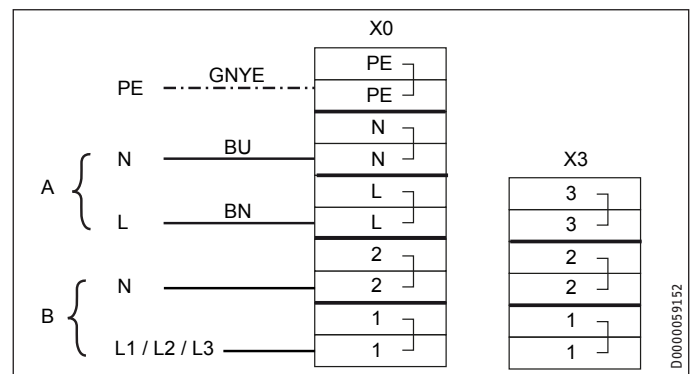
If the device is to be used with external switching devices (e.g. external time switch, switched socket, energy management system, power-interrupting signal from the power supply utility) that interrupt the appliance power supply, the impressed current anode must not be subject to the effects of such devices, but supplied independently. For such cases, the appliance allows separate power supplies for load (compressor) and electronic (including impressed current anode) circuits.

- ▶ Remove the appliance cover (see chapter "Cleaning and maintenance / Removing the appliance cover").



- 1 Strain relief
- 2 Terminal X0

- ▶ Prepare the electric cables in such a way that each cable terminates with a wire ferrule.
- ▶ Push the cables through one of the cable entries in the appliance casing.
- ▶ Route leads through the strain relief.
- ▶ Remove the jumper which leads from X0/N to X0/2 in the delivered condition.
- ▶ Remove the jumper which leads from X0/L to X0/1 in the delivered condition.



A Power supply provided by power supply utility or energy management system for switching the load (compressor)  
B Power supply to impressed current anode and PCB  
BN Brown  
BU Blue  
GNYE Green/yellow

- ▶ Connect the electric cables for the separate impressed current anode power supply to X0/1 and X0/2.



**Material losses**  
The power supply to the impressed current anode must be continuously ensured.



**Material losses**  
With regard to the external switching device, the minimum runtime and minimum pause times must be observed (see chapter "Appliance description/Minimum runtime and minimum pause time").

# INSTALLATION

## Installation

### 10.4.3 Connection options: Operation with external signal transmitter



#### Material losses

See "Permissible voltage range for external signal transmitters" in the "Specification/data table" chapter.



#### Note

The appliance has a second, higher set temperature which is selected at the factory. This is activated in the event of an external switching signal. Set temperature 2 is higher ranking than the standard set temperature while there is an external switching signal.

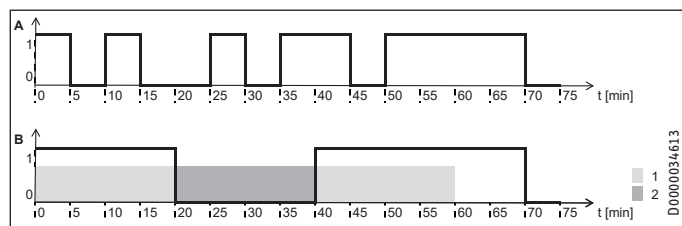
An external signal transmitter for switching a separate set DHW temperature (set temperature 2) can be connected to terminal X3/1-2. In the delivered condition, terminal X3/1-2 is not assigned. If this terminal is connected at the voltage stated in the specification (see "Permissible voltage range, external signal transmitter") (L to X3/1, N to X3/2), the appliance enables set temperature 2.

Following one-off activation (signal present for at least 1 minute), set temperature 2 applies for at least 20 minutes. Set temperature 2 is ranked higher than set temperature 1. When the relevant DHW set temperature has been reached, the compressor switches off and remains off for a minimum idle time of 20 minutes.

The following diagram illustrates the connections by means of a sample signal sequence from an external signal transmitter.

Example:

- Water temperature = 55 °C
- Set temperature 1 = 50 °C
- Set temperature 2 = 65 °C

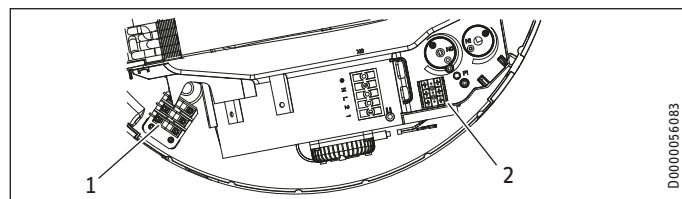


A External signal

B Compressor

- 1 20 min. minimum runtime, set temperature 2
- 2 20 min. minimum compressor idle time

- ▶ Remove the appliance cover (see chapter "Cleaning and maintenance / Removing the appliance cover").

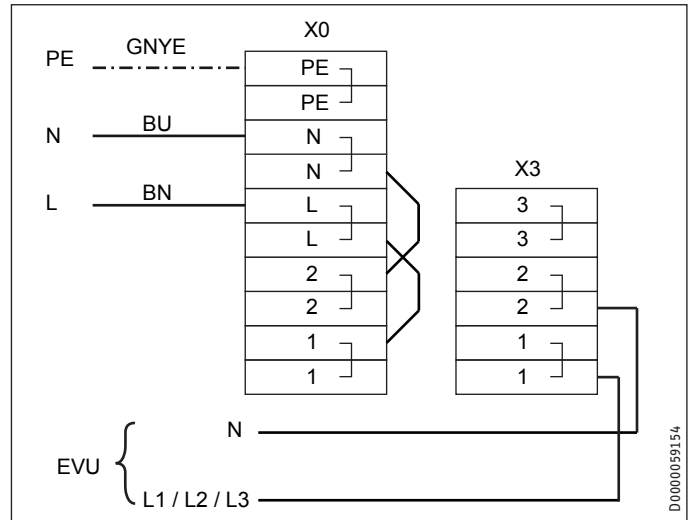


- 1 Strain relief
- 2 Terminal X3

- ▶ Prepare the electric cables in such a way that each cable terminates with a wire ferrule.
- ▶ Push the cables through one of the cable entries in the appliance casing.

- ▶ Route leads through the strain relief.
- ▶ Connect the cables to X3.

### Example 1: Power supply utility signal with its own phase



- EVU Power supply utility
- BN Brown
- BU Blue
- GNYE Green/yellow

### Example 2: Photovoltaic signal via on-site relay and phase routed outside the appliance

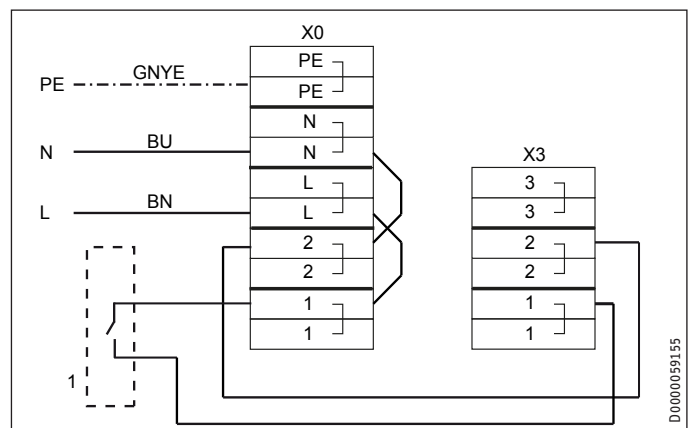


#### Note

The relay in the inverter must meet the following requirements:

- Potential-free relay (240 V AC / 24 V DC, 1 A) with N/O contact
- Adherence to safety regulations and standards for safety extra low voltage
- The switching output must be programmed so that the relay closes or opens if certain limits are exceeded or undershot (inverter output level).

If necessary, check with the inverter manufacturer whether the product meets the stated criteria.



- 1 Inverter (floating contact)
- BN Brown
- BU Blue
- GNYE Green/yellow



# INSTALLATION

## Commissioning

The inverter power feed is usually located at a central distribution point (e.g. in the main fuse box).

### 10.5 Assembling the appliance



#### Note

Refit the appliance cover after completing your work. See chapter "Maintenance and cleaning / Fitting the appliance cover".

## 11. Commissioning



#### WARNING Electrocutation

Never operate the appliance when the casing is open or without a cover.

### 11.1 Initial start-up



#### Note

Fill the DHW cylinder before switching on the power supply to the appliance.  
The appliance is equipped with boil-dry protection to prevent operation with an empty DHW cylinder.



#### Note

Following an interruption of the power supply, the compressor operation remains blocked for at least one minute. The PCB delays electronic starting by a minute, during which the appliance goes through its initialising process. If the compressor subsequently fails to start, it may be locked out by additional safety devices (motor overload relay or high pressure switch). This block should lift after 1 to 10 minutes.

#### 11.1.1 Filling the DHW cylinder

Fill the DHW cylinder and vent the pipework by following the procedure below:

- ▶ Close the drain valve.
- ▶ Open all DHW draw-off points and the shut-off valve in the cold water supply.
- ▶ Close the DHW draw-off points as soon as water starts to emerge from them.
- ▶ Check the safety valve by leaving it open until water runs out.

#### 11.1.2 Settings / function check

- ▶ Switch the power supply ON.
- ▶ Check the appliance function.
- ▶ Check the function of the safety assembly.

Following function check completion, reduce the set DHW temperature for more energy-conscious appliance operation.

- ▶ Establish the customer's comfort requirements and adjust the set DHW temperature accordingly. For hygiene reasons, never set the DHW temperature below 50 °C.

#### 11.1.3 Appliance handover

- ▶ Explain the appliance function to users and familiarise them with its operation.
- ▶ Make the user aware of potential dangers, especially the risk of scalding.
- ▶ Make users aware of critical environmental factors and requirements concerning the installation site.
- ▶ Inform users that water may drip from the safety valve during the heat-up process.
- ▶ Please note that the appliance is not protected against frost and corrosion when it is disconnected from the power supply. If voltage is supplied to the impressed current anode and the PCB separately, the appliance remains protected against corrosion.
- ▶ Hand over these operating and installation instructions to users for safekeeping.

### 11.2 Recommissioning

If the appliance is switched off due to an interruption to the power supply, no specific measures for restarting are required once the power supply has been restored. The appliance has saved the parameters most recently set and continues operating with these.

If the "rapid/comfort heating" function was active prior to power supply interruption, this is re-enabled with a set temperature of 65 °C once the power supply has been restored.

Emergency mode is not reactivated after an interruption of the power supply.



#### Note

Following an interruption of the power supply, the compressor operation remains blocked for at least one minute. The PCB delays electronic starting by a minute, during which the appliance goes through its initialising process.

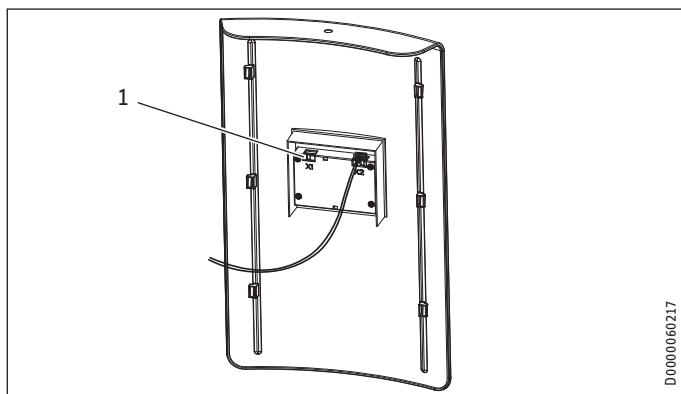
If the compressor subsequently fails to start, it may be locked out by additional safety devices (motor overload relay or high pressure switch). This block should lift after 1 to 10 minutes.

### 12. Settings

#### ■ Service menu

To unlock the service menu, you need to connect a service plug or enter a code.

#### Accessing the service menu with a service plug



1 Slot X1

▶ Plug the service plug into slot X1 on the back of the programming unit.

#### Accessing service menu via code entry

301	<p>▶ Press the "Menu" key for longer than 3 s. The software version number of the controller PCB appears.</p> <table border="1" style="width: 100%; border-collapse: collapse;"> <thead> <tr> <th style="text-align: left;">Display</th> <th style="text-align: left;">Version number</th> </tr> </thead> <tbody> <tr> <td>301</td> <td>3.1.00</td> </tr> </tbody> </table>	Display	Version number	301	3.1.00
Display	Version number				
301	3.1.00				
- 103	<p>⊕ To display the software version number of the programming unit PCB, press the "Plus" key.</p> <table border="1" style="width: 100%; border-collapse: collapse;"> <thead> <tr> <th style="text-align: left;">Display</th> <th style="text-align: left;">Version number</th> </tr> </thead> <tbody> <tr> <td>-103</td> <td>1.3.00</td> </tr> </tbody> </table>	Display	Version number	-103	1.3.00
Display	Version number				
-103	1.3.00				
Code	<p>⊖ To go to code entry, press the "Minus" key.</p> <p>To go from the software version number of the controller PCB directly to code entry, press the "Minus" key.</p>				
-- - 0	<p>⊙ To go to code digit scanning, press the "Rapid heat-up" key. The currently active digit flashes.</p>				
⊕	<p>Set the first digit using the "Plus" and "Minus" keys.</p>				
⊖	<p>To set the next digit, press the "Rapid heat-up" key.</p>				
⊙	<p>To confirm the code after entering all digits, press the "Rapid heat-up" key.</p>				

■ Service menu
<input type="checkbox"/> ■ Integral sensor offset
<input type="checkbox"/> ■ Adjust cylinder volume
<input type="checkbox"/> ■ Compressor lockout due to evaporator fault
<input type="checkbox"/> ■ Clear high pressure lockout
<input type="checkbox"/> ■ Clear low pressure lockout
<input type="checkbox"/> ■ Temperature of evaporator fins
<input type="checkbox"/> ■ Number of defrost faults
<input type="checkbox"/> ■ Number of low pressure triggers
<input type="checkbox"/> ■ Number of high pressure triggers
<input type="checkbox"/> ■ Integral sensor replacement
<input type="checkbox"/> ■ Set value limit

The parameters in this menu are reserved for qualified contractors.

### 13. Appliance shutdown

! **Material losses**  
 If you disconnect the appliance from the power supply, it is no longer protected against frost or corrosion.  
 ▶ Only disconnect the appliance from the power supply for longer periods if you are also draining the DHW cylinder.

If you want to switch the appliance off for a longer period, always drain the DHW cylinder. See chapter "Maintenance / Draining the appliance".

The appliance can only be switched off by interrupting the power supply.

▶ Pull the mains plug from the socket or disconnect the appliance from the mains at the MCB/fuse in the fuse box.

### 14. Troubleshooting

⚡ **WARNING Electrocutation**  
 Prior to all work on the appliance, isolate it from the power supply.

! **Material losses**  
 If you disconnect the appliance from the power supply, it is no longer protected against frost or corrosion.  
 ▶ Only disconnect the appliance from the power supply for longer periods if you are also draining the DHW cylinder.

- ▶ For work inside the appliance, remove the appliance cover (see chapter "Cleaning and maintenance / Removing the appliance cover").
- ▶ If necessary, remove the upper section of the casing jacket (see chapter "Maintenance and cleaning / Removing the casing ring").

📖 **Note**  
 Refit the casing ring after completing the work. See chapter "Maintenance and cleaning / Fitting the casing ring".

# INSTALLATION


## Troubleshooting





### Note

Refit the appliance cover after completing your work. See chapter "Maintenance and cleaning / Fitting the appliance cover".

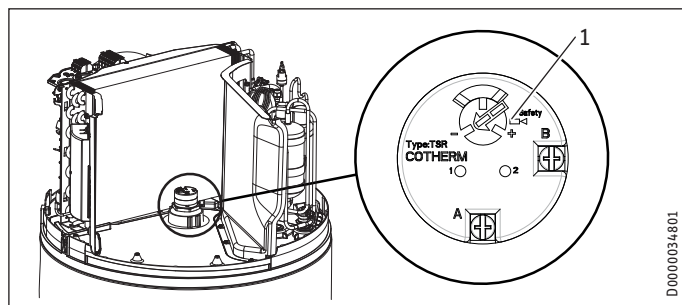
### 14.1 Fault codes

		Fault description	Remedy
2	permanently on	The sensor at the cylinder top is faulty. The actual temperature display switches from the cylinder top sensor to the integral sensor. The appliance continues to heat without any loss of comfort. The mixed water volume cannot be calculated and is displayed as "--".	Check that the plug is seated correctly.  Measure the resistance of the sensor and compare it with the resistance table. Install the replacement sensor.
4	permanently on	The integral sensor is faulty. In the event of a faulty integral sensor, the integral sensor is set to the value of the sensor at the cylinder top, and amount of mixed water is calculated using this value. The appliance continues to heat with a reduced start hysteresis. A mixed water volume is still calculated, based on the assumption that the cylinder top temperature is reached throughout the DHW cylinder.	Check that the plug is seated correctly.  Measure the resistance of the sensor and compare it with the resistance table. Install the replacement sensor. In the service menu, use parameter "IE" to switch to standby mode.
6	flashing	The sensor at the cylinder top and the integral sensor are faulty. The appliance no longer delivers heat.	Check that the plug is seated correctly.  Measure the resistances of the sensor and compare them with the resistance table. Install the replacement sensor. In the service menu, use parameter "IE" to switch to standby mode.
8	flashing	The appliance has ascertained that the DHW cylinder has not been heated within the maximum temperature increase time, despite there being a demand.	Check if a DHW circulation line is installed and whether it is insulated. The total power loss is greater than the heating output of the appliance.  Check if a DHW circulation pump is installed and whether it is controlled according to temperature or time. If required, install a corresponding control unit. Check the refrigerant circuit for leaks.

		Fault description	Remedy
16	permanently on	A short circuit of the impressed current anode has occurred or the protective anode is faulty.	Check the cables and relevant plug-in connections of the impressed current anode according to the connection diagram and replace faulty cables. Check the impressed current anode in the heating element/anode assembly and replace if required.
32	flashing	The appliance is being operated with a partially filled DHW cylinder. The appliance does not heat up.  The anode current is interrupted. The appliance does not heat up.	Fill the appliance's DHW cylinder. The fault code disappears and the appliance starts.  Check the contacts of the impressed current anode.
64	permanently on	The defrost temperature has not yet been reached after the maximum defrost time has lapsed. The compressor is faulty.  The temperature of the intake air is below the lower application limit.	Check the position of the evaporator sensor in the evaporator.  Wait for higher ambient temperatures. Ensure that values do not fall below the application limit.
128	permanently on	There is no communication between the controller and the programming unit. The most recently selected set values are active. The appliance continues to deliver heat.	Check that the plug is seated correctly, and if required, replace the connecting cable.  Replace the programming unit PCB.
256	flashing	Manually activated emergency mode (only electric emergency/booster heater enabled)	See chapter "Appliance description / Emergency mode".
E 2	flashing	The temperature sensor on the evaporator is faulty.	Check that the plug is seated correctly. Measure the resistance of the sensor and compare it with the resistance table. Replace the sensor.
E 16	permanently on	The high pressure limiter has responded. Compressor heating mode is temporarily blocked. Compressor heating mode will continue as soon as the pressure has normalised.	No action required.  After consultation with the customer, reduce the set temperature if required. Increase the charge level with the programming unit. Check the offset of the integral sensor to the cylinder top sensor and adjust if required. Check the high pressure switching point and replace the high pressure switch if required.
E 32	permanently on	An electrical fault has occurred.	A1/X2: Check whether the power supply has been interrupted. Then reset the fault with the corresponding menu option.

	Fault description	Remedy
E 64 flashing	Evaporator temperature < minimum evaporator temperature	<p>Check whether the evaporator is clogged with deposits. If required, clean the evaporator with clear water without cleaning agents or other additives.</p> <p>Check whether the air can flow freely through the appliance.</p> <p>Check whether the fan is blocked or faulty. Replace the fan if required.</p> <p>Check the function and setting of the expansion valve.</p> <p>Check whether the appliance has defrosted.</p>
E 128 flashing	A permanent pressure switch fault has occurred. A pressure fault occurred multiple times within a defined pressure fault evaluation time.	<p>Check the relevant fault counter and find the corresponding fault code remedy: E 16 (high pressure), E 32 (electrical wiring fault). Once the cause of the fault has been eliminated, reset the fault code under menu option "Hd 1" by pressing the "Rapid heat-up" key.</p>

### 14.2 Resetting the high limit safety cut-out



1 Reset button for high limit safety cut-out

The high limit safety cut-out protects the appliance from overheating. The electric emergency/booster heater is switched off when the cylinder water temperature exceeds  $87 \pm 5$  °C.

Once the cause of the fault has been removed, press the reset button of the high limit safety cut-out on the rod thermostat. To do so, remove the appliance cover.

### 14.3 Motor overload relay

In the event of excessive thermal load on the compressor, the motor overload relay switches the compressor off.

- ▶ Remove the cause.

After a short cooling period, the motor overload relay will restart the compressor automatically.

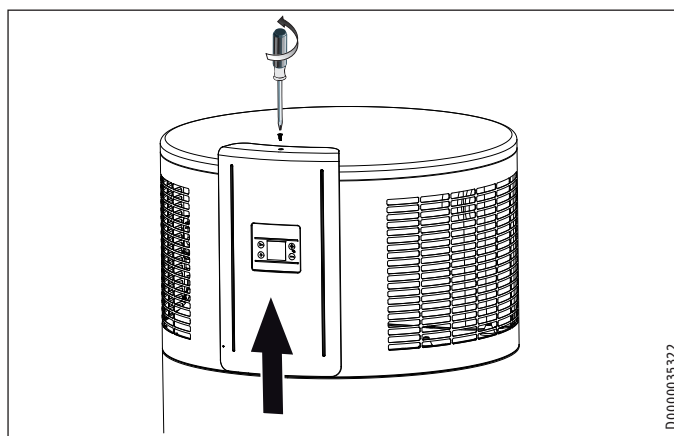
## 15. Maintenance and cleaning



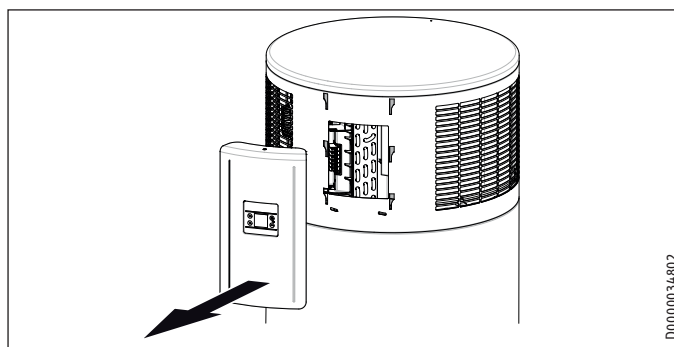
### WARNING Electrocutation

Prior to all work on the appliance, isolate it from the power supply.

### 15.1 Removing the appliance cover



- ▶ Undo the screw (Torx) that fastens the control fascia and the appliance cover to the appliance.
- ▶ Push the control fascia upwards.



- ▶ Remove the control fascia.
- ▶ A lead connects the operating controls to the appliance PCB. If necessary, pull the plug from the back of the control fascia to fully remove the control fascia.
- ▶ Carefully lift away the appliance cover and undo the earth cable that runs from the appliance control panel to the cover.



### Note

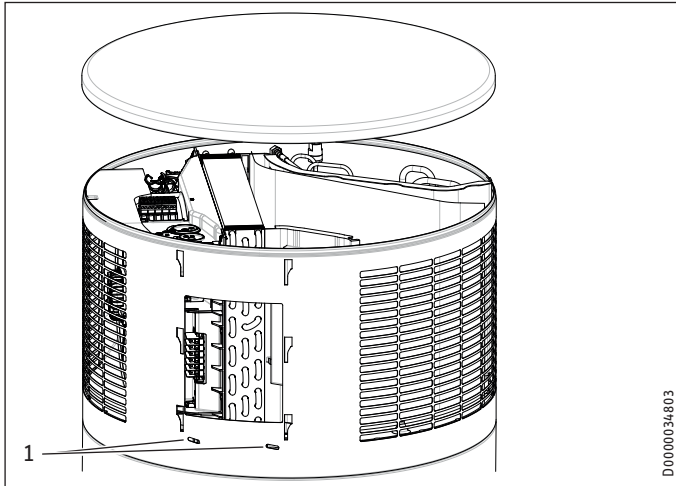
Refit the appliance cover after completing your work. See chapter "Maintenance and cleaning / Fitting the appliance cover".

15.2 Removing the casing ring



**Note**

If you require more space to work inside the appliance, you can remove the casing ring on the upper section of the appliance.



1 Fixing screws on casing ring

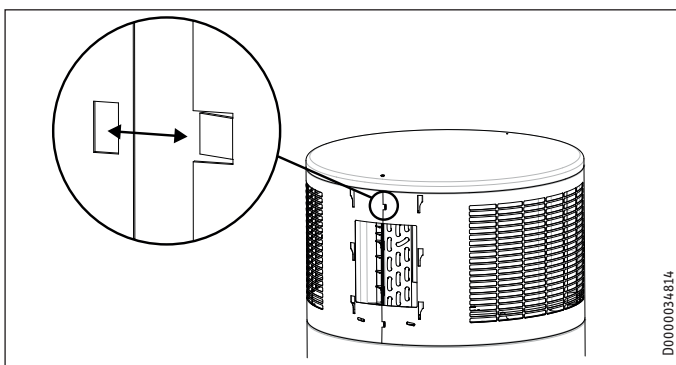
The casing ring is fastened with screws.

- ▶ Undo the fixing screws on the casing ring.
- ▶ Remove the condensate drain bend and pipe collar of the drain. Turn anti-clockwise to undo them.



**Material losses**

An earth cable is connected to the inside of the casing ring. The casing can only be removed after the earth cable has been detached.



The casing ring overlaps along the joint. A tab on one end clips into the recess at the other end of the casing ring.

- ▶ Ease the casing ring apart, until it can be removed or slid downwards.



**Note**

Refit the casing ring after completing the work. See chapter "Maintenance and cleaning / Fitting the casing ring".

15.3 Clean the evaporator.



**WARNING Injury**

The evaporator consists of numerous sharp-edged fins. Be careful when cleaning the evaporator and wear protective clothing, especially safety gloves.

To maintain a consistently high appliance output, check the evaporator of the appliance regularly for contamination and clean as necessary.

- ▶ Carefully clean the evaporator fins. Only use water and a soft brush for this. Never use acidic or alkaline cleaning agents.

15.4 Drain cylinder



**WARNING Burns**

Hot water may escape when draining the DHW cylinder.

To drain the DHW cylinder, e.g. when shutting the appliance down, proceed as follows.

- ▶ Isolate the appliance from the power supply.
- ▶ Close the shut-off valve in the cold water supply line.

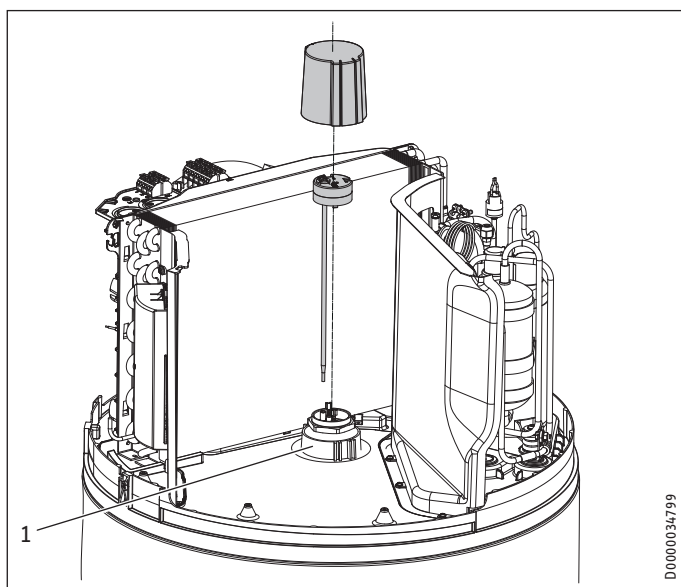
The DHW cylinder is drained via the cold water supply line.

- ▶ Open the drain valve installed in the cold water supply line (see chapter "Water connection"). If no drain valve has been installed, undo the cold water supply line at the "cold water inlet" connection.
- ▶ To vent the system, undo the DHW line connected to the "DHW outlet" connection.

Some residual water will remain in the lower section of the DHW cylinder.

### 15.5 Descaling the electric emergency/booster heater

Only descale the flange of the electric emergency/booster heater after removing it, and never treat the interior of the DHW cylinder and the impressed current anode with descaling agents. The electric emergency/booster heater is inserted centrally from above into the DHW cylinder of appliance.



1 Electric emergency/booster heater with protective anode

### 15.6 Protective anode

The flange of the electric emergency/booster heater is equipped with a protective anode that protects the appliance from corrosion while it is connected to the power supply. The protective anode is a maintenance-free impressed current anode.

If a fault code in the display indicates that the protective anode is faulty, proceed as follows:

- ▶ Remove the controller of the electric emergency/booster heater.
- ▶ Check the protective anode and its wiring.
- ▶ Refit the controller of the electric emergency/booster heater.

### 15.7 Valves

Regularly check the valves in the system (safety valve, pressure reducing valve, drain valve) to ensure the operational reliability of the appliance. The amount of limescale deposits depends on the local water quality.

- ▶ Check all valves in the system and remove limescale deposits.
- ▶ Replace the valves if necessary.
- ▶ Check the function of the valves.

### 15.8 Condensate drain

- ▶ Check whether the condensate drain is clear of obstructions. Remove contaminants.

### 15.9 Replacing the power cable



#### WARNING Electrocutation

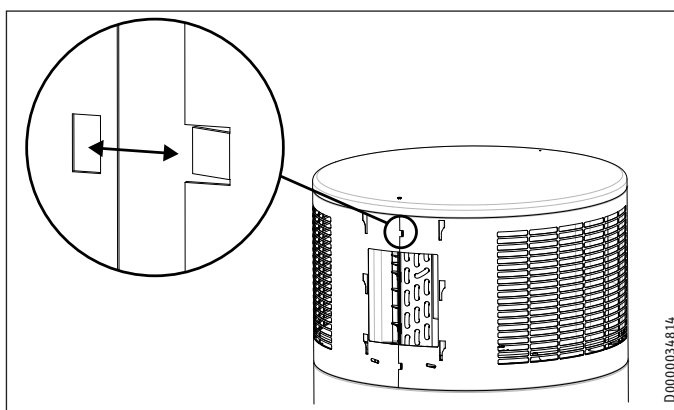
If the power cable is faulty, replace it with a new one. The power cable should only be replaced by a qualified contractor (connection type X).

### 15.10 Fitting the casing ring



#### WARNING Electrocutation

▶ Reconnect the earth cable to the casing ring.



- ▶ Fit the upper casing ring. The casing ring overlaps along the joint. A tab on one end clips into the recess at the other end of the casing ring.
- ▶ Secure the casing ring with screws.
- ▶ Fit the pipe collar of the condensate drain and the condensate drain bend.

### 15.11 Fitting the appliance cover



#### WARNING Electrocutation

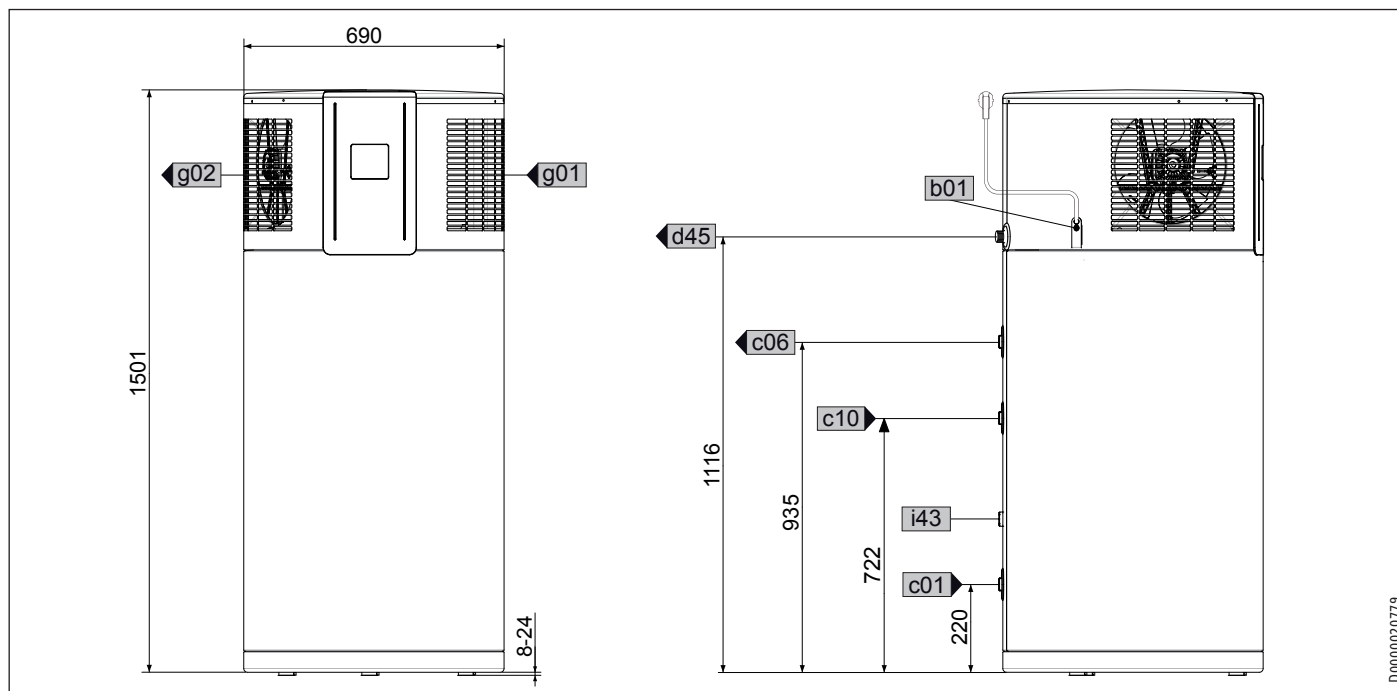
▶ Reconnect the earth cable to the appliance cover.

- ▶ Place the cover back on the appliance.
- ▶ Press the cover into the bead around the casing ring.
- ▶ Connect the cable linking the programming unit to the PCB inside the appliance at the back of the control fascia.
- ▶ Insert the control fascia.
- ▶ Use the screw to secure the control fascia at the top of the appliance.

## 16. Specification

### 16.1 Dimensions and connections

#### 16.1.1 SHP-A 220 Plus



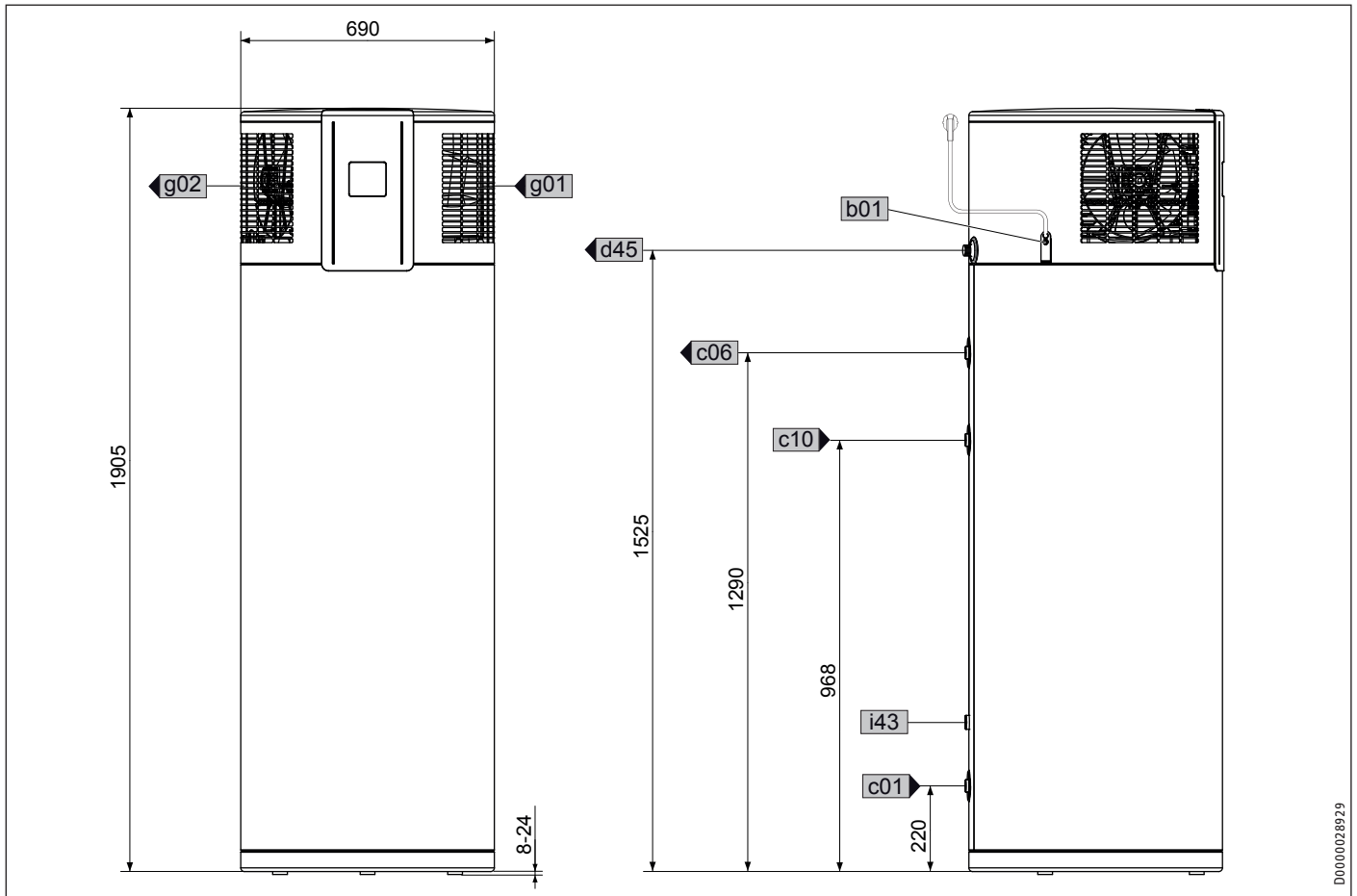
D 000 002 077 9

		SHP-A 220 Plus
b01	Entry electrical cables	
c01	Cold water inlet	G 1
c06	DHW outlet	G 1
c10	DHW circulation	G 1/2
d45	Condensate drain	G 3/4
g01	Air intake	
g02	Air discharge	
i43	Cover for manufacturing aperture	



# INSTALLATION Specification

## 16.1.2 SHP-A 300 Plus



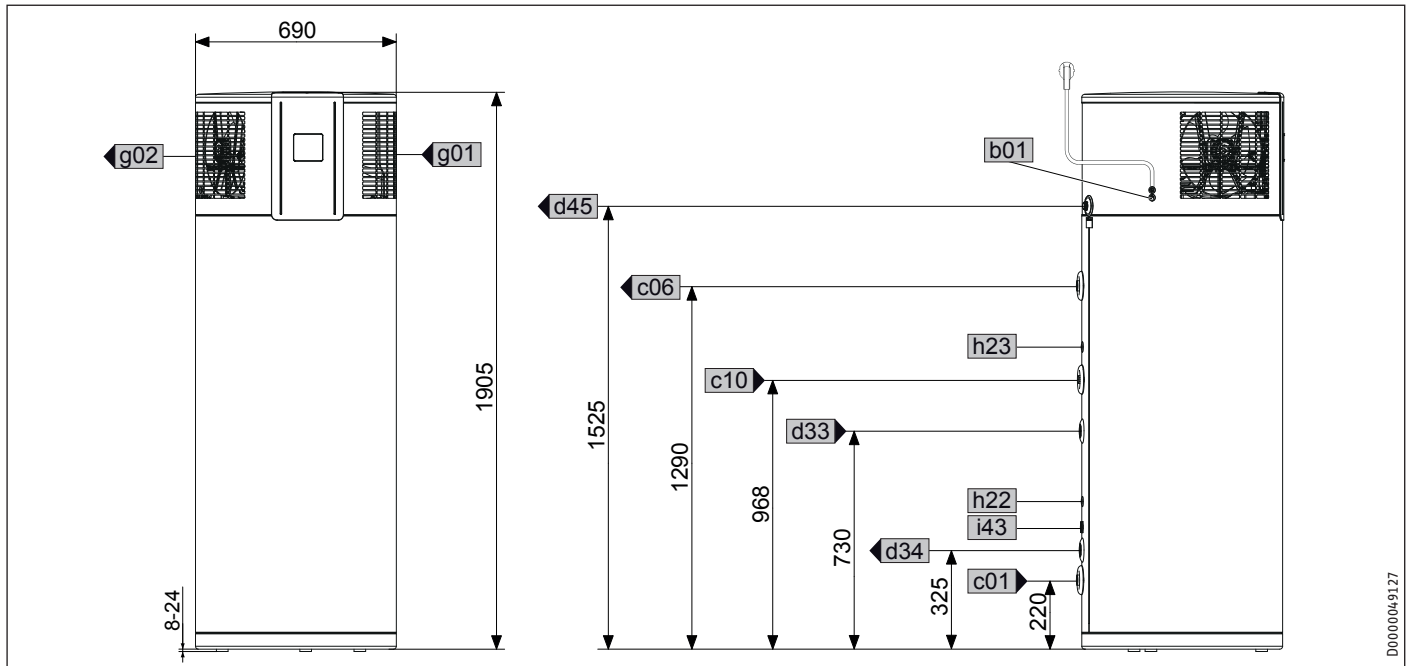
D0000028929

		SHP-A 300 Plus
b01	Entry electrical cables	
c01	Cold water inlet	G 1
c06	DHW outlet	G 1
c10	DHW circulation	G 1/2
d45	Condensate drain	G 3/4
g01	Air intake	
g02	Air discharge	
i43	Cover for manufacturing aperture	



# INSTALLATION Specification

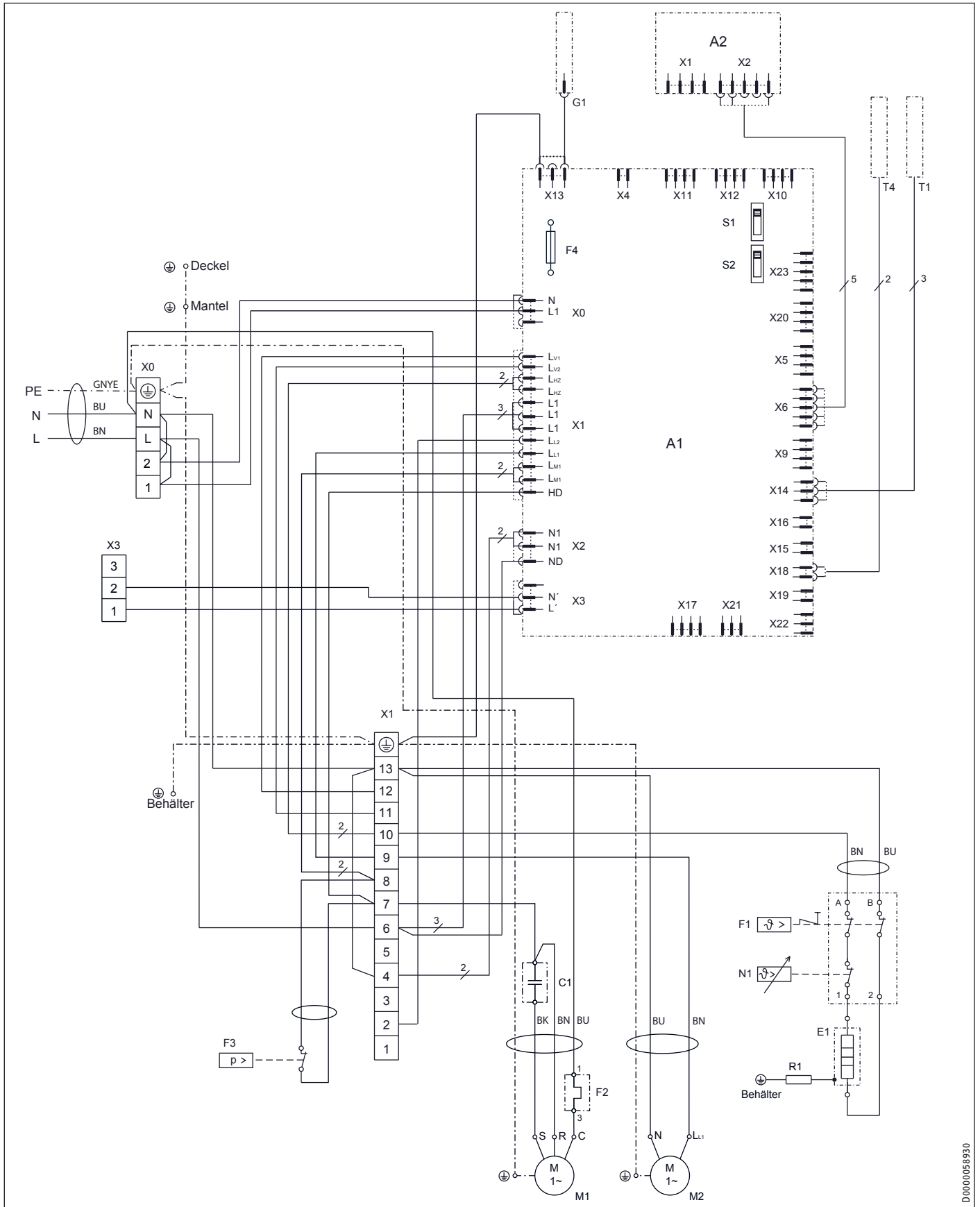
## 16.1.3 SHP-A 300 X Plus



				SHP-A 300 X Plus
b01	Entry electrical cables			
c01	Cold water inlet	Male thread		G 1
c06	DHW outlet	Male thread		G 1
c10	DHW circulation	Male thread		G 1/2
d33	Heat generator flow	Female thread		G 1
d34	Heat generator return	Female thread		G 1
d45	Condensate drain	Male thread		G 3/4
g01	Air intake			
g02	Air discharge			
h22	Sensor heat source	Diameter	mm	9.6
h23	Sensor heat source optional	Diameter	mm	9.6
i43	Cover for manufacturing aperture			

# INSTALLATION Specification

## 16.2 Wiring diagram



D0000058930

# INSTALLATION

## Specification

A1	Electronic assembly (control unit)	R1	Resistance
A2	Electronic assembly (programming unit)	S1	DIP switch
C1	Condenser	S2	DIP switch
E1	Heating element	T1	Temperature sensor (cylinder top/integral)
F1	High limit safety cut-out TSR	T4	Temperature sensor, evaporator
F2	Motor overload relay M1	X0	Mains terminal
F3	High pressure limiter	X1	Terminals
F4	Fuse	X3	Terminals
G1	Impressed current anode	Behälter	Cylinder
M1	Compressor	Deckel	Cover
M2	Fan	Mantel	Jacket
N1	Thermostat TSR		

### 16.3 Fault conditions



#### WARNING Burns

In the case of a fault, temperatures up to the high limit safety cut-out limit can occur (see "Specification / Data table" chapter).

### 16.4 Data table

		SHP-A 220 Plus 238633	SHP-A 300 Plus 238634	SHP-A 300 X Plus 238635
<b>Hydraulic data</b>				
Nominal capacity	l	220	302	291
Surface area, indirect coil	m <sup>2</sup>			1.3
<b>Application limits</b>				
Max. DHW temperature with heat pump	°C	65	65	65
Max. DHW temperature with emergency/booster heater	°C	65	65	65
Max. permissible DHW temperature inside the cylinder	°C			70
High limit safety cut-out	°C	92	92	92
Min./max. application limits for heat source	°C	+6/+42	+6/+42	+6/+42
Minimum installation room volume (recirculation air mode, general domestic use)	m <sup>3</sup>	13	13	13
Maximum permissible operating pressure, cold water/DHW	MPa	0.8	0.8	0.8
Min./max. conductivity, drinking water	µS/cm	100-1500	100-1500	100-1500
<b>Output data to EN 16147</b>				
Nominal DHW temperature (EN 16147)	°C	55	55	55
Nominal load profile (EN 16147)		L	XL	XL
Reference DHW temperature (EN 16147 / A20)	°C	52.6	54.4	54.4
Reference DHW temperature (EN 16147 / A15)	°C	52.7	54.1	52.5
Reference DHW temperature (EN 16147 / A7)	°C	54.0	54.2	52.6
Maximum available nominal amount of DHW at 40 °C (EN 16147 / A20)	l	278	395	371
Maximum available nominal amount of DHW at 40 °C (EN 16147 / A15)	l	277	412	387
Maximum available nominal amount of DHW at 40 °C (EN 16147 / A7)	l	254	410	381
Rated heating output Prated (EN 16147/A20)	kW	1.6	1.52	1.43
Rated heating output Prated (EN 16147 / A15)	kW	1.45	1.63	1.41
Rated heating output Prated (EN 16147 / A7)	kW	1.01	1.14	1.07
Heat-up time (EN 16147 / A20)	h	6.06	9.05	9.05
Heat-up time (EN 16147 / A15)	h	6.65	8.83	9.60
Heat-up time (EN 16147 / A7)	h	8.78	12.52	12.43
Power consumption, standby period (EN 16147 / A20)	kW	0.022	0.024	0.028
Power consumption, standby period (EN 16147 / A15)	kW	0.027	0.028	0.032
Power consumption, standby period (EN 16147 / A7)	kW	0.035	0.040	0.044
COP (EN 16147 / A20)		3.55	3.51	3.51
COP (EN 16147 / A15)		3.20	3.26	3.30
COP (EN 16147 / A7)		2.68	2.79	2.75
<b>Heating output</b>				
Average heating output (A20 / W10-55)	kW	1.9	1.9	1.9
Average heating output (A15 / W10-55)	kW	1.6	1.6	1.6
Average heating output (A7 / W10-55)	kW	1.3	1.3	1.3

# INSTALLATION Specification

		SHP-A 220 Plus	SHP-A 300 Plus	SHP-A 300 X Plus
<b>Power consumption</b>				
Average power consumption of heat pump (A20/W10-55)	kW	0.5	0.5	0.5
Average power consumption of heat pump (A15/W10-55)	kW	0.5	0.5	0.5
Average power consumption of heat pump (A7/W10-55)	kW	0.5	0.5	0.5
Max. heat pump power consumption (excl. start-up)	kW	0.65	0.65	0.65
Power consumption, emergency/booster heater	kW	1.5	1.5	1.5
Max. power consumption, heat pump + emergency/booster heater	kW	2.15	2.15	2.15
<b>Energy data</b>				
DHW heating energy efficiency class (load profile), indoor air		A+ (L)	A+ (XL)	A+ (XL)
<b>Electrical data</b>				
Power supply		1/N/PE 220-240 V 50/60 Hz	1/N/PE 220-240 V 50/60 Hz	1/N/PE 220-240 V 50/60 Hz
Permissible voltage range, external signal transmitter		~ 220-240 V 50/60 Hz	~ 220-240 V 50/60 Hz	~ 220-240 V 50/60 Hz
Max. operating current	A	8.54	8.54	8.54
Max. starting current	A	23.44	23.44	23.44
Fuse protection	A	C16	C16	C16
<b>Sound emissions</b>				
Sound power level (EN 12102)	dB(A)	60	60	60
Average sound pressure level at 1 m distance, free field	dB(A)	45	45	45
<b>Versions</b>				
IP rating		IP 24	IP 24	IP 24
Refrigerant		R134a	R134a	R134a
Refrigerant charge	kg	0.85	0.85	0.85
Global warming potential of the refrigerant (GWP100)		1430	1430	1430
CO <sub>2</sub> equivalent (CO <sub>2</sub> e)	t	1.216	1.216	1.216
Power cable length approx.	mm	2000	2000	2000
<b>Dimensions</b>				
Height	mm	1501	1905	1905
Diameter	mm	690	690	690
Height when tilted	mm	1652	2026	2026
Height when tilted incl. packaging	mm	1895	2230	2230
Packing unit dimensions height/width/depth	mm	1740/740/740	2100/740/740	2100/740/740
<b>Weights</b>				
Weight, empty	kg	120	135	156
<b>Connections</b>				
Condensate connection		G 3/4 A	G 3/4 A	G 3/4 A
DHW circulation connection		G 1/2 A	G 1/2 A	G 1/2 A
Water connection		G 1 A	G 1 A	G 1 A
Heat exchanger connection				G 1
<b>Values</b>				
Type of anode		Impressed current anode	Impressed current anode	Impressed current anode
Air flow rate	m <sup>3</sup> /h	550	550	550
Recommended number of users		≤ 4	≤ 6	≤ 6

The output data refers to new appliances with clean heat exchangers.

Nominal data to EN 16147 - Recirculation air heat pump

## Further details

		SHP-A 220 Plus	SHP-A 300 Plus	SHP-A 300 X Plus
		238633	238634	238635
Maximum altitude for installation	m	2000	2000	2000

## 16.5 Appliance parameters

		SHP-A 220 Plus	SHP-A 300 Plus	SHP-A 300 X Plus
Reduced start hysteresis	K	6	6	6
Maximum temperature increase time	h	13	13	13
Maximum defrost time	min	60	60	60
Defrost end temperature	°C	3	3	3
minimum evaporator temperature	°C	-20	-20	-20
Recurring pressure fault	-	5	5	5
Pressure fault evaluation time	h	5	5	5
Compressor lockout time	min	20	20	20
Set rapid heating temperature	°C	65	65	65
Start temperature for the frost protection function	°C	8	8	8
Set temperature 1 (Factory setting)	°C	55	55	55

## Guarantee

The guarantee conditions of our German companies do not apply to appliances acquired outside of Germany. In countries where our subsidiaries sell our products a guarantee can only be issued by those subsidiaries. Such guarantee is only granted if the subsidiary has issued its own terms of guarantee. No other guarantee will be granted.

We shall not provide any guarantee for appliances acquired in countries where we have no subsidiary to sell our products. This will not affect warranties issued by any importers.

## Environment and recycling

We would ask you to help protect the environment. After use, dispose of the various materials in accordance with national regulations.

**REMARQUES PARTICULIÈRES**

**UTILISATION**

<b>1. Remarques générales</b>	<b>35</b>
1.1 Consignes de sécurité	35
1.2 Autres pictogrammes utilisés dans cette documentation	35
1.3 Unités de mesure	36
1.4 Données de performance selon la norme	36
<b>2. Sécurité</b>	<b>36</b>
2.1 Utilisation conforme	36
2.2 Consignes de sécurité générales	36
2.3 Label de conformité	37
<b>3. Description de l'appareil</b>	<b>37</b>
3.1 Principe de fonctionnement d'une pompe à chaleur	37
3.2 Production d'ECS	38
3.3 Fonctionnement de l'appareil hors des limites d'utilisation	38
3.4 Dégivrage	39
3.5 Protection hors gel	39
3.6 Durée de fonctionnement minimale et temps de pause minimal	39
3.7 Raccordement d'un générateur de signal externe	39
<b>4. Configuration</b>	<b>39</b>
4.1 Affichage et organes de commande	39
4.2 Configuration	40
4.3 Touche « Chauffage rapide »	42
4.4 Mise en arrêt d'urgence	43
<b>5. Maintenance et entretien</b>	<b>43</b>
<b>6. Dépannage</b>	<b>44</b>

**INSTALLATION**

<b>7. Sécurité</b>	<b>46</b>
7.1 Consignes de sécurité générales	46
7.2 Prescriptions, normes et réglementations	46
<b>8. Description de l'appareil</b>	<b>46</b>
8.1 Fourniture	46
8.2 Accessoires nécessaires	46
8.3 Autres accessoires	46
<b>9. Travaux préparatoires</b>	<b>46</b>
9.1 Manutention	46
9.2 Stockage	47
9.3 Lieu d'installation	47
9.4 Pose de l'appareil	48
<b>10. Montage</b>	<b>49</b>
10.1 Raccordement hydraulique	49
10.2 SHP-A 300 X Plus : Raccordement d'un générateur de chaleur externe	50
10.3 Écoulement des condensats	50
10.4 Raccordement électrique	51
10.5 Assemblage de l'appareil	53
<b>11. Mise en service</b>	<b>53</b>
11.1 Première mise en service	53
11.2 Remise en marche	54

<b>12. Configuration</b>	<b>54</b>
<b>13. Mise hors service</b>	<b>55</b>
<b>14. Aide au dépannage</b>	<b>55</b>
14.1 Codes de défauts	55
14.2 Réinitialisation du limiteur de sécurité	57
14.3 Protection thermique	57
<b>15. Entretien et maintenance</b>	<b>57</b>
15.1 Dépose du capot de l'appareil	57
15.2 Dépose de l'habillage	57
15.3 Nettoyer l'évaporateur	58
15.4 Vidange du ballon	58
15.5 Détartre la résistance d'appoint/de secours	58
15.6 Anode de protection	58
15.7 Vannes	58
15.8 Écoulement des condensats	58
15.9 Remplacement des câbles de raccordement électriques	59
15.10 Mise en place de l'habillage	59
15.11 Mise en place du capot de l'appareil	59
<b>16. Données techniques</b>	<b>60</b>
16.1 Cotes et raccords	60
16.2 Schéma électrique	62
16.3 Défaillances	64
16.4 Tableau des données	64
16.5 Paramètres de l'appareil	65

**GARANTIE**

**ENVIRONNEMENT ET RECYCLAGE**

# REMARQUES PARTICULIÈRES

- L'appareil peut être utilisé par des enfants de 8 ans et plus ainsi que par des personnes aux facultés physiques, sensorielles ou mentales réduites, ou par des personnes sans expérience, s'ils sont accompagnés ou qu'ils ont appris à l'utiliser en toute sécurité, et s'ils ont compris les dangers encourus. Ne laissez pas les enfants jouer avec l'appareil. Ne confiez pas le nettoyage ni les opérations de maintenance réservées aux utilisateurs à des enfants sans surveillance.
- Respectez la législation et les prescriptions nationales et locales en vigueur lors de l'installation.
- L'appareil n'est pas conçu pour un montage extérieur.
- Respectez les distances minimales (voir le chapitre « Installation / Travaux préparatoires / Mise en place de l'appareil »).

- Tenez compte des conditions rencontrées dans le local d'implantation (voir le chapitre « Données techniques / Tableau de données »).
- Si vous raccordez l'appareil à l'alimentation électrique par une installation fixe, il doit pouvoir être mis hors tension par un dispositif présentant une distance de sectionnement d'au moins 3 mm sur tous les pôles. À cet effet, on pourra utiliser des contacteurs, des disjoncteurs ou des protections.
- Veuillez respecter les mesures de protection contre les tensions de contact trop élevées.
- Respectez la valeur de protection électrique nécessaire pour l'appareil (voir chapitre « Données techniques / Tableau de données »).
- En cas d'endommagement ou d'échange, le câble de raccordement électrique ne doit être remplacé que par un installateur habilité par le fabricant et par une pièce de rechange d'origine (type de raccordement X).
- Le ballon d'eau chaude sanitaire de l'appareil est sous pression. Pendant la montée en température, l'eau d'expansion s'écoule par la soupape de sécurité.
- Actionnez la soupape de sécurité régulièrement afin de prévenir son grippage, notamment en raison des dépôts de calcaire.
- Vidangez l'appareil comme indiqué au chapitre « Maintenance et nettoyage / Vidange du ballon ».
- Installez une soupape de sécurité homologuée sur l'arrivée d'eau froide.
- La pression maximale dans la conduite d'arrivée d'eau froide doit être inférieure d'au moins 20 % à la pression de déclenchement de la soupape de sécurité. Installez impérativement un réducteur de pression si la pression maximale dans la conduite d'arrivée d'eau froide peut dépasser cette limite.
- La conduite d'évacuation doit être conçue de sorte que l'eau puisse s'écouler librement lorsque la soupape de sécurité est entièrement ouverte.
- Installez la conduite de purge de la soupape de sécurité avec une pente constante vers le bas dans un local à l'abri du gel.
- L'ouverture de purge de la soupape de sécurité doit être reliée à l'air libre.

# UTILISATION

## 1. Remarques générales

Les chapitres « Remarques particulières » et « Utilisation » s'adressent aux utilisateurs de l'appareil et aux installateurs.

Le chapitre « Installation » s'adresse aux installateurs.



### Remarque

Lisez attentivement cette notice avant l'utilisation et conservez-la soigneusement. Remettez cette notice au nouvel utilisateur le cas échéant.

### 1.1 Consignes de sécurité

#### 1.1.1 Présentation des consignes de sécurité



**MENTION D'AVERTISSEMENT Nature du danger**  
Sont indiqués ici les risques éventuellement encourus en cas de non-respect de la consigne de sécurité.

► Indique les mesures permettant de prévenir le danger.

#### 1.1.2 Pictogrammes, nature du danger

Pictogramme	Nature du danger
	Blessure
	Électrocution
	Brûlure (brûlure, ébullition)

#### 1.1.3 Mentions d'avertissement

MENTION D'AVERTISSEMENT	Signification
DANGER	Caractérise des consignes dont le non-respect entraîne de graves lésions, voire la mort.
AVERTISSEMENT	Caractérise des consignes dont le non-respect peut entraîner de graves lésions, voire la mort.
ATTENTION	Caractérise des consignes dont le non-respect peut entraîner des lésions légères ou moyennement graves.



### 1.2 Autres pictogrammes utilisés dans cette documentation



### Remarque

Le pictogramme ci-contre caractérise des consignes générales.


► Lisez attentivement les consignes.

Pictogramme	Signification
	Domages matériels (dommages touchant à l'appareil, dommages indirects et pollution de l'environnement)
	Recyclage de l'appareil

▶ Ce pictogramme signale une action à entreprendre. Les actions nécessaires sont décrites étape par étape.

□ □ ■ Ces symboles indiquent le niveau du menu du logiciel (dans cet exemple : 3e niveau).

### 1.3 Unités de mesure

 **Remarque**  
Sauf indication contraire, toutes les cotes sont indiquées en millimètres.

### 1.4 Données de performance selon la norme

Explication pour la détermination et l'interprétation des données de performance indiquées selon la norme

#### Norme : EN 16147

Les données de performance indiquées dans le texte, les diagrammes et la fiche technique ont été déterminées dans les conditions de mesure prescrites par la norme indiquée en titre de la présente section. En règle générale, ces conditions de mesure normalisées ne correspondent pas intégralement aux conditions existantes chez l'utilisateur.

Des écarts peuvent apparaître en fonction de la méthode de mesure choisie, notamment du degré de divergence entre la méthode choisie et les conditions spécifiées dans la norme indiquée en tête de la présente section. Les moyens de mesure, la configuration de l'installation, l'âge de l'installation et les débits sont d'autres facteurs influençant les résultats.

La validation des données de performances est possible uniquement si les mesures ont été effectuées dans les mêmes conditions que celles précisées dans la norme indiquée en titre du présent chapitre.

## 2. Sécurité

### 2.1 Utilisation conforme

L'appareil est destiné au chauffage de l'eau sanitaire dans le cadre des limites d'utilisation définies au chapitre « Données techniques / Tableau de données ».

L'appareil est conçu pour une utilisation domestique. Il peut être utilisé sans risque par des personnes qui ne disposent pas de connaissances techniques particulières. L'appareil peut également être utilisé dans un environnement non domestique, par exemple dans de petites entreprises, à condition que son utilisation soit de même nature.

Tout autre emploi est considéré comme non conforme. Une utilisation conforme de l'appareil implique également le respect de cette notice et de celles des accessoires utilisés.

### 2.2 Consignes de sécurité générales

N'utilisez cet appareil que s'il est installé dans son intégralité et doté de tous les dispositifs de sécurité.



#### AVERTISSEMENT Blessure

L'appareil peut être utilisé par des enfants de 8 ans et plus ainsi que par des personnes aux facultés physiques, sensorielles ou mentales réduites, ou par des personnes sans expérience, s'ils sont accompagnés ou qu'ils ont appris à l'utiliser en toute sécurité, et s'ils ont compris les dangers encourus. Ne laissez pas les enfants jouer avec l'appareil. Ne confiez pas le nettoyage ni les opérations de maintenance réservées aux utilisateurs à des enfants sans surveillance.



#### AVERTISSEMENT Électrocution

Risque de mort en cas de contact avec les composants conducteurs de courant. Une isolation ou des composants endommagés peuvent se révéler dangereux.

▶ Coupez l'alimentation électrique en cas d'endommagement de l'isolation et faites en sorte que l'appareil soit réparé.

Tous les travaux sur l'installation électrique doivent être réalisés par un installateur professionnel.



#### AVERTISSEMENT Brûlure

L'eau du ballon d'eau chaude sanitaire peut être chauffée à des températures supérieures à 60 °C. Risque de brûlure à des températures de sortie supérieures à 43 °C.

▶ Veillez à ne pas toucher l'eau à sa sortie du ballon.



#### AVERTISSEMENT Brûlure

Le contact avec des composants brûlants peut entraîner des lésions par brûlures.

▶ Portez des vêtements et des gants de protection pour tous les travaux à proximité de composants à température élevée.

Les conduites raccordées à la sortie d'eau chaude sanitaire de l'appareil peuvent atteindre une température supérieure à 60 °C.



#### AVERTISSEMENT Brûlure

En cas de panne, les températures peuvent atteindre la limite de température de sécurité (voir le chapitre « Données techniques / Tableau de données »).



#### AVERTISSEMENT Brûlure

L'appareil est rempli en usine de fluide frigorigène.

En cas de fuite de fluide frigorigène du fait d'un défaut d'étanchéité, empêchez tout contact avec ce dernier et évitez de respirer les vapeurs dégagées. Aérez les pièces concernées.



#### AVERTISSEMENT Électrocution

Il est interdit d'utiliser l'appareil avec l'habillage ouvert ou sans couvercle.



#### ATTENTION Blessure

Les objets posés sur l'appareil peuvent, par vibration, augmenter le bruit et provoquer des blessures en cas de chute.

▶ Ne posez aucun objet sur l'appareil.



## Description de l'appareil

**Dommages matériels**

Veillez à ce que l'appareil, les conduites d'eau et les soupapes de sécurité soient hors gel. L'appareil n'est protégé ni contre le gel ni contre la corrosion quand l'alimentation électrique est coupée.

► Ne mettez pas l'appareil hors tension.

Si l'alimentation électrique de l'anode à courant imposé et de l'électronique est séparée, l'appareil est protégé contre la corrosion.

**Dommages matériels**

Le lieu d'implantation de l'appareil doit être exempt d'air chargé en sel (contenant du chlore) ou en huile, ainsi que de toute substance agressive ou explosive. Sur le lieu d'implantation, évitez les charges de poussières, de laques pour cheveux ou de substances contenant du chlore ou de l'ammoniac.

**Dommages matériels**

L'obturation de l'entrée ou de la sortie d'air peut provoquer une réduction du débit d'air. La sécurité de fonctionnement de l'appareil n'est pas garantie en cas de réduction du débit d'air.

► Ne couvrez pas l'appareil.

**Dommages matériels**

L'appareil ne doit fonctionner qu'avec le ballon d'eau chaude sanitaire rempli. Si le ballon d'ECS est vide, un dispositif de sécurité arrête l'appareil.

**Dommages matériels**

Il est interdit de l'utiliser pour chauffer d'autres liquides que l'eau sanitaire.

**Remarque**

Le ballon d'eau chaude sanitaire de l'appareil est sous pression. Pendant la montée en température, l'eau d'expansion s'écoule par la soupape de sécurité.

► Appelez votre installateur si de l'eau goutte alors que la montée en température est achevée.

**2.3 Label de conformité**

Voir la plaque signalétique sur l'appareil.

**3. Description de l'appareil**

L'appareil prêt à être raccordé permet une alimentation efficace en eau chaude sanitaire de plusieurs points de soutirage tout en utilisant une énergie renouvelable. L'appareil extrait de la chaleur de l'air aspiré. Cette chaleur est utilisée pour réchauffer l'eau se trouvant dans le ballon d'eau chaude sanitaire par l'apport d'énergie électrique. Les besoins en énergie électrique et la durée de fonctionnement nécessaire au chauffage de l'eau sanitaire dépendent de la température de l'air aspiré. Quand la température de l'air aspiré diminue, la puissance calorifique de la pompe à chaleur diminue également et le temps de montée en température est rallongé.

La tour hydraulique est conçue pour un montage intérieur. L'appareil fonctionne sur air ambiant et ne nécessite pas d'air extérieur.

L'extraction de chaleur peut entraîner un refroidissement de l'air ambiant du local d'implantation de 1 °C à 3 °C env. L'appareil condense également l'humidité de l'air, qui se dépose sous forme de condensats. Ces condensats sont ensuite éliminés via l'évacuation des condensats.

L'appareil possède une régulation électronique à écran LCD. Vous pouvez p.ex. consulter la quantité actuellement disponible d'eau chaude mélangée à 40 °C. La régulation électronique facilite un réglage économe en énergie. La montée en température s'effectue automatiquement jusqu'à la température de consigne en fonction de l'alimentation électrique et de vos habitudes de consommation.

Le contact intégré permet de gérer des générateurs de signal externes, comme par exemple une installation photovoltaïque, pour utiliser l'électricité solaire auto-produite.

A l'ouverture d'un point de soutirage d'eau chaude, l'eau chaude sanitaire est chassée hors de l'appareil par l'eau froide qui entre dans le ballon.

Le circuit frigorifique occupe la partie supérieure de l'appareil. Le ballon d'eau chaude sanitaire occupe la partie inférieure de l'appareil. Le ballon d'eau chaude sanitaire est protégé contre la corrosion par un revêtement émaillé interne spécial et par une anode de protection non consommable à courant imposé.

**Dommages matériels**

L'appareil n'est protégé ni contre le gel ni contre la corrosion quand l'alimentation électrique est coupée.

► Ne mettez pas l'appareil hors tension.

**Quantité d'eau utilisable**

La quantité nominale d'eau chaude maximale de l'appareil est conçue pour le nombre d'utilisateurs recommandé avec une utilisation moyenne.

Si la quantité d'eau ne suffit pas malgré le respect du nombre d'utilisateurs recommandé, cela peut avoir les causes suivantes :

- Les besoins individuels en eau chaude sanitaire sont supérieurs à la moyenne.
- La conduite de circulation installée en option n'est pas suffisamment isolée.
- La pompe de circulation n'est pas à commande thermique ou par horloge.

**3.1 Principe de fonctionnement d'une pompe à chaleur**

Un circuit fermé à l'intérieur de l'appareil contient un fluide frigorigène (voir « Données techniques / Tableau des données »). Le fluide frigorigène a la propriété de s'évaporer, même à des températures relativement basses.

Le fluide frigorigène passe de l'état liquide à l'état gazeux dans l'évaporateur dont la fonction est d'extraire la chaleur de l'air aspiré. Un compresseur aspire le fluide frigorigène gazeux et le comprime. La température du fluide frigorigène augmente du fait de l'élévation de pression. Dans cette phase, de l'énergie électrique est requise. L'énergie (chaleur du moteur) n'est pas perdue, mais parvient dans le condenseur placé en aval avec le fluide frigorigène comprimé. Le fluide frigorigène cède alors la chaleur au ballon d'eau chaude sanitaire.

Enfin, la pression encore présente est abaissée à l'aide d'un détendeur et le cycle recommence depuis le début.



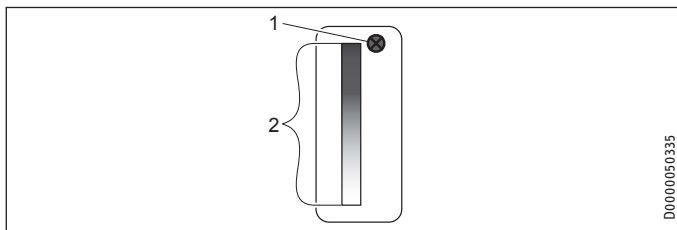
#### Remarque

Le fonctionnement du compresseur est interrompu pendant au moins une minute après toute coupure de l'alimentation électrique. L'électronique retarde d'une minute la mise en route afin de permettre l'initialisation de l'appareil.

Si le compresseur ne démarre pas au terme de ce délai, il peut être verrouillé par des dispositifs de sécurité auxiliaires (protection thermique du moteur et pressostat haute pression). Au terme d'un délai de 1 à 10 minutes, ce verrouillage doit être désactivé.

Après remise sous tension, l'appareil fonctionne selon les paramètres de réglage programmés avant l'interruption de tension.

### 3.2 Production d'ECS



- 1 Sonde supérieure
- 2 Sonde intégrale

L'appareil possède deux sondes de température.

- La sonde supérieure mesure la température de l'eau dans la partie supérieure du ballon tampon.
- La sonde intégrale est une sonde de température collée sur toute la hauteur du ballon tampon. La sonde intégrale mesure la température moyenne du ballon tampon.

La température de la partie supérieure du ballon mesurée par la sonde supérieure s'affiche sur l'écran de l'appareil. L'appareil régule en fonction de la température moyenne du ballon mesurée par la sonde intégrale.

Lorsque la quantité d'eau mélangée disponible baisse au niveau du pourcentage de quantité d'eau mélangée maximale paramétrée sous « Degré de charge », le chauffage de l'eau sanitaire s'enclenche.

Il est cependant possible que température mesurée par la sonde supérieure corresponde encore à la température de consigne.

Pour plus d'informations sur la durée de mise en température, voir le chapitre « Données techniques ». La quantité d'eau mélangée disponible est calculée sur la base de la température moyenne du ballon tampon. La quantité d'eau mélangée n'est calculée que si la température de l'eau dans la partie supérieure du ballon tampon excède 40 °C.

En règle général, le chauffage de l'eau sanitaire est effectué dans les limites d'utilisation avec la pompe à chaleur de l'appareil (voir le chapitre « Données techniques / Tableau de données »).

### Résistance électrique d'appoint/de secours

En cas de dysfonctionnement de l'appareil, en présence d'un code d'erreur qui clignote, vous pouvez activer la résistance électrique d'appoint ou de secours avec le mode chauffage de secours. Voir le chapitre « Réglages / Touche » Chauffage rapide« / Fonctionnement du chauffage de secours ».

En présence d'une augmentation imprévue de demande en eau chaude sanitaire, la touche « Chauffage rapide » permet d'activer le chauffage d'appoint / de secours en complément de la pompe à chaleur. Voir le chapitre « Réglages / Touche » Chauffage rapide« / Chauffage rapide / de confort ».

### SHP-A 300 X Plus : Raccordement d'un générateur de chaleur externe



#### Dommages matériels

L'alimentation électrique de l'appareil ne doit jamais être coupée, même s'il est raccordé à un générateur de chaleur externe, car il ne serait plus protégé contre le gel et la corrosion. Il en va de même en hiver, même s'il est possible d'assurer la totalité de la production d'ECS par le générateur de chaleur externe, l'alimentation électrique ne doit en aucun cas être coupée.

L'appareil est équipé d'un échangeur de chaleur à tube lisse intégré auquel il peut être raccordé un générateur de chaleur externe (p. ex. une installation solaire thermique ou le chauffage central). Le ballon d'eau chaude sanitaire est pourvu de doigts de gants disposés à diverses positions. L'accord de régulation entre l'appareil et le générateur de chaleur externe doit être effectué une fois pour toutes par l'installateur lors de la première mise en service.

### 3.3 Fonctionnement de l'appareil hors des limites d'utilisation

- Assurez-vous de maintenir l'appareil dans les limites d'utilisation pour en garantir le bon fonctionnement (voir chapitre « Données techniques / Tableau des données »).

#### 3.3.1 Limites d'utilisation pour le fonctionnement avec la pompe à chaleur

##### Températures ambiantes inférieures à la limite d'utilisation

Tout fonctionnement en dessous de la limite inférieure d'utilisation peut, selon l'humidité de l'air et la température de l'eau, provoquer un givrage de l'évaporateur. En cas de givrage de l'évaporateur, le contrôleur de dégivrage arrête le compresseur de la pompe à chaleur. Après le dégivrage de l'évaporateur, le compresseur est redémarré automatiquement.



#### Remarque

Le dégivrage de l'évaporateur prolonge le délai de montée en température.

##### Températures ambiantes supérieures à la limite d'utilisation

En cas de dépassement de la limite supérieure d'utilisation, les dispositifs de sécurité désactivent l'appareil. Après un temps de refroidissement de quelques minutes, l'appareil se réarme automatiquement. L'appareil est à nouveau désactivé si la température ambiante remonte au-dessus de la valeur autorisée.

### 3.4 Dégivrage

Des températures basses de l'air aspiré peuvent, selon l'humidité de l'air et la température de l'eau, provoquer un givrage de l'évaporateur. L'appareil est équipé d'une surveillance de dégivrage électronique. Pendant le processus de dégivrage, le chauffage de l'eau sanitaire est interrompu. Lors du dégivrage, l'appareil arrête le compresseur. Le ventilateur continue de fonctionner. Le processus de dégivrage n'est pas affiché sur l'écran de l'appareil.

Une durée maximale de dégivrage est enregistrée dans l'appareil. En cas de dépassement de la durée maximale de dégivrage, l'appareil termine le processus de dégivrage et déclenche la résistance électrique d'appoint / de secours.



#### Remarque

Le dégivrage de l'évaporateur prolonge le délai de montée en température.



#### Remarque

L'appareil lance le processus de dégivrage, au plus tard lorsque le temps de fonctionnement du compresseur atteint le délai programmé dans l'appareil, encore appelé « contrainte de dégivrage ».

### 3.5 Protection hors gel

Si la température enregistrée par le capteur intégral descend sous une limite, l'appareil active la protection hors gel. Voir le chapitre « Données techniques/paramètres de l'appareil ». L'appareil réchauffe l'eau à l'aide de la pompe à chaleur et de la résistance électrique d'appoint / de secours. La pompe à chaleur et la résistance électrique d'appoint / de secours se coupent quand la température du ballon d'eau chaude sanitaire mesurée par la sonde intégrale atteint 18 °C.

### 3.6 Durée de fonctionnement minimale et temps de pause minimal



#### Dommages matériels

Respectez les conditions suivantes en cas d'exploitation avec des dispositifs de commande externes qui interrompent l'alimentation électrique de l'appareil, comme des horloges de programmation, des systèmes de gestion de l'énergie ou des installations de domotique :

- La durée d'activation minimale est de 60 minutes.
- Le temps de pause minimal après l'arrêt est de 20 minutes.
- Le nombre de commutations Marche ou Arrêt ne doit pas dépasser 10 par jour.
- La capacité de l'actionneur de commutation doit répondre aux exigences quant à la protection électrique (voir chapitre « Données techniques / Tableau des données »).

### 3.7 Raccordement d'un générateur de signal externe



#### Remarque

Cette variante de raccordement doit exclusivement être réalisée par un électricien professionnel.

Le contact intégré permet de gérer des générateurs de signal externes, comme par exemple une installation photovoltaïque, pour utiliser l'électricité solaire auto-produite.

Une deuxième température de consigne est pré-réglée en usine sur l'appareil. Cette dernière s'active en présence d'un signal de commutation externe. La température de consigne 2 est prioritaire sur la température de consigne standard tant que le signal de commutation est émis. Après une seule activation (durée du signal pendant au moins 1 minute), la température de consigne 2 est valable pendant 20 minutes au minimum et a la priorité sur la température de consigne 1.

Vous pouvez modifier la température de consigne 2 sur l'appareil (voir chapitre « Réglages / Réglages / Température de consigne 2 »).

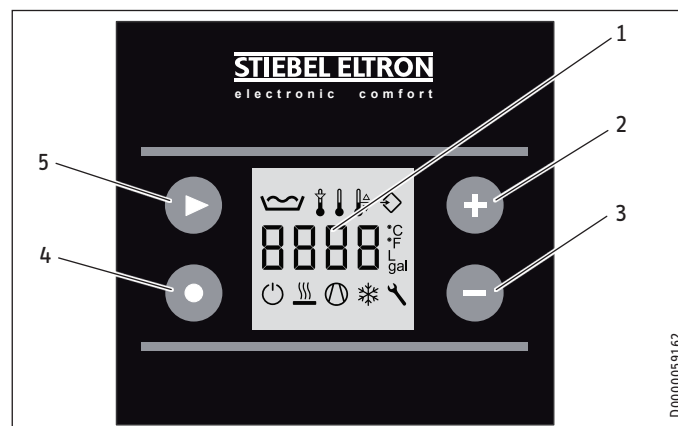
## 4. Configuration

### 4.1 Affichage et organes de commande



#### Remarque

L'appareil se commute à nouveau en affichage standard (volume d'eau mélangée) 15 secondes après chaque utilisation et enregistre la valeur réglée.



- 1 Affichage
- 2 Touche « Plus »
- 3 Touche « Moins »
- 4 Touche « Chauffage rapide »
- 5 Touche « Menu »

#### 4.1.1 Symboles

Pictogramme	Description
	Volume d'eau mélangée : La quantité actuellement disponible d'eau mélangée à 40 °C pour une température de 15 °C de l'eau froide est affichée.
	Température réelle : La température réelle s'affiche. La température réelle indique la température de la partie supérieure du ballon d'eau chaude sanitaire et correspond ainsi très largement à la température de sortie.
	Température de consigne
	Générateur de signal externe : La température de consigne 2 est la température de l'eau chaude sanitaire à laquelle l'appareil est réglé quand un signal externe est connecté et actif.

# UTILISATION

## Configuration

Pictogramme	Description
	Stand-by : Le symbole clignote lorsque le système électronique et la charge (compresseur) de l'appareil sont mis sous tension séparément. Cette variante de raccordement est p. ex. nécessaire lorsque l'appareil doit fonctionner à partir des prises commutables d'un système de gestion de l'énergie (voir chapitre « Raccordement électrique »).
	Résistance électrique d'appoint/de secours : ce symbole s'affiche en cas de demande à ces composants de l'appareil. La résistance électrique de secours / d'appoint n'est pas obligatoirement en fonctionnement à l'affichage du symbole.
	Pompe à chaleur : ce symbole s'affiche en cas de demande à ces composants de l'appareil. Le compresseur n'est pas obligatoirement en fonctionnement à l'affichage du symbole.
	Dégivrage actif
	Service / Défaut : En cas d'affichage du symbole « Service / Défaut », informez votre installateur. Si le symbole reste allumé en permanence, le défaut signalé n'est pas de nature à entraver le fonctionnement de l'appareil. Si le symbole « Service / Défaut » clignote, l'eau n'est pas chauffée et il est impératif d'en informer l'installateur. La commutation de l'appareil en mode chauffage de secours constitue un cas particulier. La résistance électrique d'appoint / de secours chauffe l'eau bien que le symbole Service / Défaut clignote.

Les symboles « Chauffage électrique de secours / d'appoint » et « Pompe à chaleur » restent affichés, en cas de sollicitation de ces composants. Le chauffage électrique de secours / d'appoint et la pompe à chaleur ne sont pas obligatoirement en fonctionnement à l'affichage des symboles.

Exemple : L'appareil est en mode « Chauffage rapide / de confort ». Le chauffage électrique de secours / d'appoint se coupe, lorsque la partie supérieure du ballon atteint 65 °C. La pompe à chaleur n'a pas encore réchauffé la partie inférieure à 65 °C et, par conséquent, la phase « Chauffage rapide / de confort » n'est pas encore achevée. Le symbole « Résistance électrique de secours / d'appoint » reste affiché jusqu'à la fin de la fonction Chauffage rapide / de confort.

## 4.2 Configuration

### ■ Menu

En affichage standard, l'écran affiche le volume d'eau mélangé.

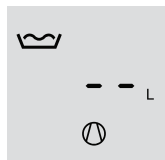
La touche « Menu » permet d'appeler successivement toutes les informations et les possibilités de configuration. Le symbole respectif s'affiche.

- Affichage « Quantité d'eau mélangée »
- Affichage « Température réelle »
- Température de consigne 1
- Température de consigne 2
- Changement des unités
- Taux de chargement
- Code d'erreur
- Code d'erreur E

### ■ Affichage « Quantité d'eau mélangée »



La quantité actuellement disponible d'eau mélangée à 40 °C pour une température de 15 °C de l'eau froide est affichée.

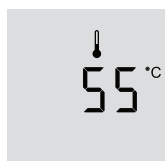


Si le volume d'eau mélangée disponible est inférieur à 10 litres, la mention « -- L » est affichée.

Besoins en eau chaude sanitaire pour	Quantité d'eau mélangée à 40 °C
Bain	120-150 l
Douches	30-50 l
Lavage des mains	2-5 l

La quantité d'eau mélangée pouvant être obtenue dépend de la taille du ballon et de la température de consigne réglée.

### ■ Affichage « Température réelle »



Dans le menu « Quantité d'eau mélangée », appuyez une fois sur la touche « Menu » pour accéder au menu « Température réelle ».

Le symbole « Température réelle » s'affiche.

La température réelle s'affiche. La température réelle indique la température de la partie supérieure du ballon d'eau chaude sanitaire et correspond très largement à la température de sortie.

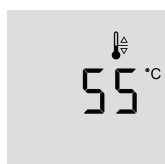
### ■ Température de consigne 1



#### Remarque

Pour des raisons d'hygiène, ne réglez pas la température de l'eau chaude en dessous de 50 °C.

La température de consigne 1 est la température de l'eau chaude sanitaire à laquelle l'appareil est réglé si aucun signal externe n'est connecté ni actif.



Appuyez une fois sur la touche « Menu » dans le menu « Température réelle » pour accéder au menu « Température de consigne 1 ».

Le symbole « Température de consigne 1 » s'affiche.

Cette valeur est modifiable à l'aide des touches « Plus » et « Moins ». Plage de réglage : 20 - 65 °C



# UTILISATION

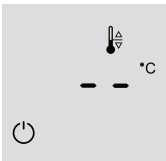
## Configuration



### Remarque

Le réglage de la température de consigne 1 est également accessible à l'aide des touches « Plus » ou « Moins » à partir de l'affichage standard (volume d'eau mélangée).

### Protection hors gel



Si vous réglez la température de consigne sur moins de 20 °C avec la touche « Moins », seule la protection hors gel est encore active. La mention « -- °C » s'affiche.

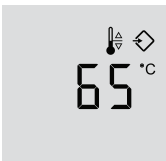
### Température de consigne 2



### Remarque

Pour des raisons d'hygiène, ne réglez pas la température de l'eau chaude en dessous de 50 °C.

La température de consigne 2 est la température de l'eau chaude sanitaire à laquelle l'appareil est réglé quand un signal externe est connecté et actif.



Appuyez une fois sur la touche « Menu » dans le menu « Température de consigne 1 » pour accéder au menu « Température de consigne 2 ». Le symbole « Générateur de signal externe » apparaît.



Cette valeur est modifiable à l'aide des touches « Plus » et « Moins ». Plage de réglage : 20 - 65 °C



### Fonctionnement avec un signal externe



### Dommages matériels

Voir « Plage de tension autorisée du générateur de signal externe » au chapitre « Données techniques / Tableau des données ».

Les appareils sont conçus de série de manière à pouvoir attribuer une valeur de consigne de l'eau chaude sanitaire propre et distincte (« Température de consigne 2 ») à un signal externe, comme par exemple une installation PV ou un signal heures creuses. Cette température de consigne 2 est activée en présence d'un signal sur la borne prévue pour le générateur de signal externe (voir chapitre « Raccordement électrique / Variante de connexion avec générateur de signal externe »). Pendant sa période d'activation, la température de consigne 2 remplace la valeur de consigne standard de température de l'eau chaude sanitaire (« Température de consigne 1 »).

La température de consigne 2 est activée pour une durée minimale de fonctionnement de 20 minutes quand cette activation a été initiée par le générateur de signal externe. Si, au terme de ces 20 minutes, le signal externe est encore actif, le compresseur continue de fonctionner jusqu'à la disparition du signal externe

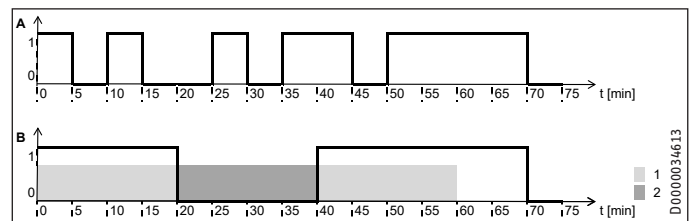
ou jusqu'à ce que la température de consigne 2 soit atteinte. La température de consigne 1 programmée est ensuite réactivée.

Quand la valeur de consigne de la température de l'eau chaude sanitaire correspondante est atteinte, le compresseur s'éteint et reste éteint pour une durée minimale de 20 minutes.

Le graphique ci-dessous illustre ce cas à partir d'un exemple de courbe de signal externe.

Exemple :

Température de l'eau	°C	55
Température de consigne 1	°C	50
Température de consigne 2	°C	65



A Signal externe

B Compresseur

- 20 minutes durée d'activation minimale de la température de consigne 2
- 20 minutes durée minimale de la phase de repos du compresseur



### Remarque

Il faut appliquer un signal externe pendant 60 secondes au minimum pour qu'il soit pris en compte par la régulation. Ceci empêche par exemple qu'un rayonnement solaire de quelques secondes seulement démarre un processus de chauffe, qui, en raison du manque du soleil consécutif, ne pourra pas par la suite être alimenté par l'électricité provenant de l'installation photovoltaïque.

### Changement des unités

Vous avez le choix entre un affichage des températures et des volumes en unités SI (métriques) ou en unités américaines. Si vous paramétrez 1, les valeurs s'affichent en Celsius et en litres. Si vous paramétrez 0, les valeurs s'affichent en Fahrenheit et en gallons.



Appuyez sur la touche « Menu » jusqu'à ce que la mention « SI » apparaisse.



Réglez l'affichage en unités SI (1) ou US (0) à l'aide des touches « Plus » et « Moins ».





# UTILISATION

## Configuration

### ■ Taux de chargement


Si la quantité d'eau mélangée minimale disponible à la température de consigne paramétrée ne suffit pas, il est possible de réduire l'hystérésis du chauffage d'appoint en augmentant le degré de charge. Ceci augmente la quantité minimale d'eau chaude disponible. L'effet équivaut à un décalage virtuel vers le bas de la sonde de température, ce qui améliore le confort eau chaude sanitaire. Cela nuit légèrement à l'efficacité de l'appareil.

Lorsque la quantité d'eau mélangée disponible baisse au niveau du pourcentage de quantité d'eau mélangée maximale paramétrée sous « Degré de charge », le chauffage de l'eau sanitaire s'enclenche.

	Réglage d'usine
Taux de chargement	% 40


La quantité d'eau mélangée affichée se réfère à une température d'eau mélangée de 40 °C. Pour les températures de l'eau inférieures à 40 °C ( $\pm 1$  K), la quantité d'eau mélangée n'est ni calculée, ni affichée.

Autre condition d'enclenchement interférant avec les conditions d'enclenchement selon le degré de charge : la baisse de la température mesurée par la sonde supérieure de 6 K en dessous de la température de consigne active.



Appuyez sur la touche « Menu » jusqu'à ce qu'un « L » suivi d'un chiffre s'affiche. Cette valeur est modifiable à l'aide des touches « Plus » et « Moins ». Plage de réglage : 30 - 100 %

### ■ Code d'erreur




Si le symbole « Service / Défaut » s'allume ou clignote, il est possible d'interroger le code d'erreur à l'aide de la touche « Menu ». En l'absence de dysfonctionnement, ce menu n'est pas activé.

Voir le chapitre « Aide au dépannage / Code d'erreur ».

### ■ Code d'erreur E

En cas de défaut sur le circuit frigorifique, un code d'erreur précédé d'un E apparaît. Veuillez en informer un installateur.

## 4.3 Touche « Chauffage rapide »



**Remarque**  
L'affichage doit se trouver à l'écran initial pour pouvoir enclencher le chauffage rapide / de confort en pressant la touche « Chauffage rapide ».



Appuyez sur la touche « Chauffage rapide » pendant deux secondes.

Les symboles « Pompe à chaleur » et « Résistance électrique d'appoint / de secours » apparaissent.


### 4.3.1 Chauffage rapide / de confort

En conditions normales, activez la fonction Chauffage rapide / de confort en appuyant sur la touche « Chauffage rapide », afin de couvrir un besoin élevé et imprévu en eau chaude sanitaire, sans pour autant modifier les réglages de base de l'appareil.


Si vous activez le chauffage rapide / de confort manuellement par appui sur la touche, la pompe à chaleur et la résistance électrique d'appoint / de secours entrent en fonctionnement parallèlement, indépendamment de la température de consigne programmée, jusqu'à ce que la température de l'eau chaude sanitaire du ballon ait atteint 65 °C.

Si la température de l'eau dans la partie supérieure du ballon tampon dépasse d'une valeur d'hystérésis la température de consigne à la sonde supérieure, la résistance électrique d'appoint / de secours se coupe. La résistance électrique d'appoint / de secours reste en stand-by jusqu'à ce que le ballon d'eau chaude sanitaire ait intégralement atteint la température de consigne. Le clignotement du symbole « Résistance électrique de secours / d'appoint » indique que la résistance électrique de secours / d'appoint est prête à intervenir.

Le chauffage rapide/de confort reste activé, jusqu'à ce que les 65 °C soient atteints dans la totalité du ballon d'eau chaude sanitaire (chauffage de confort). L'appareil revient ensuite automatiquement sur les paramètres précédemment programmés.



**Remarque**  
Les symboles « Résistance électrique d'appoint / de secours » et « Pompe à chaleur » restent affichés jusqu'à la fin du Chauffage rapide / de confort.



**Remarque**  
Si vous souhaitez couper le chauffage rapide / de confort, appuyez sur la touche « Chauffage rapide » pendant deux secondes.

### 4.3.2 Fonctionnement du chauffage de secours

En cas de dysfonctionnement de l'appareil, il est possible d'utiliser la résistance électrique d'appoint / de secours via la fonction Chauffage de secours.

Après une demande d'eau chaude, l'appareil contrôle l'augmentation de la température toutes les 15 minutes. Si l'augmentation de la température est inférieure à 0,25 °C sur chaque intervalle de mesure jusqu'à la fin de la durée maximale d'augmentation de la température (voir le chapitre « Données techniques »), l'appareil coupe le compresseur. Le symbole « Service / Défaut » clignote à l'écran et un code d'erreur indique que l'appareil ne chauffe pas.



Appuyez sur la touche « Chauffage rapide » pendant deux secondes.

Le symbole « Résistance électrique d'appoint / de secours » apparaît. Le symbole « Service / Défaut » clignote.

Après cette pression, le code d'erreur affiché augmente d'une valeur égale à 256, car les codes d'erreur s'ajoutent (voir tableaux de codes d'erreur au chapitre « Aide au dépannage »). Le symbole « Service / Défaut » continue à clignoter. La résistance électrique d'appoint / de secours est activée.

La température de consigne actuelle (température de consigne 1 ou 2) est ignorée. En mode chauffage de secours, l'appareil fonctionne à une température de consigne fixe. Dans la partie supérieure du ballon tampon, l'eau sanitaire est chauffée par la résistance électrique de secours / d'appoint jusqu'à 65 °C.

La fonction Chauffage de secours est activée pour une durée de 7 jours après une simple pression sur la touche « Chauffage rapide ».

Après 7 jours de fonctionnement en mode secours, La résistance électrique d'appoint / de secours est désactivée. Le code d'erreur affiché à l'écran est diminué d'une valeur égale à 256.

Toute nouvelle pression de deux secondes sur la touche de « Chauffage rapide » au cours des 7 jours de fonctionnement en mode chauffage de secours réinitialise à 7 jours la séquence continue dudit chauffage de secours.

Au terme de la séquence de 7 jours de chauffage de secours, la fonction peut être redémarrée pour une nouvelle séquence de sept jours par simple pression sur la touche « Chauffage rapide ».

La pression sur la touche « Chauffage rapide » déclenche le chauffage de secours uniquement si un dysfonctionnement identifié par le code d'erreur 8 est survenu auparavant. En fonctionnement normal, la pression sur la touche « Chauffage rapide » enclenche un seul réchauffement du ballon d'eau chaude sanitaire.

Le mode de chauffage de secours n'est pas réactivé après une coupure de l'alimentation. L'appareil essaie à nouveau de chauffer avec la pompe à chaleur. Pour éviter d'avoir à attendre la fin de la durée d'augmentation de la température (voir le chapitre « Données techniques »), vous pouvez lancer manuellement le mode chauffage de secours.

### Mode chauffage de secours manuel

En cas de défaut et en l'absence de code d'erreur indiqué, vous pouvez activer le mode chauffage de secours.



Maintenez les touches « Plus » et « Moins » enfoncées. Appuyez en plus sur la touche « Menu » et maintenez les trois touches enfoncées pendant 5 secondes.

Le symbole « Résistance électrique d'appoint / de secours » apparaît. Le symbole « Service / Défaut » clignote.

### 4.4 Mise en arrêt d'urgence

Procédez comme suit en cas d'urgence :

- ▶ Déconnectez l'alimentation électrique en débranchant la prise ou en coupant le disjoncteur.
- ▶ Coupez l'arrivée d'eau froide.
- ▶ Informez sans délai un installateur, car l'appareil n'est pas protégé contre la corrosion quand l'alimentation électrique est coupée.

## 5. Maintenance et entretien



**AVERTISSEMENT Électrocution**  
 Ne nettoyez que l'extérieur de l'appareil. Ne tentez pas d'ouvrir l'appareil. N'introduisez pas d'objets à l'intérieur de l'appareil par la grille.  
 Ne nettoyez pas l'appareil au jet.  
 Ne projetez pas d'eau à l'intérieur de l'appareil.



**AVERTISSEMENT Blessure**  
 Les travaux de maintenance comme le contrôle de la sécurité électrique doivent être réalisés uniquement par un professionnel.

Composants de l'appareil	Conseils d'entretien
Habillage	Un chiffon humide suffit pour l'entretien des éléments de l'habillage. N'utilisez aucun produit de nettoyage abrasif ou corrosif.
Grille d'aspiration / de refoulement de l'air	Nettoyez tous les six mois les grilles d'aspiration / de refoulement de l'air. Les toiles d'araignée ou autre encrassement peuvent entraver l'aspiration d'air de l'appareil.
Ballon d'eau chaude sanitaire	Le ballon d'eau chaude sanitaire est protégé contre la corrosion par une anode à courant imposé sans entretien. L'appareil doit rester sous tension quand le ballon contient de l'eau, afin de permettre à l'anode de protéger l'appareil. Dans le cas contraire, il y a risque de corrosion.
Résistance électrique d'appoint/de secours	Faites détartrer la résistance électrique d'appoint / de secours de temps en temps. Cette opération prolonge nettement la durée de vie de la résistance électrique d'appoint / de secours.
Appareil	Faites contrôler régulièrement le groupe de sécurité et l'évaporateur par un installateur.
Écoulement des condensats	Dévissez le coude d'évacuation des condensats. Contrôlez le bon écoulement des condensats et ôtez toutes les saletés sur le raccord « d'évacuation des condensats ».

### Entartrage

Presque tous les types d'eau entraînent l'apparition de calcaire à des températures élevées. Celui-ci se dépose dans l'appareil et affecte son fonctionnement et sa longévité. L'installateur, qui connaît la qualité de l'eau locale, vous indiquera les intervalles de maintenance à respecter.

- ▶ Contrôlez régulièrement les robinetteries. Vous pouvez éliminer le tartre au niveau des becs de robinetterie avec les produits de détartrage du commerce.
- ▶ Actionnez la soupape de sécurité régulièrement afin de prévenir son grippage, notamment en raison des dépôts de calcaire.



### 6. Dépannage



#### Remarque

Certains points se réfèrent aux paramètres d'appareil. Voir le chapitre Données techniques.

Erreur	Cause	Remède
L'eau chaude sanitaire n'est pas chauffée.	L'appareil n'est pas sous tension.  Un disjoncteur sur le tableau électrique du bâtiment a sauté.	Vérifiez que l'appareil est bien sous tension.  Contrôlez si les disjoncteurs du tableau de répartition de la maison se sont déclenchés. Déconnectez l'appareil, le cas échéant, de l'alimentation électrique et réarmez le disjoncteur. Si le disjoncteur saute à nouveau après remise de l'appareil sous tension, contactez un installateur.
	Les données de performance indiquées pour l'appareil sont établies conformément à la norme pour la température d'aspiration indiquée dans le tableau des données. En dessous de cette température, l'efficacité et les performances de l'appareil diminuent. La durée de mise en température augmente.	Aucune intervention n'est nécessaire.
De l'eau s'écoule de la soupape de sécurité du ballon d'eau chaude sanitaire.	Le ballon de l'appareil est soumis à la pression de la conduite d'eau. Pendant le réchauffement, de l'eau d'expansion peut s'écouler de la soupape de sécurité.	Appelez un installateur si de l'eau coule toujours alors que la montée en température est terminée.
L'écoulement des condensats goutte.	La température de surface de l'évaporateur est inférieure à la température du point de rosée de l'air ambiant. Il en résulte un condensat.	Le volume de condensats dépend de l'humidité de l'air.
La température ambiante baisse.	la température ambiante peut baisser de 1 à 3 °C du fait du fonctionnement de l'appareil, car celui-ci prélève de l'énergie tirée de l'air.	Vérifiez la taille de la pièce si la température ambiante descend de plus de 5 °C (voir chapitre « Données techniques / Tableau de données »). Il faut donc un apport d'énergie, qui peut être réalisé par l'ouverture d'une porte vers une autre pièce.
Consommation électrique élevée	Plus la température d'aspiration est basse, moins la pompe à chaleur est efficace.	Dans la mesure du possible, évitez les fortes températures de consigne et le recours au chauffage rapide.
Le symbole « Service / Défaut » est allumé en permanence.	Voir le chapitre « Codes d'erreur ».	Veillez en informer un installateur. Le symbole « Service / Défaut » allumé en permanence indique qu'une erreur est survenue et que la pompe à chaleur ne chauffe plus.
Le symbole « Service / Défaut » clignote et l'eau ne chauffe pas.	Voir le chapitre « Codes d'erreur ».	Contactez impérativement un installateur dans les plus brefs délais. Le symbole « Service / Défaut » clignotant indique qu'une erreur est survenue et que la pompe à chaleur ne chauffe plus.
Le symbole « Dégivrage » s'affiche.	L'appareil est en mode dégivrage.	Aucune intervention n'est nécessaire.

Erreur	Cause	Remède
Le voyant « Pompe à chaleur clignote ».	Il y a une demande de chaleur mais le compresseur est verrouillé.	Aucune intervention n'est nécessaire. Le compresseur se remet automatiquement en marche après le temps de verrouillage. Le clignotement du voyant s'arrête automatiquement.
Le voyant « Résistance électrique d'appoint et de secours » clignote.	Durant la phase de chauffage rapide, un thermostat a désactivé la résistance électrique d'appoint ou de secours.	Aucune intervention n'est nécessaire. L'appareil poursuit le chauffage rapide au moyen de la pompe à chaleur. Le voyant arrête de clignoter lorsque le régulateur donne de nouveau l'autorisation de chauffage à la résistance électrique d'appoint ou de secours. Le voyant s'éteint lorsque toute l'eau contenue dans le ballon d'ECS a atteint la température de consigne du chauffage rapide.
Le voyant « Résistance électrique d'appoint ou de secours » est allumé mais celle-ci est inactive.	Le voyant « Résistance électrique d'appoint ou de secours » est allumé lorsqu'il y a une demande de chaleur. Il est possible que le thermostat interne de la résistance électrique d'appoint ou de secours ait terminé la montée en température. La cause du défaut peut éventuellement provenir de la résistance électrique d'appoint ou de secours. La cause peut éventuellement être le déclenchement du limiteur de sécurité.	Faites vérifier par un professionnel que le thermostat de la résistance électrique d'appoint ou de secours est correctement réglé. Le bouton du régulateur doit être tourné dans le sens antihoraire jusqu'en butée. Faites vérifier le limiteur de sécurité par un professionnel.


#### Code d'erreur


Si le symbole « Service / Défaut » reste allumé en permanence à l'écran ou s'il clignote, vous pouvez appeler l'affichage du code d'erreur.



Appuyez sur la touche « Menu » autant de fois que nécessaire pour afficher le code d'erreur.

	Description de l'erreur	Remède
2	Fixe, allumé La sonde supérieure est défectueuse. L'affichage de la température réelle commute de la sonde supérieure vers la sonde intégrale. L'appareil continue de chauffer sans pertes de confort. La quantité d'eau mélangée ne peut pas être calculée ; elle est indiquée par « - - ».	Veillez en informer un installateur.

		Description de l'erreur	Remède
4	Fixe, allumé	La sonde intégrale est défectueuse. Si la sonde intégrale est défectueuse, la valeur prise est celle de la sonde de la partie supérieure et le volume d'eau mélangée est calculé selon cette valeur. L'appareil continue de chauffer selon une hystérésis de démarrage réduite. La quantité d'eau mélangée continue d'être calculée en supposant que la température de la partie supérieure règne dans tout le ballon d'eau chaude sanitaire.	Veillez en informer un installateur.
6	Clignotement	La sonde supérieure et la sonde intégrale sont défectueuses. L'appareil ne chauffe plus.	Veillez en informer un installateur.
8	Clignotement	Malgré une demande durant la durée maximale d'augmentation de la température, l'appareil n'a constaté aucune montée en température de l'eau dans le ballon.	Vous pouvez provisoirement continuer d'utiliser l'appareil en pressant la touche « Chauffage rapide » pour activer le mode chauffage de secours. Voir chapitre « Description de l'appareil / Fonctionnement du chauffage de secours ».
16	Fixe, allumé	Un court-circuit à l'anode à courant imposé est survenu ou l'anode de protection est défectueuse.	Informez sans délai un installateur, car l'appareil n'est plus protégé contre la corrosion en cas de défaillance de l'anode à courant imposé.
32	Clignotement	L'appareil n'est pas exploité avec un ballon d'eau chaude sanitaire entièrement rempli. L'appareil ne chauffe pas.  Le courant de l'anode est interrompu. L'appareil ne chauffe pas.	Remplissez le ballon d'eau chaude sanitaire de l'appareil. Le code d'erreur disparaît et l'appareil reprend son fonctionnement.  Veillez en informer un installateur.
64	Fixe, allumé	La température finale de dégivrage n'est pas atteinte alors que la durée de dégivrage maximale est écoulée. Le compresseur ne fonctionne pas.  La température de l'air aspiré est en dessous de la limite d'utilisation inférieure.	Le défaut se réinitialise de lui-même lorsque la température de l'évaporateur atteint la température finale de dégivrage.  Attendez que la température ambiante remonte. Assurez-vous que la valeur ne soit pas en dessous de la limite d'utilisation.
128	Fixe, allumé	Il n'y a pas de communication entre le régulateur et l'unité de commande. Les derniers réglages des valeurs de consigne sont actifs. L'appareil continue de chauffer.	Veillez en informer un installateur.
256	Clignotement	Fonctionnement du chauffage de secours déclenché manuellement (uniquement chauffage électrique d'appoint / de secours actif)	Voir chapitre « Description de l'appareil / Fonctionnement du chauffage de secours ».
E 2	Clignotement	La sonde de température à l'évaporateur est défectueuse.	Veillez en informer un installateur.
E 16	Fixe, allumé	Le pressostat haute pression s'est déclenché. Le fonctionnement du chauffage avec le compresseur est temporairement bloqué. Dès que la pression s'est normalisée, le fonctionnement du chauffage du compresseur reprend.	Attendez que la pression se soit normalisée.
E 32	Fixe, allumé	Un défaut électrique s'est produit.	Veillez en informer un installateur.
E 64	Clignotement	Température à l'évaporateur < Température minimale à l'évaporateur	Veillez en informer un installateur.

		Description de l'erreur	Remède
E 128	Clignotement	Présence d'un défaut continu du pressostat. Un défaut de pression s'est produit à répétition pendant une durée d'analyse définie pour le défaut de pression.	Veillez en informer un installateur.

Si plusieurs erreurs surviennent, les codes d'erreur s'additionnent.

Exemple : À l'écran le code d'erreur 6 (2+4) s'affiche lorsque la sonde supérieure et la sonde intégrale sont défectueuses.

### Cas d'application pour le fonctionnement du chauffage de secours

Si l'appareil affiche le code d'erreur 8, vous pouvez activer manuellement le mode chauffage de secours. Si précédemment une autre erreur s'est affichée n'ayant pas provoqué l'arrêt de l'appareil, un code d'erreur peut apparaître à l'écran, représentant la somme de plusieurs erreurs. Le tableau ci-dessous indique les codes d'erreur pour lesquels vous pouvez activer le mode Chauffage de secours.

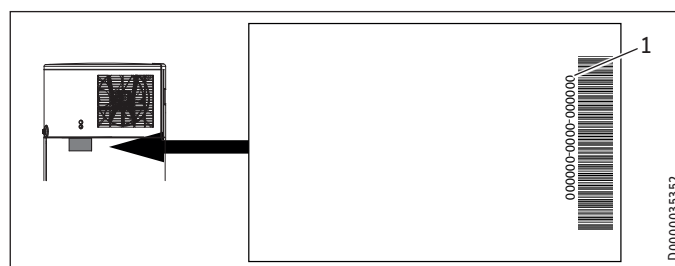
Codes d'erreur affichés	
8	8
10	Code d'erreur 8 + Code d'erreur 2
12	8+4
24	8+16
26	8+2+16
28	8+4+16
138	8+2+128
140	8+4+128
152	8+16+128
154	8+2+16+128
156	8+4+16+128

En mode Chauffage de secours, le code d'erreur affiché est augmenté de la valeur 256.

### Appel d'un installateur

Appelez l'installateur si vous ne réussissez pas à éliminer la cause du problème. Pour obtenir une aide efficace et rapide, communiquez-lui le numéro indiqué sur la plaque signalétique (000000-0000-000000). La plaque signalétique est à gauche au-dessus du raccord « Sortie ECS ».

### Exemple de plaque signalétique



1 Numéro sur la plaque signalétique

# INSTALLATION

## 7. Sécurité

L'installation, la mise en service, la maintenance et les réparations de cet appareil doivent exclusivement être confiées à un installateur.

### 7.1 Consignes de sécurité générales

Nous garantissons le bon fonctionnement et la sécurité de fonctionnement de l'appareil uniquement si les accessoires et pièces de rechange utilisés sont d'origine.

### 7.2 Prescriptions, normes et réglementations



#### Remarque

Respectez toutes les prescriptions et réglementations nationales et locales en vigueur.

Tenez compte de la plaque signalétique de l'appareil et du chapitre Données techniques.

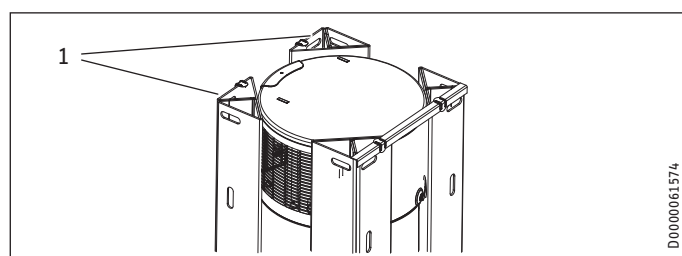
## 8. Description de l'appareil

### 8.1 Fourniture



#### Remarque

Les accessoires sont placés dans les coins du carton. Retirez les accessoires avant d'éliminer l'emballage.



1 Coins du carton

Sont fournis avec l'appareil :

- un coude d'évacuation des condensats
- Pour les raccordements « Arrivée eau froide » et « Sortie eau chaude » : 2 raccords filetés isolants constitués par un tube à collet battu, un joint, un écrou tournant et une gaine isolante.

### 8.2 Accessoires nécessaires

Divers groupes de sécurité sont disponibles selon la pression d'alimentation. Ces groupes de sécurité homologués protègent l'appareil des excès de pression non autorisés.

### 8.3 Autres accessoires

- pompe de relevage de condensats (lorsque les condensats ne peuvent pas être évacués par pente naturelle)

## 9. Travaux préparatoires

### 9.1 Manutention



#### ATTENTION Blessure

- ▶ Prenez en compte le poids de l'appareil.
- ▶ Déplacez l'appareil à l'aide d'outils de manutention adaptés (diable, p. ex.) et faites appel à suffisamment de personnel.



#### Dommmages matériels

- Le centre de gravité de l'appareil est élevé et le couple de renversement est faible.
- ▶ Sécurisez l'appareil pour éviter toute chute.
  - ▶ N'installez l'appareil que sur un sol plan.



#### Dommmages matériels

L'habillage de l'appareil n'est pas conçu pour absorber des contraintes élevées. En cas de transport non conforme, des détériorations importantes peuvent se produire.

- ▶ Respectez les remarques apposées sur l'emballage. Ne retirez l'emballage que juste avant de procéder au montage.

Si possible, ne déballiez pas l'appareil avant son arrivée sur son lieu d'implantation. Durant le transport, laissez l'appareil dans son emballage et sur la palette. Ceci permet un transport momentané à l'horizontale ainsi qu'une possibilité de préhension de l'appareil pour le transporter.

Si l'appareil doit être déballé avant mise en place, nous conseillons d'utiliser un diable pour la manutention. Veuillez rembourrer les faces d'appui pour éviter d'endommager l'appareil. Immobilisez l'appareil sur le diable à l'aide d'une sangle. Placez également un rembourrage entre l'appareil et la sangle et ne serrez pas trop fermement celle-ci. Pour emprunter des escaliers, vous pouvez soulever l'appareil ses pieds et par les poignée du diable.

### Transport avec un véhicule



#### Dommmages matériels

L'appareil doit en général être stocké et transporté verticalement.

Vous pouvez transporter l'appareil à l'horizontale sur route bitumée sur de courts trajets d'une distance maximale de 160 km. L'appareil ne doit en aucun cas être soumis à de fortes secousses.

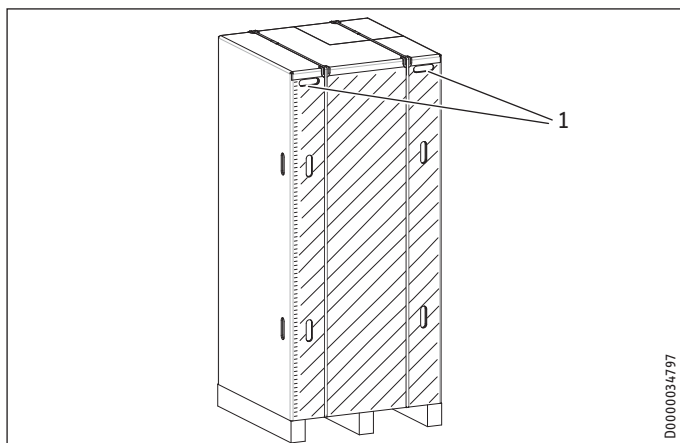


#### Dommmages matériels

En cas de transport horizontal, l'appareil doit uniquement être posé sur le côté hachuré du carton d'emballage. L'appareil ne doit pas rester en position horizontale plus de 24 heures.

Si l'appareil a été transporté à l'horizontale, il doit rester debout à la verticale pendant au moins une heure avant sa mise en service.

- ▶ Respectez les remarques apposées sur l'emballage.



1 Poignées

### Manutention entre le véhicule et le local d'implantation

Le carton d'emballage est équipé de poignées de manutention renforcées sur la face supérieure de l'appareil. Le transport dans le local d'implantation peut être réalisé en tenant l'appareil par ces poignées et en le soulevant par le dessous de la palette. Prenez en compte le poids de l'appareil et assurez-vous de disposer de suffisamment de personnel.

### 9.2 Stockage

S'il est nécessaire de stocker l'appareil pendant une période assez longue avant le montage, notez les points suivants :

- Stockez exclusivement l'appareil verticalement. L'appareil ne doit pas être stocké horizontalement.
- Stockez l'appareil dans un environnement sec et exempt de poussière.
- Évitez que l'appareil n'entre en contact avec des substances agressives.
- Évitez que l'appareil ne soit soumis à des secousses ou des vibrations.

### 9.3 Lieu d'installation



#### Dommages matériels

Veillez respecter les exigences relatives au lieu d'implantation listées ci-après. Des dommages peuvent survenir en cas de non-observation des consignes.

- L'appareil n'est pas conçu pour un montage extérieur.
- Le lieu de montage doit être exempt de substances inflammables, de gaz légèrement inflammables ainsi que d'une forte densité de poussières.
- Le local d'implantation doit être à l'abri du gel.
- La température d'aspiration de l'appareil doit rester dans les limites d'utilisation autorisées (voir chapitre « Données techniques / Tableau des données »).
- Le sol du local d'implantation doit être horizontal et porteur. Prenez en compte le poids de l'appareil avec le ballon d'eau chaude sanitaire rempli (voir Chapitre « Données techniques / Tableau de données »). Risque d'effondrement en cas de sol non porteur. Des dommages peuvent survenir si l'appareil est mal équilibré.

- La taille du local d'implantation doit correspondre aux limites d'utilisation de l'appareil (voir chapitre « Données techniques / Tableau de données »).
- Respectez les distances de sécurité et les zones de protection.
- Il faut veiller à un espace suffisant pour les travaux de montage, de maintenance et de nettoyage. Les distances minimales nécessaires doivent être respectées (voir Chapitre « Préparatifs / Mise en place de l'appareil »).
- Le fonctionnement d'autres appareils dans le local d'implantation ne doit pas être entravé.
- Pour obtenir de courtes longueurs de conduites, nous préconisons d'installer l'appareil à proximité de la cuisine ou de la salle de bain.
- Afin d'éviter les nuisances dues aux bruits, l'appareil ne doit pas être installé à proximité de chambres à coucher.

#### Exemples de mise en place non autorisée

Atmosphère ammoniacquée	Station d'épuration, porcherie
Substances qui bouchent l'évaporateur	Air contenant de l'huile ou de la graisse (ciment, farine, etc.). Remarque : Si l'air contient de la laque pour cheveux (dans un salon de coiffure p. ex.), les intervalles de maintenance de l'appareil doivent être réduits.
Atmosphère saline	Les installations en bordure côtière (< 200 m de la côte) peuvent réduire la durée de vie des composants.
Atmosphère contenant du chlore ou des chlorures	Piscine, marais salant
Atmosphère contenant de l'eau thermale	
Formaldéhyde dans l'atmosphère	certaines matériaux à base de bois (par ex., plaques OSB) certains matériaux isolants (par ex., mousses à base d'urée-formaldéhyde [mousses MIUF])
acide carbonique dans l'atmosphère	Air extrait issu des cuisines Compensant de nettoyeurs pour sols (par ex. nettoyeurs à base de vinaigre)

L'air chargé de ces substances peut provoquer la corrosion sur les matériaux à base de cuivre dans le circuit frigorifique, en particulier l'évaporateur. Cette corrosion peut entraîner la défaillance de l'appareil. Les dommages matériels ayant cette origine ne sont pas couverts par la garantie.



#### Remarque

Les données de performance indiquées pour l'appareil sont établies conformément à la norme pour la température d'aspiration indiquée dans le tableau des données. En dessous de cette température, l'efficacité et les performances de l'appareil diminuent. La durée de mise en température augmente.



### Remarque

Il est possible d'améliorer l'efficacité de l'appareil, en récupérant la chaleur perdue d'autres appareils pour le chauffage du ballon d'eau chaude sanitaire, par exemple chaudière, sèche-linge ou appareils de réfrigération. Si un sèche-linge émet de la poussière sur le lieu de montage par exemple, l'intervalle de nettoyage de l'évaporateur devra être raccourci.

### Émissions sonores

L'appareil est plus bruyant sur les côtés d'aspiration et de refoulement d'air que sur les faces fermées.

- N'orientez pas l'aspiration et le refoulement d'air vers les pièces de la maison sensibles au bruit, telle une chambre à coucher.



### Remarque

Reportez-vous au Chapitre « Données techniques / Tableau de données » pour les indications relatives aux émissions sonores.

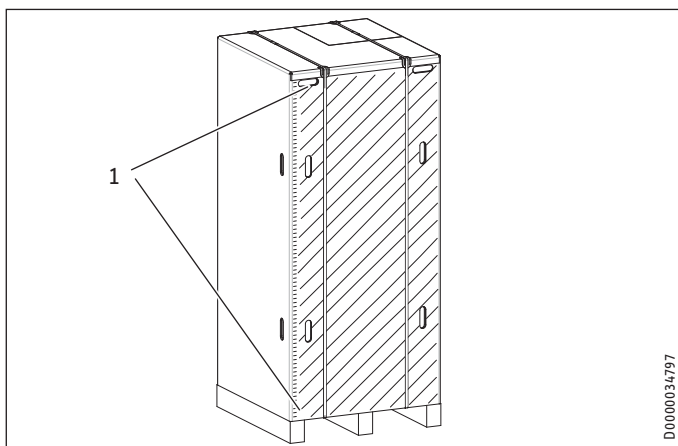
### 9.4 Pose de l'appareil



### Remarque

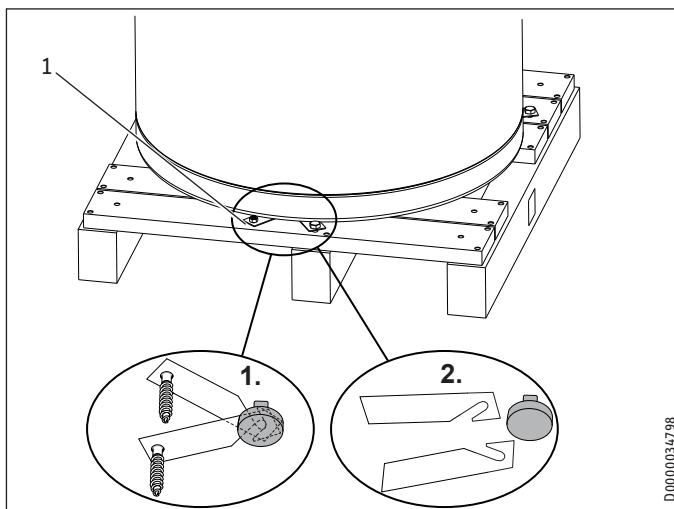
Les accessoires sont placés dans les coins du carton. Retirez les accessoires avant d'éliminer l'emballage.

- Déballiez l'appareil avec précaution au niveau de l'agrafage du carton d'emballage.



1 Agrafages du carton d'emballage

L'appareil est fixé à la palette par trois attaches métalliques vissées. Les attaches métalliques sont accrochées aux pieds de l'appareil sous la tôle de fond de l'appareil.



1 Vis de fixation des attaches métalliques

- Dévissez les vis de fixation maintenant les attaches métalliques à la palette.
- Poussez les attaches métalliques un peu dans la direction du centre du ballon afin qu'elles se désolidarisent du pied de l'appareil.
- Extrayez les attaches métalliques du dessous de l'appareil.

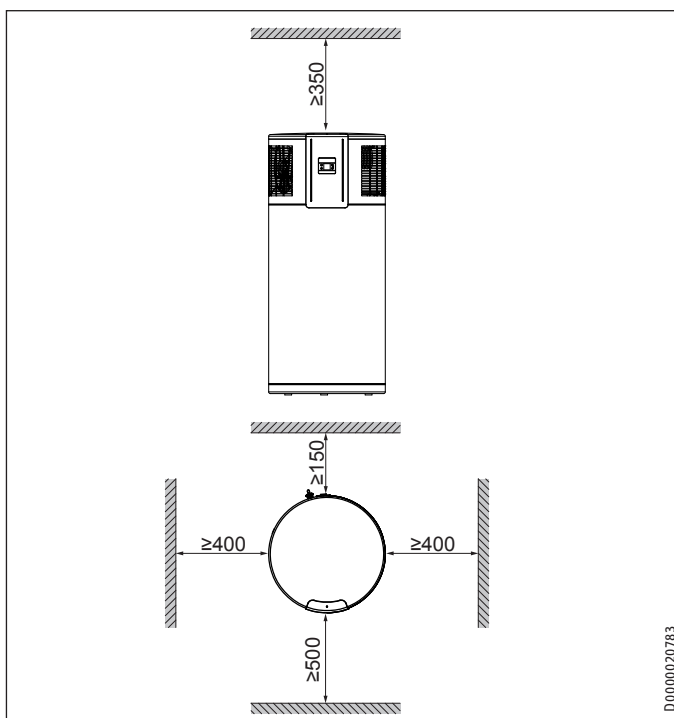


### ! Dommages matériels

Prenez en compte le centre de gravité et le poids de l'appareil.

- Basculez légèrement l'appareil et faites-le rouler hors de la palette avec précaution.
- Posez l'appareil sur son lieu d'implantation.

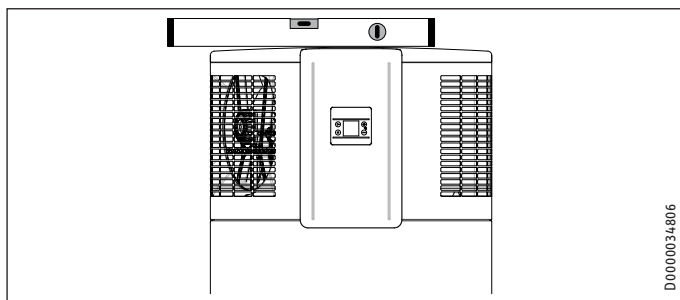
### Distances minimales



- Respectez les distances minimales.



- ! Dommages matériels**  
 Pour prévenir tout dommage, l'appareil doit être en position verticale.  
 Il est doté de pieds réglables en hauteur.  
 ► Équilibrez l'appareil en réglant la hauteur des pieds.



## 10. Montage

- ! AVERTISSEMENT Blessure**  
 Un montage non conforme peut avoir pour conséquence des dommages corporels et matériels graves.  
 Avant de débiter les travaux, veillez à ce qu'il y ait suffisamment d'espace libre pour le montage.  
 Manipulez avec précaution les composants à arêtes vives.

### 10.1 Raccordement hydraulique

- ! Dommages matériels**  
 Exécutez tous les travaux de raccordement et d'installation hydrauliques suivant les prescriptions.

- ! Dommages matériels**  
 Pour assurer la protection anticorrosion cathodique, la conductivité électrique de l'eau sanitaire doit se trouver dans la plage indiquée au chapitre « Données techniques / Tableau des données ».

#### Conduit d'eau froide

Les matériaux autorisés sont l'acier galvanisé, l'acier inoxydable, le cuivre et les matières synthétiques.

Une soupape de sécurité est requise.

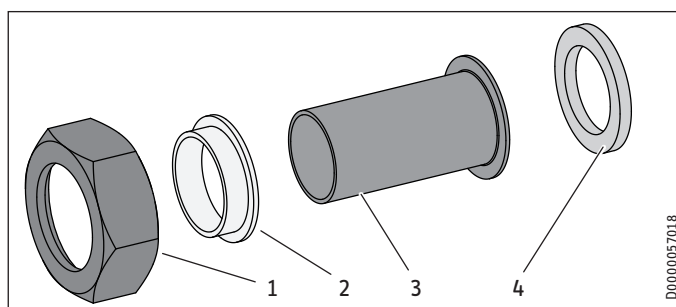
#### Conduite d'eau chaude

Les matériaux autorisés sont l'acier inoxydable, le cuivre et les tuyauteries en matières synthétiques.

- ! Dommages matériels**  
 Si une tuyauterie en matière synthétique est utilisée, reportez-vous aux indications du fabricant et au chapitre « Données techniques / Conditions en cas de dysfonctionnement ».

- Rincez abondamment l'ensemble du système de conduites avant de raccorder l'appareil. Les corps étrangers tels que les résidus de soudure, la rouille, le sable, le matériel d'étanchéité, etc. affectent le bon fonctionnement de l'appareil.

- ! Dommages matériels**  
 Le raccordement hydraulique doit être réalisé à l'aide de joints plats pour prévenir toute corrosion des raccords. L'étanchéité des raccords ne doit pas être réalisée à l'aide de chanvre.  
 Les raccords filetés isolants fournis créent une isolation extérieure permettant de prévenir la formation de tartre cathodique en présence d'eaux fortement conductrices.



- 1 Écrou tournant (G1)
- 2 Gaine isolante
- 3 Tube à collet battu (22x1 mm, cuivre)
- 4 Joint d'étanchéité

- Raccordez les tubes de cuivre à collet battu fournis avec leur joint et écrou tournant aux raccords « Arrivée eau froide » et « Sortie eau chaude ».  
 ► Contrôlez l'étanchéité du raccordement.

#### Soupape de sécurité

L'appareil est un appareil de chauffage de l'eau potable sous pression. Il doit être équipé d'un groupe de sécurité.

- Installez une soupape de sécurité homologuée sur l'arrivée d'eau froide. La pression de déclenchement de la soupape de sécurité doit être inférieure ou égale à la surpression de service admissible du ballon ECS.

La soupape de sécurité protège l'appareil des surpressions non autorisées. Le diamètre de la conduite d'arrivée d'eau froide ne doit pas être supérieur à celui de la soupape de sécurité.

- Assurez-vous que l'eau d'expansion qui sort de la soupape de sécurité peut goutter dans une bouche d'évacuation, en utilisant par ex. un bac ou un entonnoir.

La bouche d'évacuation ne doit pas pouvoir être fermée.

- La conduite d'évacuation doit être conçue de sorte que l'eau puisse s'écouler librement lorsque la soupape de sécurité est entièrement ouverte.  
 ► Vérifiez que la conduite de purge de la soupape de sécurité est ouverte à l'air libre.  
 ► Installez la conduite de purge de la soupape de sécurité avec une pente constante vers le bas dans un local à l'abri du gel.

#### Vanne réductrice de pression

La pression maximale dans la conduite d'arrivée d'eau froide doit être inférieure d'au moins 20 % à la pression de déclenchement

de la soupape de sécurité. Installez impérativement un réducteur de pression si la pression maximale dans la conduite d'arrivée d'eau froide peut dépasser cette limite.

### Vanne de vidange

- ▶ Installez une vanne de vidange adéquate au point le plus bas de la conduite d'arrivée d'eau froide.

### Boucle de circulation

L'efficacité de l'installation diminue en raison des pertes calorifiques de la boucle de circulation et de la consommation électrique de la pompe de circulation. L'eau refroidie de la boucle de circulation mélange le contenu du ballon. Il est préférable de ne pas avoir recours à la boucle de circulation. Si cela s'avère impossible, la pompe de circulation doit être pilotée thermiquement ou temporisée.

### Isolation thermique

- ▶ Isolez la conduite d'eau chaude et les vannes conformément aux dispositions applicables sur le lieu d'installation et, pour des raisons énergétiques, contre les pertes thermiques.
- ▶ Isolez la conduite d'arrivée d'eau froide contre la formation de condensats.

## 10.2 SHP-A 300 X Plus : Raccordement d'un générateur de chaleur externe



### Domages matériels

L'alimentation électrique de l'appareil ne doit jamais être coupée, même s'il est raccordé à un générateur de chaleur externe, car il ne serait plus protégé contre le gel et la corrosion. Il en va de même en hiver, même s'il est possible d'assurer la totalité de la production d'ECS par le générateur de chaleur externe, l'alimentation électrique ne doit en aucun cas être coupée.



### Domages matériels

La combinaison avec un générateur de chaleur externe via le piquage « Départ générateur de chaleur » ne doit pas entraîner de dépassement des limites d'utilisation (voir « Données techniques / Tableau des données »). Le générateur de chaleur externe raccordé ne doit pas être régulé par l'appareil. Il doit être régulé de manière externe. Tout dépassement des températures maximales autorisées de l'eau chaude sanitaire dans le ballon (figurant au chapitre « Données techniques / Tableau des données ») est à proscrire.



### Domages matériels

Exécutez tous les travaux d'installation suivant les prescriptions. En Allemagne, selon les prescriptions relatives aux installations de chauffage, le raccordement à un générateur de chaleur externe doit prévoir l'installation d'un vase d'expansion à membrane et d'une soupape de sécurité entre celui-ci et le ballon d'ECS.

Seuls les générateurs de chaleur externes à priorité ECS peuvent être raccordés. Cela impose une détection de la température du ballon par une sonde de température à basse tension de sécurité.

Il est possible de positionner la sonde de température à deux hauteurs différentes dans le ballon d'eau chaude sanitaire de l'appareil. La disposition de la sonde dans le doigt de gant du tiers supérieur du ballon permet de produire l'ECS par le générateur de chaleur externe plus tard que si elle se trouve dans le doigt de gant inférieur.

### Diffusion de l'oxygène, circuit de chauffage



#### Domages matériels

Évitez les installations de chauffage à circuits ouverts et les chauffages au sol constitués de tubes en matière synthétique non étanches à la diffusion d'oxygène.

Dans le cas de chauffages au sol constitués de tubes en matière synthétique non étanches à la diffusion d'oxygène ou d'installations de chauffage à circuits ouverts, une corrosion causée par l'oxygène diffusé à l'intérieur peut apparaître sur les pièces en acier de l'installation de chauffage (par ex. au niveau de l'échangeur de chaleur du ballon d'eau chaude sanitaire, des ballons tampons, des corps de chauffe en acier ou des tubes en acier).



#### Domages matériels

Les résidus de corrosion (par ex. boues de rouille) peuvent se déposer dans les composants de l'installation de chauffage et provoquer des pertes de performances ou des arrêts pour dysfonctionnement dus au rétrécissement des sections de passage.

### Diffusion de l'oxygène, circuit solaire



#### Domages matériels

Évitez les installations solaires à circuits ouverts ou les tubes en matière synthétique non étanches à la diffusion d'oxygène.

Dans le cas de tubes en matière synthétique non étanches à la diffusion d'oxygène, une corrosion causée par l'oxygène diffusé peut apparaître sur les pièces en acier de l'installation solaire (par ex. au niveau de l'échangeur de chaleur du ballon d'eau chaude sanitaire).

### Qualité de l'eau du circuit solaire



#### Domages matériels

Un mélange eau-glycol jusqu'à 60 % n'est admissible pour l'échangeur de chaleur dans l'installation solaire que si des métaux anti-dézincification, des joints résistants au glycol et des vases d'expansion à membrane compatibles avec le glycol sont mis en œuvre.

## 10.3 Écoulement des condensats

Installez un flexible pour pouvoir évacuer les condensats.

- ▶ Montez le coude de sortie d'évacuation des condensats fourni sur le raccord « sortie d'évacuation des condensats ».
- ▶ Raccordez un tuyau d'écoulement des condensats au coude de sortie d'évacuation des condensats.

Pour éviter que l'appareil aspire des gaz agressifs provenant du canal du tout à l'égout, un siphon doit être installé. L'écoulement



des condensats doit être installé avec une sortie qui débouche librement au-dessus du siphon.



### Dommages matériels

Les condensats ne doivent pas pouvoir être refulés.

- ▶ Utilisez un flexible d'écoulement de condensats d'un diamètre supérieur à celui du coude d'évacuation des condensats.
- ▶ Veillez à ne pas plier le flexible d'écoulement des condensats.
- ▶ Posez le flexible d'écoulement de condensats avec une pente constante.

La sortie d'évacuation des condensats doit être ouverte à l'air libre.

- ▶ Utilisez une pompe de relevage de condensats si la pente est trop faible. Veuillez tenir compte de la configuration du bâtiment.

## 10.4 Raccordement électrique



### AVERTISSEMENT Électrocution

Exécutez tous les travaux de raccordement et d'installation électriques suivant les prescriptions nationales et locales.



### AVERTISSEMENT Électrocution

Si vous raccordez l'appareil à l'alimentation électrique par une installation fixe, il doit pouvoir être mis hors tension par un dispositif présentant une distance de sectionnement d'au moins 3 mm sur tous les pôles. À cet effet, on pourra utiliser des contacteurs, des disjoncteurs ou des protections.



### AVERTISSEMENT Électrocution

- ▶ Veuillez respecter les mesures de protection contre les tensions de contact trop élevées.



### AVERTISSEMENT Électrocution

Vous êtes en danger de mort si vous entrez en contact avec des pièces conductrices. Mettez l'appareil hors tension avant toute intervention sur le coffret électrique. Assurez-vous que personne ne remette l'appareil sous tension pendant votre intervention.



### AVERTISSEMENT Électrocution

Une installation de mise à la terre de mauvaise qualité expose à un risque d'électrocution. Veillez à une mise à la terre de l'appareil conforme aux exigences applicables sur le lieu d'implantation.



### AVERTISSEMENT Électrocution

En cas d'endommagement ou d'échange, le câble de raccordement électrique ne doit être remplacé que par un installateur habilité par le fabricant et par une pièce de rechange d'origine (type de raccordement X).



### Dommages matériels

Installez un disjoncteur différentiel (RCD).



### Dommages matériels

La tension indiquée doit correspondre à la tension du secteur. Respectez les indications de la plaque signalétique.

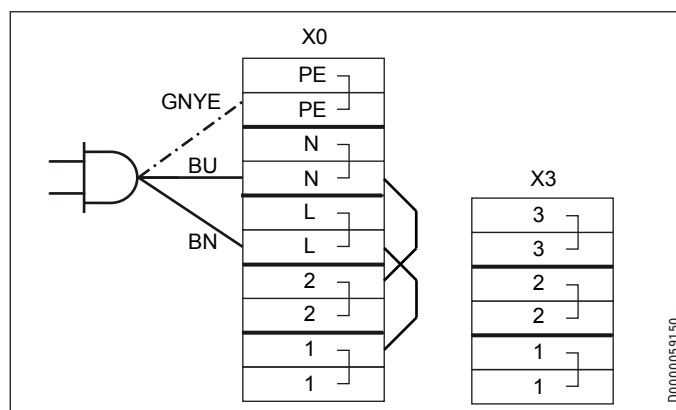


### Dommages matériels

Ne pas raccorder l'appareil à l'alimentation électrique avant le remplissage du ballon d'eau chaude sanitaire.

L'appareil est livré avec un câble d'alimentation secteur avec fiche.

### 10.4.1 Connexion standard sans signal externe



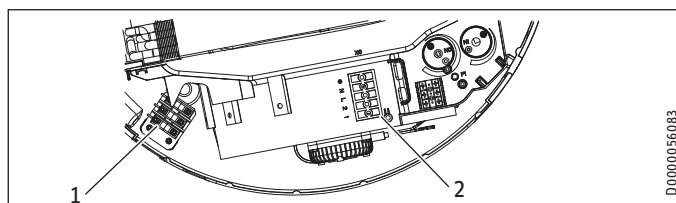
BN brun  
BU bleu  
GNYE vert-jaune

### 10.4.2 Variante de raccordement : fonctionnement avec un dispositif de commande externe qui coupe l'alimentation électrique de l'appareil

Afin de garantir la protection contre la corrosion du ballon, les appareils sont équipés de série d'une anode à courant imposé sans entretien. Une anode à courant imposé sans entretien offre une sécurité renforcée par rapport à une anode consommable et génère des économies de maintenance. Afin de garantir la protection contre la corrosion du ballon, il est par ailleurs nécessaire que l'anode à courant imposé soit en permanence sous tension.

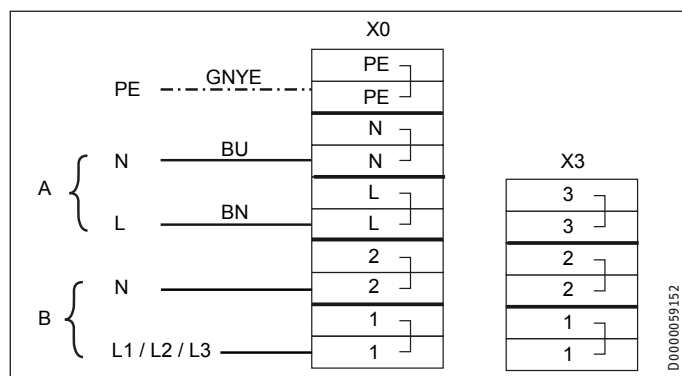
Si l'appareil doit être exploité avec des dispositifs de commande externes (horloge de programmation externe, prise commutable, système de gestion de l'énergie, signal SDE à coupure de courant p. ex.) qui coupent son alimentation électrique, l'anode à courant imposé ne doit en aucun cas être détectée par des dispositifs de commande mais doit être mise sous tension séparément. Dans ce cas, l'appareil offre la possibilité d'une alimentation électrique séparée de la charge (compresseur) et du système électronique (anode à courant imposé incluse).

- ▶ Enlevez le capot de l'appareil (voir Chapitre « Maintenance et Nettoyage / Dépose du capot »).



1 Serre-câble  
2 Bornier X0

- ▶ Préparez les câbles électriques de sorte qu'ils se terminent avec des embouts.
- ▶ Coulissez les câbles électriques dans l'habillage de l'appareil à travers l'une des conduites.
- ▶ Passez les câbles électriques dans le dispositif anti-traction.
- ▶ Retirez le pont qui mène, à l'état à la livraison, de X0/N à X0/2.
- ▶ Retirez le pont qui mène, à l'état à la livraison, de X0/L à X0/1.



- A Alimentation électrique pour la commutation de la charge (compresseur) mise à disposition par la société distributrice d'électricité ou le système de gestion de l'énergie.
- B Alimentation électrique de l'anode à courant imposé et du système électronique
- BN brun  
BU bleu  
GNYE vert-jaune

- ▶ Branchez les câbles électriques destinés à l'alimentation électrique séparée de l'anode à courant imposé sur X0/1 et X0/2.

**! Dommages matériels**  
L'alimentation électrique de l'anode à courant imposé doit être garantie en permanence.

**! Dommages matériels**  
Concernant le dispositif de commande externe, les durées de fonctionnement et de pause minimales doivent être respectées (voir chapitre « Description de l'appareil / Durée de fonctionnement minimale et temps de pause minimal »).

### 10.4.3 Variante de raccordement : Fonctionnement avec un signal externe

**! Dommages matériels**  
Voir « Plage de tension autorisée du générateur de signal externe » au chapitre « Données techniques / Tableau des données ».

**Remarque**  
Une deuxième température de consigne plus élevée est pré-réglée en usine sur l'appareil. Cette dernière s'active en présence d'un signal de commutation externe. La température de consigne 2 est prioritaire sur la température de consigne standard tant que le signal de commutation est émis.

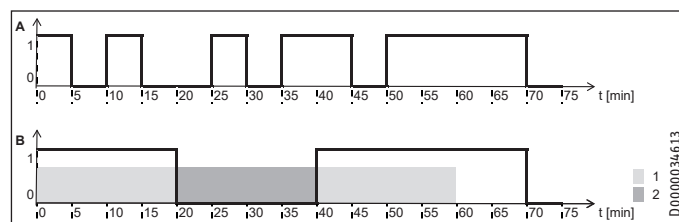
Vous pouvez raccorder un générateur de signal externe sur la borne X3/1-2 pour activer une température de consigne d'eau chaude sanitaire indépendante (température de consigne 2). À la livraison, la borne X3/1-2 est inoccupée. Si cette borne est câblée selon la tension indiquée dans les données techniques (voir « Plage de tension autorisée du générateur de signal externe ») (L sur X3/1, N sur X3/2), l'appareil active la température de consigne 2.

Après une seule activation (durée du signal pendant au moins 1 minute), la température de consigne 2 est valable pendant 20 minutes au minimum. Elle a la priorité sur la température de consigne 1. Quand la valeur de consigne de la température de l'eau chaude sanitaire correspondante est atteinte, le compresseur s'éteint et reste éteint pour une durée minimale de 20 minutes.

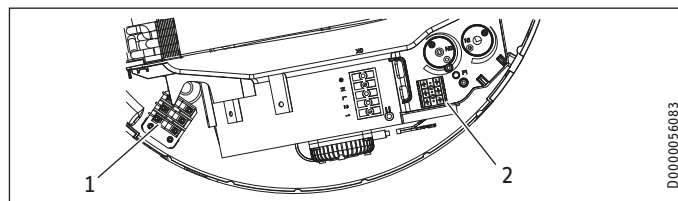
Le graphique ci-dessous illustre ce cas à partir d'un exemple de courbe de signal externe.

Exemple :

- Température de l'eau = 55 °C
- Température de consigne 1 = 50 °C
- Température de consigne 2 = 65 °C



- A Signal externe  
B Compresseur
- 1 20 minutes durée d'activation minimale de la température de consigne 2
  - 2 20 minutes durée minimale de la phase de repos du compresseur
- ▶ Enlevez le capot de l'appareil (voir Chapitre « Maintenance et Nettoyage / Dépose du capot »).



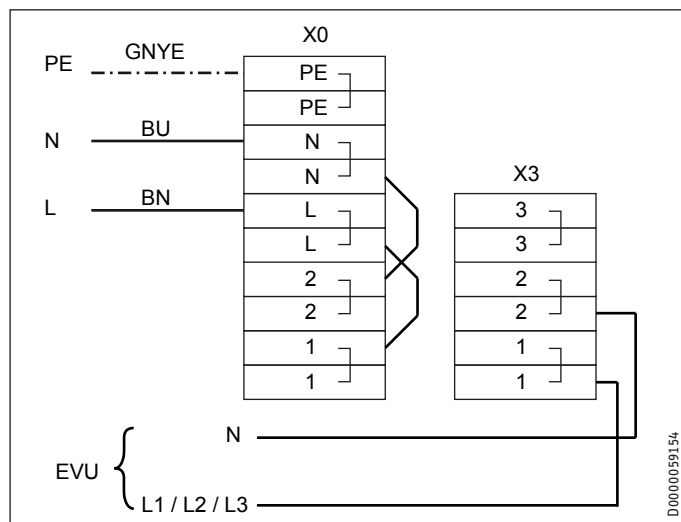
- 1 Serre-câble
  - 2 Bornier X3
- ▶ Préparez les câbles électriques de sorte qu'ils se terminent avec des embouts.
  - ▶ Coulissez les câbles électriques dans l'habillage de l'appareil à travers l'une des conduites.
  - ▶ Passez les câbles électriques dans le dispositif anti-traction.

# INSTALLATION

## Mise en service

► Branchez les câbles électriques sur X3.

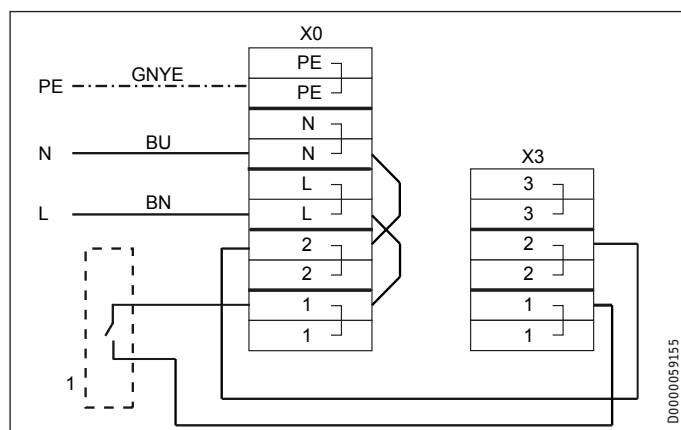
### Exemple 1: signal SDE avec sa propre phase



EVU Société distributrice d'électricité  
 BN brun  
 BU bleu  
 GNYE vert-jaune

### Exemple 2: signal photovoltaïque via relais en sortie d'une phase provenant de l'appareil, à fournir par le client

- Remarque** Le relais de l'onduleur doit satisfaire aux exigences suivantes :
- Relais exempt de potentiel (240 V CA / 24 V CC, 1 A) avec contact de fermeture
  - Respect des normes et dispositions de sécurité pour la très basse tension de protection
  - La sortie de commande doit être programmée de sorte que le relais se ferme ou s'ouvre en cas de passage en dessous ou au-dessus de certaines valeurs limites (puissance délivrée par l'onduleur).
- Veuillez contacter le cas échéant le fabricant de l'onduleur pour savoir si le produit remplit les critères énoncés.



1 Onduleur (contact sec)  
 BN brun  
 BU bleu  
 GNYE vert-jaune

L'alimentation électrique de l'onduleur provient généralement d'un point d'alimentation central (par exemple dans l'armoire électrique).

## 10.5 Assemblage de l'appareil

**Remarque** Reposez le capot après la fin des travaux. Voir Chapitre « Maintenance et Nettoyage / Montage du capot ».

## 11. Mise en service

**AVERTISSEMENT Électrocution**  
 Il est interdit d'utiliser l'appareil avec l'habillage ouvert ou sans couvercle.

### 11.1 Première mise en service

**Remarque** Remplissez le ballon d'ECS avant de mettre l'appareil sous tension. L'appareil est équipé d'une protection contre le fonctionnement sans eau pour le cas où il serait mis en marche alors que le ballon est vide.

**Remarque** Le fonctionnement du compresseur est interrompu pendant au moins une minute après toute coupure de l'alimentation électrique. L'électronique retarde d'une minute la mise en route afin de permettre l'initialisation de l'appareil. Si le compresseur ne démarre pas au terme de ce délai, il peut être verrouillé par des dispositifs de sécurité auxiliaires (protection thermique du moteur et pressostat haute pression). Au terme d'un délai de 1 à 10 minutes, ce verrouillage doit être désactivé.

#### 11.1.1 Remplissage du ballon d'eau chaude sanitaire

Remplissez le ballon d'eau chaude sanitaire et purgez la tuyauterie, en procédant comme suit :

- Fermez la vanne de vidange.
- Ouvrez tous les points de soutirage d'eau chaude sanitaire et la vanne d'arrêt de l'arrivée d'eau froide.
- Fermez les points de soutirage d'eau chaude sanitaire dès que l'eau coule.
- Vérifiez l'étanchéité de la soupape de sécurité en la laissant ouverte jusqu'à ce que de l'eau coule.

#### 11.1.2 Réglages / Contrôle de fonctionnement

- Mettez sous tension secteur.
- Contrôlez le fonctionnement de l'appareil.
- Contrôlez le bon fonctionnement du groupe de sécurité.

Une fois le contrôle du bon fonctionnement de l'appareil terminé, l'abaissement de la température de consigne de l'eau chaude sanitaire permet de réaliser de substantielles économies d'énergie.

# INSTALLATION

## Configuration

- ▶ Définissez avec le client les paramètres de confort et réglez en conséquence la température de consigne de l'eau chaude sanitaire. Pour des raisons d'hygiène, ne réglez pas la température de l'eau chaude en dessous de 50 °C.

### 11.1.3 Remise de l'appareil au client

- ▶ Expliquez les différentes fonctions à l'utilisateur puis familiarisez-le avec l'emploi de l'appareil.
- ▶ Indiquez à l'utilisateur les risques encourus, notamment les risques de brûlures.
- ▶ Indiquez à l'utilisateur les facteurs environnementaux critiques et les contraintes relatives à l'emplacement de montage.
- ▶ Attirez l'attention de l'utilisateur sur la possibilité d'un écoulement d'eau via la soupape de sécurité pendant le processus de chauffage de l'eau.
- ▶ Veuillez également préciser que l'appareil n'est pas protégé contre le gel et la corrosion lorsqu'il est coupé de l'alimentation électrique. Si l'alimentation électrique de l'anode à courant imposé et de l'électronique est séparée, l'appareil est protégé contre la corrosion.
- ▶ Remettez ces instructions d'utilisation et d'installation à l'utilisateur qui devra les conserver en lieu sûr.

### 11.2 Remise en marche

En cas d'arrêt de l'appareil consécutif à une coupure de courant, aucune procédure de remise en route n'est requise lors du rétablissement de l'alimentation électrique. L'appareil a enregistré les derniers réglages des paramètres et fonctionne à nouveau conformément à ceux-ci.

Si la fonction « Chauffage rapide / de confort » était active avant l'interruption de l'alimentation électrique, elle est automatiquement réactivée lorsque l'alimentation est rétablie avec une température de consigne de 65 °C.

Le mode secours n'est pas réactivé après une interruption de l'alimentation électrique.



#### Remarque

Le fonctionnement du compresseur est interrompu pendant au moins une minute après toute coupure de l'alimentation électrique. L'électronique retarde d'une minute la mise en route afin de permettre l'initialisation de l'appareil.

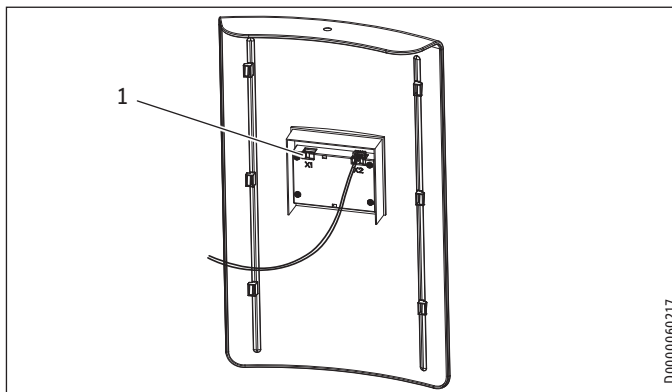
Si le compresseur ne démarre pas au terme de ce délai, il peut être verrouillé par des dispositifs de sécurité auxiliaires (protection thermique du moteur et pressostat haute pression). Au terme d'un délai de 1 à 10 minutes, ce verrouillage doit être désactivé.

## 12. Configuration

### ■ Menu SAV

Pour déverrouiller le menu SAV, vous devez raccorder un connecteur SAV ou entrer un code.

### Accès au menu SAV avec un connecteur SAV



#### 1 Emplacement X1

- ▶ Insérez le connecteur SAV à l'emplacement X1 au dos de l'unité de commande.

### Accès au menu SAV par saisie d'un code



- ▶ Appuyez plus de 3 s sur la touche « Menu ». Le numéro de version du logiciel de l'électronique de régulation s'affiche.

Affichage	Numéro de version
301	3.1.00



- ▶ Pour afficher le numéro de version du logiciel de l'électronique de commande, appuyez sur la touche « Plus ».

Affichage	Numéro de version
-103	1.3.00



- ▶ Pour accéder à la saisie du code, appuyez sur la touche « Moins ».

Pour passer directement du numéro de version du logiciel de l'électronique de régulation à la saisie du code, appuyez sur la touche « Moins ».



- ▶ Pour consulter le code à chiffres, appuyez sur la touche « Chauffage rapide ». Le chiffre actif correspondant clignote.

- ▶ Paramétrez le chiffre à l'aide des touches « Plus » et « Moins ».



- ▶ Pour paramétrer le chiffre suivant, appuyez sur la touche « Chauffage rapide ».

Pour confirmer le code une fois la saisie de tous les chiffres terminée, appuyez sur la touche « Chauffage rapide ».

#### ■ Menu SAV

- Décalage sonde intégrale
- Réglage volume réservoir
- Verrouillage du compresseur suite à défaut de l'évaporateur
- Éliminer le blocage HP

### Menu SAV

- Éliminer le blocage BP
- Température des lamelles de l'évaporateur
- Nombre de défaillances de dégivrage
- Nombre de déclenchements basse pression
- Nombre de déclenchements haute pression
- Remplacement sonde intégrale
- Limitation de la valeur de consigne

Les paramètres dans ce menu sont réservés à l'installateur.

## 13. Mise hors service



### Dommages matériels

L'appareil n'est protégé ni contre le gel ni contre la corrosion quand l'alimentation électrique est coupée.

- ▶ Mettez l'appareil hors tension pour une durée prolongée uniquement si vous avez vidé le ballon d'eau chaude sanitaire.

Le ballon d'eau chaude sanitaire doit être vidangé si l'alimentation électrique de l'appareil doit être coupée pendant quelque temps. Voir le chapitre « Maintenance / Vidange de l'appareil ».

L'arrêt de l'appareil n'est possible que par une coupure de l'alimentation électrique.

- ▶ Débranchez la fiche secteur ou coupez l'alimentation électrique à l'aide de la protection de l'installation domestique.

## 14. Aide au dépannage



### AVERTISSEMENT Électrocution

Veillez à mettre l'appareil hors tension avant toute intervention.



### Dommages matériels

L'appareil n'est protégé ni contre le gel ni contre la corrosion quand l'alimentation électrique est coupée.

- ▶ Mettez l'appareil hors tension pour une durée prolongée uniquement si vous avez vidé le ballon d'eau chaude sanitaire.

- ▶ Déposez le capot pour intervenir à l'intérieur de l'appareil (voir Chapitre « Maintenance et Nettoyage / Dépose du capot »).
- ▶ Otez au besoin l'habillage de la partie supérieure (voir Chapitre « Maintenance et Nettoyage / Dépose de l'habillage »).



### Remarque


Une fois l'intervention terminée, remettez en place la bague de l'enveloppe. Voir Chapitre « Maintenance et Nettoyage / Pose de l'habillage ».





### Remarque

Reposez le capot après la fin des travaux. Voir Chapitre « Maintenance et Nettoyage / Montage du capot ».

## 14.1 Codes de défauts

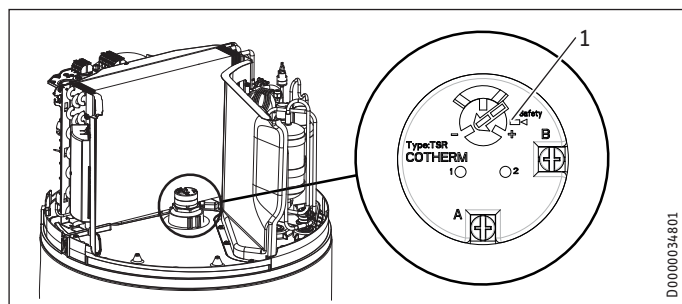
		Description de l'erreur	Remède
2	Fixe, allumé	La sonde supérieure est défectueuse. L'affichage de la température réelle commute de la sonde supérieure vers la sonde intégrale. L'appareil continue de chauffer sans pertes de confort. La quantité d'eau mélangée ne peut pas être calculée ; elle est indiquée par « - ».	Contrôlez le bon positionnement de la fiche.  Mesurez la résistance de la sonde et comparez-la à celle du tableau de résistance. Installez la sonde de rechange.
4	Fixe, allumé	La sonde intégrale est défectueuse. Si la sonde intégrale est défectueuse, la valeur prise est celle de la sonde de la partie supérieure et le volume d'eau mélangée est calculé selon cette valeur. L'appareil continue de chauffer selon une hystérésis de démarrage réduite. La quantité d'eau mélangée continue d'être calculée en supposant que la température de la partie supérieure règne dans tout le ballon d'eau chaude sanitaire.	Contrôlez le bon positionnement de la fiche.  Mesurez la résistance de la sonde et comparez-la à celle du tableau de résistance. Installez la sonde de rechange. Dans le menu SAV, basculez en réglage auxiliaire à l'aide du paramètre « IE ».
6	Cli-gnotement	La sonde supérieure et la sonde intégrale sont défectueuses. L'appareil ne chauffe plus.	Contrôlez le bon positionnement de la fiche.  Mesurez les résistances de la sonde et comparez-les à celles du tableau de résistance. Installez la sonde de rechange. Dans le menu SAV, basculez en réglage auxiliaire à l'aide du paramètre « IE ».
8	Cli-gnotement	Malgré une demande durant la durée maximale d'augmentation de la température, l'appareil n'a constaté aucune montée en température de l'eau dans le ballon.	Vérifiez la présence d'une conduite de circulation et si celle-ci est isolée. La somme des pertes de puissance est supérieure à la puissance de chauffe de l'appareil.  Vérifiez la présence d'une pompe de circulation et si celle-ci est à commande thermique ou par horloge. Le cas échéant, installez une telle commande. Vérifiez l'étanchéité du circuit frigorifique.
16	Fixe, allumé	Un court-circuit à l'anode à courant imposé est survenu ou l'anode de protection est défectueuse.	Vérifiez la conformité au schéma de câblage des câbles et des connecteurs de l'anode à courant imposé et procédez au remplacement des câbles défectueux.  Contrôlez l'anode à courant imposé au sein du groupe du corps de chauffe / de l'anode et remplacez-la le cas échéant.

		Description de l'erreur	Remède
32	Cli- gnote- ment	L'appareil n'est pas exploité avec un ballon d'eau chaude sanitaire entièrement rempli. L'appareil ne chauffe pas.  Le courant de l'anode est interrompu. L'appareil ne chauffe pas.	Remplissez le ballon d'eau chaude sanitaire de l'appareil. Le code d'erreur disparaît et l'appareil reprend son fonctionnement.  Vérifiez les contacts de l'anode à courant imposé.
64	Fixe, allumé	La température finale de dégivrage n'est pas atteinte alors que la durée de dégivrage maximale est écoulée. Le compresseur ne fonctionne pas.  La température de l'air aspiré est en dessous de la limite d'utilisation inférieure.	Contrôlez la position de la sonde de l'évaporateur au sein de l'évaporateur.  Attendez que la température ambiante remonte. Assurez-vous que la valeur ne soit pas en dessous de la limite d'utilisation.
128	Fixe, allumé	Il n'y a pas de communication entre le régulateur et l'unité de commande. Les derniers réglages des valeurs de consigne sont actifs. L'appareil continue de chauffer.	Contrôlez le bon positionnement de la fiche et remplacez le cas échéant la ligne de raccordement.  Remplacez l'électronique de commande.
256	Cli- gnote- ment	Fonctionnement du chauffage de secours déclenché manuellement (uniquement chauffage électrique d'appoint / de secours actif)	Voir chapitre « Description de l'appareil / Fonctionnement du chauffage de secours ».
E 2	Cli- gnote- ment	La sonde de température à l'évaporateur est défectueuse.	Contrôlez le bon positionnement de la fiche.  Mesurez la résistance de la sonde et comparez-la à celle du tableau de résistance.  Remplacez la sonde.
E 16	Fixe, allumé	Le pressostat haute pression s'est déclenché. Le fonctionnement du chauffage avec le compresseur est temporairement bloqué. Dès que la pression s'est normalisée, le fonctionnement du chauffage du compresseur reprend.	Aucune intervention n'est nécessaire.  Après concertation avec le client, abaissez éventuellement la température de consigne. Augmentez le degré de charge à l'unité de commande.  Contrôlez le décalage de la sonde intégrale par rapport à la sonde supérieure et ajustez-le le cas échéant.  Contrôlez le point de commutation HP et remplacez le commutateur HP si nécessaire.
E 32	Fixe, allumé	Un défaut électrique s'est produit.	A1/X2: Assurez-vous que l'alimentation électrique est coupée. Acquitez ensuite le défaut dans le point de menu correspondant.

		Description de l'erreur	Remède
E 64	Cli- gnote- ment	Température à l'évaporateur < Température minimale à l'évaporateur	Vérifiez si l'évaporateur est bouché par des dépôts. Nettoyez l'évaporateur le cas échéant à l'eau claire sans produit de nettoyage ni additif.  Assurez-vous que l'air peut circuler librement à travers l'appareil.  Vérifiez si le ventilateur est bloqué ou défectueux. Remplacez le cas échéant le ventilateur.  Contrôlez le bon fonctionnement et le réglage du détendeur.  Vérifiez si l'appareil a dégivré.
E 128	Cli- gnote- ment	Présence d'un défaut continu du pressostat. Un défaut de pression s'est produit à répétition pendant une durée d'analyse définie pour le défaut de pression.	Contrôlez le compteur d'erreurs correspondant et consultez les instructions d'élimination de l'erreur en fonction du code d'erreur : E 16 (haute pression), E 32 (défaut câblage électrique). Une fois la cause de l'erreur éliminée, acquitez le code d'erreur dans le point de menu « Hd 1 » en appuyant sur la touche « Chauffage rapide ».



### 14.2 Réinitialisation du limiteur de sécurité



1 Touche de réarmement du thermostat limiteur de sécurité

Le limiteur de sécurité protège l'appareil contre la surchauffe. La résistance électrique d'appoint / de secours est coupée dès que la température du ballon dépasse  $87 \pm 5$  °C.

Après avoir remédié à l'origine de la panne, appuyez sur la touche de réarmement du thermostat limiteur de sécurité au niveau du thermostat. Ceci nécessite d'enlever le capot de l'appareil.

### 14.3 Protection thermique

En cas de charge thermique trop élevée du compresseur, la protection thermique du moteur arrête celui-ci.

► Éliminez le défaut.

Après une courte phase de refroidissement, la protection thermique remet automatiquement en route le compresseur.

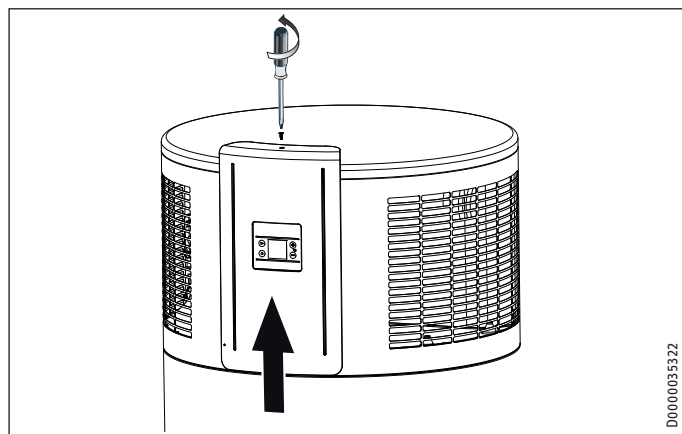
## 15. Entretien et maintenance



### AVERTISSEMENT Électrocution

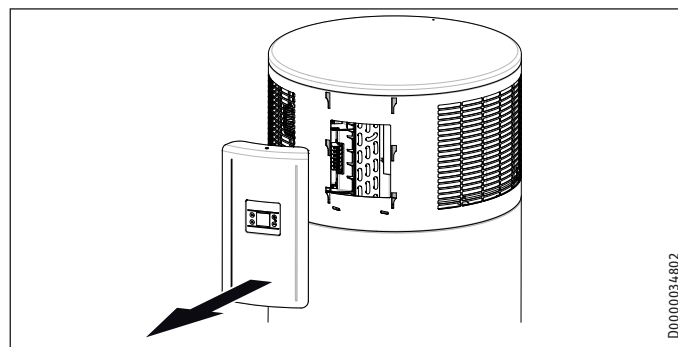
Veillez à mettre l'appareil hors tension avant toute intervention.

### 15.1 Dépose du capot de l'appareil



► Dévissez la vis (Torx) qui fixe le panneau de commande et le capot de l'appareil à l'appareil.

► Poussez le panneau de commande vers le haut.



► Déposez le panneau de commande.

► Le panneau de commande est connecté à l'électronique de l'appareil à l'aide d'un câble électrique. Débranchez le cas échéant la prise à l'arrière du panneau de commande pour pouvoir l'enlever complètement.

► Déposez avec précaution le capot de l'appareil et déconnectez le câble de mise à la terre, qui raccorde le capot au coffret électrique de l'appareil.



### Remarque

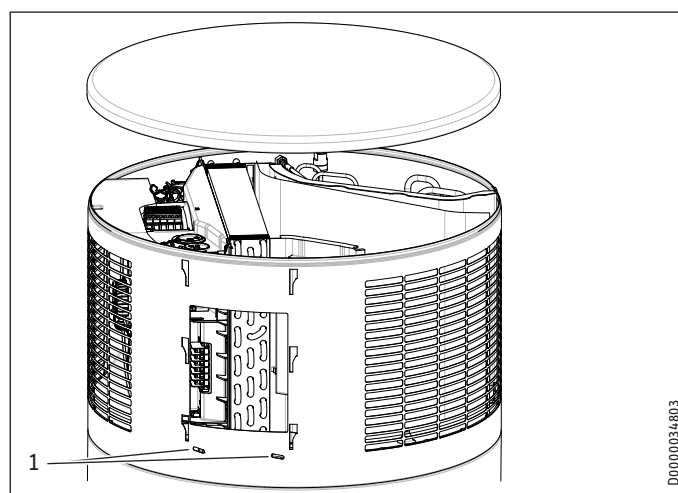
Reposez le capot après la fin des travaux. Voir Chapitre « Maintenance et Nettoyage / Montage du capot ».

### 15.2 Dépose de l'habillage



### Remarque

Si l'espace libre est insuffisant pour les interventions sur l'appareil, il est possible de déposer l'habillage supérieur de l'appareil.



1 Vis de fixation de l'habillage

L'habillage est fixé à l'aide de vis.

► Dévissez les vis de fixation de l'habillage.

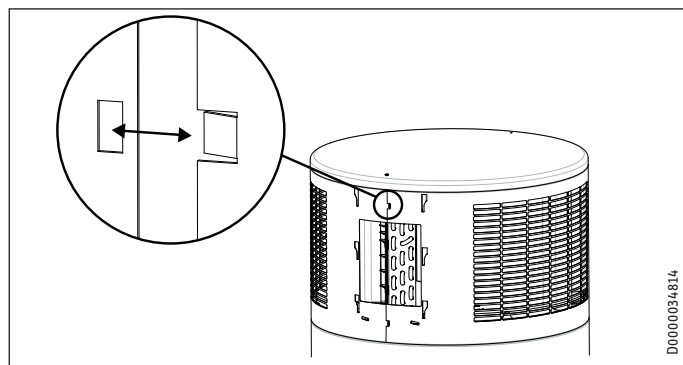
► Démontez le coude de sortie d'évacuation des condensats et la rosace d'évacuation des condensats. Tournez-la dans le sens inverse des aiguilles d'une montre.



### Domages matériels

La dépose de l'habillage nécessite de déconnecter le câble de mise à la terre raccordé à l'intérieur de l'appareil.





L'habillage se chevauche au niveau de la jonction. Une languette se fixe dans l'encoche située de l'autre côté de l'habillage.

- Écartez l'habillage de sorte à pouvoir l'enlever ou le faire passer par le bas de l'appareil.



### Remarque

Une fois l'intervention terminée, remettez en place la bague de l'enveloppe. Voir Chapitre « Maintenance et Nettoyage / Pose de l'habillage ».

### 15.3 Nettoyer l'évaporateur



#### AVERTISSEMENT Blessure

L'évaporateur est composé de nombreuses lamelles aux arêtes vives. Nettoyez l'évaporateur avec précaution et portez des vêtements de protection, en particulier des gants de protection.

Pour des performances aussi élevées et constantes que possible, il est nécessaire de procéder à un contrôle régulier de l'encrassement de l'évaporateur et de le nettoyer au besoin.

- Nettoyez les lamelles de l'évaporateur avec précaution. N'utilisez que de l'eau et une brosse souple. N'utilisez jamais de produits nettoyants à base d'acide ou de solvant.

### 15.4 Vidange du ballon



#### AVERTISSEMENT Brûlure

Lors de la vidange du ballon d'eau chaude sanitaire, l'eau qui sort peut être très chaude.

Pour la vidange du ballon d'eau chaude sanitaire, par exemple pour mettre l'appareil hors service, procédez comme suit.

- Coupez l'appareil de l'alimentation électrique.
- Fermez le robinet d'arrêt de la conduite d'arrivée d'eau froide.

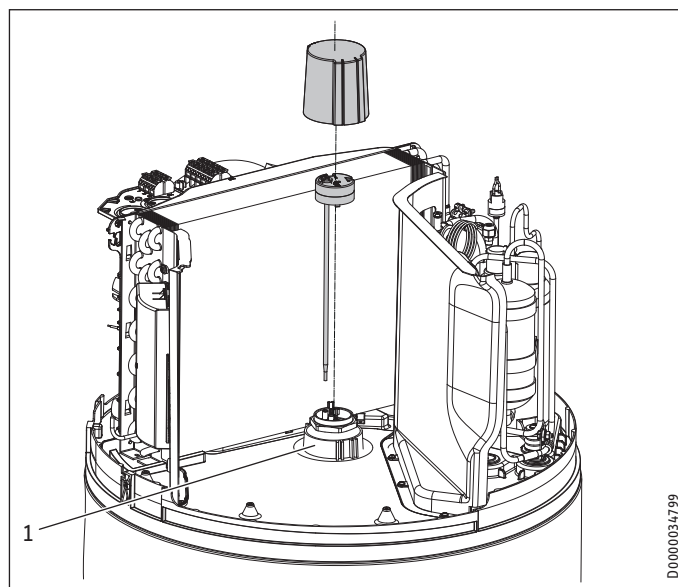
Le ballon d'eau chaude sanitaire est vidangé par l'arrivée d'eau froide.

- Ouvrez la vanne de vidange installée sur la conduite d'eau froide (voir Chapitre « Raccordement hydraulique »). En l'absence d'une vanne de vidange, dévissez la conduite d'arrivée d'eau froide du raccord « Arrivée Eau froide ».
- À des fins de ventilation, dévissez la conduite d'eau chaude connectée au raccordement « Sortie ECS ».

Il reste un peu d'eau dans la partie inférieure du ballon d'eau chaude sanitaire.

### 15.5 Détartre la résistance d'appoint/de secours

Ne détartrez la bride électrique du chauffage électrique d'appoint / de secours qu'après démontage et n'utilisez pas de détartrants chimiques pour traiter l'intérieur du ballon d'eau chaude sanitaire et/ou l'anode à courant imposé. La résistance électrique d'appoint / de secours est vissée par le haut dans le ballon d'eau chaude sanitaire de l'appareil.



- 1 Résistance électrique d'appoint/de secours avec anode de protection

### 15.6 Anode de protection

La bride de la résistance électrique d'appoint / de secours est équipée d'une anode qui protège l'appareil contre la corrosion lorsqu'il est sous tension. L'anode de protection est une anode à courant imposé sans entretien.

Procédez comme suit si l'écran affiche un code d'erreur de défaillance de l'anode de protection :

- Déposez la régulation de la résistance électrique d'appoint / de secours.
- Contrôlez l'anode de protection et son câblage.
- Remontez la régulation de la résistance d'appoint / de secours.

### 15.7 Vannes

Contrôlez régulièrement les vannes de l'installation (soupape de sécurité, réducteur de pression, vanne de vidange) pour garantir la sécurité de fonctionnement de l'appareil. La quantité de dépôts de tartre dépend de la qualité de l'eau locale.

- Contrôlez toutes les vannes de l'installation et ôtez les dépôts de tartre.
- Le cas échéant, remplacez les vannes.
- Contrôlez le fonctionnement des vannes.

### 15.8 Écoulement des condensats

- Vérifiez que la sortie d'évacuation des condensats n'est pas obstruée. Ôtez les salissures.

### 15.9 Remplacement des câbles de raccordement électriques



#### AVERTISSEMENT Électrocution

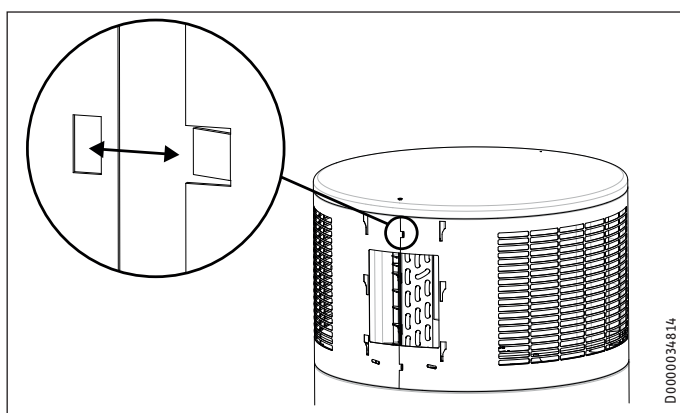
Il est impératif de remplacer le câble d'alimentation au secteur en cas de défectuosité. Le raccordement électrique au secteur doit être réalisé par un installateur professionnel (type de raccordement X).

### 15.10 Mise en place de l'habillage



#### AVERTISSEMENT Électrocution

► Reconnectez le câble de mise à la terre à l'habillage.



- Mettez en place l'habillage supérieur. L'habillage se chevauche au niveau de la jonction. Une languette se fixe dans l'encoche située de l'autre côté de l'habillage.
- Vissez l'habillage.
- Montez la rosace et le coude de sortie d'évacuation des condensats.

### 15.11 Mise en place du capot de l'appareil



#### AVERTISSEMENT Électrocution

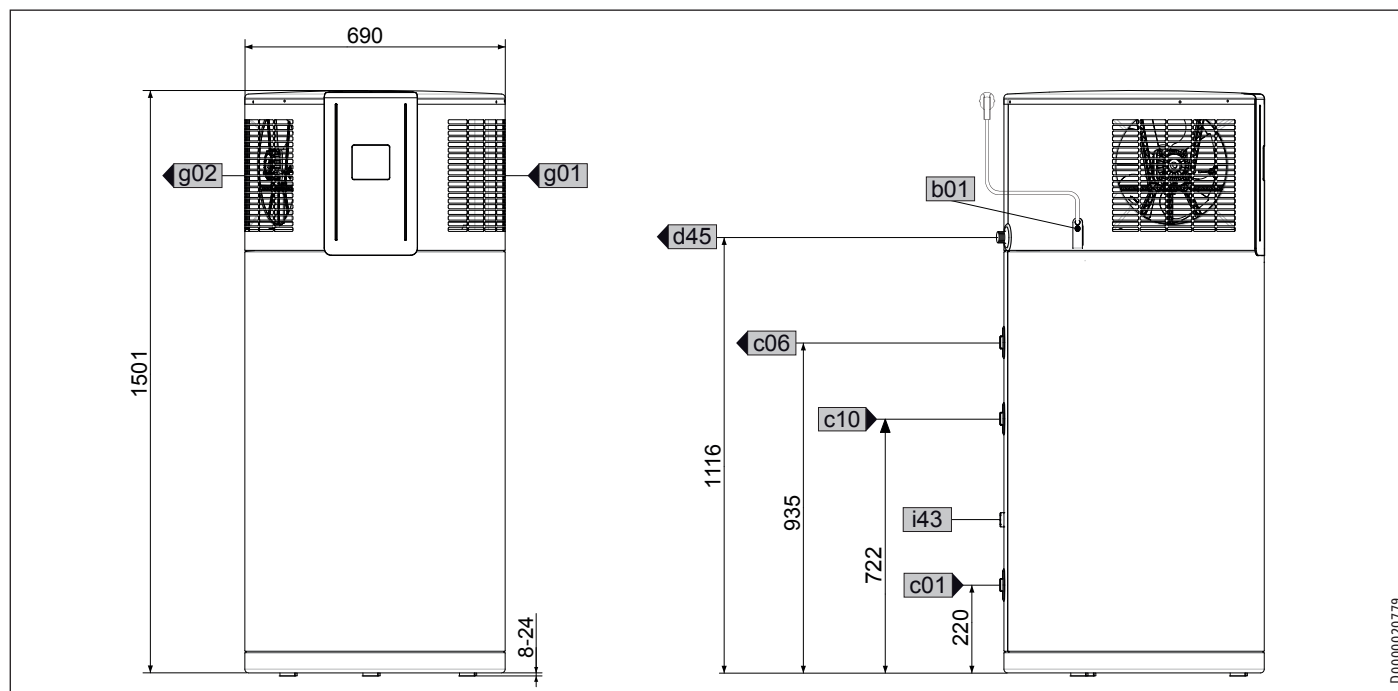
► Reconnectez le câble de mise à la terre au capot de l'appareil.

- Reposez le capot sur l'appareil.
- Enfoncez le couvercle dans le collet de la bague de l'enveloppe.
- À l'arrière du panneau de commande, raccordez le câble qui relie l'unité de commande à la platine dans l'appareil.
- Reposez le panneau de commande.
- Fixez le panneau de commande avec la vis sur la partie supérieure de l'appareil.

### 16. Données techniques

#### 16.1 Cotes et raccordements

##### 16.1.1 SHP-A 220 Plus

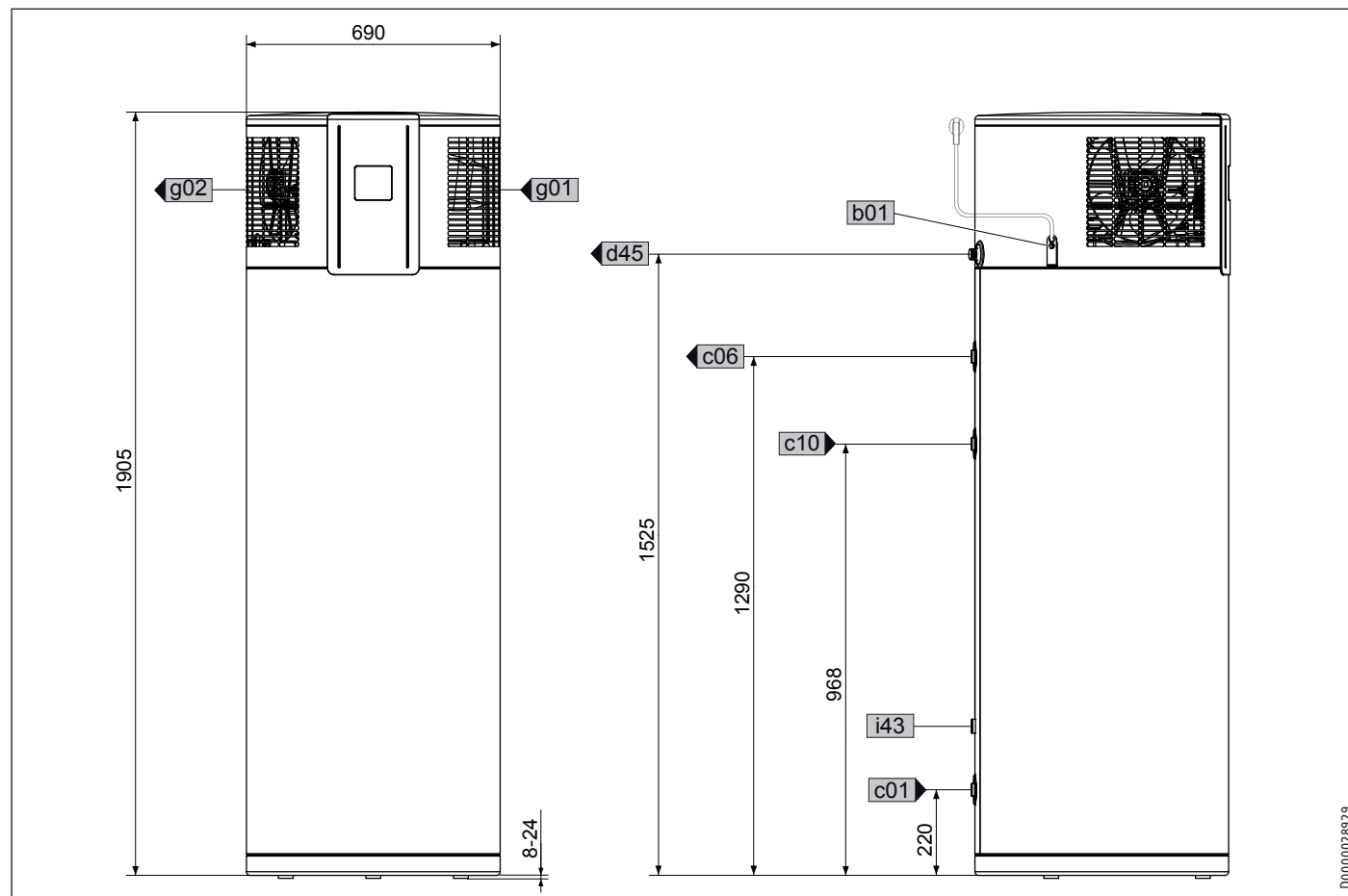


		SHP-A 220 Plus
b01	Passage des câbles électriques	
c01	Arrivée eau froide	Filetage mâle G 1
c06	Sortie eau chaude	Filetage mâle G 1
c10	Boucle de circulation	Filetage mâle G 1/2
d45	Écoulement des condensats	Filetage mâle G 3/4
g01	Aspiration d'air	
g02	Refoulement d'air	
i43	Protection de l'ouverture de production	

# INSTALLATION

## Données techniques

### 16.1.2 SHP-A 300 Plus

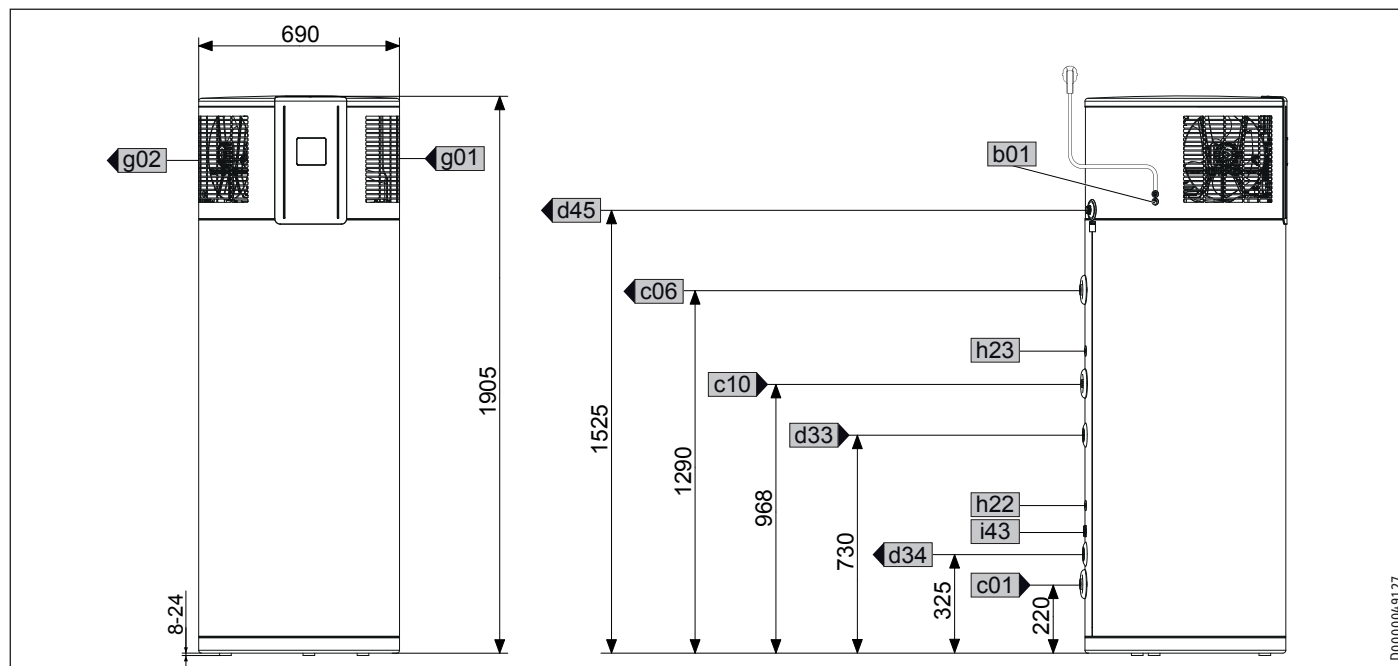


D0000028929

FRANÇAIS

		SHP-A 300 Plus
b01	Passage des câbles électriques	
c01	Arrivée eau froide	Filetage mâle G 1
c06	Sortie eau chaude	Filetage mâle G 1
c10	Boucle de circulation	Filetage mâle G 1/2
d45	Écoulement des condensats	Filetage mâle G 3/4
g01	Aspiration d'air	
g02	Refoulement d'air	
i43	Protection de l'ouverture de production	

### 16.1.3 SHP-A 300 X Plus



				SHP-A 300 X Plus
b01	Passage des câbles électriques			
c01	Arrivée eau froide	Filetage mâle		G 1
c06	Sortie eau chaude	Filetage mâle		G 1
c10	Boucle de circulation	Filetage mâle		G 1/2
d33	Départ générateur de chaleur	Filetage femelle		G 1
d34	Retour générateur de chaleur	Filetage femelle		G 1
d45	Écoulement des condensats	Filetage mâle		G 3/4
g01	Aspiration d'air			
g02	Refoulement d'air			
h22	Sonde générateur de chaleur	Diamètre	mm	9,6
h23	Sonde générateur de chaleur opt.	Diamètre	mm	9,6
i43	Protection de l'ouverture de production			

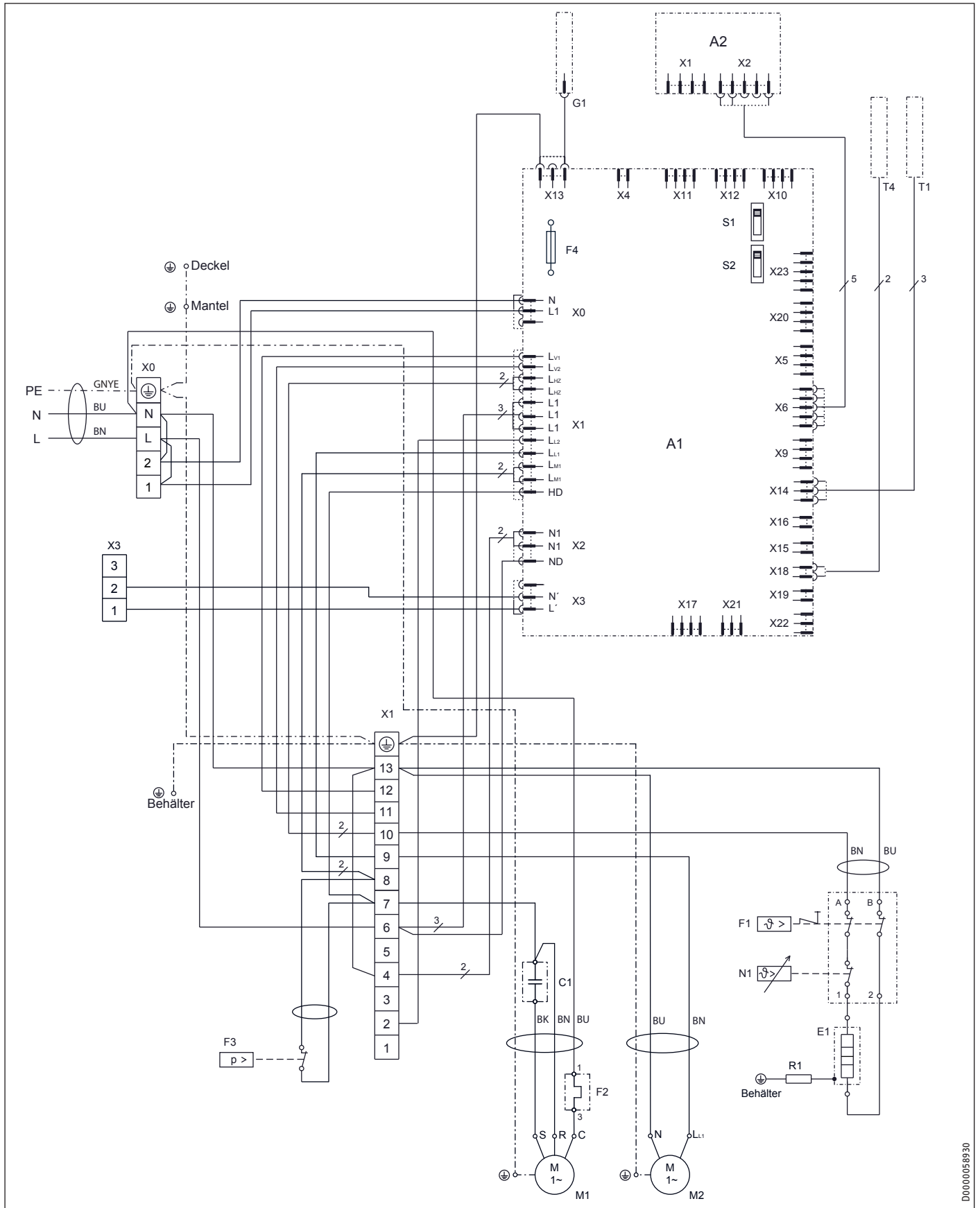
### 16.2 Schéma électrique

- A1 Module électronique (régulation)
- A2 Module électronique (unité de commande)
- C1 Condensateur
- E1 Corps de chauffe
- F1 Limiteur de sécurité TSR
- F2 Protection thermique M1
- F3 Pressostat haute pression
- F4 Protection
- G1 Anode à courant imposé
- M1 Compresseur
- M2 Ventilateur
- N1 Thermostat TSR

- R1 Résistance
- S1 Curseur du mode de fonctionnement
- S2 Curseur du mode de fonctionnement
- T1 Sonde de température (partie supérieure/intégrale)
- T4 Sonde de température évaporateur
- X0 Bornier de raccordement au secteur
- X1 Bornier de raccordement
- X3 Bornier de raccordement
- Behälter Ballon
- Deckel Couvercle
- Mantel Habillage

# INSTALLATION

## Données techniques



FRANÇAIS

D0000058930

### 16.3 Défaillances



#### AVERTISSEMENT Brûlure

En cas de panne, les températures peuvent atteindre la limite de température de sécurité (voir le chapitre « Données techniques / Tableau de données »).

### 16.4 Tableau des données

		SHP-A 220 Plus 238633	SHP-A 300 Plus 238634	SHP-A 300 X Plus 238635
<b>Données hydrauliques</b>				
Capacité nominale	l	220	302	291
Surface de l'échangeur de chaleur	m <sup>2</sup>			1,3
<b>Limites d'utilisation</b>				
Température de l'eau chaude sanitaire avec pompe à chaleur maxi.	°C	65	65	65
Température de l'eau chaude sanitaire avec résistance électrique d'appoint/de secours max.	°C	65	65	65
Température eau chaude sanitaire maxi. admissible dans ballon	°C			70
Thermostat limiteur de sécurité	°C	92	92	92
Limite d'utilisation source de chaleur mini. / maxi.	°C	+6/+42	+6/+42	+6/+42
Volume mini. du local d'implantation (fonctionnement sur air ambiant, consommation domestique normale)	m <sup>3</sup>	13	13	13
Surpression maxi. admissible eau froide/chaude	MPa	0,8	0,8	0,8
Conductivité de l'eau sanitaire min./max.	µS/cm	100-1500	100-1500	100-1500
<b>Performances selon EN 16147</b>				
Température nominale de l'eau chaude sanitaire (EN 16147)	°C	55	55	55
Profil de charge nominal (EN 16147)		L	XL	XL
Température d'eau chaude de référence (EN 16147 / A20)	°C	52,6	54,4	54,4
Température d'eau chaude de référence (EN 16147 / A15)	°C	52,7	54,1	52,5
Température d'eau chaude de référence (EN 16147 / A7)	°C	54,0	54,2	52,6
Quantité d'eau chaude maximale à 40 °C (EN 16147 / A20)	l	278	395	371
Quantité d'eau chaude maximale à 40 °C (EN 16147 / A15)	l	277	412	387
Quantité d'eau chaude sanitaire utile maximale à 40 °C (EN 16147 / A7)	l	254	410	381
Puissance théorique de chauffage Prated (EN 16147 / A20)	kW	1,6	1,52	1,43
Puissance thermique nominale Prated (EN 16147 / A15)	kW	1,45	1,63	1,41
Puissance thermique nominale Prated (EN 16147 / A7)	kW	1,01	1,14	1,07
Durée de mise en température (EN 16147 / A20)	h	6,06	9,05	9,05
Durée de mise en température (EN 16147 / A15)	h	6,65	8,83	9,60
Durée de mise en température (EN 16147 / A7)	h	8,78	12,52	12,43
Puissance électrique absorbée en régime stabilisé (EN 16147 / A20)	kW	0,022	0,024	0,028
Puissance électrique absorbée en régime stabilisé (EN 16147 / A15)	kW	0,027	0,028	0,032
Puissance électrique absorbée en régime stabilisé (EN 16147 / A7)	kW	0,035	0,040	0,044
Coefficient de performance COP (EN 16147 / A20)		3,55	3,51	3,51
Coefficient de performance COP (EN 16147 / A15)		3,20	3,26	3,30
Coefficient de performance COP (EN 16147 / A7)		2,68	2,79	2,75
<b>Puissances calorifiques</b>				
Puissance calorifique moyenne (A20 / W10-55)	kW	1,9	1,9	1,9
Puissance calorifique moyenne (A15 / W10-55)	kW	1,6	1,6	1,6
Puissance calorifique moyenne (A7 / W10-55)	kW	1,3	1,3	1,3
<b>Puissances absorbées</b>				
Puissance absorbée moyenne pompe à chaleur (A20 / W10-55)	kW	0,5	0,5	0,5
Puissance absorbée moyenne pompe à chaleur (A15 / W10-55)	kW	0,5	0,5	0,5
Puissance absorbée moyenne pompe à chaleur (A7 / W10-55)	kW	0,5	0,5	0,5
Puissance électrique absorbée pompe à chaleur max. (sauf phase de démarrage)	kW	0,65	0,65	0,65
Puissance absorbée résistance électrique de secours / d'appoint	kW	1,5	1,5	1,5
Puissance absorbée max. pompe à chaleur + résistance électrique d'appoint/de secours	kW	2,15	2,15	2,15
<b>Données énergétiques</b>				
Classe d'efficacité énergétique de la production ECS (profil de soutirage), air intérieur		A+ (L)	A+ (XL)	A+ (XL)



# INSTALLATION

## Données techniques

		SHP-A 220 Plus	SHP-A 300 Plus	SHP-A 300 X Plus
<b>Données électriques</b>				
Raccordement secteur		1/N/PE 220-240 V 50/60 Hz	1/N/PE 220-240 V 50/60 Hz	1/N/PE 220-240 V 50/60 Hz
Plage de tension autorisée du générateur de signal externe		~ 220-240 V 50/60 Hz	~ 220-240 V 50/60 Hz	~ 220-240 V 50/60 Hz
Courant de fonctionnement maxi	A	8,54	8,54	8,54
Courant de démarrage maxi.	A	23,44	23,44	23,44
Protection (électrique)	A	C16	C16	C16
<b>Données acoustiques</b>				
Niveau de puissance acoustique (EN 12102)	dB(A)	60	60	60
Niveau de pression acoustique moyen à 1 m, à l'air libre	dB(A)	45	45	45
<b>Versions</b>				
Indice de protection (IP)		IP 24	IP 24	IP 24
Fluide frigorigène		R134a	R134a	R134a
Charge en fluide frigorigène	kg	0,85	0,85	0,85
Potentiel de réchauffement global du fluide frigorigène (GWP100)		1430	1430	1430
Équivalent CO <sub>2</sub> (CO <sub>2</sub> e)	t	1,216	1,216	1,216
Longueur câble d'alimentation env.	mm	2000	2000	2000
<b>Dimensions</b>				
Hauteur	mm	1501	1905	1905
Diamètre	mm	690	690	690
Hauteur de basculement	mm	1652	2026	2026
Hauteur de basculement avec emballage	mm	1895	2230	2230
Dimensions de l'unité d'emballage hauteur/largeur/profondeur	mm	1740/740/740	2100/740/740	2100/740/740
<b>Poids</b>				
Poids, à vide	kg	120	135	156
<b>Raccords</b>				
Raccordement pour écoulement des condensats		G 3/4 A	G 3/4 A	G 3/4 A
Raccordement de circulation		G 1/2 A	G 1/2 A	G 1/2 A
Raccordement hydraulique		G 1 A	G 1 A	G 1 A
Raccord échangeur de chaleur				G 1
<b>Valeurs</b>				
Type d'anode		Anode à courant imposé	Anode à courant imposé	Anode à courant imposé
Débit d'air	m <sup>3</sup> /h	550	550	550
Nombre d'utilisateurs recommandé		≤ 4	≤ 6	≤ 6

FRANÇAIS

Les données de performance se rapportent à des appareils neufs avec des échangeurs de chaleur propres.

Données nominales selon EN 16147 - Chauffe-eau thermodynamique sur air ambiant

### Autres données

		SHP-A 220 Plus	SHP-A 300 Plus	SHP-A 300 X Plus
		238633	238634	238635
Hauteur d'installation maximale	m	2000	2000	2000

## 16.5 Paramètres de l'appareil

		SHP-A 220 Plus	SHP-A 300 Plus	SHP-A 300 X Plus
Hystérésis de démarrage réduite	K	6	6	6
Durée maximale d'augmentation de la température	h	13	13	13
Durée de dégivrage maximale	min	60	60	60
Température finale de dégivrage	°C	3	3	3
Température minimale à l'évaporateur	°C	-20	-20	-20
Défaut de pression à répétition	-	5	5	5
Durée d'analyse pour le défaut de pression	h	5	5	5
Temps de verrouillage du compresseur	min	20	20	20
Température de consigne du chauffage rapide	°C	65	65	65
Température d'activation de la fonction hors gel	°C	8	8	8
Température de consigne 1 (Réglage d'usine)	°C	55	55	55

### **Garantie**

Les conditions de garantie de nos sociétés allemandes ne s'appliquent pas aux appareils achetés hors d'Allemagne. Au contraire, c'est la filiale chargée de la distribution de nos produits dans le pays qui est seule habilitée à accorder une garantie. Une telle garantie ne pourra cependant être accordée que si la filiale a publié ses propres conditions de garantie. Il ne sera accordé aucune garantie par ailleurs.

Nous n'accordons aucune garantie pour les appareils achetés dans des pays où aucune filiale de notre société ne distribue nos produits. D'éventuelles garanties accordées par l'importateur restent inchangées.

### **Environnement et recyclage**

Merci de contribuer à la préservation de notre environnement. Après usage, procédez à l'élimination des matériaux conformément à la réglementation nationale.

---

## NOTES

---

## Deutschland

STIEBEL ELTRON GmbH & Co. KG  
Dr.-Stiebel-Straße 33 | 37603 Holzminden  
Tel. 05531 702-0 | Fax 05531 702-480  
info@stiebel-eltron.de  
www.stiebel-eltron.de

## Verkauf

Tel. 05531 702-110 | Fax 05531 702-95108 | info-center@stiebel-eltron.de

## Kundendienst

Tel. 05531 702-111 | Fax 05531 702-95890 | kundendienst@stiebel-eltron.de

## Ersatzteilverkauf

Tel. 05531 702-120 | Fax 05531 702-95335 | ersatzteile@stiebel-eltron.de

## Australia

STIEBEL ELTRON Australia Pty. Ltd.  
294 Salmon Street | Port Melbourne VIC 3207  
Tel. 03 9645-1833 | Fax 03 9644-5091  
info@stiebel-eltron.com.au  
www.stiebel-eltron.com.au

## Austria

STIEBEL ELTRON Ges.m.b.H.  
Gewerbegebiet Neubau-Nord  
Margaritenstraße 4 A | 4063 Hörsching  
Tel. 07221 74600-0 | Fax 07221 74600-4  
info@stiebel-eltron.at  
www.stiebel-eltron.at

## Belgium

STIEBEL ELTRON bvba/sprl  
't Hofveld 6 - D1 | 1702 Groot-Bijgaarden  
Tel. 02 42322-22 | Fax 02 42322-12  
info@stiebel-eltron.be  
www.stiebel-eltron.be

## China

STIEBEL ELTRON (Tianjin) Electric Appliance  
Co., Ltd.  
Plant C3, XEDA International Industry City  
Xiqing Economic Development Area  
300385 Tianjin  
Tel. 022 8396 2077 | Fax 022 8396 2075  
info@stiebel-eltron.cn  
www.stiebel-eltron.cn

## Czech Republic

STIEBEL ELTRON spol. s r.o.  
Dopraváků 749/3 | 184 00 Praha 8  
Tel. 251116-111 | Fax 235512-122  
info@stiebel-eltron.cz  
www.stiebel-eltron.cz

## Finland

STIEBEL ELTRON OY  
Kapinakuja 1 | 04600 Mäntsälä  
Tel. 020 720-9988  
info@stiebel-eltron.fi  
www.stiebel-eltron.fi

## France

STIEBEL ELTRON SAS  
7-9, rue des Selliers  
B.P 85107 | 57073 Metz-Cédex 3  
Tel. 0387 7438-88 | Fax 0387 7468-26  
info@stiebel-eltron.fr  
www.stiebel-eltron.fr

## Hungary

STIEBEL ELTRON Kft.  
Gyár u. 2 | 2040 Budaörs  
Tel. 01 250-6055 | Fax 01 368-8097  
info@stiebel-eltron.hu  
www.stiebel-eltron.hu

## Japan

NIHON STIEBEL Co. Ltd.  
Kowa Kawasaki Nishiguchi Building 8F  
66-2 Horikawa-Cho  
Saiwai-Ku | 212-0013 Kawasaki  
Tel. 044 540-3200 | Fax 044 540-3210  
info@nihonstiebel.co.jp  
www.nihonstiebel.co.jp

## Netherlands

STIEBEL ELTRON Nederland B.V.  
Daviotenweg 36 | 5222 BH 's-Hertogenbosch  
Tel. 073 623-0000 | Fax 073 623-1141  
info@stiebel-eltron.nl  
www.stiebel-eltron.nl

## New Zealand

Stiebel Eltron NZ Limited  
61 Barrys Point Road | Auckland 0622  
Tel. +64 9486 2221  
info@stiebel-eltron.co.nz  
www.stiebel-eltron.co.nz

## Poland

STIEBEL ELTRON Polska Sp. z o.o.  
ul. Działkowa 2 | 02-234 Warszawa  
Tel. 022 60920-30 | Fax 022 60920-29  
biuro@stiebel-eltron.pl  
www.stiebel-eltron.pl

## Russia

STIEBEL ELTRON LLC RUSSIA  
Urzhumskaya street 4,  
building 2 | 129343 Moscow  
Tel. +7 495 125 0 125  
info@stiebel-eltron.ru  
www.stiebel-eltron.ru

## Slovakia

STIEBEL ELTRON Slovakia, s.r.o.  
Hlavná 1 | 058 01 Poprad  
Tel. 052 7127-125 | Fax 052 7127-148  
info@stiebel-eltron.sk  
www.stiebel-eltron.sk

## Switzerland

STIEBEL ELTRON AG  
Industrie West  
Gass 8 | 5242 Lupfig  
Tel. 056 4640-500 | Fax 056 4640-501  
info@stiebel-eltron.ch  
www.stiebel-eltron.ch

## Thailand

STIEBEL ELTRON Asia Ltd.  
469 Moo 2 Tambol Klong-Jik  
Amphur Bangpa-In | 13160 Ayutthaya  
Tel. 035 220088 | Fax 035 221188  
info@stiebel-eltronasia.com  
www.stiebel-eltronasia.com

## United Kingdom and Ireland

STIEBEL ELTRON UK Ltd.  
Unit 12 Stadium Court  
Stadium Road | CH62 3RP Bromborough  
Tel. 0151 346-2300 | Fax 0151 334-2913  
info@stiebel-eltron.co.uk  
www.stiebel-eltron.co.uk

## United States of America

STIEBEL ELTRON, Inc.  
17 West Street | 01088 West Hatfield MA  
Tel. 0413 247-3380 | Fax 0413 247-3369  
info@stiebel-eltron-usa.com  
www.stiebel-eltron-usa.com

**STIEBEL ELTRON**



Irrtum und technische Änderungen vorbehalten! | Subject to errors and technical changes! | Sous réserve d'erreurs et de modifications techniques! | Onder voorbehoud van vergissingen en technische wijzigingen! | Salvo error o modificación técnica! | Excepto erro ou alteração técnica | Zastrzeżone zmiany techniczne i ewentualne błędy | Omyly a technické změny jsou vyhrazeny! | A muszaki változtatások és tévedések jogát fenntartjuk! | Отсутствие ошибок не гарантируется. Возможны технические изменения. | Chyby a technické zmeny sú vyhradené! | Stand 9646