

HORLOGES DIGITALES intérieures
DIGITAL CLOCKS indoor

Style 5 – Style 5 Seconde

Style 7 - Style 7 Date – Style 7 Ellipse – Style 7 Seconde

Style 10 - Style 10 Seconde - Style 10 Date - Style 10 Seconde Date

NTP/WIFI



Notice d'installation et de mise en service
Installation and operation manual



www.bodet-time.com

BODET Time & Sport

1, rue du Général de Gaulle
49340 TREMENTINES | France
Tél. support France: 02 41 71 72 99
Tel. support Export: +33 241 71 72 33



Réf. : 608334 A

S'assurer à réception que le produit n'a pas été endommagé durant le transport pour réserve au transporteur.
When receiving goods, please check that the item is not broken. If the product is damaged, a claim should be addressed to the shipping company.

Table of contents

| | |
|--|-----------|
| I – Initial Checks | 6 |
| 1.1 Unpacking the clock | 6 |
| 1.2 Cleaning | 7 |
| 1.3 Pre-requisites | 7 |
| 1.4 Safety | 7 |
| II – Installation Wi-Fi Clocks | 8 |
| 2.1 Wall mounting – Style 5-5S-7-7D-7E-7S | 8 |
| 2.2 Wall mounting – Style 10-10S-10D-10SD | 9 |
| III – Location of "S" and "+" Keys | 10 |
| IV – Default Configuration | 10 |
| V – Basic Configuration | 11 |
| 5.1 Setting time/date/year – all models except Style 7D-10D-10SD | 11 |
| 5.2 Configuration menu – all models except Style 7D-10D-10SD | 11 |
| 5.3 Setting time/date/year – Style 7D | 12 |
| 5.4 Configuration menu – Style 7D | 13 |
| 5.5 Setting time/date/year – Style 10D-10SD | 14 |
| 5.6 Configuration menu – Style 10D-10SD | 15 |
| VI – Adjusting the Brightness | 16 |
| VII – Technician Menus | 17 |
| 7.1 Maintenance menu – all models except Style 7D-7E-10D-10SD | 17 |
| 7.2 Maintenance menu – Style 7D-7E | 18 |
| 7.3 Maintenance menu – Style 10D-10SD | 19 |
| VIII – Wi-Fi Clocks Configuration | 20 |
| Manual configuration | 20 |
| IX – Description of Web Interface | 23 |
| 9.1 Home page | 23 |
| 9.2 Wi-Fi configuration | 24 |
| 9.2 Network configuration | 26 |
| 9.3 Time and synchronisation configuration | 27 |
| 8.4 Parameters | 29 |
| 8.5 Alarm configuration | 30 |
| 8.6 System | 32 |

| | |
|-------------------------------------|-----------|
| X – Technical Specifications | 33 |
| 11.2 Wi-Fi Models | 33 |
| 11.3 Clocks dimensions | 34 |
| XI – What to do if... | 36 |
| XII– Appendix | 37 |

Table des matières

| | |
|---|-----------|
| I – Vérification initiale | 38 |
| 1.1 Déballage de l'horloge | 38 |
| 1.2 Nettoyage | 39 |
| 1.3 Pré-requis | 39 |
| 1.4 Sécurité | 39 |
| II – Installation mécanique horloges Wi-Fi | 40 |
| 2.1 Montage mural Style 5-5S-7-7D-7E-7S | 40 |
| 2.2 Montage mural Style 10-10S-10D-10SD | 41 |
| III – Emplacement des touches «S» et «+» | 42 |
| IV – Configuration par défaut | 42 |
| V – Configuration basique | 43 |
| 5.1 Réglage Heure/Date/Année toutes versions sauf Style 7D-10D-10SD | 43 |
| 5.2 Menu configuration toutes versions sauf Style 7D-10D-10SD | 43 |
| 5.3 Réglage Heure/Date/Année Style 7D | 44 |
| 5.4 Menu configuration Style 7D | 45 |
| 5.5 Réglage Heure/Date/Année Style 10D-10SD | 46 |
| 5.6 Menu configuration Style 10D-10SD | 47 |
| VI – Réglage luminosité | 48 |
| VII – Menu technicien horloges | 49 |
| 7.1 Menu technicien toutes versions sauf Style 7D-7E-10D-10SD | 49 |
| 7.2 Menu technicien Style 7D-7E | 50 |
| 7.3 Menu technicien Style 10D-10SD | 51 |
| VIII – Configuration des horloges Wi-Fi | 52 |
| Configuration manuelle | 52 |
| IX – Description du Serveur Web embarqué | 55 |
| 9.1 Page Accueil | 55 |
| 9.2 Page Configuration Wi-Fi | 56 |
| 9.3 Page Configuration Réseau | 58 |
| 9.4 Page Configuration heure et synchronisation | 59 |
| 9.5 Page Paramétrage | 61 |
| 9.6 Page Configuration des alarmes. | 62 |
| 9.7 Page Système et protection | 64 |

| | |
|--|-----------|
| X – Caractéristiques techniques | 65 |
| 10.2 Modèles Wi-Fi | 65 |
| 10.3 Dimensions des horloges | 66 |
| XI – What to do if... | 68 |
| XII – Annexe | 69 |

I – Initial checks

Thank you for choosing a BODET clock.

This product has been carefully designed, adhering to ISO 9001 quality processes, to ensure your satisfaction. We recommend that you read this manual and the general safety measures and operating instructions carefully before handling the clock.

Retain this manual for reference for the lifespan of your clock.

The information supplied is non-binding; Bodet reserves the right to make changes to equipment, including functional, technical and aesthetic changes or changes to colours, without notice.

Failure to observe these instructions may cause irreversible damage to the clock and invalidate the warranty.

These instructions relate to NTP/Wi-Fi models. For other synchronisations, please refer to the corresponding instructions.

These instructions relate to the following clocks:

Style 5: hours and minutes display. Height of digits: 5 cm.

Style 5S (seconds): hours, minutes and seconds display. Height of digits: 5 cm.

Style 7: hours and minutes display. Height of digits: 7 cm.

Style 7D (date): hours, minutes, date, day and week display. Height of digits: 7 cm; height of letters: 5 cm.

Style 7E (ellipse): hours, minutes and revolving seconds display on ellipse design. Height of digits: 7 cm; height of letters: 5 cm.

Style 7S (seconds): hours, minutes and seconds display. Hours and minutes height of digits: 7 cm; height of digits for seconds: 7 cm

Style 10: hours and minutes display. Height of digits 10 cm.

Style 10S (seconds): hours, minutes and seconds display.

Height of digits for hours and minutes : 10 cm; height of digits for seconds: 7 cm

Style 10D (date): hours, minutes, date, day and week display. Height of digits: 10 cm; height of letters: 7 cm.

Style 10SD (seconds - date): hours, minutes, seconds, date, day and week display. Height of digits hours and minutes: 10 cm; height of digits for seconds: 7 cm; height of letters: 7 cm.

1.1 Unpacking the clock

Carefully unpack the clock and check the contents of the package. This should include:

- Style clock
- 3 screws (Ø 4 mm) + wall plugs (Ø 6 mm) for Style 5 and 7 models or 4 screws (Ø4mm) + plugs (Ø 6 mm) for the Style 10 models.
- Anti-static cleaning kit

- **IMPORTANT: product identification label**

An identification label is affixed to the back of the clock. Use the URL link shown to download these instructions.

1.2 Cleaning

Use an anti-static product identical to that in the cleaning kit provided.
Never use alcohol, acetone or other solvents, which may damage the clock's casing or glass.

1.3 Pre-requisites

To configure the clock you must install **BODET Detect** software or the application **BODET Detect Mobile** if you possess a Android smartphone. This software and application are available to download for free on the BODET website www.bodet-time.com.

Select a location to install the clock, preferably away from sources of electrical interference, such as transformers.

1.4 Safety

This product has been carefully designed to meet your needs in accordance with ISO 9001 quality standards.

Before beginning to install and configure the NTP/Wi-Fi Style clocks, carefully read the various safety instructions.

Ensure that you observe the safety warnings and precautions at all times during the installation, operation and maintenance of your product.

Installing the equipment

The installation and maintenance of this device must be performed by accredited personnel. This product must not be installed by unauthorised users / operators.

Electrical installation of the equipment must comply with applicable electrical standards.

Opening the equipment

There are no user-repairable parts inside this equipment. Please contact BODET customer support if the equipment needs to be repaired.

Never open the product while the power is applied to the clock.



Turn off the power supply upstream (circuit breaker) before any intervention.

Earth connection

This equipment is a Classe 2 equipment therefore does not need to be grounded.

II – Installation Style NTP/Wi-Fi

2.1 Wall mounting – Style 5-5S-7-7D-7E-7S

The illustrations below refer to the Style 5 clock. However, the installation process shown here also applies to Styles 5S, 7, 7S, 7D and 7E. Refer to the Technical specifications on page 34 for clock dimensions.

1) Fix the wall bracket to the wall using the 3 (Ø 4mm) screws supplied along with the 3 wall plugs (Ø6 mm). Use a 6mm drill bit.

2) Insert the 240VAC power cable:

- From above: cut through the upper part of the casing ❶ and insert the cable at the back.
- From behind: dedicated area ❷.

3) Clip the electronic board into the wall bracket. Insert the lower part of the electronic board into the back of the wall bracket, then push the upper part of the board into the back of the bracket until it clicks ❸.

4) Connect the 240 VAC power cable to the electronic board connector ❹.

5) Secure the power cable to the electronic board using a plastic tie (mounting holes provided in the electronic board).

6) Connect the ribbon from the LED modules (clock casing) to the electronic board ❺.

ATTENTION: To avoid damaging the product, please, watch for the orientation of the flat cable connector. For that purpose the connector is keyed (A).

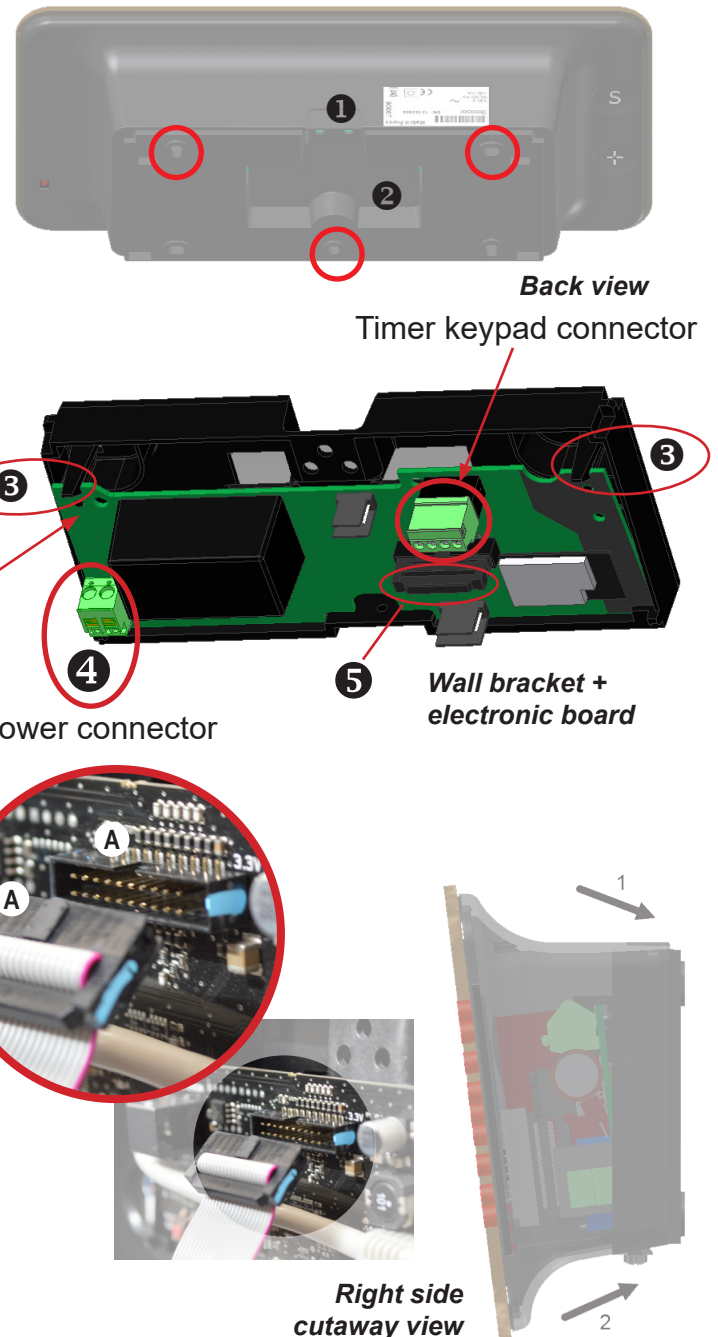
7) Attach the clock to the wall bracket by inserting the upper part of the clock into the back of the bracket in the slots provided, then press the clock in until it clicks. Secure the clock to the bracket at the bottom, using the mounting screw provided.

Ensure that the cables are not pinched during this operation.

8) The clock may be subsequently detached from the bracket by lifting the lower part of the clock outwards, then removing the upper part.

9) Clean the clock using an anti-static cloth.

Important : about double face installation on support bracket, refer to the manual supports, ref.: 607847 (included with the bracket).



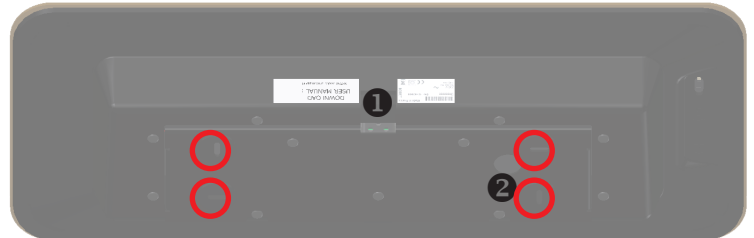
2.2 Wall mounting – Style 10-10S-10D-10SD

The illustrations below refer to the Style 10 clock. However, the installation process shown here also applies to Styles 10S, 10D and 10SD. Refer to the Technical specifications on page 35 for clock dimensions.

1) Fix the wall bracket to the wall using the four (Ø4 mm) screws supplied along with the 4 wall plugs (Ø6 mm). Use a 6mm drill bit.

2) Insert the 240VAC power cable:

- From above: cut through the upper part of the casing ❶ and insert the cable at the back.
- From behind: dedicated area ❷.

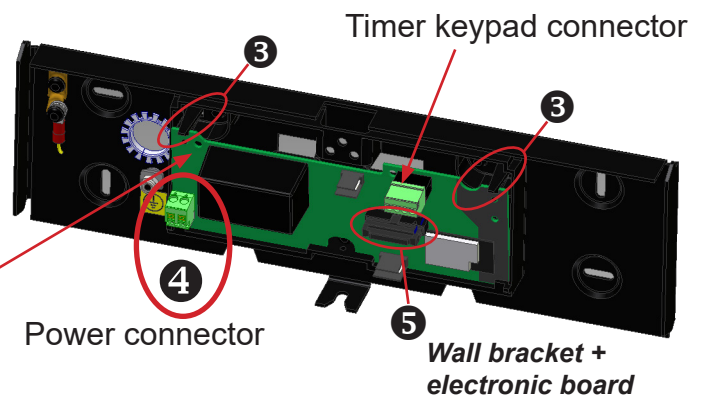


Back view

3) Clip the electronic board into the wall bracket. Insert the lower part of the electronic board into the back of the wall bracket, then push the upper part of the board into the back of the bracket until it clicks ❸.

4) Connect the 240 VAC power cable to the electronic board connector ❹.

5) Secure the power cable to the electronic board using a plastic tie (mounting holes provided in the electronic board).



Power connector

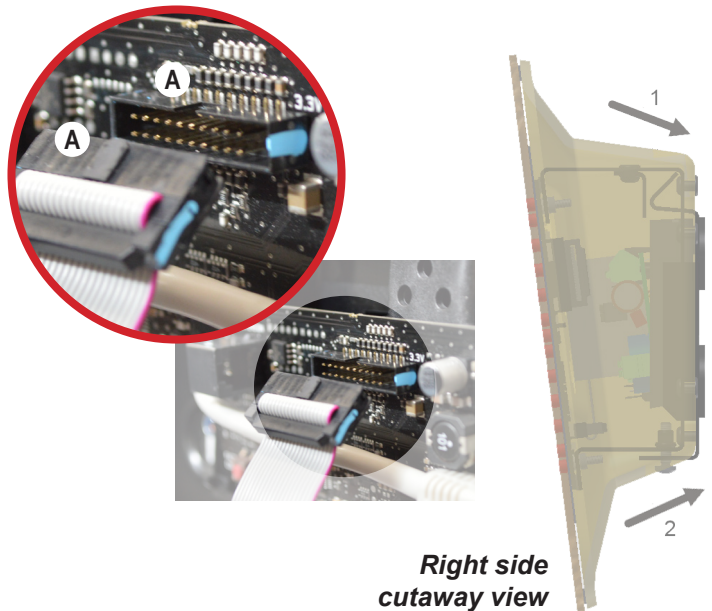
Wall bracket +
electronic board

6) Connect the ribbon from the LED modules (clock casing) to the electronic board ❺.

ATTENTION: To avoid damaging the product, please, watch for the orientation of the flat cable connector. For that purpose the connector is keyed (A).

7) Attach the clock to the wall bracket by inserting the upper part of the clock into the back of the bracket in the slots provided, then press the clock in until it clicks. Secure the clock to the bracket at the bottom, using the mounting screw provided.

Ensure that the cables are not pinched during this operation.



Right side
cutaway view

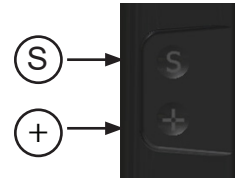
8) The clock may be subsequently detached from the bracket by lifting the lower part of the clock outwards, then removing the upper part.

9) Clean the clock using an anti-static cloth.

Important : about double face installation on support bracket, refer to the manual supports, ref.: 607847 (included with the bracket).

III – Location of "S" and "+" Keys

- 1) These two keys are located on the back of the clock:
 - Right side: when viewed from the back
 - Left side: when viewed from the front (when being handled)



- 2) The "S" key is above the "+" key.

- 3) When pressed, an LED lights up to indicate the selected key.

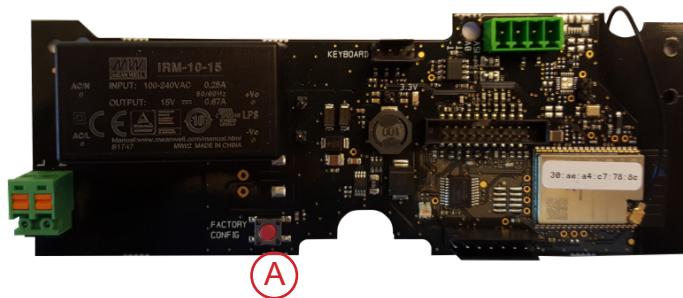
Examples (Style 7D & Style 10SD) showing the two keys pressed simultaneously:



IV – Default Configuration

To restore factory settings, press the red button (A) on the electronic board until the clock turns black. Open the clock to access this button (see Installation).

Location of Factory Config button on the electronic board:



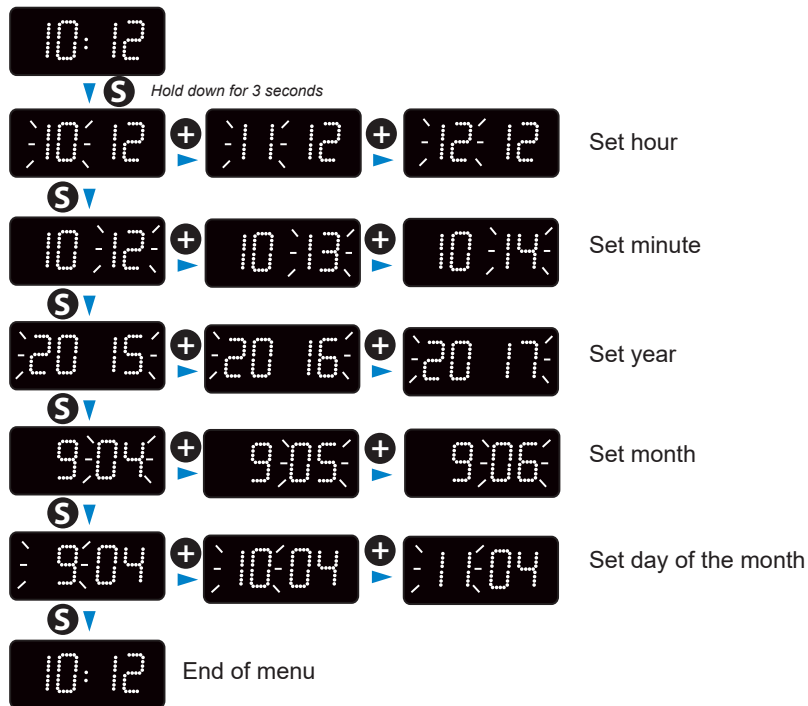
The full factory configuration is as follows:

- IP configuration by DHCP (DHCP: ON)
- Time zone: EUR
- Synchronisation: Multicast
- Synchronisation address: 239.192.54.1
- Clock name: BODET-@MAC
- Poll period for unicast synchronisation: 15 mins.
- SNMP disabled
- Trap type: V2C
- Temperature alarm threshold: -5°C to +55°C
- Trap status issue period: 24 hrs
- No password for embedded web server access
- Luminosity: level 3 for Style 5, 5S, 7, 7D, 7E and 7S
- level 4 for Style 10, 10S, 10D and 10SD
- 12 hr/24 hr mode: 24hr
- Synchronisation mode: NTP
- Eco mode: Nor
- Access Point mode activated in Open mode pending a password to switch to WPA2 mode.

V – Basic Configuration

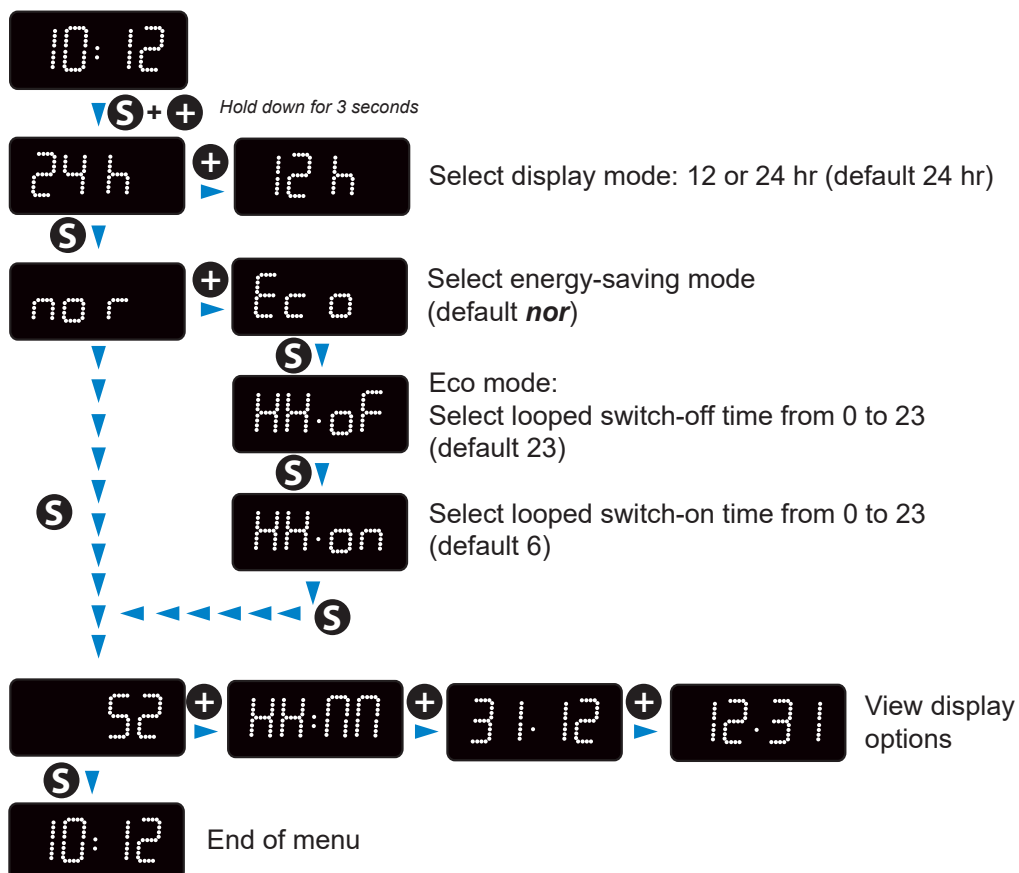
5.1 Setting time/date/year – all models except Style 7D-10D-10SD

To set time, date and year, press and hold "S" for 3 seconds.



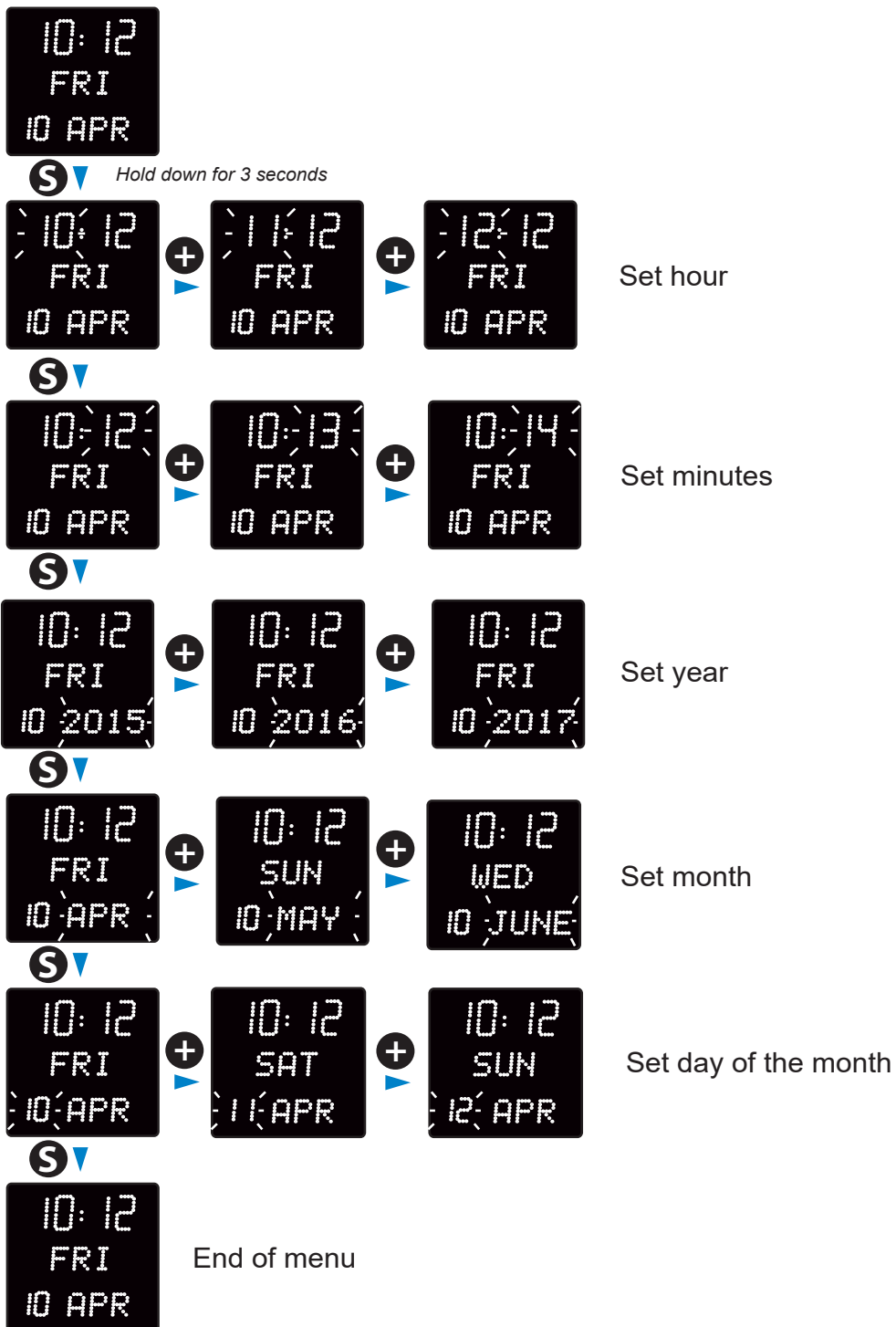
5.2 Configuration menu – all models except Style 7D-10D-10SD

Access the configuration menu by pressing and holding "S" then "+" for 3 seconds.



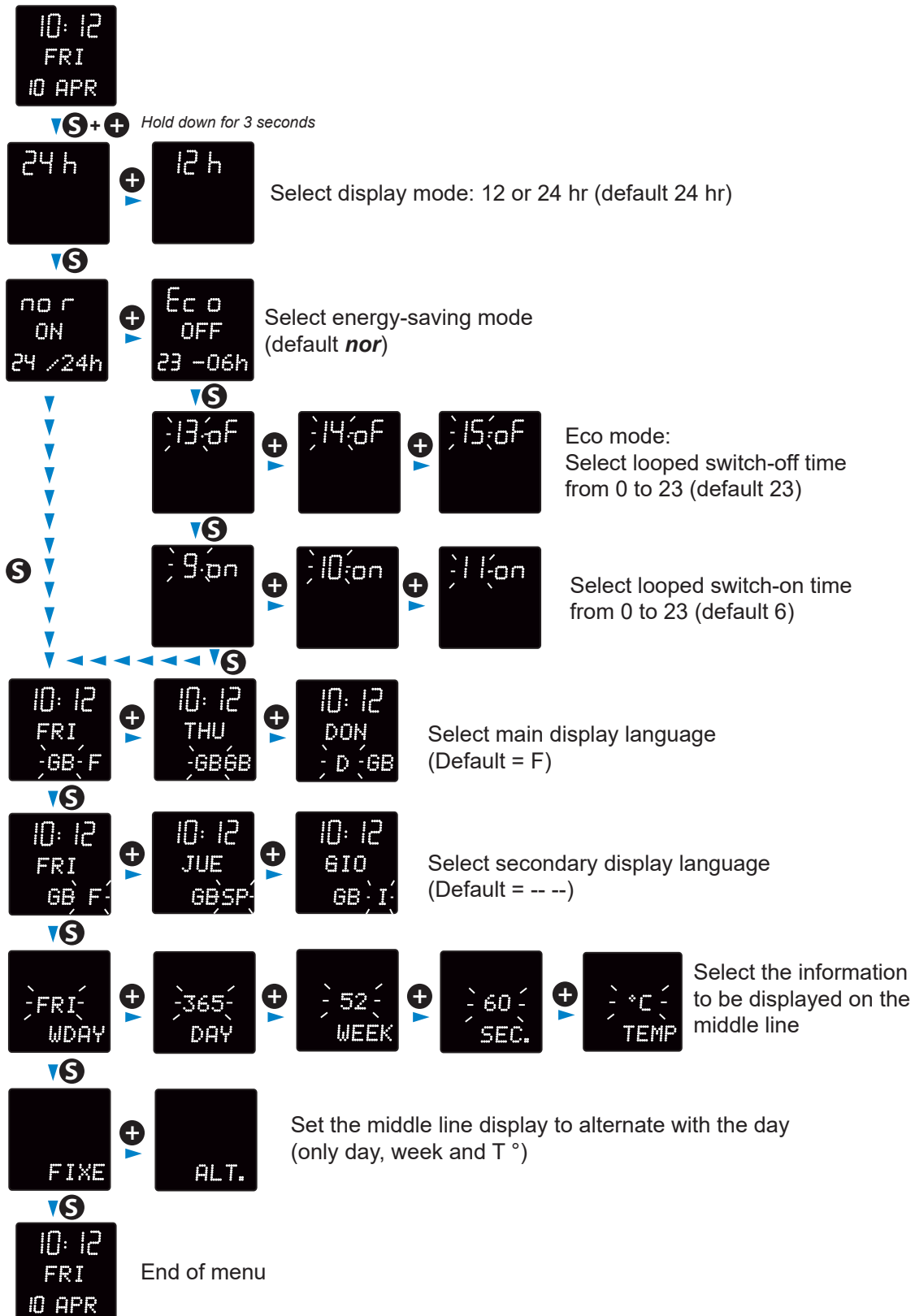
5.3 Setting time/date/year – Style 7D

To set time, date and year, press and hold "S" for 3 seconds.



5.4 Configuration menu – Style 7D

Access the configuration menu by pressing and holding "S" then "+" for 3 seconds.



Available display languages:

French (F), English (GB), German (D), Spanish (SP), Italian (I), Portuguese (P), Greek (GR), Dutch (NL), Denmark (DK), Norway (N), Swedish (S), Finland (FI), Poland (PL), Hungarian (HG), Russian (RU), Croatian (HR), Romanian (RO), Czech (CZ), Slovenian (CL), Arabic (AR), Turkish (TR) Catalan (CA), Basque (BA).

5.5 Setting time/date/year – Style 10D-10SD

To set time, date and year, press and hold "S" for 3 seconds.

The visuals below refer to the Style 10SD clock. However, the installation process shown also applies to Styles 10D because the seconds are not configurable.



S ▼ Hold down for 3 seconds



Set hour

S ▼



Set minutes

S ▼



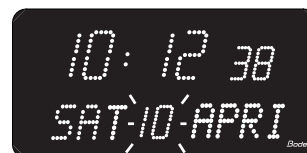
Set year

S ▼



Set month

S ▼



Set day of the month

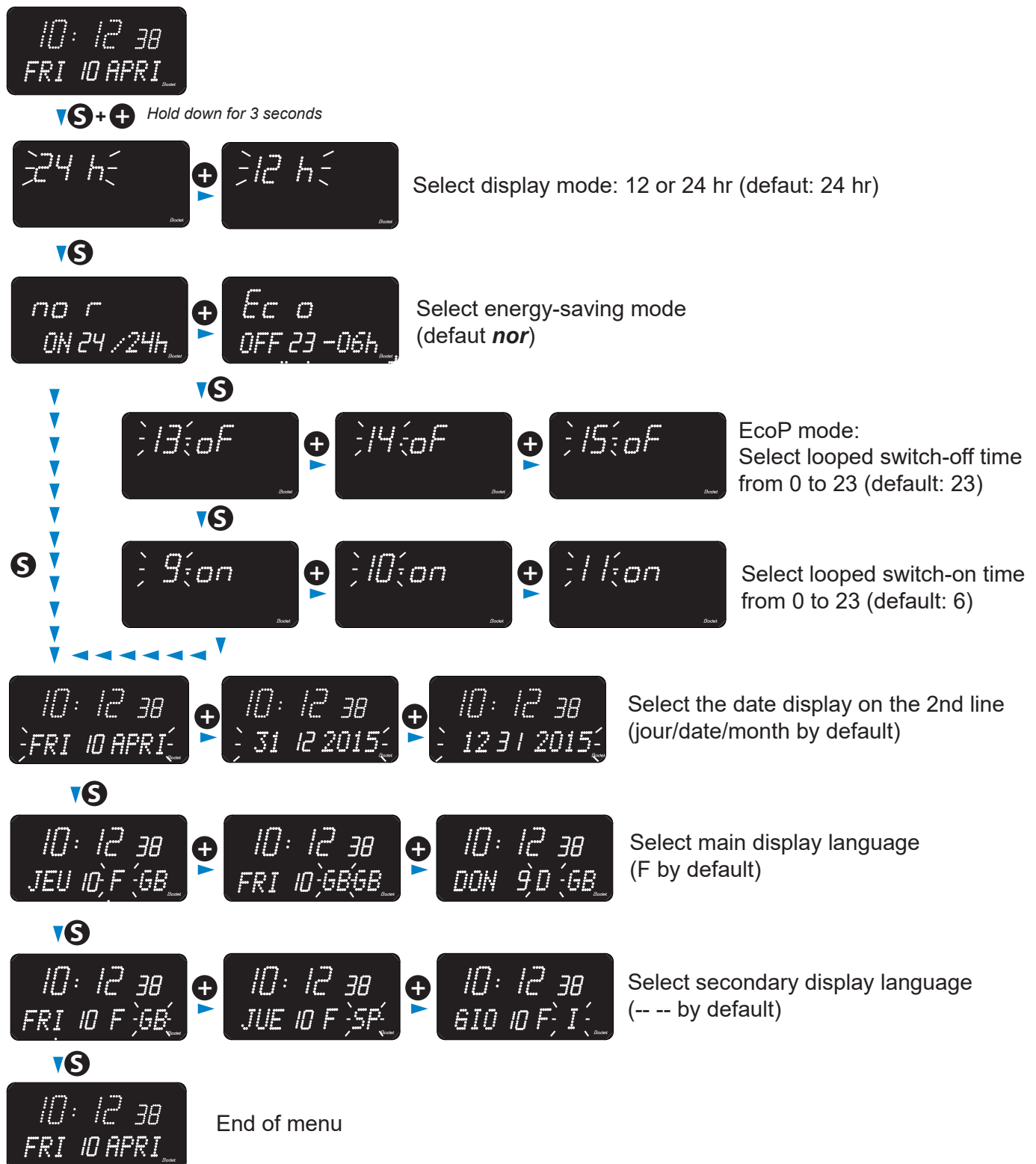
S ▼



End of menu

5.6 Configuration menu – Style 10D-10SD

Access the configuration menu by pressing and holding "S" then "+" for 3 seconds.

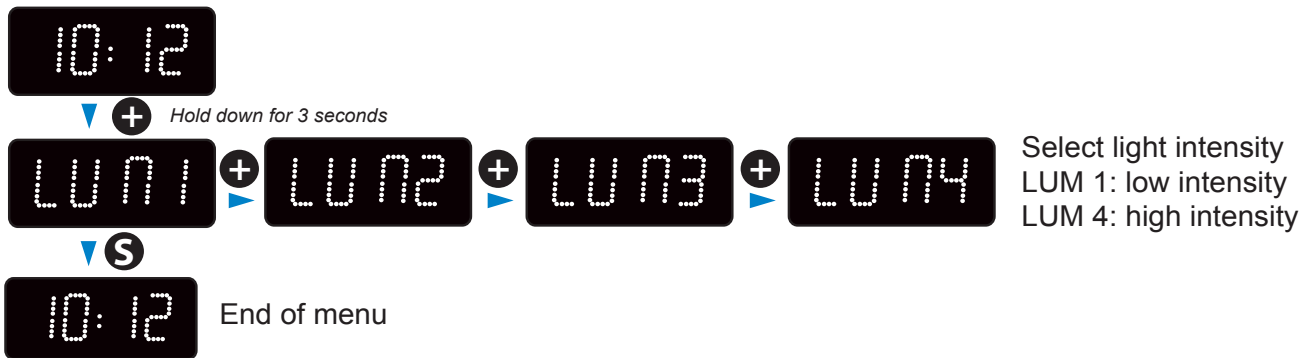


Available display languages:

French (F), English (GB), German (D), Spanish (SP), Italian (I), Portuguese (P), Greek (GR), Dutch (NL), Denmark (DK), Norway (N), Swedish (S), Finland (FI), Poland (PL), Hungarian (HG), Russian (RU), Croatian (HR), Romanian (RO), Czech (CZ), Slovenian (CL), Arabic (AR), Turkish (TR), Catalan (CA), Basque (BA).

VI – Adjusting the Brightness

Brightness can be adjusted when the Style clock is in normal operating mode, i.e. when it is neither in the configuration menu nor in the set time menu. The default brightness is level 3.



VII – Technician Menus

To access the maintenance menu, open the configuration menu by pressing and holding "S" then "+" for 3 seconds. Release both keys, then press and hold "S", then "+" again for 7 seconds.

7.1 Maintenance menu – all models except Style 7D-7E-10D-10SD

10:12

▼ S + + Hold down for 3 seconds

24 h

Open the « Configuration » menu

▼ S + + Hold down for 7 seconds

1A01

Software version

▼ S

nt P → nt P I → nt P

Select synchronisation mode: NTP or independent NTP (ntPI = The clock continues to work on its internal quartz.)

▼ S

no r + Init + no r

▼ S

« nor » mode:

- If the clock is not configured the message « no Id » is displayed.

no Id

- If the clock is configured, the Wi-Fi reception level is displayed:

from 1 to 3:  or  if the Wi-Fi signal is absent
(horizontal bars)

▼ S

▼ S Exit to T° offset adjustment or Clock restart

« Init » mode:

Out of the factory the clock behaves as an Access Point.

Once the clock is configured, the clock access point is deactivated.

It can be activated again by selecting « Init ».

To exit the « Init » mode and deactivate the Access Point select « nor ».

In the « Init » mode pressing « S » exit the technician menu and display the time.

0°0' + 0°5' + 9°5' + -9°5' + -0°5' + 0°0' + ...

▼ S

Set the T° offset. Accessible only if T° probe is connected

rstY → rstY

Resetting the clock (enabled when "rstY" is selected)

▼ S

dF n → dF Y

Restore to factory settings (enabled when "dF Y" is selected)

▼ S

88:88

Display test (tests for correct functioning of all LEDs)

▼ S

10:12

End of menu

7.2 Maintenance menu – Style 7D-7E



▼S+ Hold down for 3 seconds



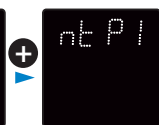
Open the « configuration » menu

▼S+ Hold down for 7 seconds



Software version

▼S



Select synchronisation mode: NTP or independent NTP (ntPI)

▼S



▼S

« nor » mode:

- If the clock is not configured the message « no Id » is displayed.



- If the clock is configured, the Wi-Fi reception level is displayed:

from 1 to 3:
(horizontal bars)



if the Wi-Fi signal is absent

▼S

▼S Exit to T° offset adjustment or Clock restart

« Init » mode:

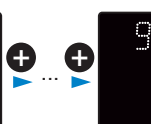
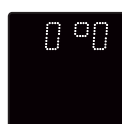
Out of the factory the clock behaves as an Access Point.

Once the clock is configured, the clock access point is deactivated.

It can be activated again by selecting « Init ».

To exit the « Init » mode and deactivate the Access Point select « nor ».

In the « Init » mode pressing « S » exit the technician menu and display the time.



Set the T° offset
(Style 7D-7E)

▼S



Resetting the clock (enabled when "rstY" is selected)

▼S



Restore to factory settings (enabled when "dF Y" is selected)

▼S



Display test (tests for correct functioning of all LEDs)

▼S



End of menu

7.3 Maintenance menu – Style 10D-10SD



▼S+ Hold down for 3 seconds



Open configuration menu

▼S+ Hold down for 7 seconds



Software version

▼S



Select synchronisation mode: NTP or independent NTP (ntPI)

▼S



▼S

« nor » mode:

- If the clock is not configured the message « no Id » is displayed.



- If the clock is configured, the Wi-Fi reception level is displayed:

from 1 to 3:
(horizontal bars)



if the Wi-Fi signal is absent

▼S

▼S

Exit to T° offset adjustment or Clock restart

« Init » mode:

Out of the factory the clock behaves as an Access Point.

Once the clock is configured, the clock access point is deactivated.

It can be activated again by selecting « Init ».

To exit the « Init » mode and deactivate the Access Point select « nor ».

In the « Init » mode pressing « S » exit the technician menu and display the time.



Set the T° offset

▼S



Resetting the clock (enabled when 'rstY' is selected)

▼S



Restore to factory settings (enabled when 'dF Y' is selected)

▼S



Display test (tests for correct functioning of all LEDs)

▼S



End of menu

VIII – Configuration of the Wi-Fi Clocks

The configuration of the Wi-Fi clocks can be done manually by accessing the embedded Web Server of each clock or automatically by using Bodet Detect on a laptop or Bodet Detect Mobile for Android smartphone. Refer to the Bodet Detect et Bodet Detect Mobile manuals for an automatic configuration.

Manual Configuration

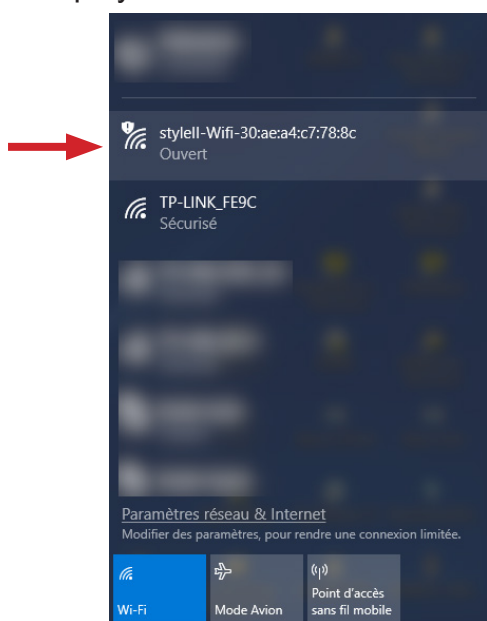
Accessing the imbedded Web server of the Wi-Fi clock to set its parameters is done as follow.

- Apply the power to the clock.

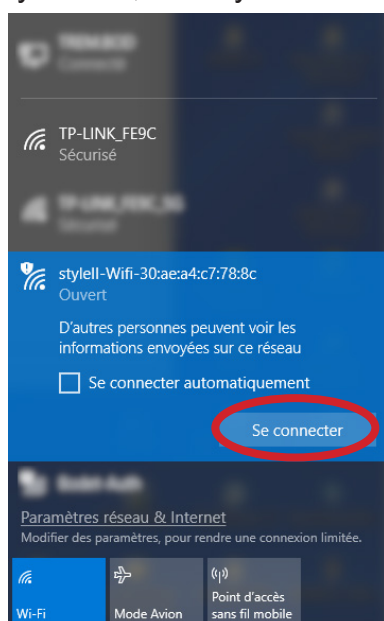
- Coming out of the factory the clock behaves as an Access Point (AP), and its IP address is always 192.168.100.1

Example: Style II 5 Wi-Fi (MAC address = 30:ae:a4:c7:78:8c)

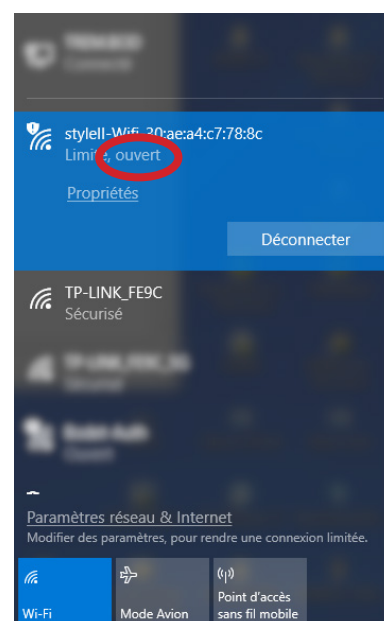
- Display the list of the Wi-Fi clocks on your PC, the Style 5 clock appears on the list



2.1. Click on this AP



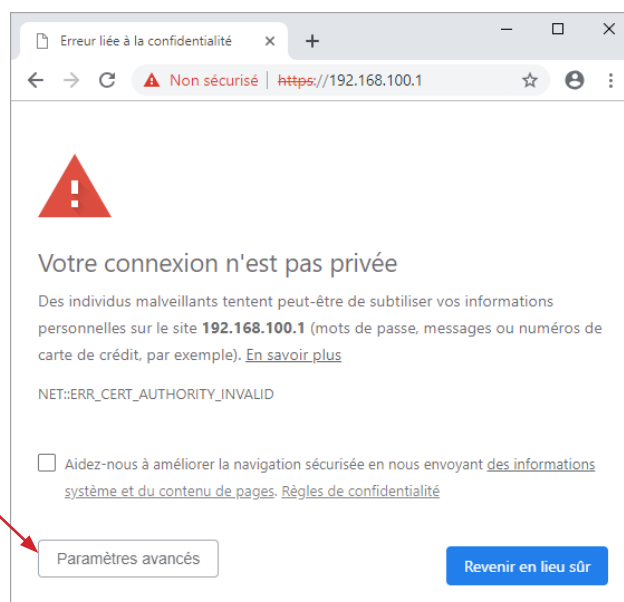
2.2. Click on « Connect »



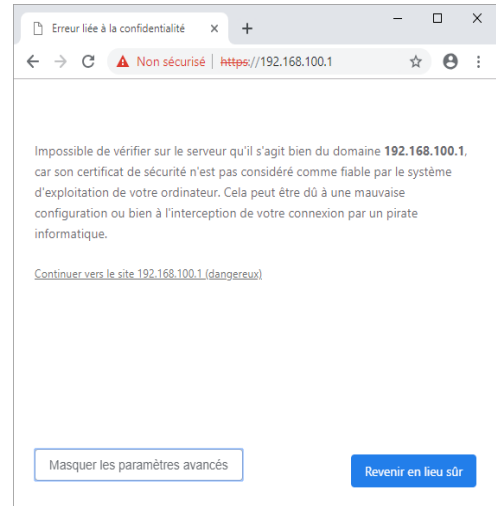
2.3. The PC is connected to the clock which is on the Open mode (not secured)

1-Once connected to the the Access Point of the clock start you web browser (Google Chrome) and enter the IP address 192.168.100.1

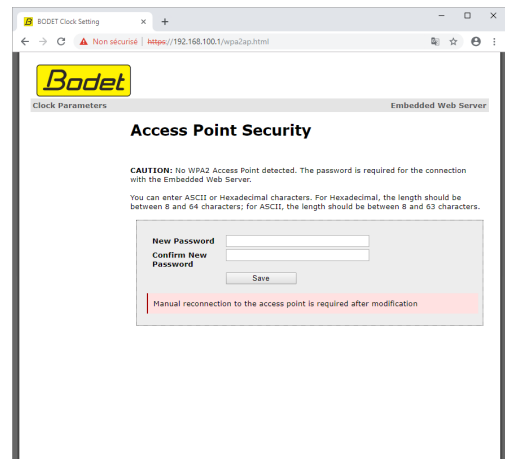
2- The following message is displayed on the PC screen (example with Google Chrome)
Click on «Advanced parameters».



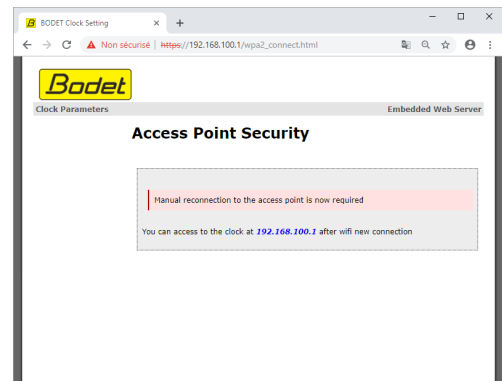
3- Click on «Continue...».(Google Chrome)



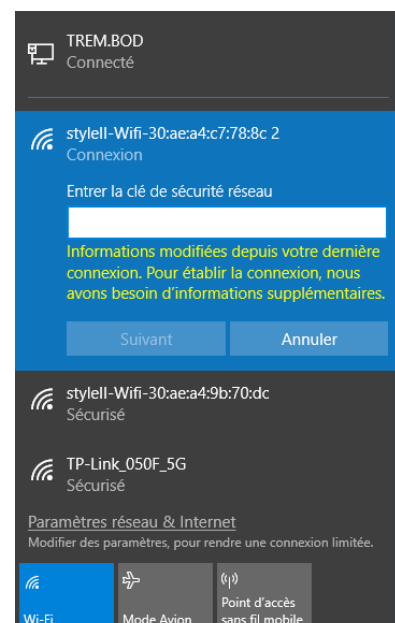
4- The next message prompt you to enter and confirm a password of your choice to secure the clock. Click on «Save» to validate



5- You are then invited to reconnect the PC to the AP of the clock.

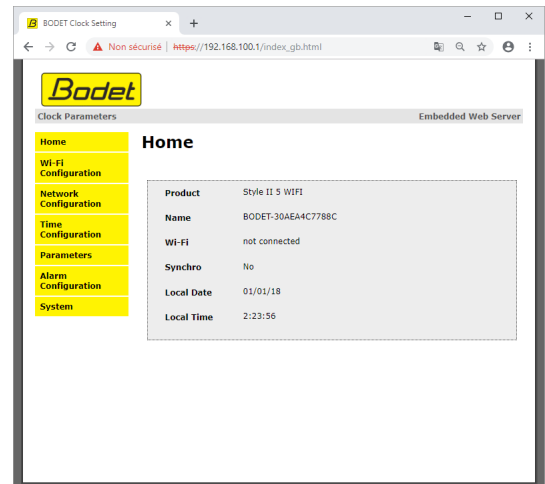


6- To reconnect the PC to the clock you must enter the password entered in step 4.



- 7- If the connection is successful, enter again the IP address of the access point (192.168.100.1) in the browser. The clock web server is now accessible and its Home page is displayed in on the PC screen.

Note: the clock is not yet connected to you network.



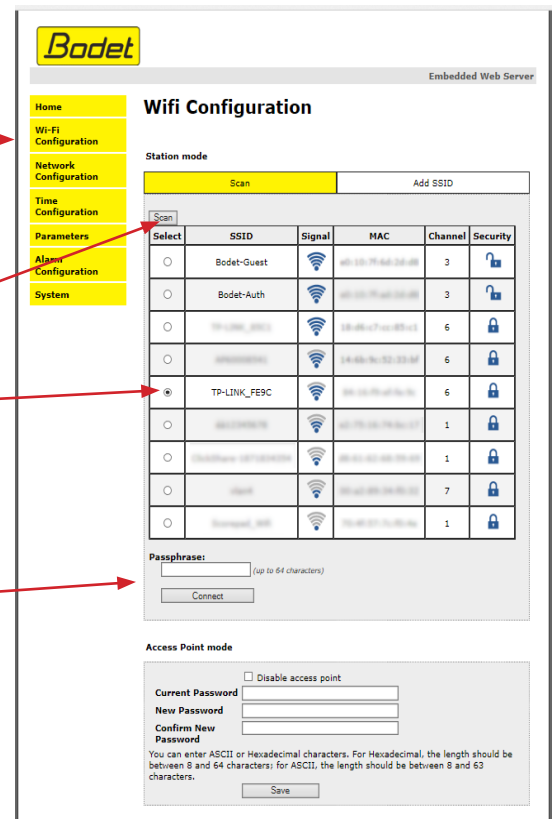
- 8- To choose the network open the «Wi-Fi Configuration» page

Station mode « Scan »

By default the «Wi-Fi Configuration» opens in the « Scan » mode which inventories automatically all the Wi-Fi network. You can click on «Scan» to refresh the list.

Select the desired Wi-Fi network.
(Example TP-Link_FE9C)

- 9- Enter the password associated with the SSID (Wi-Fi network) and click on «Connect»



- 10- Once the connection to the SSID is established the following message is displayed to confirm the connection.

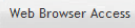
- 11- To continue the parameter setting of the clock either:
- navigate through the pages of the web server and set all the parameters,
 - or connect the PC to the Wi-Fi network by:
 - * clicking on «[here](#)»
 - * or enter the displayed IP address on the PC web browser to access the clock web server.



This procedure must be repeated for each Wi-Fi clock to be configured.

IX – Web interface

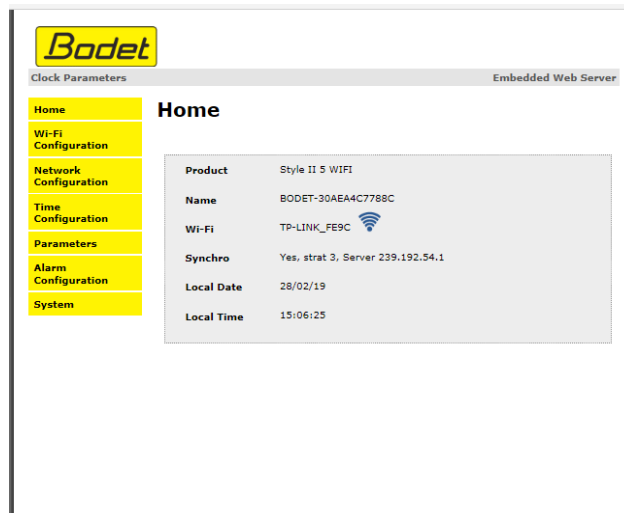
There are two ways to access the web interface to configure the clock:

- 1) Open a web browser and enter the IP address of the clock in the address bar.
- 2) Run BODET Detect software and click on  to open the appropriate web server for the networked clock (refer to the software instructions, ref.: 607548)

BODET Detect software can be used to:

- Detect all clocks on the network
- Configure each clock (individually or by copying the settings for one clock to a group of clocks)
- Update the clock's software version
- Check clock status
- Access downloaded MIB files

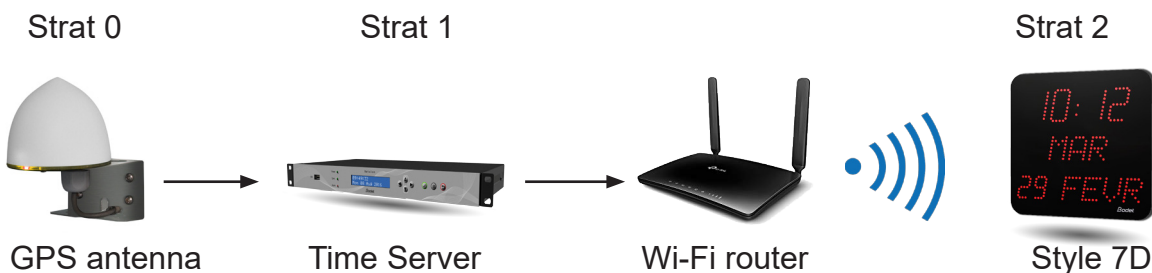
9.1 Home page



The clock web server home page contains general information about the clock. The information is displayed as follows:

- **Product:** product type + SF (Single Face) + SUP (Supervised)
- **Name:** user-defined clock name
- **Wi-Fi:** Service Set ID to which the clock is connected
- **Synchro:** synchronisation status ("Strat 3" indicates that the clock is at the 2nd level from the synchronisation source) + IP address of the server on which the clock is synchronised.

Wi-Fi Example:



- **Local date:** current date
- **Local time:** current time

9.2 WiFi Configuration

Bodet Embedded Web Server

Wifi Configuration

Station mode

Scan Add SSID

| Select | SSID | Signal | MAC | Channel | Security |
|----------------------------------|--------------|--------|----------------------|---------|----------|
| <input type="radio"/> | Bodet-Guest | | 48:1D:7F:66:28:68 | 3 | |
| <input type="radio"/> | Bodet-Auth | | 48:1D:7F:66:28:68 | 3 | |
| <input type="radio"/> | TP-LINK_80C1 | | 38:46:9C:74:01:85:01 | 6 | |
| <input type="radio"/> | TP-LINK_80C1 | | 38:46:9C:74:01:85:01 | 6 | |
| <input checked="" type="radio"/> | TP-LINK_FE9C | | 38:46:9C:74:01:85:01 | 6 | |
| <input type="radio"/> | TP-LINK_FE9C | | 38:46:9C:74:01:85:01 | 1 | |
| <input type="radio"/> | TP-LINK_FE9C | | 38:46:9C:74:01:85:01 | 1 | |
| <input type="radio"/> | TP-LINK_FE9C | | 38:46:9C:74:01:85:01 | 7 | |
| <input type="radio"/> | TP-LINK_FE9C | | 38:46:9C:74:01:85:01 | 1 | |

Passphrase: (up to 64 characters)

Connect

Access Point mode

Disable access point

Current Password

New Password

Confirm New Password

You can enter ASCII or Hexadecimal characters. For Hexadecimal, the length should be between 8 and 64 characters; for ASCII, the length should be between 8 and 63 characters.

Save

This page is used to configure the WiFi connection.

Scan Station mode (default) lists all the Wi-Fi networks available. The lists consists of 6 columns:

- **Select:** click the radio button to select the proper WiFi network, .
- **SSID:** lists the names of the detected Wi-Fi networks
- **Signal:** shows the signal strength of each Wi-Fi network
- **MAC:** lists the MAC address of each Wi-Fi networks

- **Channel:** displays the channel used by the Wi-Fi network access point.
- **Security:** shows the network security status.

Passphrase: to connect to the selected Wi-Fi network enter the password associated with it.

Add SSID Station mode

This station mode can be used to add hidden wireless networks such as enterprise networks which require login to connect.

4 types of security :

- open
- WEP
- WPA/WPA2 PSK
- WPA2-Enterprise

Possibility to force the connection by checking the tick box

Force connection

If the tick box is checked the parameters are saved regardless if the clock succeeds in connecting or not.

If the tick box is not checked, the parameters are saved only when the clock succeeds in connecting.

Access Point mode:

This section can be used to change the password associated with a particular network.

Save

saves the new password

Disable access point

Tick box unchecked: when losing its connection, the clock continuously tries to reconnect. After one hour the clock activate its Access Point mode.

Tick box checked: the Access Point mode is not automatically activated upon the loss of Wi-Fi connection.

9.3 Network configuration

Bodet

Clock Parameters Embedded Web Server

Home

Network Configuration

Time Configuration

Parameters

Alarm Configuration

System

Network Configuration

This page allows the configuration of the clock's network settings.

CAUTION: Incorrect settings may cause the clock to lose network connectivity.

Enter the new settings below:

| | |
|--|---|
| MAC Address | 00:0B:84:05:1A:A4 |
| Name | STYLE-7-Date-Green |
| | <input checked="" type="checkbox"/> Enable DHCP |
| IP Address | 10.17.10.118 |
| Subnet Mask | 255.255.0.0 |
| Gateway | |
| DNS Address | |
| <input type="button" value="Save and Reboot"/> | |

This page is used to configure the clock on the network. The warning indicates that the clock might lose network connectivity if the settings are incorrect.

The following information is displayed:

- **MAC Address:** This is the clock's MAC address. This address is unique to each device. This number is indicated on a label on the back of the Bodet clock and the attached label.
- **Name:** User-defined clock name.
- **Enable DHCP checkbox:** If checked, the device's network IP settings will be configured automatically.
If this box is unchecked, the following settings are available:
- **IP Address:** Manually sets the device's IP address (required).
- **Subnet Mask:** The subnet mask associates a clock with the local network (required).
- **Gateway:** The gateway can be used to connect the clock to two data networks.
- **DNS Address:** This can be used to associate a domain name with an IP address. This avoids having to enter an IP address in the browser as a user-defined name can be used instead. For example: www.bodet.com is easier to remember than 172.17.10.88.

saves your configuration and reboots the clock.

9.4 Time and synchronisation configuration

The Time Configuration page is divided into two parts. One is used to set the time zone, the other to set the synchronisation mode.

The following information is displayed:

- **Time Zone:** The time zone can be selected from the dropdown menu (summer/winter time is handled automatically depending on the selected time zone).

Select “PROG” in the dropdown menu to set time, month, fixed day or schedule for time changeovers:

- **NTP Mode:** Used to select one of 3 mode types:
 - o **Unicast:** In Address IP 1, enter the IP address of the NTP server. In this case, it is the clock that calls the NTP server.
It is also possible to set up redundancy (if the first server fails to respond, the second is requested and so on). For this purpose up to 5 server addresses may be entered (IP address 1/2/3/4/5).
The Periodicity field sets the frequency with which the clock requests the configured NTP servers.
 - o **Multicast:** In this case, the NTP server broadcasts the time on the Multicast address given to it. The Multicast address of the clients (receivers) must be the same as that on which the server broadcasts.
By default, Bodet products transmit or receive using the Multicast address: 239.192.54.1
The Multicast addresses are included between 224.0.0.0 and 239.255.255.255.
 - o **By DHCP:** As for Unicast mode, except the NTP server addresses are automatically retrieved via the DHCP server (option 42 enabled on the DHCP server).

The checkbox "Continue to display" is used to define how the clock should respond if NTP synchronisation has been lost for 48 hours:

- If "Continue to display" is OFF, the clock blacks out and the colon is fixed.
- If "Continue to display" is ON, the clock continues to operate using its internal time base and the colon «:» ceases to flash.

is used to save any settings made on this page.

9.5 Parameters

Bodet

Clock Parameters Embedded Web Server

Parameters

Display

Luminosity Level 2

Mode 12H/24H 12H 24H

Eco Mode Eco Normal

ON & OFF Time 23 H : OFF 6 H : ON
 Customize

Language Français English

Central Display Week day

Alt. Fixed
 Alternate display is not compatible with Day or Seconds display

Save

This page allows you to set the clock display on the network.

The information displayed is described below:

- **Luminosity:** Used to set clock brightness between 4 levels from 1 (low) to 4 (high). Default brightness is 3.
- **Mode 12H/24H:** Used to display the time in 12- hour or 24-hour mode. Example: 8:00 (in 12-hour mode) or 20:00 (in 24-hour mode).
- **Eco Mode:** Used to enable the clock's energy-saving mode. In Eco mode, the clock displays the flashing colon and is set to minimum brightness (level 1). This mode is set for a period configured below (ON & OFF Time). This mode is disabled if the user opens the configuration menu (using the "S" and "+" keys) or changes the settings on the web server or if the clock is rebooted.
- **ON & OFF Time:** Used to define the period when Eco mode is enabled. This mode is only enabled when the status changes. Example: if Eco mode is set at 8:30 for 8:00 (day D), the clock switches to this mode at 8:00 on the following day (D+1).
- **Language:** Only available on Style 7D, 10D and SD. This parameter displays the default language of the Style 7D, 10D and 10SD. Two drop-down menus are available to switch languages.
- **Central Display:** Only available on Style 7 Date. This parameter allows you to choose the information that will be displayed on the centre line. It is possible to display the alternation of week number and selected centre information.

is used to save any settings made on this page.

9.6 Alarm configuration

| Enable Alarms | Parameters |
|---|---|
| <input type="checkbox"/> Synchronisation failure ▲ | |
| <input checked="" type="checkbox"/> Reboot ● | |
| <input type="checkbox"/> Temperature ▲ | Thresholds <input type="text" value="-5"/> °C <input type="text" value="+55"/> °C |
| <input type="checkbox"/> Manipulation ▲ | |
| <input checked="" type="checkbox"/> Server access ▲ | |
| <input type="checkbox"/> Authentication failure ▲ | |
| <input type="checkbox"/> Periodic Status ● | Period (h) <input type="text" value="24"/> |
| <input type="checkbox"/> Low Wifi Signal ▲ | |
| <input type="checkbox"/> Long Disconnection ● | Duration (d) <input type="text" value="5"/> |

This page is used to enable clock supervision, to define the information to be transmitted and the destination server. One or more settings can be defined and configured as alarms.

The following information is displayed:

- **Enable SNMP checkbox:** enables monitoring of the clock from a SNMP manager.
- **Community:** A set of clocks defined by the user. All the clocks on the network must have the same Community name.
- **Enable SNMP Trap:** If enabled, error messages are sent to the SNMP Manager(s) automatically.
- **SNMP Manager 1/2/3:** IP addresses of servers receiving alerts from the clocks. SNMP Manager redundancy increases the reliability of alerts.
- **Synchronisation failure:** This setting is used to detect synchronisation discrepancies with the master clock (Sigma type) or the time server (Netsilon type).

Multicast: Alarm triggered when the multicast synchronisation is absent for at least 1 hour

Unicast: Alarm triggered when the unicast synchronisation is absent for 3 times the duration of the poll (periodicity) and at least 1 hour (allowing for the NTP server maintenance)

- **Reboot:** This setting is used to detect a clock reboot.
- **Temperature:** This setting is used to warn that the temperature range has been exceeded (variable temperature range).
- **Manipulation:** This setting is used to trigger an alert if a setting is changed manually on the clock (using the “S” and “+” keys).
- **Loemporiae omnis et deliam, sandi doluptiis eos num consed et vollam vollor audit**

- **Server access:** This setting is used to trigger an alert if a user connects to the web server of the clock.
- **Authentication failure:** This setting is used to trigger an alert if a user sends an incorrect ID to the web server of the clock.
- **Periodic Status:** This setting is used to verify that the device is still working correctly (in case alerts are “lost”). This verification is carried out at a set frequency.
- **Low WiFi Signal:** Indicates that the Wi-Fi signal is présent but weak.
- **Long Disconnection:** Loss of Wi-Fi network during several days. The alarm is triggered when the network is available again.



Information: The errors or faults reported are **minor** and a visit by a maintenance technician to correct the fault is not strictly necessary.



Warning: The errors or faults reported are **significant** and a visit by a maintenance technician to correct the fault is necessary.



Critical: The errors or faults reported are **serious** and an urgent visit by a maintenance technician to correct the fault is necessary.

Save

is used to save any settings made on this page.

SNMP Trap test

is used to send a trap status to all of the configured SNMP managers to ensure that supervision is configured correctly.

9.7 System

This page is divided into 5 parts as follows:

Info: Information panel displaying software version, time elapsed since the clock was powered on and the date of manufacture of the product (year/week).

Security: A warning message to inform the user that once set, the correct password must be used to establish the connection with the web server. To save a user name and password, enter the information in the fields provided for this purpose. Click to store your new ID and password. The tick box « Enable https » is checked by default enabling the encryption of the data.

Reboot: A warning message to inform the user that a clock reboot will cause network connectivity to be lost when the reboot occurs. The button reboots the clock.

Factory config: A warning message to inform the user that a reboot restoring factory settings will delete all user-defined settings and may cause the clock to lose network connectivity if there is no DHCP server on the network. The button reboots the clock, restoring factory settings.

Firmware: Possibility of upgrade of the clock firmware using to retrieve the upgrade file and to start the upgrade process

X – Technical Specifications

10.1 Wi-Fi models

- Synchronisation: RFC 2030 (SNTP V4) compliant, Unicast, Multicast or via DHCP
- Synchronisation status: colon flashes if the clock is synchronised; colon steady then blackout if a clock is not synchronised
- Network connection: Wi-Fi
- Power supply: 240 VAC
- Accuracy: ± 0.1 s with automatic changeover to summer/winter time
- Operating temperature: -5°C to $+55^{\circ}\text{C}$
- Protection rating: IP30, IK02
- Standards compliance: EN62368-1, EN 55022 and EN 55024

Power consumption:

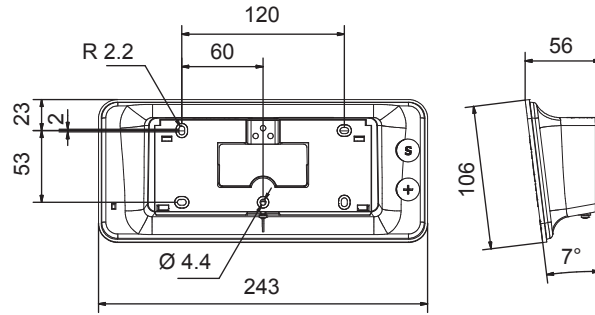
| | | Power supply | R/Y/G/W/B LEDs |
|--|----------------|--------------|----------------|
| Style 5-Style 5S | Wi-Fi receiver | 100-240 VAC | 250-150 mA |
| Style 7 - Style 7E - Style 7D - Style 7S | Wi-Fi receiver | 100-240 VAC | |
| Style10 - Style 10S | Wi-Fi receiver | 100-240 VAC | |
| Style 10D - Style 10SD | Wi-Fi receiver | 100-240 VAC | 350 - 200 mA |

The clocks in the Style range comply with Electromagnetic Compatibility Directive 2004/108/EC and Low Voltage Directive 2006/95/EC. These are class 2 products. In the domestic environment, these products may cause radio interference, in which case the user must take the appropriate measures. They are designed for a residential, commercial or light industrial environment. They are compliant with the European standards in force.

10.2 Clocks dimensions

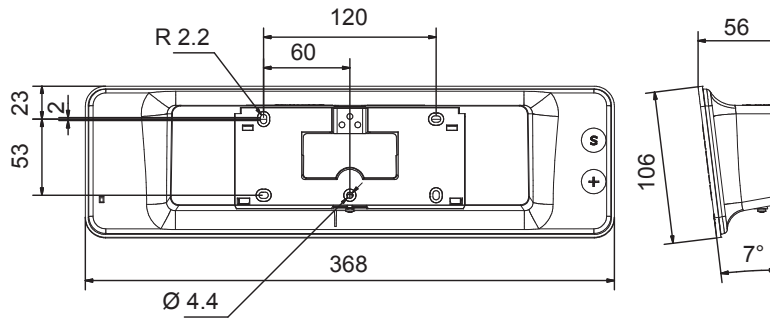
Style 5

– Weight: 0.33 kg



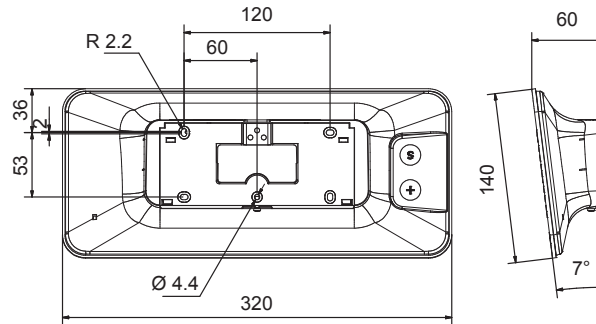
Style 5S

– Weight: 0.47 kg



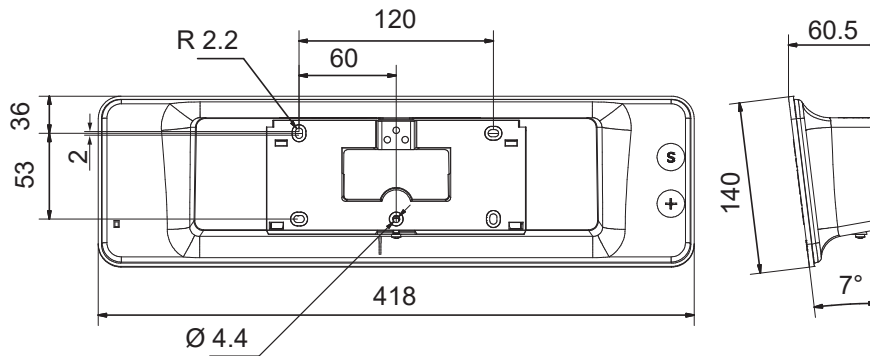
Style 7

– Weight: 0.51 kg



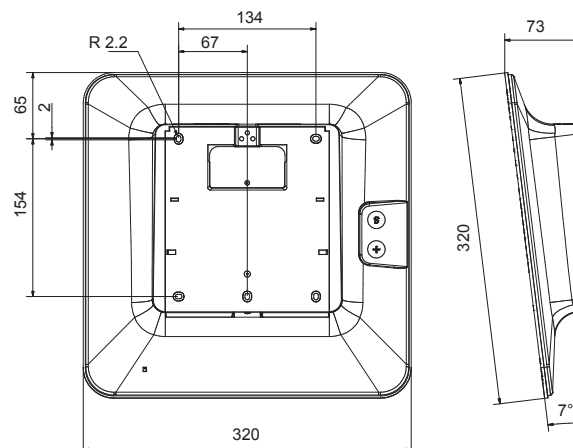
Style 7S

– Weight: 0.6 kg



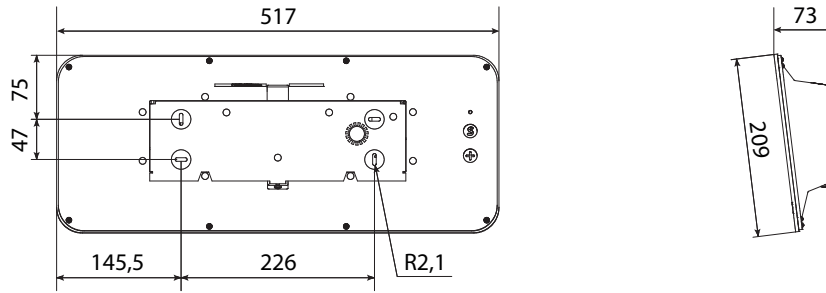
Style 7D & Style 7E

– Weight: 1.115 kg



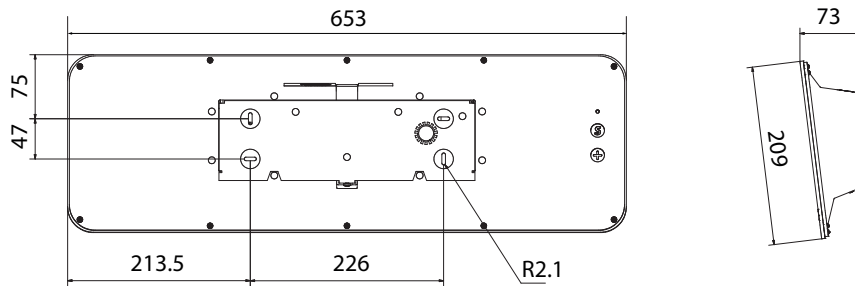
Style 10

– Weight: 2.1 kg



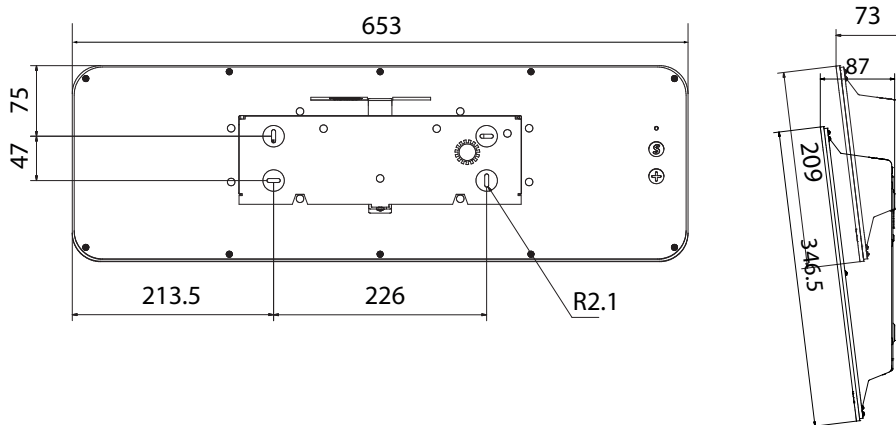
Style 10S

– Weight : 2.8 kg



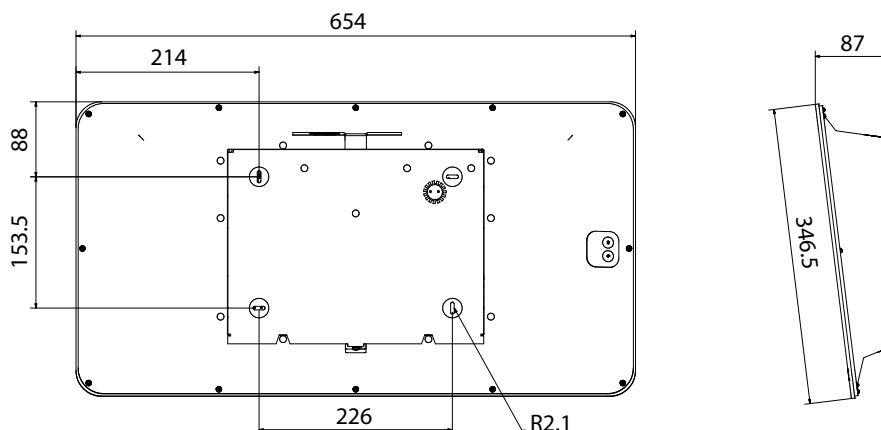
Style 10D

– Weight: 4 kg



Style 10SD

– Weight : 4 kg



XI – What to do if...

| What to do if... | Check that... |
|---|--|
| There is no synchronisation after installation. | 1) The signal type sent by the master clock is the same as the clock's signal type (i.e. NTP). 2) The IP address of the server is the same as the clock's web interface and the receiver. 3) The NTP server is on the same network as the slave (IP addresses, subnet mask and gateways). 4) The Wi-Fi is connected |
| The NTP slave is not set to the correct time. | 1) The time zone selected on the web server is correct. |
| There is no DHCP server on the network. | 1) The default network configuration on the clock is as follows: – IP: Addresses from 169.254.0.1 to 169.254.255.254 – MASK: 255.255.0.0 – GATEWAY: 0.0.0.0 – DNS: 0.0.0.0 |
| Loss of Wi-Fi connection | 1) The Wi-fi parameters are not modified (SSID, passphrase... contact the network administrator). Restart the clock (Rst y in the technician menu). |

XII - Appendix

Changing the time according to the time zone

| | UTC offset | | Winter/summer | | Summer/winter | |
|---------------|--------------|----|----------------------------|-------------|----------------------------|-------------|
| | HH | MM | Date | Time | Date | Time |
| ZH_HAWAI | -10 | 00 | Not applicable | | Not applicable | |
| ZH_L_ANGELES | -8 | 00 | Last Sunday March | 2:00 Local | 1e Sunday November | 2:00 Local |
| ZH_COLORADO | -7 | 00 | Last Sunday March | 2:00 Local | 1e Sunday November | 2:00 Local |
| ZH_CHICAGO | -6 | 00 | Last Sunday March | 2:00 Local | 1e Sunday November | 2:00 Local |
| ZH_NEW_YORK | -5 | 00 | Last Sunday March | 2:00 Local | 1e Sunday November | 2:00 Local |
| ZH_SANTIAGO | -4 | 00 | 2e Sunday April | 23:59 Local | 1e Sunday November | 23:59 Local |
| ZH_ACORES | -1 | 00 | Last Sunday March | 0:00 Local | Last Sunday October | 1:00 Local |
| ZH_LONDRES | 0 | 00 | Last Sunday March | 1:00 Local | Last Sunday October | 2:00 Local |
| ZH_PARIS | 1 | 00 | Last Sunday March | 2:00 Local | Last Sunday October | 3:00 Local |
| ZH_HELSINKI | 2 | 00 | Last Sunday March | 3:00 Local | Last Sunday October | 4:00 Local |
| ZH_MOSCOU | 3 | 00 | Summer time all year round | | Summer time all year round | |
| ZH_ABU_DHABI | 4 | 00 | Not applicable | | Not applicable | |
| ZH_CALCUTTA | 5 | 30 | Not applicable | | Not applicable | |
| ZH_BANGKOK | 7 | 00 | Not applicable | | Not applicable | |
| ZH_SINGAPOUR | 8 | 00 | Not applicable | | Not applicable | |
| ZH_TOKYO | 9 | 00 | Not applicable | | Not applicable | |
| ZH_ADELAIDE | 9 | 30 | Last Sunday October | 2:00 Local | Last Sunday April | 4:00 Local |
| ZH_SYDNEY | 10 | 00 | 1e Sunday October | 2:00 Local | 1e Sunday April | 3:00 Local |
| ZH_NOUMEA | 11 | 00 | Not applicable | | Not applicable | |
| ZH_MARTINIQUE | -4 | 00 | Not applicable | | Not applicable | |
| ZH_GUYANE | -3 | 00 | Not applicable | | Not applicable | |
| ZH_REUNION | 4 | 00 | Non applicable | | Non applicable | |
| ZH_PROG | Programmable | | Programmable | 2:00 Local | Programmable | 3:00 Local |

I – Vérification initiale

Nous vous remercions d'avoir choisi une horloge BODET.

Ce produit a été conçu avec soin pour votre satisfaction d'après les bases qualité ISO9001. Nous vous recommandons, de lire attentivement ce manuel ainsi que les consignes générales de sécurité et précautions d'utilisation avant de commencer à manipuler l'horloge.

Conserver ce manuel pendant toute la durée de vie de votre horloge afin de pouvoir vous y reporter à chaque fois que cela sera nécessaire.

Données non contractuelles. Bodet se réserve le droit d'apporter aux appareils certaines modifications fonctionnelles, techniques, esthétiques, ou de couleurs, sans préavis.

Tout usage non conforme à la présente notice peut causer des dommages irréversibles sur l'horloge, et entraîne l'annulation de la garantie.

La présente notice concerne les modèles NTP/Wi-Fi. Pour les autres synchronisations, se reporter à la notice correspondante.

La présente notice concerne les modèles d'horloges suivantes:

Style 5: affichage des heures et minutes par chiffres de 5 cm.

Style 5S (seconde): affichage des heures, minutes et secondes par chiffres de 5 cm.

Style 7: affichage des heures et minutes par chiffres de 7 cm.

Style 7D (date): affichage des heures, des minutes, de la date, du jour et de la semaine. Hauteur des chiffres 7 cm et des lettres 5 cm.

Style 7E (ellipse): affichage des heures et des minutes avec la seconde tournante sur ellipse. Hauteur des chiffres 7 cm.

Style 7S (seconde): affichage des heures et minutes par des chiffres de 7 cm. Affichage des secondes par des chiffres de 5 cm.

Style 10: affichage des heures et minutes par chiffres de 10 cm.

Style 10S (seconde): affichage des heures et des minutes par chiffres de 10 cm, des secondes par des chiffres de 7 cm.

Style 10D (date): affichage des heures, des minutes, de la date, du jour et de la semaine. Hauteur des chiffres 10 cm et des lettres 7 cm.

Style 10SD (seconde - date): affichage des heures et minutes par des chiffres de 10 cm, des secondes, de la date, du jour et de la semaine et des lettres par des chiffres de 7 cm.

1.1 Déballage de l'horloge

Déballer soigneusement l'horloge et vérifier le contenu de l'emballage. Celui-ci doit comprendre :

- L'horloge Style,
- 3 vis (Ø 4 mm) + chevilles (Ø 6 mm) pour les modèles Style 5 et 7 et 4 vis (Ø 4 mm) + chevilles (Ø 6 mm) pour les modèles Style 10.
- Une pochette de nettoyage antistatique,

- **IMPORTANT : marquage étiquette produit.**

Une étiquette signalétique, apposée au dos de l'horloge est visible. Elle indique un lien URL permettant de télécharger cette notice

1.2 Nettoyage

Utiliser un produit antistatique identique à celui de la pochette de nettoyage fournie.
Ne jamais utiliser d'alcool, d'acétone ou autres solvants susceptibles d'endommager l'horloge.

1.3 Pré-requis

Pour la mise en service des horloges, installer le logiciel **BODET Detect** sur un PC portable ou **BODET Detect Mobile** si vous avez un smartphone Android. Ces logiciels sont disponibles sur le site internet www.bodet-time.com, en téléchargement gratuit.

Lors de l'installation, choisir l'emplacement où sera installée l'horloge en privilégiant un endroit exempt de parasites électriques (transformateur, ...).

1.4 Sécurité

Ce produit a été conçu pour satisfaire vos besoins conformément aux normes de qualité ISO 9001. Lisez attentivement les consignes de sécurité avant d'installer et configurer les horloges. Observez les conseils de sécurité à tout moment durant l'installation, l'utilisation et l'entretien du produit.

Installation du produit

L'installation et la maintenance de cet appareil doivent être effectuées par du personnel agréé. Ce produit ne doit pas être installé par des utilisateurs non autorisés.

L'installation électrique de ce matériel doit être conforme aux normes électriques correspondantes.

Ouverture du produit

Ce produit ne comporte aucun composant réparable par l'utilisateur. Contactez le service client BODET si le produit doit être dépanné.

Ne jamais ouvrir le produit quand celui-ci est connecté à la source d'alimentation.

 **Couper l'alimentation en amont (coupe-circuit, disjoncteur...) avant toute intervention.**

Mise à la terre

Ce produit est un produit de classe 2, il ne nécessite donc pas de mise à la terre.

II – Installation Style Wi-Fi

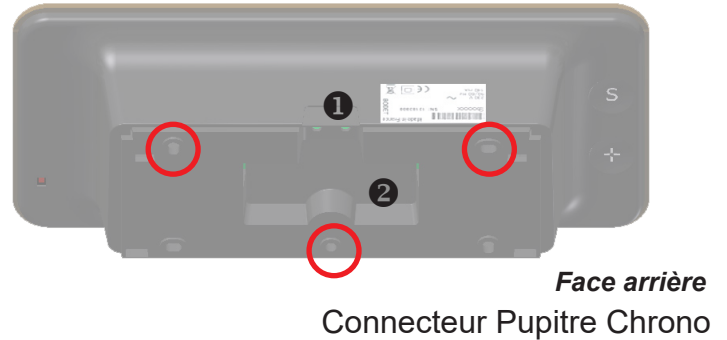
2.1 Montage mural Style 5-5S-7-7D-7E-7S

Les visuels ci-après sont relatifs à une horloge Style 5. Cependant, le principe de montage est identique aux Style 5S, 7, 7D, 7E et 7S. Reportez vous aux caractéristiques techniques page 66 afin de visualiser les dimensions des horloges.

1) Fixer le support mural au mur à l'aide des 3 vis Ø 4mm. + chevilles Ø 6mm

2) Faire passer le câble réseau alimentation :

- Par le dessus : découper le boîtier en partie haute ❶ et faire passer le câble par l'arrière.
- Directement par l'arrière : espace dédié ❷.

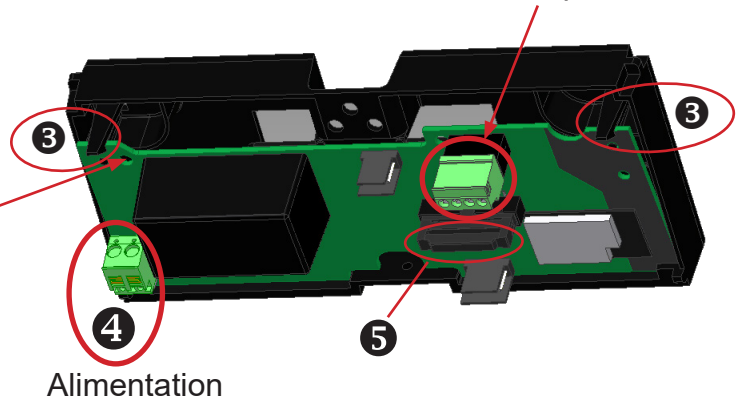


3) Fixer le support mural au mur puis clipser la carte électronique.

Caler le bas de la carte électronique au fond du support mural puis pousser la partie haute de la carte au fond du support jusqu'au clic ❸.

4) Raccorder le câble alimentation 230VAC sur le connecteur de la carte électronique ❹.

5) Fixer le câble alimentation sur la carte électronique à l'aide d'un collier plastique (trous de fixation prévus sur la carte électronique).

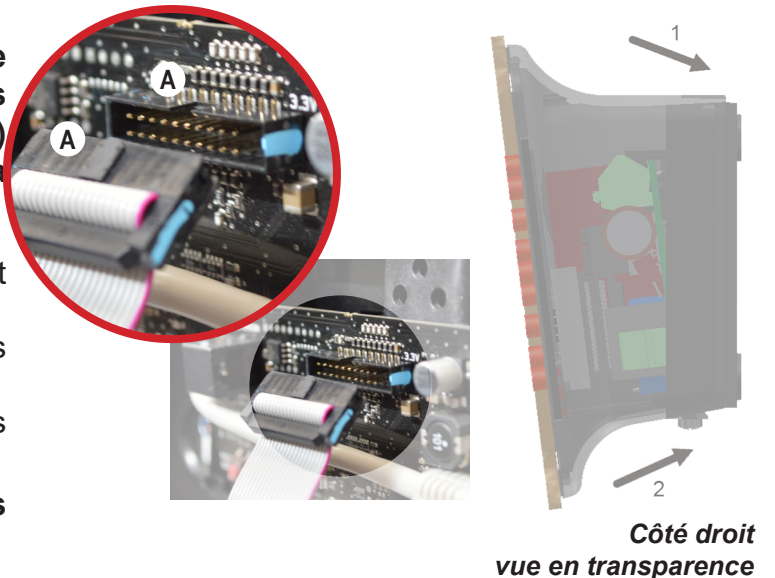


6) Fixer la nappe des modules LED (boîtier horloge) sur la carte électronique ❺.

ATTENTION : Veiller à respecter le sens de câblage de la nappe afin de ne pas détériorer le produit. Un détrompeur (A) est présent afin de vous indiquer le sens à respecter.

7) Clipser l'horloge sur son support en plaçant le haut de l'horloge au fond du support dans les logements dédiés, puis rabattre l'horloge jusqu'au déclic. Verrouiller l'horloge sur le support avec la vis de fixation en partie basse.

Prendre garde de ne pas pincer les câbles lors de cette opération.



8) L'horloge pourra ultérieurement être déclipée de son support, en tirant vers soi la partie basse de l'horloge, puis en la dégageant par le haut.

9) Nettoyer l'horloge à l'aide du chiffon antistatique.

Important : concernant l'installation double face sur potence, se reporter à la notice des supports, réf.: 607847 (livrée avec le support).

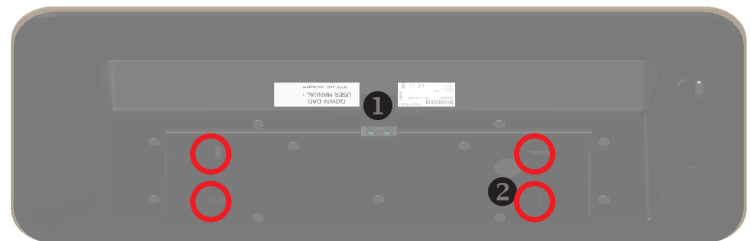
2.2 Montage mural Style 10-10S-10D-10SD

Les visuels de l'installation murale sont relatifs à une horloge Style 10. Cependant, le principe de montage est identique à une Style 10S, 10D et 10SD. Reportez vous aux caractéristiques techniques page 67 afin de visualiser les dimensions des horloges.

1) Fixer le support mural au mur à l'aide des 4 vis Ø 4mm. + chevilles Ø 6mm

2) Faire passer le câble alimentation 240 VAC:

- Par le dessus : découper le boîtier en partie haute, entre les deux étiquettes ①.
- Par l'arrière : espace dédié ②.

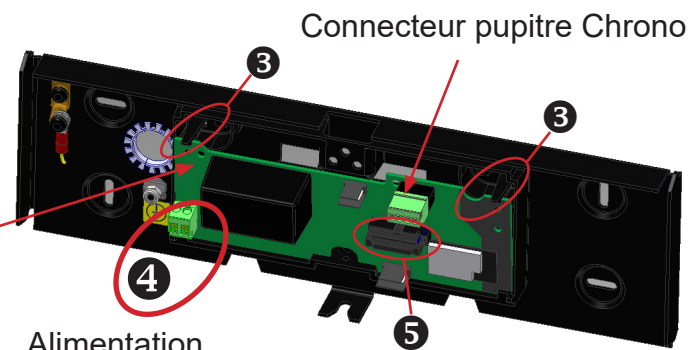


Vue arrière

3) Fixer le support mural au mur puis clipser la carte électronique. Caler le bas de la carte électronique au fond du support mural puis pousser la partie haute de la carte au fond du support jusqu'au clic ③.

4) Raccorder le câble d'alimentation 230VAC sur le connecteur de la carte électronique ④

5) Fixer le câble alimentation sur la carte électronique à l'aide d'un collier plastique (trous de fixation prévus sur la carte électronique).



Alimentation

Support mural +
carte électronique

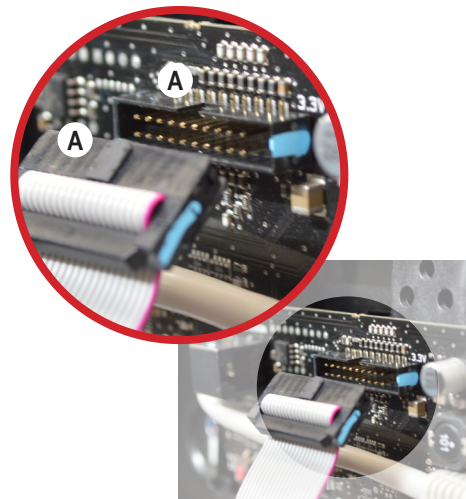
6) Fixer la nappe des modules LED (boîtier horloge) sur la carte électronique ⑤.

ATTENTION : Veiller à respecter le sens de câblage de la nappe afin de ne pas détériorer le produit. Un détrompeur (A) est présent afin de vous indiquer le sens à respecter.

7) Clipser l'horloge sur son support en plaçant le haut de l'horloge au fond du support dans les logements dédiés, puis rabattre l'horloge jusqu'au déclic.

Verrouiller l'horloge sur le support avec la vis de fixation en partie basse.

Prendre garde de ne pas pincer les câbles lors de cette opération.



Côté droit
vue en transparence



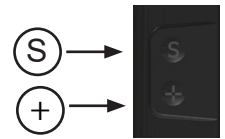
8) L'horloge pourra ultérieurement être déclipée de son support, en tirant vers soi la partie basse de l'horloge, puis en la dégageant par le haut.

9) Nettoyer l'horloge à l'aide du chiffon antistatique.

Important : concernant l'installation double face sur potence, se reporter à la notice des supports, réf.: 607847 (livrée avec le support).

III – Emplacement des touches «S» et «+»

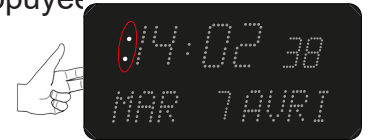
- 1) Ces deux touches sont situées au dos de l'horloge:
 - à droite vue de dos,
 - à gauche vue de face (en situation de manipulation).



- 2) La touche "S" est au-dessus de la touche "+".



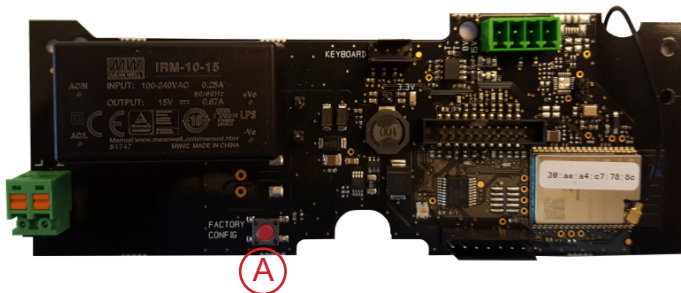
- 3) Lors de l'appui, une LED s'illumine afin de localiser la touche sélectionnée.
Exemples d'une Style 7D et Style 10SD lors que les deux touches sont appuyées simultanément :



IV – Configuration par défaut

Le retour à la configuration usine s'effectue en appuyant, jusqu'à la mise au noir de l'horloge, sur le bouton poussoir (rouge) **(A)** de la carte électronique. Ouvrir l'horloge pour accéder à ce bouton poussoir (voir installation mécanique).

Localisation du bouton poussoir sur la carte électronique:



La configuration usine complète est la suivante :

- Configuration IP par DHCP (DHCP: ON).
- Time zone : EUR
- Synchronisation : Multicast
- Adresse de synchronisation : 239.192.54.1
- Nom de l'horloge : «BODET-@MAC»
- Période de poll (periodicité) pour synchronisation unicast : 15 minutes.
- SNMP désactivé
- Type de trap : V2C
- Seuil pour alarme température : -5°C à +55°C
- Période d'émission du trap status : 24H
- Pas de mot de passe d'accès au serveur web embarqué
- Luminosité : niveau 3 pour Style 5, 5S, 7, 7D, 7E et 7S
niveau 4 pour Style 10, 10D, 10S et 10SD
- Mode 12H/24H : 24H
- Eco Mode : Nor.
- Synchronisation mode: NTP
- Mode Point d'Accès activé en Open en attente d'un mot de passe pour passer en WPA2

V – Configuration basique

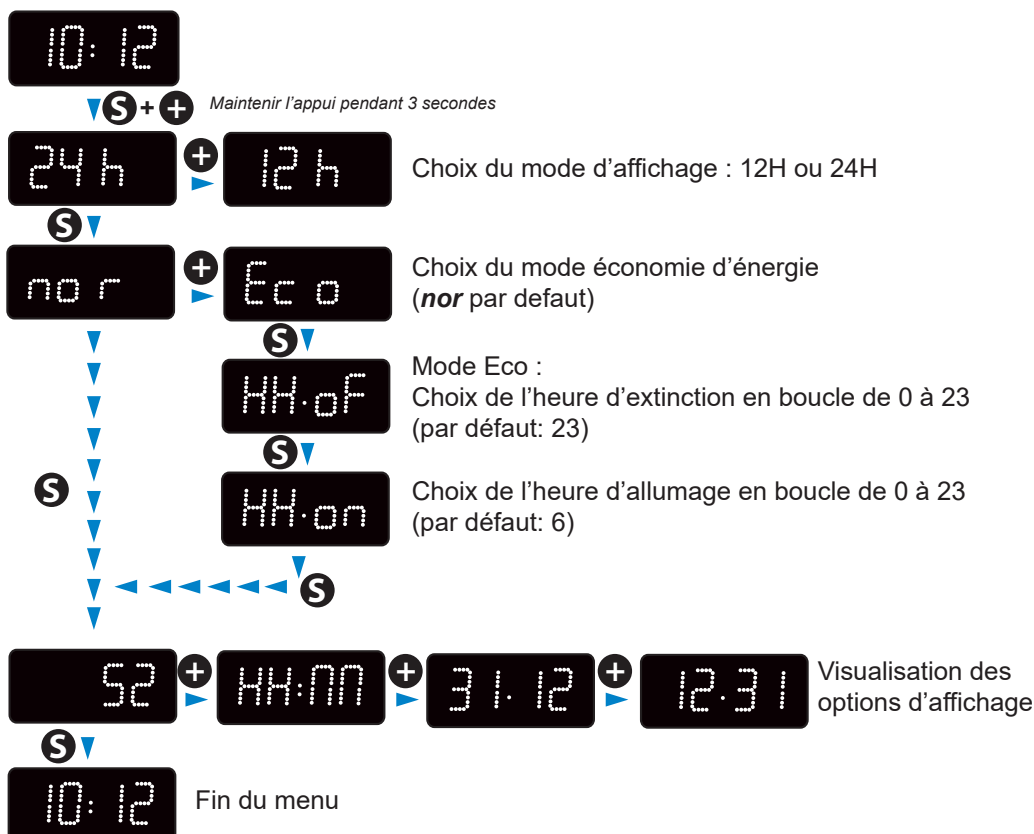
5.1 Réglage Heure/Date/Année toutes versions sauf Style 7D-10D-10SD

Accéder au réglage de l'heure, de la date et de l'année en appuyant sur «S» pendant 3 secondes.



5.2 Menu configuration toutes versions sauf Style 7D-10D-10SD

Accéder au menu configuration en appuyant sur «S» (maintenir l'appui) puis sur «+» pendant 3 secondes.



5.3 Réglage Heure/Date/Année Style 7D

Accéder au réglage de l'heure, de la date et de l'année en appuyant sur «S» pendant 3 secondes.



S ▼ Maintenir l'appui pendant 3 secondes



Réglage de l'heure

S ▼



Réglage des minutes

S ▼



Réglage de l'année

S ▼



Réglage du mois

S ▼



Réglage du jour
dans le mois

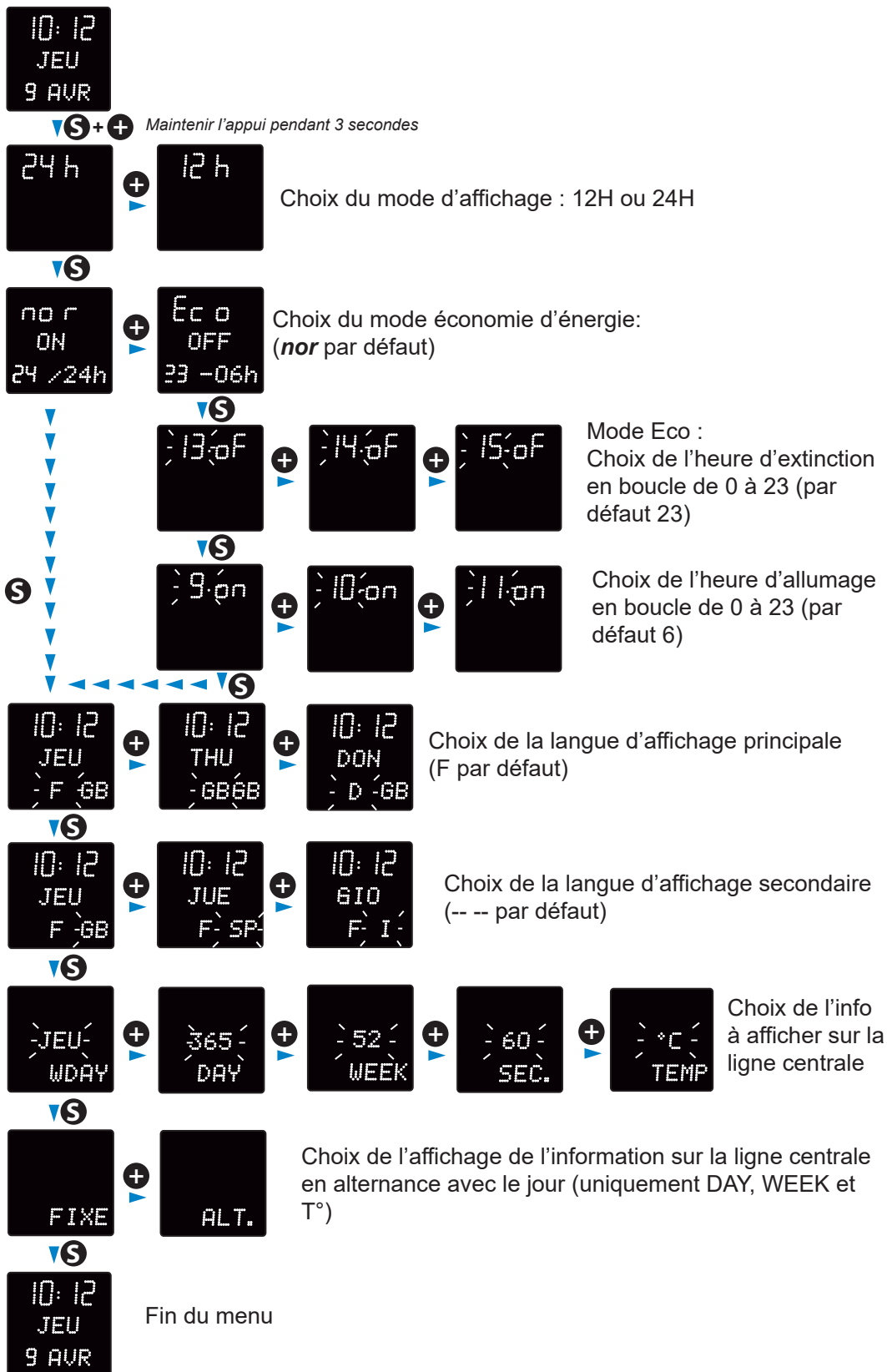
S ▼



Fin du menu

5.4 Menu configuration Style 7D

Accéder au menu configuration en appuyant sur «S» (maintenir l'appui) puis sur «+» pendant 3 secondes.



Langues d'affichage disponibles :

Français (F), Anglais (GB), Allemand (D), Espagnol (SP), Italien (I), Portugais (P), Grec (GR), Néerlandais (NL), Danois (DK), Norvégien (N), Suédois (S), Finlandais (FI), Polonais (PL), Hongrois (HG), Russe (RU), Croatie (HR), Roumain (RO), Tchèque (CZ), Slovène (CL), Arabe (AR), Turc (TR), Catalan (CA), Basque (BA).

5.5 Réglage Heure/Date/Année Style 10D-10SD

Accéder au réglage de l'heure, de la date et de l'année en appuyant sur «S» pendant 3 secondes.

Les visuels ci-après sont relatifs à une horloge Style 10SD. Cependant, le principe de réglage est identique aux Style 10D car les secondes ne sont pas configurables.



S ▼ Maintenir l'appui pendant 3 secondes



Réglage de l'heure

S ▼



Réglage des minutes



Réglage de l'année

S ▼



Réglage du mois

S ▼



Réglage du jour dans le mois

S ▼



Fin du menu

5.6 Menu configuration Style 10D-10SD

Accéder au menu configuration en appuyant sur «S» (maintenir l'appui) puis sur «+» pendant 3 secondes.



▼S+ + Maintenir l'appui pendant 3 secondes



Choix du mode d'affichage : 12H ou 24H

▼S



Choix du mode économie d'énergie:
(*nor* par défaut)

▼S



Mode Eco :
Choix de l'heure d'extinction
en boucle de 0 à 23 (par
défaut 23)

▼S



Choix de l'heure d'allumage
en boucle de 0 à 23 (par
défaut 6)



Choix de l'affichage de la
date sur la 2ème ligne
(par défaut: jour/date/mois)

▼S



Choix de la langue d'affichage principale
(F par défaut)

▼S



Choix de la langue d'affichage secondaire
(-- -- par défaut)

▼S



Fin du menu

Langues d'affichage disponibles :

Français (F), Anglais (GB), Allemand (D), Espagnol (SP), Italien (I), Portugais (P), Grec (GR), Néerlandais (NL), Danois (DK), Norvégien (N), Suédois (S), Finlandais (FI), Polonais (PL), Hongrois (HG), Russe (RU), Croatie (HR), Roumain (RO), Tchèque (CZ), Slovène (CL), Arabe (AR), Turc (TR), Catalan (CA), Basque (BA).

VI – Réglage de la luminosité

Le réglage de luminosité peut être effectué lorsque l'horloge Style est en mode d'utilisation normale, c'est-à-dire lorsqu'elle ne se trouve ni dans le menu de configuration, ni dans le menu de mise à l'heure. Niveau de luminosité par défaut : 3.



VII – Menu technicien

Pour entrer dans le menu technicien, accéder au menu configuration en appuyant sur «S» (maintenir l'appui) puis sur «+» pendant environ 3 secondes. Ensuite, après avoir relâché ces deux touches, appuyer de nouveau sur «S» puis «+» pendant environ 7 secondes.

7.1 Menu technicien toutes versions sauf Style 7D-7E-10D-10SD

10:12

▼S ++

Maintenir l'appui pendant 3 secondes

24h

▼S ++

Accès au menu configuration

Maintenir l'appui pendant 7 secondes

1R01

▼S

Version du logiciel

ntP

▼S

ntP1

ntP-

Choix du mode de synchronisation : NTP (défaut) ou NTP indépendant (horloge fonctionne sur sa base de temps interne)

no r

▼S

Mode « nor » :

- Si l'horloge n'est pas configurée le message « no ld » est affiché.

no ld

- Si l'horloge est configurée le niveau de réception Wi-Fi est affiché:

de 1 à 3 :
(barres
horizontales)

S, G, E

ou

no S,

si le signal Wi-Fi est absent

▼S

▼S

Sortie vers Réglage offset T° ou Redémarrage

Mode « Init » :

En sortie d'usine l'horloge se comporte comme un point d'accès.

Une fois horloge configurée, l'horloge a son point d'accès désactivé.

On peut le réactiver en sélectionnant « Init ».

Pour sortir du mode « Init » et désactiver le point d'accès sélectionner « nor ».

En mode « Init » un appui sur « S » fait sortir du menu tech pour afficher l'heure.

0°0

▼S

0°5

+

9°5

+

-9°5

+

-0°5

+

0°0

Réglage de l'offset de T° (accessible si une sonde T° est connectée)

rStn

▼S

rSty

Redémarrage de la carte si appui sur « SEL » quand « Y » sélectionné

dF n

▼S

dF y

Retour à la configuration usine (actif si «dF Y» est sélectionné)

88:88

▼S

Écran de test (test le bon fonctionnement de toutes les LEDs)

10:12

▼S

« SEL » fait sortir de l'écran de test et du menu

Affichage de l'heure courante

7.2 Menu technicien Style 7D-7E

10:12
FRI
10 APR

▼S+ + Appui sur « SEL » puis « + » pendant plus de 3 secondes

24h

Entrée dans menu « Configuration »

▼S+ + Appui sur « SEL » puis « + » pendant plus de 7 secondes

1R01

Affichage version du logiciel

▼S

ntP

ntPI

Sélection du mode de synchronisation: NTP ou indépendant NTP (ntPI)

▼S

nor

Init

nor

▼S

Mode « nor » :

- Si l'horloge n'est pas configurée le message « no Id » est affiché.

no Id

- Si l'horloge est configurée le niveau de réception Wi-Fi est affiché:

de 1 à 3 :
(barres
horizontales)

5 0 3

ou no Si

si le signal Wi-Fi est absent

▼S

▼S

Sortie vers Réglage offset T° ou Redémarrage

Mode « Init » :

En sortie d'usine l'horloge se comporte comme un point d'accès.

Une fois horloge configurée, l'horloge a son point d'accès désactivé.

On peut le réactiver en sélectionnant « Init ».

Pour sortir du mode « Init » et désactiver le point d'accès sélectionner « nor ».

En mode « Init » un appui sur « S » fait sortir du menu tech pour afficher l'heure.

0 00

0 05

9 05

-9 05

-0 05

Réglage de l'offset de T°
(accessible si une sonde T°
est connectée)

▼S

r5 En

r5 LY

Redémarrage de la carte si appui sur « SEL » quand « Y » sélectionné

▼S

dF n

dF Y

Retour à la configuration usine (actif si «dF Y» est sélectionné)

▼S

88:88
■■■■
88 ■■■■

Ecran de test (test le bon fonctionnement de toutes les LEDs)

▼S

« SEL » fait sortir de l'écran de test et du menu

10:12
FRI
10 APR

Affichage de l'heure courante

7.3 Menu technicien Style 10D-10SD



Maintenir l'appui pendant 3 secondes



Accès au menu configuration



Maintenir l'appui pendant 7 secondes



Version du logiciel



Choix du mode de synchronisation : NTP (défaut) ou NTP indépendant (horloge fonctionne sur sa base de temps interne)



Mode « nor » :

- Si l'horloge n'est pas configurée le message « no ld » est affiché.



- Si l'horloge est configurée le niveau de réception Wi-Fi est affiché:

de 1 à 3 :
(barres
horizontales)



ou



si le signal Wi-Fi est absent



Sortie vers Réglage offset T° ou Redémarrage

Mode « Init » :

En sortie d'usine l'horloge se comporte comme un point d'accès.

Une fois horloge configurée, l'horloge a son point d'accès désactivé.

On peut le réactiver en sélectionnant « Init ».

Pour sortir du mode « Init » et désactiver le point d'accès sélectionner « nor ».

En mode « Init » un appui sur « S » fait sortir du menu tech pour afficher l'heure.



Réglage de l'offset de T° (accessible si une sonde T° est connectée)



Redémarrage de la carte si appui sur « SEL » quand « Y » sélectionné



Retour à la configuration usine (actif si « dF Y » est sélectionné)



Ecran de test (test le bon fonctionnement de toutes les LEDs)



« SEL » fait sortir de l'écran de test et du menu



Affichage de l'heure courante

VIII– Configuration des horloges Wi-Fi

La configuration des horloges Wi-Fi peut être réalisée manuellement en accédant au serveur web de chaque horloge ou automatiquement en utilisant Bodet Detect sur PC portable ou Bodet Detect Mobile pour smartphone Android. Se référer aux manuels Bodet Detect et Bodet Detect Mobile pour une configuration automatique.

CONFIGURATION MANUELLE

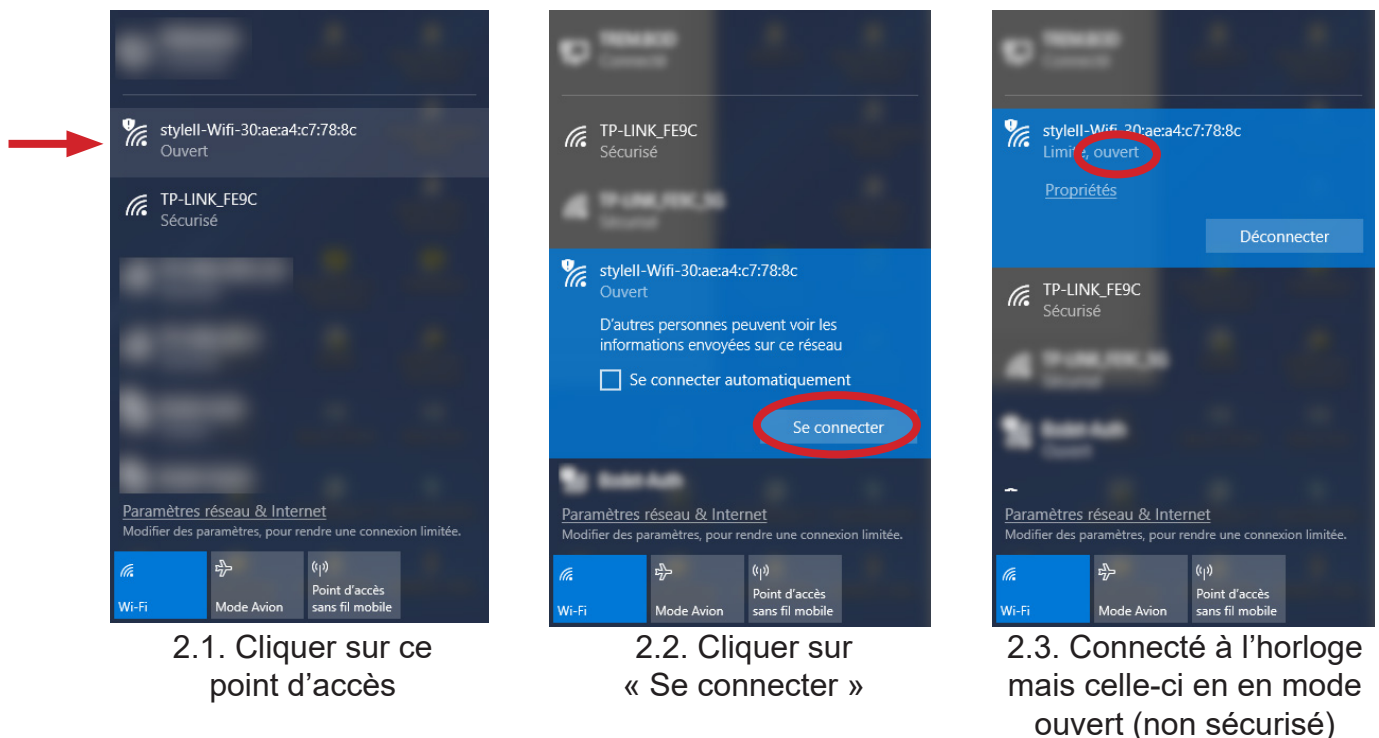
L'accès à l'interface web d'une horloge Wi-Fi et donc à sa configuration se fait de la manière suivante:

- Mettre l'horloge sous tension.

En sortie d'usine l'horloge se comporte comme un Point d'Accès (AP = Access Point) et son adresse IP est toujours 192.168.100.1.

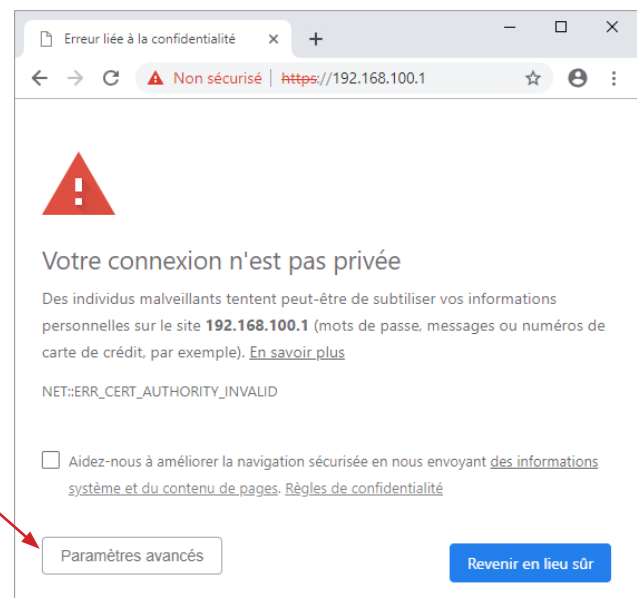
Exemple: Style II 5 Wi-Fi (adresse MAC = 30:ae:a4:c7:78:8c)

- Affichez la liste des réseaux sans fil sur votre PC, l'horloge Style II 5 apparaît

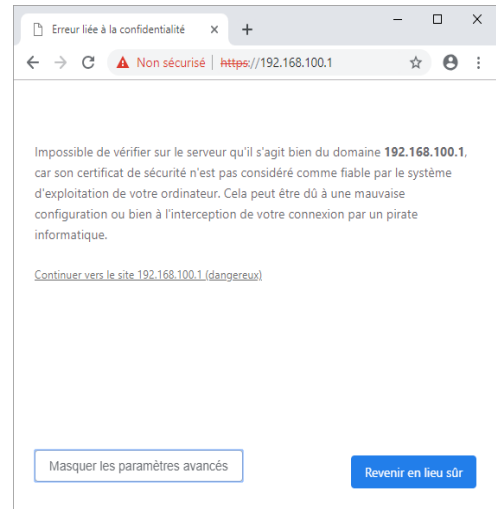


1- Une fois le PC connecté au point d'accès de l'horloge lancer votre navigateur (Google Chrome) et entrer l'adresse 192.168.100.1

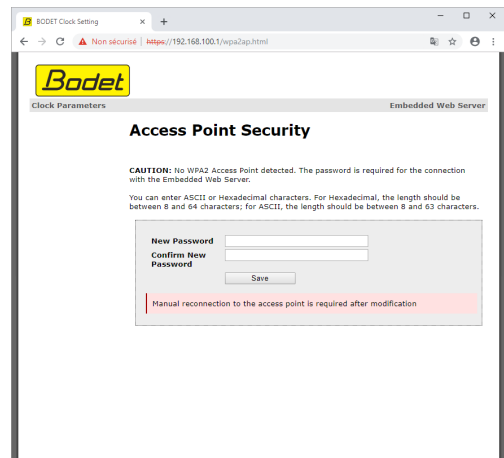
2- Le message suivant s'affiche sur le PC (exemple avec Google Chrome)
Cliquer sur «Paramètres avancés»



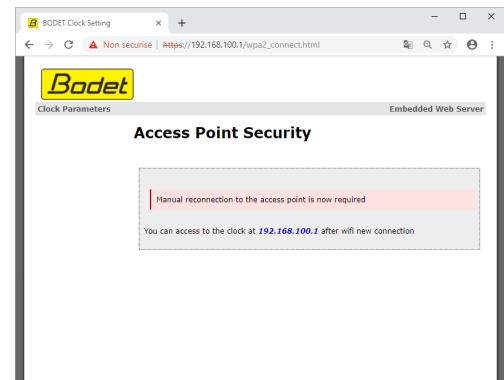
3- Cliquer sur «Continuer...».(Google Chrome)



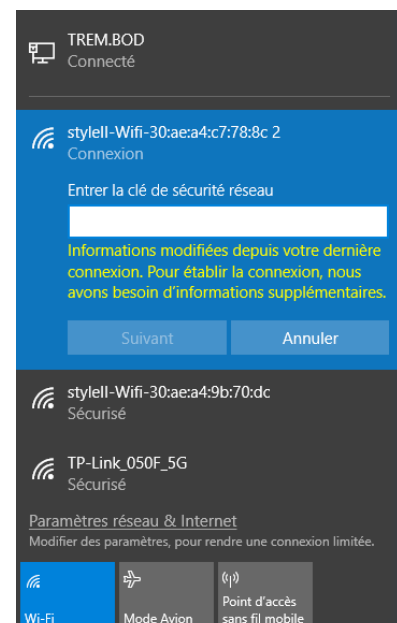
4- Le message suivant invite à entrer et confirmer un mot de passe pour sécuriser l'horloge. Cliquer sur «Save» pour valider



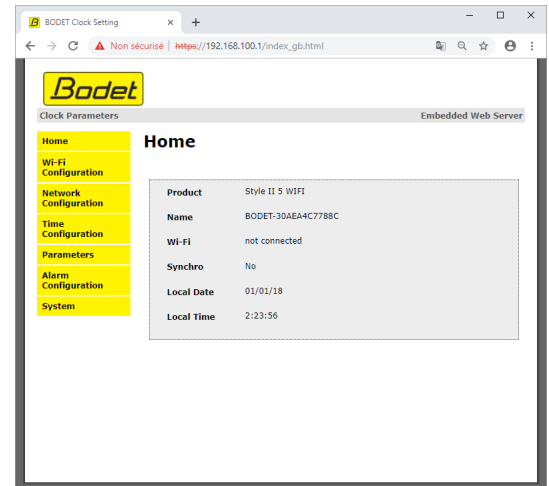
5- En réponse, le message suivant invite à reconnecter le PC au point d'accès de l'horloge.



6- Pour connecter le PC au point d'accès de l'horloge il est nécessaire de saisir le mot de passe entré à l'étape 4.



- 7- Si la connexion est réussie, entrer de nouveau l'adresse ip du point d'accès (192.168.100.1) dans le navigateur. Le serveur web de l'horloge est maintenant accessible et la page d'accueil est affichée sur le PC
 Note: l'horloge n'est pas encore connectée à votre réseau.



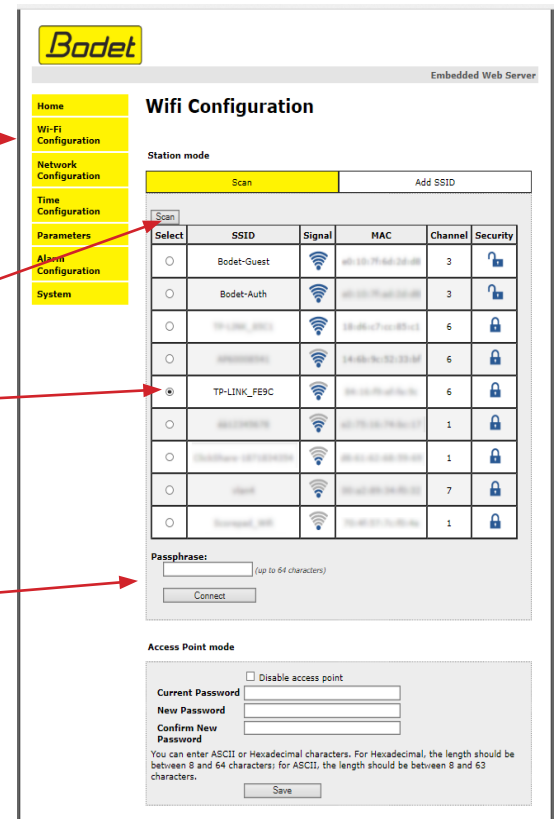
- 8- Pour choisir le réseau ouvrir la page «Wi-Fi Configuration»

Station mode « Scan »

Par défaut la page Wi-Fi Configuration s'ouvre dans le mode « Scan » qui recense automatiquement tous les réseaux Wi-Fi. Cliquer sur «Scan» pour rafraîchir la liste.

Sélectionner le réseau Wi-Fi désiré.
 (Exemple TP-Link_FE9C)

- 9- Saisir le mot de passe associé au SSID et cliquer sur «Connect»



- 10- Une fois la connexion avec le SSID réussie, le message suivant est affiché confirmant la connexion.

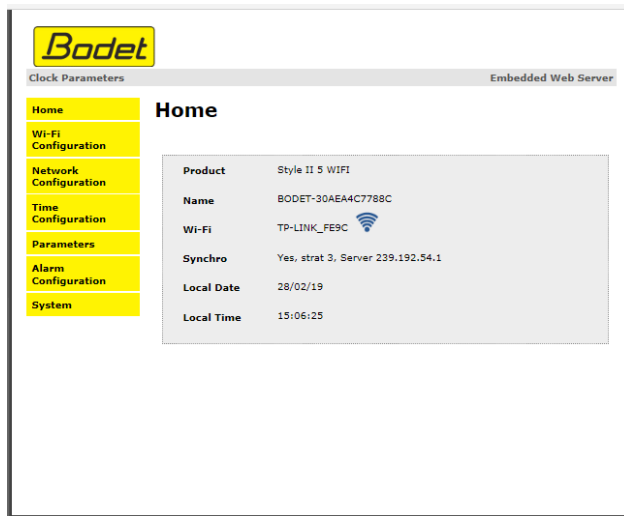
- 11- Pour continuer la configuration de l'horloge soit:
- naviguer sur les pages du serveur web et configurer tous les paramètres.
 - connecter le PC au réseau sans fil et:
 - * cliquer sur «[here](#)»
 - * ou saisir l'adresse IP affichée pour accéder au serveur web de l'horloge.



Cette procédure devra être répétée pour chaque horloge Wi-Fi à configurer

IX– Description du Serveur Web embarqué

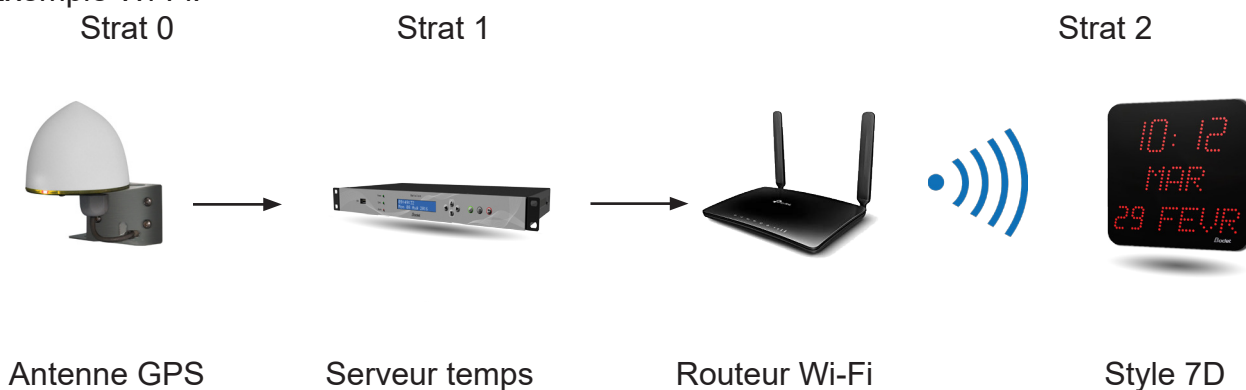
9.1 Page Accueil



La page d'accueil du serveur web d'une horloge synthétise les informations générales de celle-ci. Les informations sont affichées de la façon suivante :

- **Product** : type de produit + SF (Simple Face) ou DF (Double Face) + SUP (Supervisée).
- **Name** : nom donné par l'utilisateur à l'horloge.
- **Wi-Fi** : nom du réseau Wi-Fi auquel l'horloge est connectée
- **Synchro** : état de la synchronisation (Strat 3 indique que l'horloge est à 3 « niveaux » de la source de synchronisation) + adresse IP du serveur sur lequel l'horloge se synchronise.

Exemple Wi-Fi:



- **Local Date** : date du jour.
- **Local Time** : heure du jour.

9.2 Page Configuration Wi-Fi

Bodet Embedded Web Server

Wifi Configuration

Station mode

Scan Add SSID

Scan

| Select | SSID | Signal | MAC | Channel | Security |
|----------------------------------|--------------|--------|-------------------|---------|----------|
| <input type="radio"/> | Bodet-Guest | | 88-10-75-ad-28-88 | 3 | |
| <input type="radio"/> | Bodet-Auth | | 88-10-75-ad-28-88 | 3 | |
| <input type="radio"/> | TP-LINK_88C1 | | 38-88-c7-cc-88-c1 | 6 | |
| <input type="radio"/> | XXXXXXXXXX | | 14-88-9c-32-33-8f | 6 | |
| <input checked="" type="radio"/> | TP-LINK_FE9C | | 88-10-75-ad-28-88 | 6 | |
| <input type="radio"/> | XXXXXXXXXX | | 88-10-75-ad-28-88 | 1 | |
| <input type="radio"/> | XXXXXXXXXX | | 88-10-75-ad-28-88 | 1 | |
| <input type="radio"/> | XXXX | | 88-10-75-ad-28-88 | 7 | |
| <input type="radio"/> | XXXXXXXXXX | | 78-88-33-7a-88-8a | 1 | |

Passphrase: (up to 64 characters)

Connect

Access Point mode

Disable access point

Current Password

New Password

Confirm New Password

You can enter ASCII or Hexadecimal characters. For Hexadecimal, the length should be between 8 and 64 characters; for ASCII, the length should be between 8 and 63 characters.

Save

Cette page est utilisée pour la configuration Wi-Fi.

Station mode Scan (par défaut) liste tous les réseaux Wi-Fi:

- **Select** : boutons radio pour sélectionner le réseau Wi-Fi auquel sera connectée l'horloge.
- **SSID** : liste les noms des réseaux Wi-Fi détectés.
- **Signal** : indique le niveau du signal pour chaque réseau Wi-Fi.
- **MAC** : liste les adresses MAC de chaque réseau Wi-Fi.
- **Channel** : affiche le canal utilisé par le point d'accès Wi-Fi.
- **Security** : indique si le réseau est sécurisé ou pas.

Passphrase : mot de passe à renseigner pour se connecter au SSID sélectionné.

Station mode Add SSID

Ce mode peut être utilisé pour ajouter des réseaux cachés tels que des réseaux entreprise nécessitant des login pour s'y connecter.

4 types de sécurité :

- open
- WEP
- WPA/WPA2 PSK
- WPA2-Enterprise

Possibilité de forcer la connexion en cochant cette case.

Force connection

Si la case est cochée, les paramètres seront sauvegardés que l'horloge réussisse à se connecter ou pas.

Si la case n'est pas cochée, les paramètres seront sauvegardés uniquement en cas de succès de connexion.

Access Point mode:

Dans cette section on peut changer le mot de passe associé au Point d'Accès de l'horloge.

Save

sauvegarde le nouveau mot de passe

Disable access point

Case décochée: en cas de perte de connexion, l'horloge essaie continuellement de se reconnecter. Après une heure l'horloge active son mode Point d'Accès.

Case cochée: le mode Point d'Accès n'est pas activé automatiquement en cas de perte de connexion Wi-Fi. :

9.3 Page Configuration réseau

Bodet

Clock Parameters Embedded Web Server

Home

Network Configuration

Time Configuration

Parameters

Alarm Configuration

System

Network Configuration

This page allows the configuration of the clock's network settings.

CAUTION: Incorrect settings may cause the clock to lose network connectivity.

Enter the new settings below:

| | |
|--------------------|---|
| MAC Address | 00:0B:84:05:1A:A4 |
| Name | STYLE-7-Date-Green |
| | <input checked="" type="checkbox"/> Enable DHCP |
| IP Address | 10.17.10.118 |
| Subnet Mask | 255.255.0.0 |
| Gateway | |
| DNS Address | |

Cette page permet de configurer l'horloge sur le réseau. L'avertissement indique que l'horloge peut perdre la connexion au réseau si les paramètres sont mauvais.

Ci-dessous le descriptif des informations affichées :

- **MAC Address** : il s'agit de l'adresse MAC de l'horloge. Cette adresse est unique pour chaque produit. Ce numéro est indiqué sur une étiquette au dos des horloges Bodet.
- **Name** : nom donné par l'utilisateur à l'horloge.
- Case à cocher **Enable DHCP** : permet de définir automatiquement les paramètres IP du produit sur le réseau.
Si celle-ci est décochée, les paramètres suivants sont accessibles :
- **IP Address** : permet de définir manuellement l'adresse IP du produit. (obligatoire).
- **Subnet Mask** : le masque de sous réseau permet d'associer une horloge au réseau local. (obligatoire).
- **Gateway** : la passerelle permet de relier l'horloge à deux réseaux informatiques.
- **DNS Address** : adresse permettant d'associer un nom de domaine à une adresse IP. Cela permet d'éviter de rentrer une adresse IP dans le navigateur au profit d'un numéro ou appellation définie par l'utilisateur. Exemple : www.bodet.com étant plus simple à retenir que 172.17.10.88.

permet de sauvegarder la configuration et redémarrer l'horloge.

9.4 Page Configuration de l'heure et synchronisation

La page «Time Configuration» est divisée en deux parties. L'une permet de configurer le fuseau horaire et l'autre le mode de synchronisation.

Ci-dessous le descriptif des informations affichées :

- **Time zone** : à l'aide du menu déroulant, il est possible de choisir le fuseau horaire (la gestion de l'heure été/hiver est automatique en fonction de la zone horaire sélectionnée). Il est aussi possible de paramétrer un fuseau horaire non défini par défaut dans le menu déroulant («PROG»).

Lorsque «PROG» est sélectionné dans le menu déroulant, cette fonction permet de définir le décalage par rapport à l'heure GMT pour les changements de saisons :

- **NTP Mode** : permet de choisir parmi trois types de mode :
 - o **Unicast** : Dans Address IP1, renseigner l'adresse IP du serveur NTP. Dans ce cas, c'est l'horloge qui interroge le serveur NTP.
De plus, il existe la possibilité d'effectuer une redondance (si le 1er serveur ne répond pas le deuxième est interrogé...etc.), c'est pour cela qu'il est possible de saisir jusqu'à 5 adresses de serveur (Address IP 1/2/3/4/5).
La case «Periodicity» permet de régler la fréquence à laquelle l'horloge interroge les serveurs NTP configurés.
 - o **Multicast** : Dans ce cas, c'est le serveur NTP qui diffuse l'heure sur l'adresse de type multicast qui lui a été renseigné. L'adresse multicast des clients doit être identique à celle renseigné sur le serveur.
Par défaut les produits Bodet émettent et reçoivent sur l'adresse multicast :239.192.54.1
Les adresses multicast sont comprises entre 224.0.0.0 et 239.255.255.255.
 - o **By DHCP** : Idem mode unicast sauf que les adresses des serveurs NTP sont récupérées automatiquement via le serveur DHCP (configuration de l'option 42 sur le serveur DHCP).

La case à cocher «continue to display» permet de définir le comportement de l'horloge après une perte de synchronisation NTP pendant 48h :

- En mode « continue to display » sur OFF, l'horloge passe au noir avec les deux points fixes.
- En mode « continue to display » sur ON , l'horloge continue de fonctionner sur sa base de temps avec l'arrêt du clignotement des deux points «:».

Save

permet de sauvegarder les configurations effectuées.

9.5 Page Paramétrage

Cette page permet de paramétrer l'affichage de l'horloge sur le réseau.

Ci-dessous le descriptif des informations affichées :

- **Luminosity** : permet de régler la luminosité de l'horloge parmi 4 niveaux de 1 (faible) à 4 (élevé). Par défaut la luminosité est fixée à 3.
- **Mode 12H/24H** : permet d'afficher l'heure en mode 12H ou 24H.
Exemple : 8h00 (en mode 12H) ou 20h00 (en mode 24H).
- **Eco Mode**: permet d'activer le mode économie d'énergie de l'horloge. En mode Eco, l'horloge affiche deux points clignotant et est paramétrée en luminosité minimum (niveau 1). Ce mode est défini sur une plage horaire configurée ci-après (ON & OFF Time). Ce mode devient inactif lorsque l'utilisateur entre dans le menu de configuration (à l'aide des touches «S» et «+») ou modifie les paramètres dans le serveur web ou lorsqu'un redémarrage est effectué.
- **ON & OFF Time** : permet de définir la plage horaire d'activation du mode Eco. L'activation de ce mode fonctionne uniquement au changement d'état. Exemple: à 8h30, si le mode Eco est paramétré à 8h00 (jour J), l'horloge basculera dans ce mode à 8h00 le jour suivant (J+1).
- **Language** : paramètre disponible uniquement sur Style 7D, 10D et 10SD. Ce paramètre permet d'afficher la langue par défaut des horloges Style 7D, 10D et 10SD. Deux menus déroulants sont disponibles afin de paramétrer une alternance des langues.
- **Central Display** : paramètre disponible uniquement sur Style 7D. Ce paramètre permet de choisir l'information qui sera affichée sur la ligne centrale. Il est possible d'afficher l'alternance du numéro de la semaine et l'information centrale sélectionnée.

Save

permet de sauvegarder les configurations effectuées.

9.6 Page Configuration des alarmes

Bodet
Clock Parameters Embedded Web Server

Alarm Configuration

Enable SNMP
Version V1 V2C
Community

Enable SNMP Trap
SNMP Manager 1
SNMP Manager 2
SNMP Manager 3

| Enable Alarms | Parameters |
|---|---|
| <input checked="" type="checkbox"/> Synchronisation failure ⚠ | |
| <input checked="" type="checkbox"/> Reboot ℹ | |
| <input checked="" type="checkbox"/> Temperature ⚠ | Thresholds <input type="text" value="-5"/> °C <input type="text" value="+55"/> °C |
| <input checked="" type="checkbox"/> Manipulation ⚠ | |
| <input checked="" type="checkbox"/> Server access ⚠ | |
| <input checked="" type="checkbox"/> Authentication failure ⚠ | |
| <input checked="" type="checkbox"/> Periodic Status ℹ | Period (h) <input type="text" value="24"/> |
| <input checked="" type="checkbox"/> Low Wifi Signal ⚠ | |
| <input checked="" type="checkbox"/> Long Disconnection ⚠ | Duration (d) <input type="text" value="5"/> |

ℹ Information
⚠ Warning
⚠ Critic

Cette page permet d'activer la supervision de l'horloge, de définir les informations qui seront transmises et le serveur de destination. Il est possible de sélectionner le ou les paramètres à définir comme alarmes et de les configurer.

Ci-dessous le descriptif des informations affichées :

- **Case à cocher Enable SNMP** : active le service réseau SNMP pour la supervision du produit depuis un PC de contrôle.
- **Community** : parc ou domaine d'horloges défini par l'utilisateur. Il est indispensable de donner à toutes les horloges du réseau le même nom de «Community».
- **Case à cocher Enable SNMP Trap** : permet l'activation (ou non) de l'envoi automatique des messages d'erreurs au(x) SNMP Manager(s).
- **SNMP Manager 1/2/3** : adresses IP des serveurs recevant les alarmes des horloges. La redondance des SNMP Manager permet d'augmenter la fiabilité des retours d'alarmes.
- **Synchronisation failure** : ce paramètre permet de détecter les défauts de synchronisation avec l'horloge mère (type Sigma) or the time server (type Netsilon).
 - Multicast: alarme si absence de synchronisation multicast depuis plus d'une heure.
 - Unicast: alarme si synchronisation unicast absente depuis 3 fois la durée du périodicité et une heure minimum (permet la maintenance du serveur)
- **Reboot** : ce paramètre permet de détecter le redémarrage de l'horloge.
- **Temperature** : ce paramètre permet de signaler un dépassement haut ou bas d'une température (plage de températures variable).
- **Manipulation** : ce paramètre permet de déclencher une alarme lorsqu'un paramètre est modifié manuellement sur l'horloge (à l'aide des boutons «S» et «+»).
- **Server access** : ce paramètre permet de déclencher une alarme lorsqu'un utilisateur se connecte au serveur web de l'horloge.

- **Authentication failure** : ce paramètre permet de déclencher une alarme lorsqu'un utilisateur effectue une identification erronée du serveur web de l'horloge.
- **Periodic Status** : ce paramètre permet de vérifier que le produit est toujours en bon état de fonctionnement (cas où les alarmes seraient «perdues»). Cette vérification peut donc être effectuée sur un cycle horaire.
- **Low Wi-Fi signal** : indique que le signal Wi-Fi est présent mais faible.
- **Long disconnection** : perte du réseau Wi-Fi pendant plusieurs jours. L'alarme est déclenchée quand le réseau redevient disponible.



Information : les informations remontées sont **mineurs** et ne nécessitent pas expressément la visite d'un technicien de maintenance pour corriger le défaut.



Warning : les erreurs ou défauts remontés sont **importants** et nécessitent la visite d'un technicien de maintenance pour corriger le défaut.



Critic : les erreurs ou défauts remontés sont **graves** et nécessitent rapidement la visite d'un technicien de maintenance pour corriger le défaut.

Save

permet de sauvegarder les configurations effectuées.

Send status trap

permet d'envoyer un trap status à l'ensemble des SNMP managers configurés afin de vérifier le bon paramétrage de la supervision.

9.7 Page Système et protection

Cette page est divisée en cinq parties qui sont les suivantes :

Info : présentation de la version du programme (logiciel), la durée depuis la mise sous tension de l'horloge et la date de fabrication du produit (année/semaine).

Sécurité : un message de prévention indique qu'une fois défini, il est obligatoire d'utiliser le bon mot de passe pour établir la connexion avec le serveur web. Pour enregistrer un nom d'utilisateur et un mot de passe, saisir les informations dans les espaces prévus à ces effets. permet d'enregistrer votre nouvel identifiant et mot de passe. La case « Enable https » est cochée par défaut garantissant le chiffrement des données.

Reboot : le message de prévention indique que le redémarrage de l'horloge va causer la perte de connexion au réseau le temps du redémarrage. Le bouton redémarre l'horloge.

Config usine : le message de prévention indique que le redémarrage en configuration usine supprimera toutes vos configurations et peut être la perte de connexion au réseau de l'horloge, en l'absence d'un serveur DHCP sur le réseau. Le bouton redémarre l'horloge en configuration usine.

Firmware : Le bouton permet de sélectionner le fichier de mise à jour du firmware.

Le bouton lance le processus.

X – Caractéristiques techniques

10.1 Modèles Wi-Fi

- Etat de la synchronisation : clignotement des deux points lorsque l'horloge est synchronisée. Points fixes puis mise au noir dans le cas d'une horloge non synchronisée.
- Alimentation : 100-240 VAC
- Précision : +/- 0,1s avec changement d'heure été/hiver automatique.
- Température de fonctionnement : de -5°C à +55°C.
- Indice de protection : IP30, IK02
- Conformité aux Normes : EN62368-1, EN 55022 et EN 55024.

Consommation:

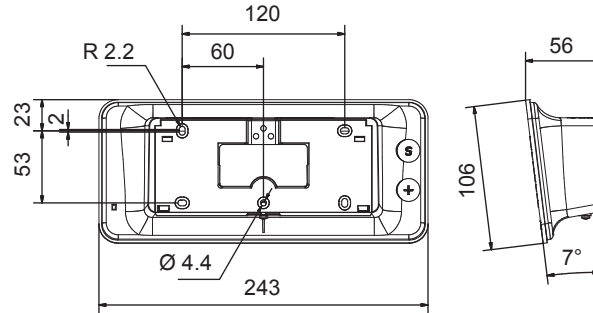
| | | Alimentation | Toutes couleurs LEDs |
|---|------------------|--------------|----------------------|
| Style 5-Style 5S | Réceptrice Wi-Fi | 100-240 VAC | 250-150 mA |
| Style 7 - Style 7E - Style 7D- Style 7S | Réceptrice Wi-Fi | 100-240 VAC | |
| Style 10 - Style 10S | Réceptrice Wi-Fi | 100- 40 VAC | |
| Style 10D Style 10SD | Réceptrice Wi-Fi | 100-240 VAC | 350-200 mA |

Les horloges de la gamme Style respectent la directive compatibilité électromagnétique 2014/30/UE et la directive basse tension 2014/35/UE et RED 2014/53/UE Ce sont des produits de classe 2. Dans un environnement domestique, ces produits peuvent causer des interférences radios auquel cas l'utilisateur doit prendre des mesures adéquates. Elles sont destinées à un environnement résidentiel, commercial ou industrie légère. Elles sont conformes aux normes européennes en vigueur.

10.2 Dimensions des horloges

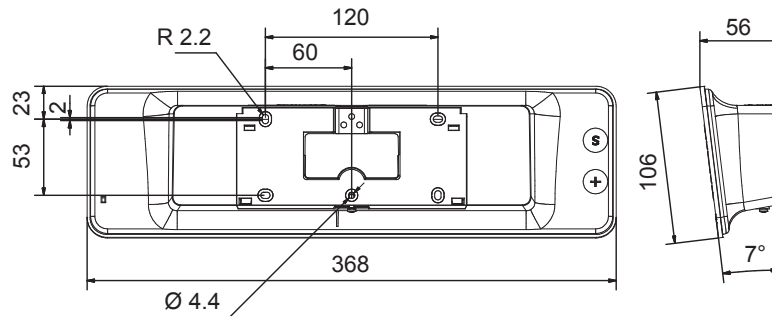
Style 5

– Poids : 0,25 Kg



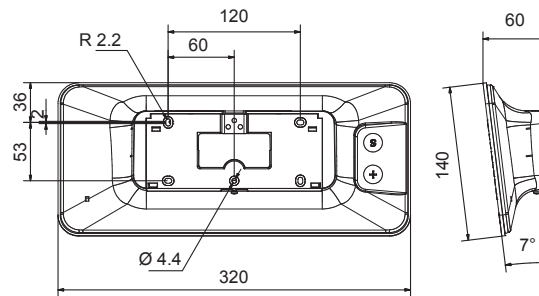
Style 5S

– Poids : 0,37 Kg



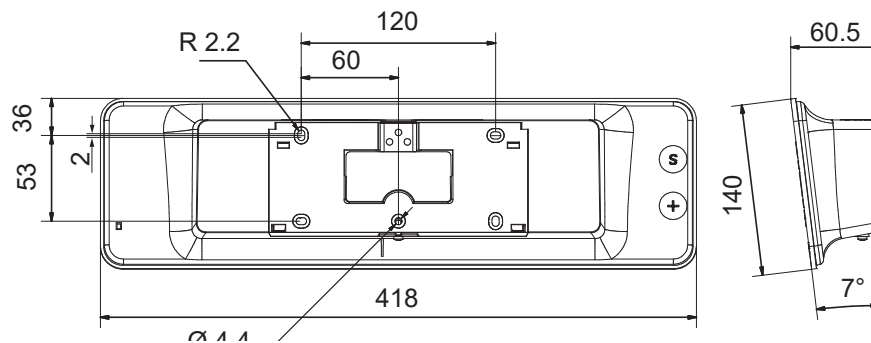
Style 7

– Poids : 0,4 Kg



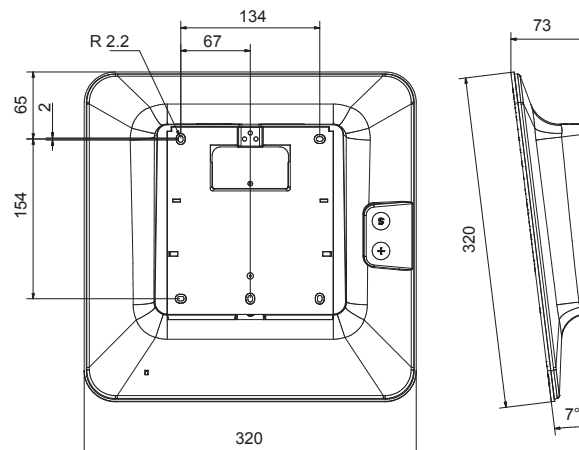
Style 7S

– Poids : 0.6 kg



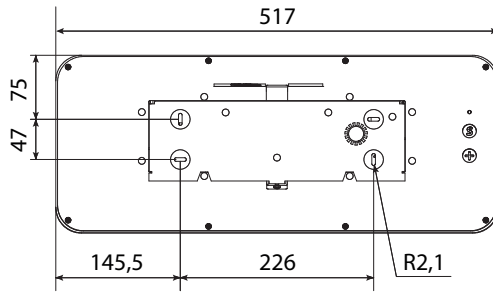
Style 7D & Style 7E

– Poids : 0,965 Kg

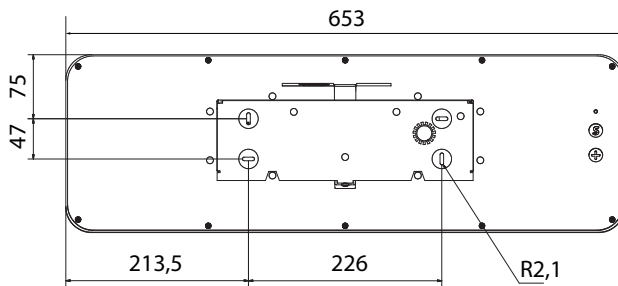


Style 10

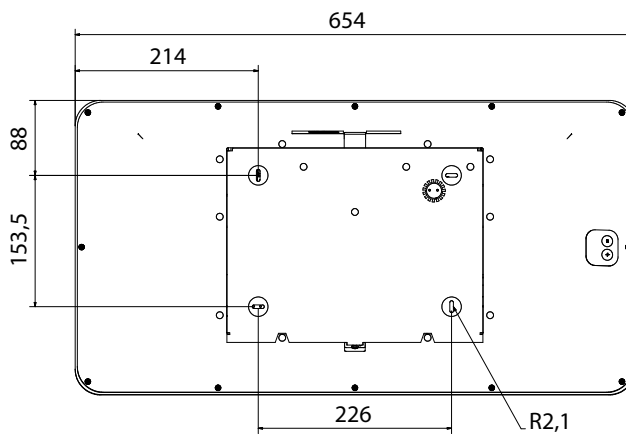
– Poids : 1,8 Kg

**Style 10S**

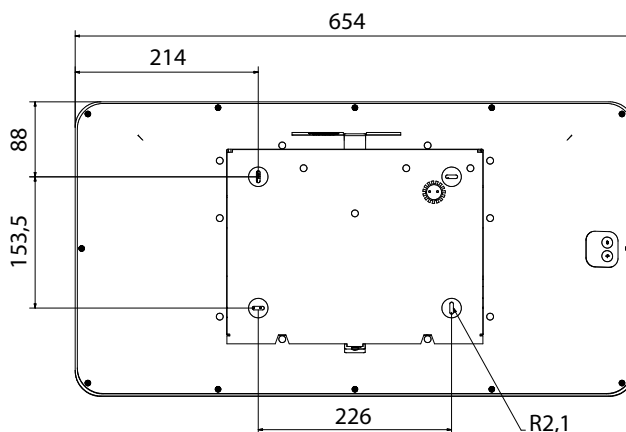
– Poids : 2,8 Kg

**Style 10D**

– Poids : 4 Kg

**Style 10SD**

– Poids : 4 Kg



XI – Que faire si...? ...Vérifier.

| Que faire si...? | ...Vérifier que |
|--|--|
| Pas de synchronisation après l'installation | 1) Le type de signal émis par l'horloge mère est de même type que celui de l'horloge. 2) Le serveur NTP est sur le même réseau que la réceptrice (adresses IP, masque de sous réseau et Passerelles). 3) Le Wi-Fi est bien connecté. |
| La réceptrice NTP n'est pas à la bonne heure | 1) Le fuseau horaire sélectionné sur le serveur web est correct. 2) Le serveur horaire est bien synchronisé. |
| Il n'y a pas de serveur DHCP sur le réseau | 1) La configuration réseau prise par défaut par l'horloge est la suivante : – IP : plage d'adresses de 169.254.0.1 à 169.254.255.254 – MASK : 255.255.0.0 – PASSERELLE : 0.0.0.0 – DNS : 0.0.0.0 |
| Perte de connection Wi-Fi | 1) Les paramètres Wi-Fi n'ont pas changés (SSID, passphrase... pour cela contacter l'administrateur éseau) Redémarrer l'horloge (Rst Y dans menu technicien) |

XII - Annexe

Changement d'heure en fonction du fuseau horaire

| | Décalage UTC | | Hiver/été | | Été/hiver | |
|---------------|--------------|----|---------------------------|--------------|---------------------------|--------------|
| | HH | MM | Date | Heure | Date | Heure |
| ZH_HAWAI | -10 | 00 | Non applicable | | Non applicable | |
| ZH_L_ANGELES | -8 | 00 | 2e Dimanche Mars | 2:00 Locale | 1e Dimanche Novembre | 2:00 Locale |
| ZH_COLORADO | -7 | 00 | 2e Dimanche Mars | 2:00 Locale | 1e Dimanche Novembre | 2:00 Locale |
| ZH_CHICAGO | -6 | 00 | 2e Dimanche Mars | 2:00 Locale | 1e Dimanche Novembre | 2:00 Locale |
| ZH_NEW_YORK | -5 | 00 | 2e Dimanche Mars | 2:00 Locale | 1e Dimanche Novembre | 2:00 Locale |
| ZH_SANTIAGO | -4 | 00 | 2e Dimanche Avril | 23:59 Locale | 1e Dimanche Novembre | 23:59 Locale |
| ZH_ACORES | -1 | 00 | Dernier Dimanche Mars | 0:00 Locale | Dernier Dimanche Octobre | 1:00 Locale |
| ZH_LONDRES | 0 | 00 | Dernier Dimanche Mars | 1:00 Locale | Dernier Dimanche Octobre | 2:00 Locale |
| ZH_PARIS | 1 | 00 | Dernier Dimanche Mars | 2:00 Locale | Dernier Dimanche Octobre | 3:00 Locale |
| ZH_HELSINKI | 2 | 00 | Dernier Dimanche Mars | 3:00 Locale | Dernier Dimanche Octobre | 4:00 Locale |
| ZH_MOSCOU | 3 | 00 | Heure d'été toute l'année | | Heure d'été toute l'année | |
| ZH_ABU_DHABI | 4 | 00 | Non applicable | | Non applicable | |
| ZH_CALCUTTA | 5 | 30 | Non applicable | | Non applicable | |
| ZH_BANGKOK | 7 | 00 | Non applicable | | Non applicable | |
| ZH_SINGAPOUR | 8 | 00 | Non applicable | | Non applicable | |
| ZH_TOKYO | 9 | 00 | Non applicable | | Non applicable | |
| ZH_ADELAIDE | 9 | 30 | Dernier Dimanche Octobre | 2:00 Locale | Dernier Dimanche Avril | 4:00 Locale |
| ZH_SYDNEY | 10 | 00 | 1e Dimanche Octobre | 2:00 Locale | 1e Dimanche Avril | 3:00 Locale |
| ZH_NOUMEA | 11 | 00 | Non applicable | | Non applicable | |
| ZH_MARTINIQUE | -4 | 00 | Non applicable | | Non applicable | |
| ZH_GUYANE | -3 | 00 | Non applicable | | Non applicable | |
| ZH_REUNION | 4 | 00 | Non applicable | | Non applicable | |
| ZH_PROG | Programmable | | Programmable | 2:00 Locale | Programmable | 3:00 Locale |