



Fiche produit

Article n° 92.297.2063.7

assemblage de câbles GST18i3KSB- 15H 20GN07

GST18i3 câble de rallonge femelle - extrémité libre, longueur 2.0 m, 3 pôle, codification selon les exigences du client avec PE, 16 A, couleur de codage vert, couleur du soulagement de traction noir, couleur du câble noir, échantillon représentatif 1.5 mm², type de câble H05Z1Z1-F, classe Feu: Eca



Article n°	92.297.2063.7
EAN	4049088278594
Unité de commande	30 Piece(s)

certificats/approbations

Dessin technique

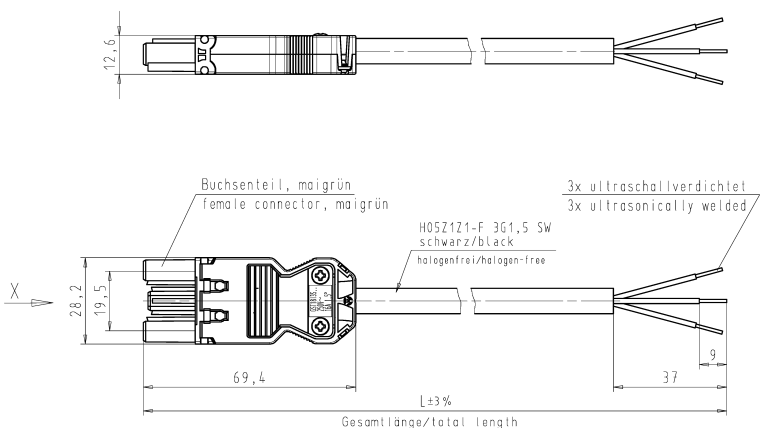
These dimensions will be reported in the event of delivery

These dimensions will be reported in the event of delivery

These dimensions will be reported in the event of delivery

These dimensions will be reported in the event of delivery

These dimensions will be reported in the event of delivery



Buchse, maigrün
female connector, maigrün

H05Z121-F 3G1.5 SW
schwarz/black
halogenfrei/halogen-free

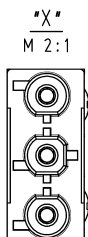
3x ultraschallverdichtet
3x ultrasonically welded

Gesamtlänge/Total length


2/N = blau/blue

⊕ = grün-gelb
green-yellow

1 = braun/brown



X
M 2:1

Teile-Nr. part-no.	L	Beispiel (Farbe: maigrün) example (colour: may green)	Typ type
92.297.XX63.7	XX in dm-Schritten	92.297.1063.7 = 10dm/L= 1000mm	GST1813KSB- 15H 10GN07
U2.297.XX63.7	XX in m-Schritten	U2.297.1263.7 = 12 m/L=12000mm	GST1813KSB- 15H X12GN07
Weitere Daten siehe KATALOG oder eCatalog.		www.wieland-electric.com eshop.wieland-electric.com	
<small>Toleranzsystem Size ISO 14406/Tolerance system Size ISO 14406 (This ISO-standard describes the envelope principle. According to the envelope principle the deviations of form and parallelism are limited by the size tolerances.) Material: Werkstoff/Material: 2014 Tag/Date: 13.08. 01/tech T Name: Zeichnung Nr./Drawing No. Maßstab/Scale: 1:1 Blatt/Sheet: 1 von 1 Index: 92.297.0263.7 01K Made in mm/dimensions are in mm</small>			
 PRE-ASSEMBLED CABLE KONFEKT LEITUNG Buchse-fr. Ende Schraubausführung/screw connection 250V AC 16A 1,5mm halogen-free			