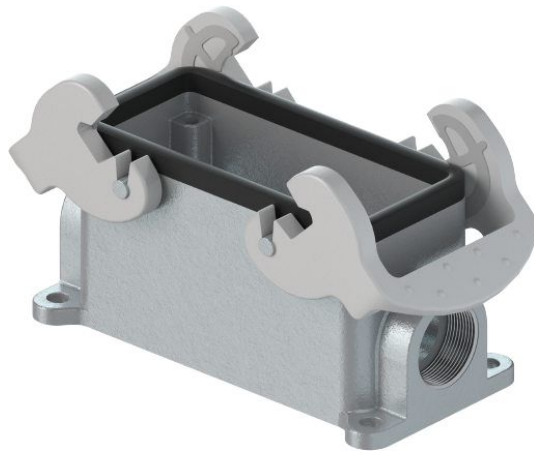


Fiche produit

Article n° 70.330.2435.1

Bas BAS GUT GB 24 M25 A1



| | |
|-------------------|---------------|
| Article n° | 70.330.2435.1 |
| EAN | 4015573599536 |
| Unité de commande | 1 Piece(s) |

certificats/approbations



Données techniques

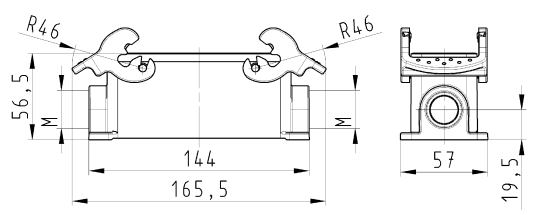
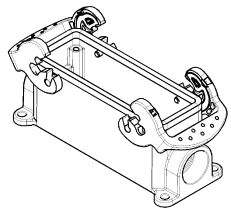

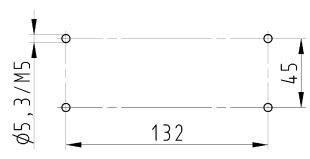



général

| | |
|---|---------------------------|
| matière du boîtier | aluminium |
| Couleur | gris |
| Surface | Avec revêtement en poudre |
| Degré de protection (IP) | Autre |
| Résistant aux UV | Oui |
| classe d'inflammabilité des matériaux d'isolation selon la norme UL94 | Autre |
| Température de fonctionnement min. | -40 °C |
| Portée max de température. | 120 °C |

Model

| | |
|---------------------------|-------------------------------|
| DIN-taille | 24 |
| Model | Surface de montage (base) |
| Mecanisme de verrouillage | Double levier de verrouillage |
| entrée de câble | double face |
| Type de câble | fil |
| Avec presse-étoupe | Aucun |
| Taille du filetage M | 25 |
| Taille du filetage PG | |
| Le couvercle à charnière | Aucun |
| EMC-version | Aucun |
| Longueur | 144 mm |
| largeur | 57 mm |
| hauteur | 57 mm |

Dessin technique

| These dimensions will be reported, rounded off, on parts of which a tolerance is specified. Diese Abmessungen werden auf den Zeichnungen angegeben. Diese Abmessungen werden auf den Zeichnungen angegeben. |  | |  | | | | | | | | | | | | | | | | | | | | | | | | | | | | | | | | | | | | | | |
|---|---|---|--|-------|-----------|---|-----------------------|--|-------------------------------------|----------------------------------|---|--|---------------------------|---|--------------------|----------------------|---------------------------------|---|-----------|-----|--|------------|--------------------|--|--|--|-----|--|--|--|---------------------------------|--|--|--|--|--|--|--|--|--|--|
| Varianten/Variants .0  | | | | | | | | | | | | | | | | | | | | | | | | | | | | | | | | | | | | | | | | | |
| <table border="1" style="width: 100%; border-collapse: collapse; font-size: 8px;"> <tr> <td style="width: 15%;">70.330.2435.1</td> <td style="width: 15%;">BAS GUT GB 24 M25 A 1</td> <td style="width: 30%;">Gewindebohrung / Thread hole</td> <td style="width: 10%; text-align: center;"><input checked="" type="checkbox"/></td> </tr> <tr> <td>70.330.2435.0</td> <td>BAS GUT GB 24 M25 A 0</td> <td>Kabelverschraubung/KVI, IP54 montiert / Cable gland (CG), IP54 assembled</td> <td style="text-align: center;"><input type="checkbox"/></td> </tr> <tr> <td>Bestellnummer / Order number</td> <td>Typ / Type</td> <td>Varianten / Variants</td> <td>Art. part no. / Article</td> </tr> <tr> <td colspan="3"> Weitere Daten siehe KATALOG oder eCatalog. </td> <td style="text-align: right;"> www.wieland-electric.com eshop.wieland-electric.com </td> </tr> </table> | | | | | | 70.330.2435.1 | BAS GUT GB 24 M25 A 1 | Gewindebohrung / Thread hole | <input checked="" type="checkbox"/> | 70.330.2435.0 | BAS GUT GB 24 M25 A 0 | Kabelverschraubung/KVI, IP54 montiert / Cable gland (CG), IP54 assembled | <input type="checkbox"/> | Bestellnummer / Order number | Typ / Type | Varianten / Variants | Art. part no. / Article | Weitere Daten siehe KATALOG oder eCatalog. | | | www.wieland-electric.com eshop.wieland-electric.com | | | | | | | | | | | | | | | | | | | | |
| 70.330.2435.1 | BAS GUT GB 24 M25 A 1 | Gewindebohrung / Thread hole | <input checked="" type="checkbox"/> | | | | | | | | | | | | | | | | | | | | | | | | | | | | | | | | | | | | | | |
| 70.330.2435.0 | BAS GUT GB 24 M25 A 0 | Kabelverschraubung/KVI, IP54 montiert / Cable gland (CG), IP54 assembled | <input type="checkbox"/> | | | | | | | | | | | | | | | | | | | | | | | | | | | | | | | | | | | | | | |
| Bestellnummer / Order number | Typ / Type | Varianten / Variants | Art. part no. / Article | | | | | | | | | | | | | | | | | | | | | | | | | | | | | | | | | | | | | | |
| Weitere Daten siehe KATALOG oder eCatalog. | | | www.wieland-electric.com eshop.wieland-electric.com | | | | | | | | | | | | | | | | | | | | | | | | | | | | | | | | | | | | | | |
| Bohrbild / Cut out  | | <table border="1" style="width: 100%; border-collapse: collapse; font-size: 8px;"> <tr> <td colspan="2"> Referencing Size ISO 14063 / Reference system Size ISO 14063 (This ISO-standard describes the envelope principle. According to the envelope principle the deviations of form and position are limited by the size tolerances). </td> <td colspan="2"> (Notes: <input type="checkbox"/> Stückliste- und Bauteilzeichnungen nach DIN EN ISO 10303 (2D) ist anzuwenden. (Contents) with Wieland document 00-1206-00 (List of prohibited / defective tolerances) to be observed) </td> </tr> <tr> <td> Präzisionsnach General tolerance </td> <td> <input type="checkbox"/> Zeichnung, keine manuellen Änderungen <input type="checkbox"/> Drawing, no manual modifications allowed </td> <td> 1. Verwendung First size </td> <td> Zeichnung Nr./Drawing No. </td> </tr> <tr> <td> <table border="1" style="width: 100%; border-collapse: collapse;"> <tr> <th>Werkstoff/Material</th> <th>2015</th> <th>Legende</th> <th>Notiz</th> </tr> <tr> <td>Aluminium</td> <td>Alu</td> <td>01.05</td> <td>Feinrechen</td> </tr> <tr> <td>Beschichtet/coated</td> <td></td> <td></td> <td></td> </tr> <tr> <td>1:2</td> <td></td> <td></td> <td></td> </tr> </table> </td> <td colspan="3" style="text-align: center;"> Made in mm/Dimensions are in mm </td> </tr> <tr> <td colspan="4" style="text-align: center;">  </td> </tr> <tr> <td colspan="2"> Typ / Designation revos BASIC </td> <td colspan="2"> Bezeichnung/Title GEHAUSEUNTERTE IL Baugröße 24-Kabelabgang 2x M25 Housing size 24-cable outlet 2x M25 </td> </tr> </table> | | | | Referencing Size ISO 14063 / Reference system Size ISO 14063 (This ISO-standard describes the envelope principle. According to the envelope principle the deviations of form and position are limited by the size tolerances). | | (Notes: <input type="checkbox"/> Stückliste- und Bauteilzeichnungen nach DIN EN ISO 10303 (2D) ist anzuwenden. (Contents) with Wieland document 00-1206-00 (List of prohibited / defective tolerances) to be observed) | | Präzisionsnach General tolerance | <input type="checkbox"/> Zeichnung, keine manuellen Änderungen <input type="checkbox"/> Drawing, no manual modifications allowed | 1. Verwendung First size | Zeichnung Nr./Drawing No. | <table border="1" style="width: 100%; border-collapse: collapse;"> <tr> <th>Werkstoff/Material</th> <th>2015</th> <th>Legende</th> <th>Notiz</th> </tr> <tr> <td>Aluminium</td> <td>Alu</td> <td>01.05</td> <td>Feinrechen</td> </tr> <tr> <td>Beschichtet/coated</td> <td></td> <td></td> <td></td> </tr> <tr> <td>1:2</td> <td></td> <td></td> <td></td> </tr> </table> | Werkstoff/Material | 2015 | Legende | Notiz | Aluminium | Alu | 01.05 | Feinrechen | Beschichtet/coated | | | | 1:2 | | | | Made in mm/Dimensions are in mm | | |  | | | | Typ / Designation revos BASIC | | Bezeichnung/Title GEHAUSEUNTERTE IL Baugröße 24-Kabelabgang 2x M25 Housing size 24-cable outlet 2x M25 | |
| Referencing Size ISO 14063 / Reference system Size ISO 14063 (This ISO-standard describes the envelope principle. According to the envelope principle the deviations of form and position are limited by the size tolerances). | | (Notes: <input type="checkbox"/> Stückliste- und Bauteilzeichnungen nach DIN EN ISO 10303 (2D) ist anzuwenden. (Contents) with Wieland document 00-1206-00 (List of prohibited / defective tolerances) to be observed) | | | | | | | | | | | | | | | | | | | | | | | | | | | | | | | | | | | | | | | |
| Präzisionsnach General tolerance | <input type="checkbox"/> Zeichnung, keine manuellen Änderungen <input type="checkbox"/> Drawing, no manual modifications allowed | 1. Verwendung First size | Zeichnung Nr./Drawing No. | | | | | | | | | | | | | | | | | | | | | | | | | | | | | | | | | | | | | | |
| <table border="1" style="width: 100%; border-collapse: collapse;"> <tr> <th>Werkstoff/Material</th> <th>2015</th> <th>Legende</th> <th>Notiz</th> </tr> <tr> <td>Aluminium</td> <td>Alu</td> <td>01.05</td> <td>Feinrechen</td> </tr> <tr> <td>Beschichtet/coated</td> <td></td> <td></td> <td></td> </tr> <tr> <td>1:2</td> <td></td> <td></td> <td></td> </tr> </table> | Werkstoff/Material | 2015 | Legende | Notiz | Aluminium | Alu | 01.05 | Feinrechen | Beschichtet/coated | | | | 1:2 | | | | Made in mm/Dimensions are in mm | | | | | | | | | | | | | | | | | | | | | | | | |
| Werkstoff/Material | 2015 | Legende | Notiz | | | | | | | | | | | | | | | | | | | | | | | | | | | | | | | | | | | | | | |
| Aluminium | Alu | 01.05 | Feinrechen | | | | | | | | | | | | | | | | | | | | | | | | | | | | | | | | | | | | | | |
| Beschichtet/coated | | | | | | | | | | | | | | | | | | | | | | | | | | | | | | | | | | | | | | | | | |
| 1:2 | | | | | | | | | | | | | | | | | | | | | | | | | | | | | | | | | | | | | | | | | |
|  | | | | | | | | | | | | | | | | | | | | | | | | | | | | | | | | | | | | | | | | | |
| Typ / Designation revos BASIC | | Bezeichnung/Title GEHAUSEUNTERTE IL Baugröße 24-Kabelabgang 2x M25 Housing size 24-cable outlet 2x M25 | | | | | | | | | | | | | | | | | | | | | | | | | | | | | | | | | | | | | | | |