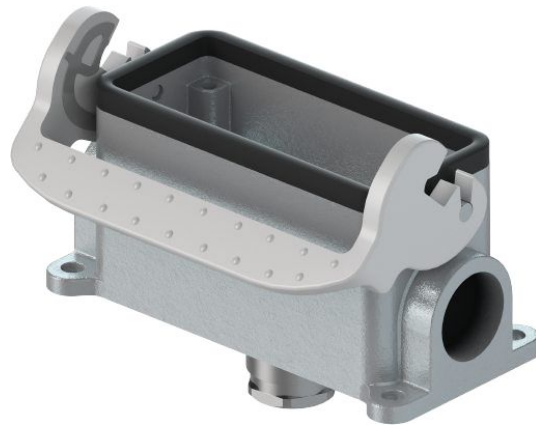


Fiche produit

Article n° 71.333.1635.0

Bas BAS GUT GO 16 M25 A0



Article n°	71.333.1635.0
EAN	4015573621886
Unité de commande	1 Piece(s)

certificats/approbations



Données techniques

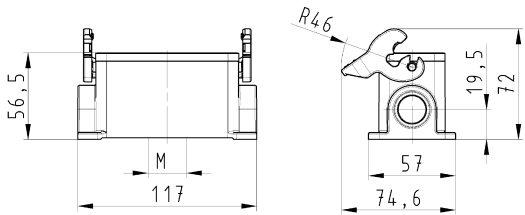
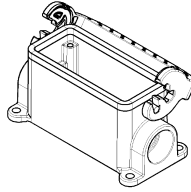
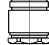
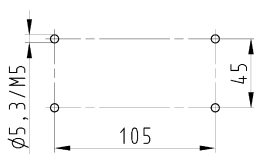



**général**

matière du boîtier	aluminium
Couleur	gris
Surface	Avec revêtement en poudre
Degré de protection (IP)	IP54
Résistant aux UV	Oui
classe d'inflammabilité des matériaux d'isolation selon la norme UL94	Autre
Température de fonctionnement min.	-40 °C
Portée max de température.	120 °C

**Model**

DIN-taille	16
Model	Surface de montage (base)
Mecanisme de verrouillage	Levier de verrouillage unique
entrée de câble	au-dessous
Type de câble	Ecrou presse-étoupe
Avec presse-étoupe	Oui
Taille du filetage M	25
Taille du filetage PG	
Le couvercle à charnière	Aucun
EMC-version	Aucun
Longueur	117 mm
largeur	57 mm
hauteur	57 mm

**Dessin technique**

<p>These dimensions shall be reported, rounded off to 0.1 mm, if they are not already given in the drawing.</p> <p>These dimensions shall be reported, rounded off to 0.1 mm, if they are not already given in the drawing.</p> <p>These dimensions shall be reported, rounded off to 0.1 mm, if they are not already given in the drawing.</p>			<p>These dimensions shall be reported, rounded off to 0.1 mm, if they are not already given in the drawing.</p>																												
<b>Varianten/Variants</b> .0 																															
<b>Bohrbild /Cut out</b> 		<table border="1" style="width:100%; border-collapse: collapse;"> <tr> <td colspan="2">                 Referencing Size ISO 14069-2 / Reference system Size ISO 14069-2                  (This ISO-standard describes the envelope principle. According to the envelope principle the deviations of form and position are limited by the size tolerances).             </td> <td colspan="2">                 (Notes: 1) Start position and delivery position see sect. 08-F08-05.03 (at assembly).                  Contents will Wieland document 08-F08-05.03 (list of prohibited / defective hazardous substances) to be delivered.             </td> </tr> <tr> <td>                 Präzisionsmaß nach                  General tolerance             </td> <td>                 (M) - Zeichnung, keine manuelle Änderungen                  (M) - Drawing, no manual modifications allowed             </td> <td>                 1. Verwendung                  First use:             </td> <td>                 Blatt: 1                  von: 1             </td> </tr> <tr> <td>                 Werkstoff/Material             </td> <td>                 2015                  Kupferblech                  Messing                  Zinn-blech                  Messing                  Zinn-blech             </td> <td>                 Name                  T             </td> <td>                 Zeichnung Nr./Drawing No.                  71.333.1635.0 13K             </td> </tr> <tr> <td colspan="4" style="text-align: center;">                 Made in Germany/Produced in Germany             </td> </tr> <tr> <td colspan="2" style="text-align: center;">  </td> <td colspan="2" style="text-align: center;">                 Type  <b>revos</b>                  BASIC             </td> </tr> <tr> <td colspan="4" style="text-align: center;">                 Name/Title  <b>GEHÄUSEUNTERTE IL</b>                  Baugröße 16-Kabelabgang 1xM25 unten                  Housing size 16-cable outlet 1xM25 Below             </td> </tr> <tr> <td colspan="4" style="text-align: center;">                 Änderung/Revision             </td> </tr> </table>		Referencing Size ISO 14069-2 / Reference system Size ISO 14069-2 (This ISO-standard describes the envelope principle. According to the envelope principle the deviations of form and position are limited by the size tolerances).		(Notes: 1) Start position and delivery position see sect. 08-F08-05.03 (at assembly). Contents will Wieland document 08-F08-05.03 (list of prohibited / defective hazardous substances) to be delivered.		Präzisionsmaß nach General tolerance	(M) - Zeichnung, keine manuelle Änderungen (M) - Drawing, no manual modifications allowed	1. Verwendung First use:	Blatt: 1 von: 1	Werkstoff/Material	2015 Kupferblech Messing Zinn-blech Messing Zinn-blech	Name T	Zeichnung Nr./Drawing No. 71.333.1635.0 13K	Made in Germany/Produced in Germany						Type <b>revos</b> BASIC		Name/Title <b>GEHÄUSEUNTERTE IL</b> Baugröße 16-Kabelabgang 1xM25 unten Housing size 16-cable outlet 1xM25 Below				Änderung/Revision			
Referencing Size ISO 14069-2 / Reference system Size ISO 14069-2 (This ISO-standard describes the envelope principle. According to the envelope principle the deviations of form and position are limited by the size tolerances).		(Notes: 1) Start position and delivery position see sect. 08-F08-05.03 (at assembly). Contents will Wieland document 08-F08-05.03 (list of prohibited / defective hazardous substances) to be delivered.																													
Präzisionsmaß nach General tolerance	(M) - Zeichnung, keine manuelle Änderungen (M) - Drawing, no manual modifications allowed	1. Verwendung First use:	Blatt: 1 von: 1																												
Werkstoff/Material	2015 Kupferblech Messing Zinn-blech Messing Zinn-blech	Name T	Zeichnung Nr./Drawing No. 71.333.1635.0 13K																												
Made in Germany/Produced in Germany																															
		Type <b>revos</b> BASIC																													
Name/Title <b>GEHÄUSEUNTERTE IL</b> Baugröße 16-Kabelabgang 1xM25 unten Housing size 16-cable outlet 1xM25 Below																															
Änderung/Revision																															
Weitere Daten siehe KATALOG oder eCatalog. <a href="http://www.wieland-electric.com">www.wieland-electric.com</a> Additional data see CATALOG or eCatalog. <a href="http://eshop.wieland-electric.com">eshop.wieland-electric.com</a>																															
<table border="1" style="width:100%; border-collapse: collapse;"> <tr> <td>71.333.1635.1</td> <td>BAS GUT GO 16 M25 A 1</td> <td>Gewindebohrung /Thread hole</td> <td style="text-align: center;">X</td> </tr> <tr> <td>71.333.1635.0</td> <td>BAS GUT GO 16 M25 A 0</td> <td>Kabelverschraubung/KVI, IP54 montiert /Cable gland/CG, IP54 assembled</td> <td></td> </tr> <tr> <td>Bestellnummer /Order number</td> <td>Typ /Type</td> <td>Variante(n) /Variant(s)</td> <td>Art. part no. /Article</td> </tr> </table>				71.333.1635.1	BAS GUT GO 16 M25 A 1	Gewindebohrung /Thread hole	X	71.333.1635.0	BAS GUT GO 16 M25 A 0	Kabelverschraubung/KVI, IP54 montiert /Cable gland/CG, IP54 assembled		Bestellnummer /Order number	Typ /Type	Variante(n) /Variant(s)	Art. part no. /Article																
71.333.1635.1	BAS GUT GO 16 M25 A 1	Gewindebohrung /Thread hole	X																												
71.333.1635.0	BAS GUT GO 16 M25 A 0	Kabelverschraubung/KVI, IP54 montiert /Cable gland/CG, IP54 assembled																													
Bestellnummer /Order number	Typ /Type	Variante(n) /Variant(s)	Art. part no. /Article																												