

Fiche produit

Article n° 02.126.6700.8

contact femelle 1,5/16

Article n°	02.126.6700.8
EAN	4049088213304
Unité de commande	100 Piece(s)

certificats/approbations

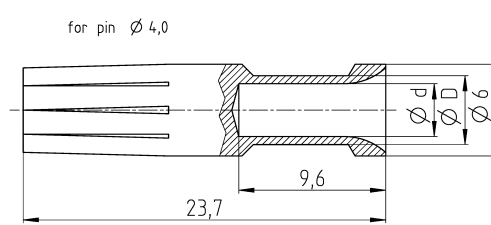
Données techniques

général

Model	raccordement bus
section du conducteur souple Min.	1,5 mm ²
section du conducteur souple Max.	1,5 mm ²
diamètre Min. du câble souple UL/CSA	16 AWG
diamètre Max. du câble souple UL/CSA	16 AWG
Type de connexion	Crimp
matériel	Cuivre
Diamètre du contact	4 mm
Surface	Plaqué argent

Dessin technique

2nd: No drawings will be specific (sheet or delivery)
 3rd: No drawings will be specific (sheet or delivery)
 4th: No drawings will be specific (sheet or delivery)
 5th: No drawings will be specific (sheet or delivery)



zugehöriges Werkzeug/associated tool
 Crimpbacken/crimp die "H": 05.502.5000.0
 Kontaktaufnahmel/contact positioner "G": 05.502.5200.0

VPE: 100
 packing unit: 100

Bestell-Nr. order - no.	Querschnitt cross section mm ²	AWG	d	D	Oberfläche surface
02.126.6700.7	1,5	16	1,75	3,0	vergoldet gold-plated
02.126.6700.8					versilbert silver-plated
02.126.6800.7	2,5	14	2,25	3,5	vergoldet gold-plated
02.126.6800.8					versilbert silver-plated
02.126.6900.7	4,0	12	2,85	3,9	vergoldet gold-plated
02.126.6900.8					versilbert silver-plated
02.126.7000.7	6,0	10	3,5	5,0	vergoldet gold-plated
02.126.7000.8					versilbert silver-plated

Weitere Daten siehe KATALOG oder eKatalog
 additional data see CATALOG or eCATALOG


www.wieland-electric.com
 eshop.wieland-electric.com

Tolerierung Size ISO 14405 © / Tolerance system Size ISO 14405 © / jstyes Stoffverfalls- und Deklarationsliste nach VW 54000/010 ist einzuhalten
 (This ISO-standard describes the envelope principle. According to the envelope principle the deviations of form and position are limited by the size tolerances) (Conformity with Wieland document VW 54000/010 = list of prohibited / degradable hazardous substances) to be declared)

Freitoleranz nach General tolerance DIN ISO 2768 - m AD - Zeichnung, keine manuellen Änderungen Verwendung Blatt: 4 von 1
 (AD - drawing, no manual modifications allowed) (first use) Sheet: 4 of 1

Werkstoff / Material	Reg/Dat	Name	Zeichnung Nr. / Drawing No.	Index
	21.04.2020	Dutsch	T 02.126.6700.7 13K	-

Maße in mm / Dimensions are in mm


BUCHSENKONTAKT
 Crimpanschluss
 FEMALE CONTACT - crimp connection