

Fiche produit

Article n° Z5.504.6519.0

Passage de câble pour vis PG21 VA 7,2 13,0-18,0



Article n°	Z5.504.6519.0
EAN	4049088386473
Unité de commande	10 Piece(s)

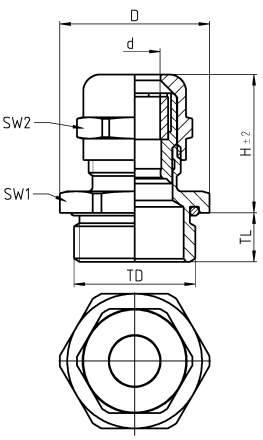



certificats/approbations

Données techniques

général

longueur du filetage	7,2 mm
diamètre Min. du câble	13 mm
diamètre Max. du câble	18 mm
Degré de protection (IP)	IP68
matériel	acier inoxydable V2A
Couleur	Autre
Résistant aux chocs	Oui
Protection du rayon de courbure / manchon d'arrondi	Aucun
Support de traversé avec serre-câble	Aucun
Type de scellement	anneau caoutchouc-/neoprene
presse étoupe détachable	Aucun
Zone multi-joint	Aucun
Type de filetage	Métrique
Sans halogène	Oui
classe d'inflammabilité des matériaux d'isolation selon la norme UL94	Autre

Dessin technique

<p>A</p> <p>B</p> <p>C</p> <p>D</p> <p>E</p> <p>F</p>		<table border="1" style="width: 100%; border-collapse: collapse;"> <thead> <tr> <th>Wieland Teilenummer part number</th> <th>Gewinde Verschraubung thread type of fitting</th> <th>Gewinde Schraubkappe thread type of cap</th> <th>Klemmbereich clamping range Ø min-max mm</th> <th>Gewinde-Ø thread-Ø TD mm</th> <th>Gewindelänge thread length TL mm</th> <th>Höhe ohne Gewinde height without thread H mm</th> <th>Verschraubung fitting SW1 mm</th> <th>Schraubkappe cap SW2 mm</th> <th>Außen-Ø outer-Ø D mm max.</th> <th>Innen-Ø inner-Ø D mm min.</th> </tr> </thead> <tbody> <tr><td>Z5.504.6019.0</td><td>PG7</td><td>PG7</td><td>3,0-6,5</td><td>12,5</td><td>6</td><td>22</td><td>14</td><td>14</td><td>15,5</td><td>Ø10,4</td></tr> <tr><td>Z5.504.6119.0</td><td>PG9</td><td>PG9</td><td>4,0-8,0</td><td>15,2</td><td>6</td><td>22,7</td><td>19</td><td>17</td><td>21</td><td>Ø12,4</td></tr> <tr><td>Z5.504.6219.0</td><td>PG11</td><td>PG11</td><td>5,0-10,0</td><td>18,6</td><td>6</td><td>25,5</td><td>22</td><td>22</td><td>24</td><td>Ø14,4</td></tr> <tr><td>Z5.504.6319.0</td><td>PG13,5</td><td>PG13,5</td><td>6,0-12,0</td><td>20,4</td><td>6,5</td><td>24</td><td>22</td><td>22</td><td>24,5</td><td>Ø12,4</td></tr> <tr><td>Z5.504.6419.0</td><td>PG16</td><td>PG16</td><td>10,0-14,0</td><td>22,5</td><td>6,5</td><td>28</td><td>24</td><td>24</td><td>26,5</td><td>Ø14,4</td></tr> <tr><td>Z5.504.6519.0</td><td>PG21</td><td>PG21</td><td>13,0-18,0</td><td>28,3</td><td>7,2</td><td>32</td><td>30</td><td>30</td><td>33</td><td>Ø18,4</td></tr> <tr><td>Z5.504.6619.0</td><td>PG29</td><td>PG29</td><td>18,0-25,0</td><td>37</td><td>8</td><td>37</td><td>4,1</td><td>4,1</td><td>45,5</td><td>Ø25,5</td></tr> <tr><td>Z5.504.6719.0</td><td>PG36</td><td>PG36</td><td>22,0-32,0</td><td>47</td><td>9</td><td>47,5</td><td>50</td><td>50</td><td>55,5</td><td>Ø32,5</td></tr> </tbody> </table> <table border="1" style="width: 100%; border-collapse: collapse;"> <tr><td>nach/according to</td><td>DIN EN 62444 / VDE 0619</td></tr> <tr><td>Gewinde gemäß/thread according to</td><td>DIN 40430</td></tr> <tr><td>Material Verschraubung/material fitting</td><td>AISI 303 / PA 6 UL94-V2</td></tr> <tr><td>Material Verschraubungsdichtung/material seal of fitting</td><td>CR</td></tr> <tr><td>Material O-Ring/material O-ring</td><td>NBR</td></tr> <tr><td>Schutzklasse nach/protection class according to</td><td>DIN EN 60529 IP 66-68</td></tr> </table> <p style="text-align: center;">frei von lackbenetzungsfördernden Substanzen (Silikonfrei)/ free from substances that prevent paint adhesion (silicon free)</p> <p style="text-align: center;">Weitere Daten siehe KATALOG oder eKatalog www.wieland-electric.com additional data see CATALOG or eKATALOG eshop.wieland-electric.com</p> <table border="1" style="width: 100%; border-collapse: collapse;"> <tr> <td colspan="2">Toleranzierung Size ISO 14405 © / Tolerance system Size ISO 14405 ©</td> <td colspan="2">jstyes <input checked="" type="checkbox"/> Stoffverbot und Deklarationsliste nach WN 500010 ist einzuhalten (This ISO-standard describes the envelope principle. According to the envelope principle, conformity with Wieland document WN 500010 is mandatory. A list of prohibited / prohibited substances that prevent paint adhesion is provided in the scope of this document.)</td> </tr> <tr> <td>Freitoleranz nach General tolerance</td> <td>ISO - Zeichnung, keine manuellen Änderungen ISO - drawing, no manual modifications allowed</td> <td>Verwendung first use</td> <td>Blatt: 1 von 1 Sheet: 1 of 1</td> </tr> <tr> <td>Werkstoff / Material</td> <td>Tag/Date</td> <td>Name</td> <td>Zeichnung Nr. / Drawing No.</td> </tr> <tr> <td>2.1</td> <td>10.05.2010</td> <td>Butterhof</td> <td>T Z5.504.6019.0 13K</td> </tr> <tr> <td colspan="2">Maße in mm / Dimensions are in mm</td> <td colspan="2"></td> </tr> <tr> <td colspan="2">  </td> <td colspan="2"> KABELVERSCHRAUBUNG PG, Edelstahl PG, stainless steel </td> </tr> </table>	Wieland Teilenummer part number	Gewinde Verschraubung thread type of fitting	Gewinde Schraubkappe thread type of cap	Klemmbereich clamping range Ø min-max mm	Gewinde-Ø thread-Ø TD mm	Gewindelänge thread length TL mm	Höhe ohne Gewinde height without thread H mm	Verschraubung fitting SW1 mm	Schraubkappe cap SW2 mm	Außen-Ø outer-Ø D mm max.	Innen-Ø inner-Ø D mm min.	Z5.504.6019.0	PG7	PG7	3,0-6,5	12,5	6	22	14	14	15,5	Ø10,4	Z5.504.6119.0	PG9	PG9	4,0-8,0	15,2	6	22,7	19	17	21	Ø12,4	Z5.504.6219.0	PG11	PG11	5,0-10,0	18,6	6	25,5	22	22	24	Ø14,4	Z5.504.6319.0	PG13,5	PG13,5	6,0-12,0	20,4	6,5	24	22	22	24,5	Ø12,4	Z5.504.6419.0	PG16	PG16	10,0-14,0	22,5	6,5	28	24	24	26,5	Ø14,4	Z5.504.6519.0	PG21	PG21	13,0-18,0	28,3	7,2	32	30	30	33	Ø18,4	Z5.504.6619.0	PG29	PG29	18,0-25,0	37	8	37	4,1	4,1	45,5	Ø25,5	Z5.504.6719.0	PG36	PG36	22,0-32,0	47	9	47,5	50	50	55,5	Ø32,5	nach/according to	DIN EN 62444 / VDE 0619	Gewinde gemäß/thread according to	DIN 40430	Material Verschraubung/material fitting	AISI 303 / PA 6 UL94-V2	Material Verschraubungsdichtung/material seal of fitting	CR	Material O-Ring/material O-ring	NBR	Schutzklasse nach/protection class according to	DIN EN 60529 IP 66-68	Toleranzierung Size ISO 14405 © / Tolerance system Size ISO 14405 ©		jstyes <input checked="" type="checkbox"/> Stoffverbot und Deklarationsliste nach WN 500010 ist einzuhalten (This ISO-standard describes the envelope principle. According to the envelope principle, conformity with Wieland document WN 500010 is mandatory. A list of prohibited / prohibited substances that prevent paint adhesion is provided in the scope of this document.)		Freitoleranz nach General tolerance	ISO - Zeichnung, keine manuellen Änderungen ISO - drawing, no manual modifications allowed	Verwendung first use	Blatt: 1 von 1 Sheet: 1 of 1	Werkstoff / Material	Tag/Date	Name	Zeichnung Nr. / Drawing No.	2.1	10.05.2010	Butterhof	T Z5.504.6019.0 13K	Maße in mm / Dimensions are in mm						KABELVERSCHRAUBUNG PG, Edelstahl PG, stainless steel	
Wieland Teilenummer part number	Gewinde Verschraubung thread type of fitting	Gewinde Schraubkappe thread type of cap	Klemmbereich clamping range Ø min-max mm	Gewinde-Ø thread-Ø TD mm	Gewindelänge thread length TL mm	Höhe ohne Gewinde height without thread H mm	Verschraubung fitting SW1 mm	Schraubkappe cap SW2 mm	Außen-Ø outer-Ø D mm max.	Innen-Ø inner-Ø D mm min.																																																																																																																															
Z5.504.6019.0	PG7	PG7	3,0-6,5	12,5	6	22	14	14	15,5	Ø10,4																																																																																																																															
Z5.504.6119.0	PG9	PG9	4,0-8,0	15,2	6	22,7	19	17	21	Ø12,4																																																																																																																															
Z5.504.6219.0	PG11	PG11	5,0-10,0	18,6	6	25,5	22	22	24	Ø14,4																																																																																																																															
Z5.504.6319.0	PG13,5	PG13,5	6,0-12,0	20,4	6,5	24	22	22	24,5	Ø12,4																																																																																																																															
Z5.504.6419.0	PG16	PG16	10,0-14,0	22,5	6,5	28	24	24	26,5	Ø14,4																																																																																																																															
Z5.504.6519.0	PG21	PG21	13,0-18,0	28,3	7,2	32	30	30	33	Ø18,4																																																																																																																															
Z5.504.6619.0	PG29	PG29	18,0-25,0	37	8	37	4,1	4,1	45,5	Ø25,5																																																																																																																															
Z5.504.6719.0	PG36	PG36	22,0-32,0	47	9	47,5	50	50	55,5	Ø32,5																																																																																																																															
nach/according to	DIN EN 62444 / VDE 0619																																																																																																																																								
Gewinde gemäß/thread according to	DIN 40430																																																																																																																																								
Material Verschraubung/material fitting	AISI 303 / PA 6 UL94-V2																																																																																																																																								
Material Verschraubungsdichtung/material seal of fitting	CR																																																																																																																																								
Material O-Ring/material O-ring	NBR																																																																																																																																								
Schutzklasse nach/protection class according to	DIN EN 60529 IP 66-68																																																																																																																																								
Toleranzierung Size ISO 14405 © / Tolerance system Size ISO 14405 ©		jstyes <input checked="" type="checkbox"/> Stoffverbot und Deklarationsliste nach WN 500010 ist einzuhalten (This ISO-standard describes the envelope principle. According to the envelope principle, conformity with Wieland document WN 500010 is mandatory. A list of prohibited / prohibited substances that prevent paint adhesion is provided in the scope of this document.)																																																																																																																																							
Freitoleranz nach General tolerance	ISO - Zeichnung, keine manuellen Änderungen ISO - drawing, no manual modifications allowed	Verwendung first use	Blatt: 1 von 1 Sheet: 1 of 1																																																																																																																																						
Werkstoff / Material	Tag/Date	Name	Zeichnung Nr. / Drawing No.																																																																																																																																						
2.1	10.05.2010	Butterhof	T Z5.504.6019.0 13K																																																																																																																																						
Maße in mm / Dimensions are in mm																																																																																																																																									
		KABELVERSCHRAUBUNG PG, Edelstahl PG, stainless steel																																																																																																																																							