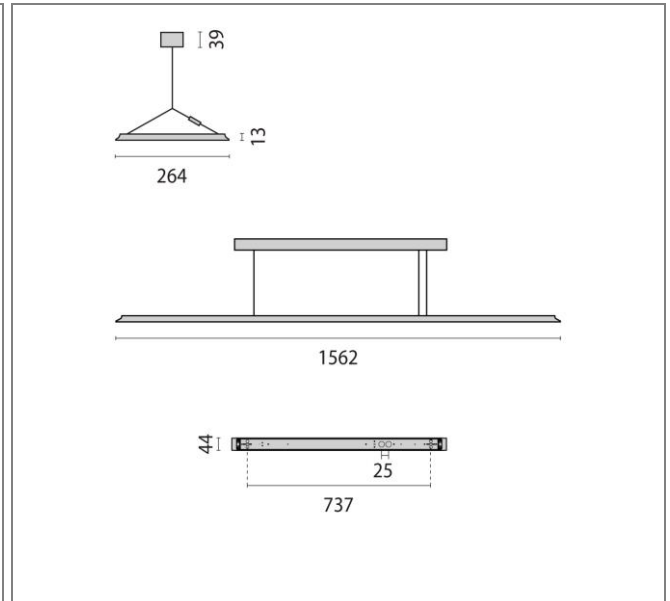


ART.: 3112744

SL713+ PL MP S/C



Art.: 3112744, SL713+ PL RXL 61 S/C 840 GR9006 BT MP, Suspended, LED luminaire for indoor, comprising: Extruded aluminium housing profile, powder-coated. Micro-prismatic diffuser for efficient light diffusion, glare reduction and a high uniformity. LED Sidelight-Technology for a homogenous light distribution over the entire area of the cover. Light engine can be replaced by means of a slide-in mechanism. Direct / indirect light distribution. VDU application suitable acc. to EN 12464-1. Colour rendering index Ra > 80. Colour tolerance according to MacAdam ≤ 3 SDCM. Dimmable via TouchDIM®. DALI dimmable. Bluetooth sensor component for use with dimSMART! light control. Complete with steel suspension cable (1.5 m), transparent power cord and canopy. Special colour versions available. Consult factory.

Connected load	69 W
Luminous flux	9010 lm
Efficiency	131 lm/W
Colour temperature	4000K
Colour rendering (CRI)	80
IP class	20
Nominal voltage	220 – 240 V
Colour	GR-RAL9006
UGR	≤ 16
Glare control	✓

