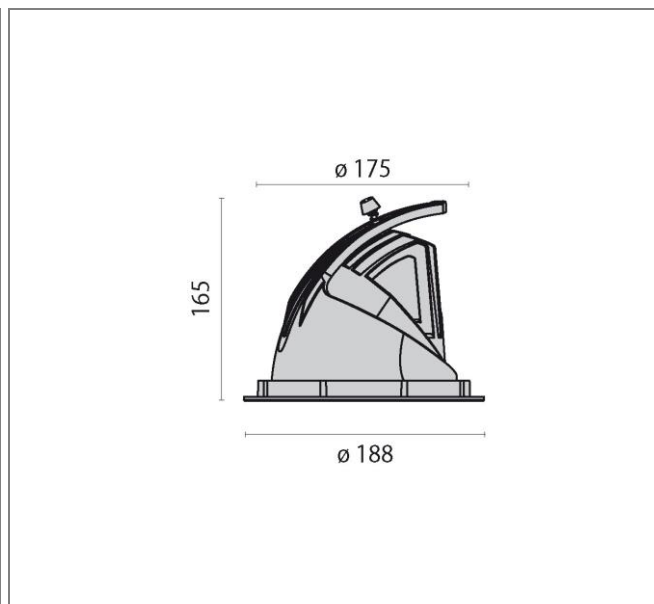


**ART.: 8435154326480**

EB435 LED SPOT REFLECTOR



Art.: 8435154326480, EB435 LED, 35W, 4000K, Driver dali, Direct / spot (2 x 0°-10°), Black, Recessed LED luminaire for indoors, consisting of: Die-cast aluminum spotlight body and ring, powder-coated, Reflector can be swivelled horizontally inwards and outwards thanks to the unique swivel mechanism, Adjustable about 60° (from -15° up to 45°, rotatable about 355°, High-brilliance spherical faceted reflector for maximum lamp performance and neutral colour rendering, Reflector in Spot design, Colour rendering index Ra > 90, Colour tolerance according to MacAdam ≤ 3 SDCM Toolless mounting, Complete with electric converter, Anchor springs, Complete with clear safety glass pane

<b>Connected load</b>	35 W
<b>Luminous flux</b>	3560 lm
<b>Efficiency</b>	102 lm/W
<b>Colour temperature</b>	4000K
<b>Colour rendering (CRI)</b>	80
<b>IP class</b>	20
<b>Nominal voltage</b>	220 – 240 V
<b>Colour</b>	RAL 9005

