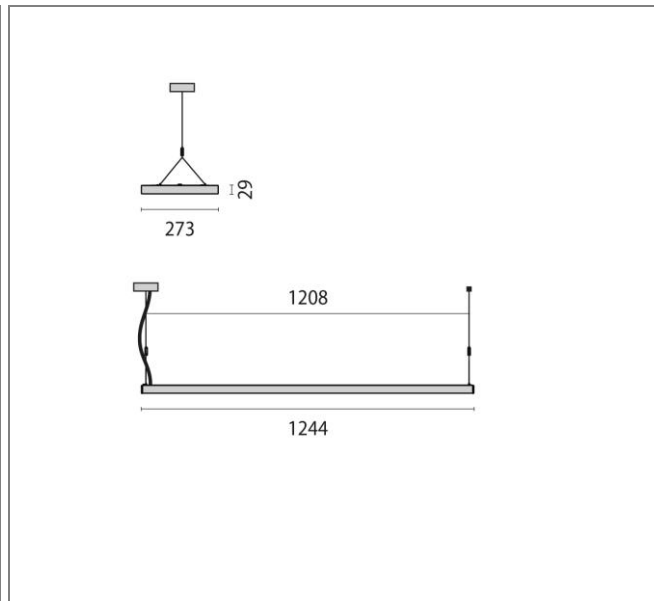


**ART.: 8629261283310**

SL629 PL PRISM



Art.: 8629261283310, SL629 PL, Prismenstruktur, 26W, 3000K, Driver static, 1244mm, Symmetrical - direct, White, LED suspended luminaire for interior, comprising: Housing made of steel sheet, die-cast aluminium end caps, powder painted / Prismatic cover for efficient light diffusion, glare reduction and a high level of uniformity / Direct light distribution / LED Sidelight-Technology for a homogenous light distribution over the entire area of the cover / Colour rendering index Ra > 80 / Colour tolerance according to MacAdam = 3 SDCM / Light engine can be replaced by means of a slide-in mechanism / Complete with steel suspension cable (1.5 m), transparent power cord and ceiling rose / VDU application suitable acc. to EN 12464-1 (see table) / Special colour versions available upon request

<b>Connected load</b>	26 W
<b>Luminous flux</b>	3040 lm
<b>Efficiency</b>	117 lm/W
<b>Colour temperature</b>	3000K
<b>Colour rendering (CRI)</b>	80
<b>IP class</b>	20
<b>Nominal voltage</b>	220 – 240 V
<b>Colour</b>	WH-RAL9016
<b>UGR</b>	16,2
<b>Glare control</b>	✓

