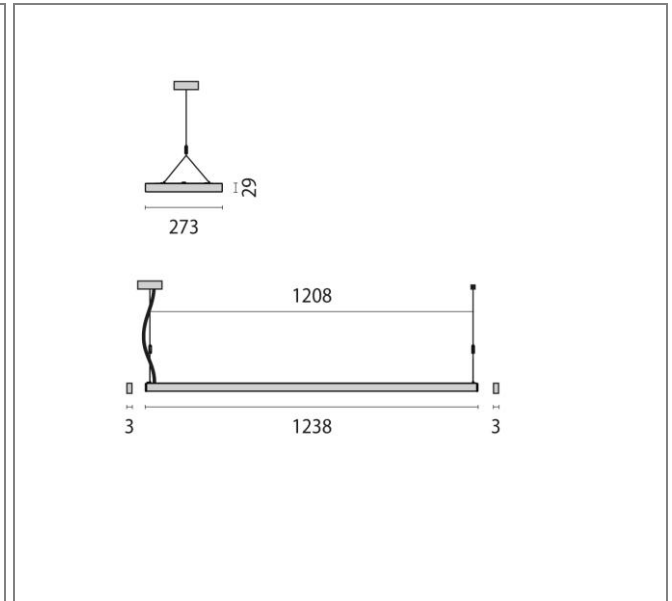


ART.: 8629261286318

SL629 PL CM PRISM



Art.: 8629261286318, SL629PL LB, Micro-prism, 26W, 3000K, Driver dali, 1238mm, Symmetrical - direct, White, Suspended luminaire systems, consisting of one or more luminaire-modules and individually selectable components. Housing made of steel sheet, powder-coated / Connecting elements and end pieces made of die-cast aluminium, powder-coated / Prismatic cover for efficient light diffusion, glare reduction and a high level of uniformity / Light distribution direct or direct/ indirect / Colour rendering index Ra > 80 / Colour tolerance according to MacAdam = 3 SDCM / Dimmable via TouchDIM® / VDU application suitable acc. to EN 12464-1 / Special colour versions available upon request / Please have a look for the components at the list of accessories

Connected load	26 W
Luminous flux	3040 lm
Efficiency	117 lm/W
Colour temperature	3000K
Colour rendering (CRI)	80
IP class	20
Nominal voltage	220 – 240 V
Colour	WH-RAL9016
UGR	16,2
Glare control	✓

