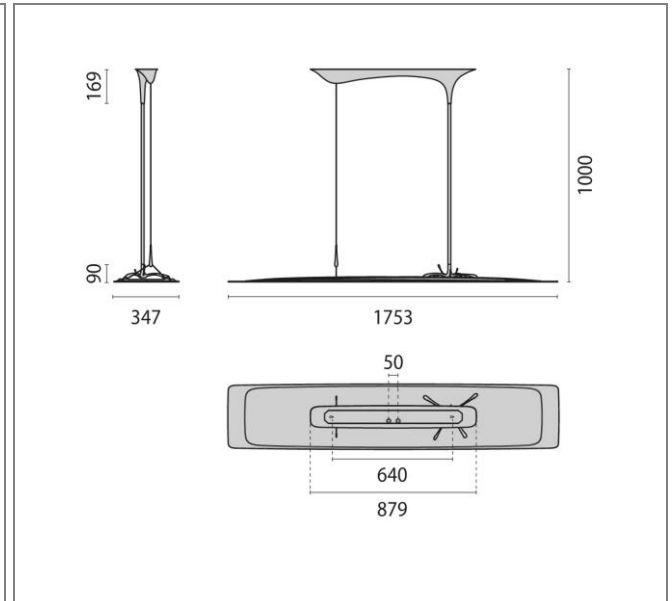


ART.: 8808411723422

IN-TENSE PL M WHITE TR



Art.: 8808411723422, IN-TENSE, Micro-prism, 78W, 4000K, Driver static, 1753mm, Symmetrical - Direct / indirect, WH-RAL9003, LED suspended luminaire for interior, comprising: Luminaire head made from glass with moulded design cover in a wave shape and drip applications made from metal, as well as a diecast canopy / Pendant tube made from metal and cable suspension on one side, with drip application / Flowing forms create a dynamically vibrant sculptural effect that remains suspended in time. / The fitting is available with different light optics: Light optics made from highly transparent, lustrous glass with a white ceramic edge (WHITE TR) and integrated micro prism for efficient light diffusion, glare minimisation, and excellent uniformity / Light optics made from highly transparent, lustrous glass with a black ceramic edge (BLACK TR) and integrated micro prism for efficient light diffusion, glare minimisation, and excellent uniformity / Light optics made from partially mirrored, lustrous black glass with a black ceramic edge (BLACK DRK) and integrated micro prism for efficient light diffusion, glare minimisation, and excellent uniformity / Direct/indirect-beam light distribution for an improved room atmosphere and increased visual comfort / LED Sidelight-Technology for a homogenous light distribution over the entire area of the cover / Colour rendering index Ra > 80 / Colour tolerance according to MacAdam ≤ 3 SDCM / Dimmable via TouchDIM® / VDU application suitable acc. to EN 12464-1 / Sensor device available with task oriented PIR detector and daylight control / Special colour versions available upon request / Including pendant tube and cable suspension, supply line and ceiling canopy

Connected load	78 W
Luminous flux	8650 lm
Efficiency	111 lm/W
Colour temperature	4000K
Colour rendering (CRI)	80
IP class	20
Nominal voltage	220 – 240 V
Colour	WH-RAL9003
UGR	12,3
Glare control	✓

