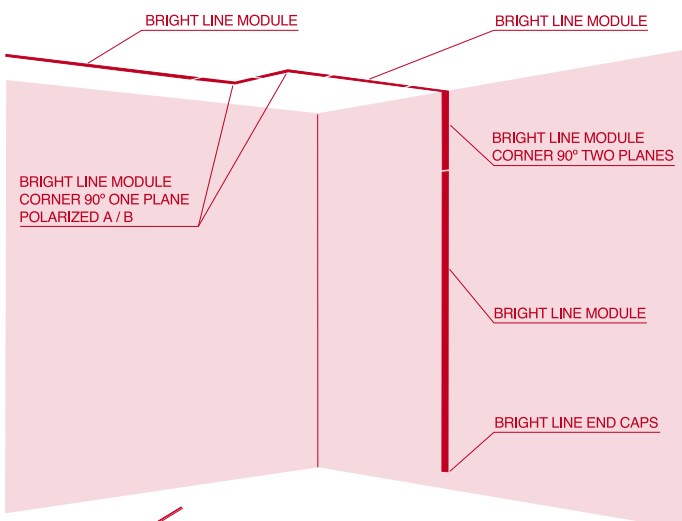






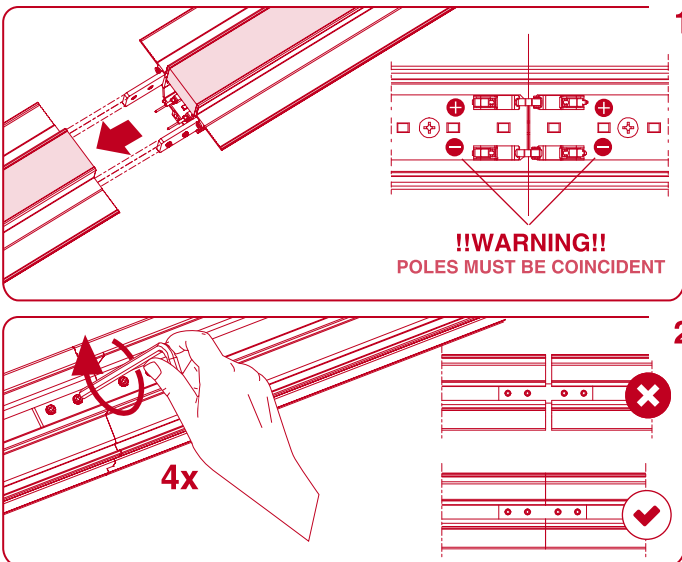
# Bright line



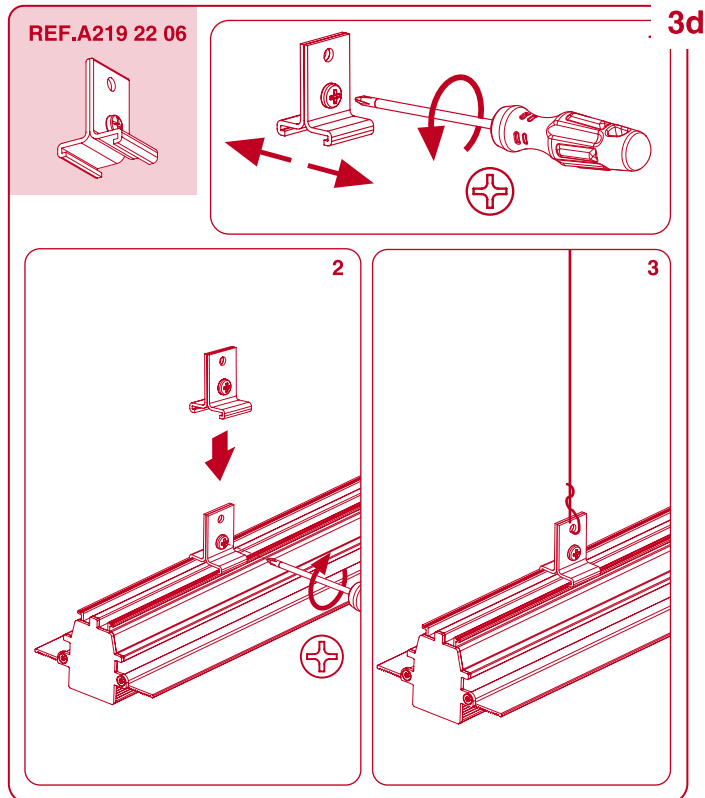
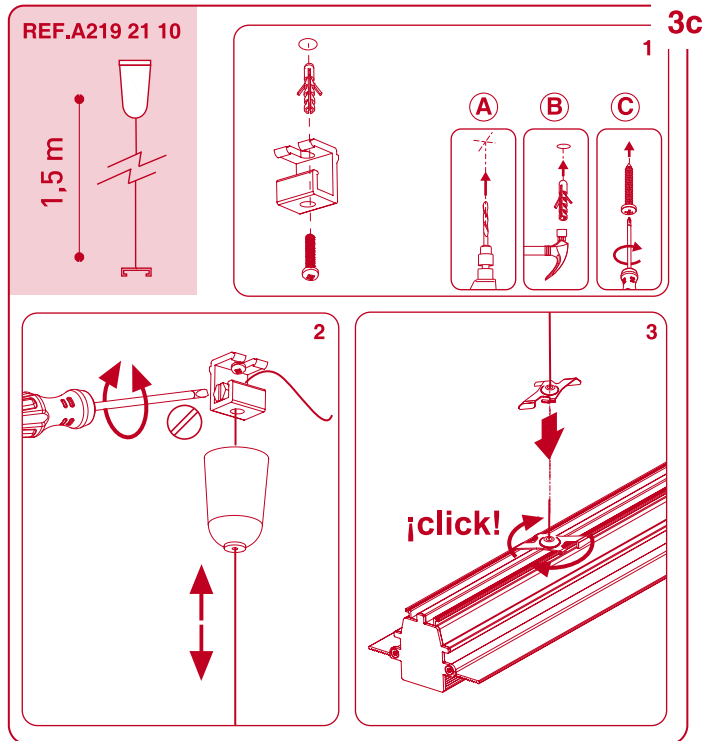
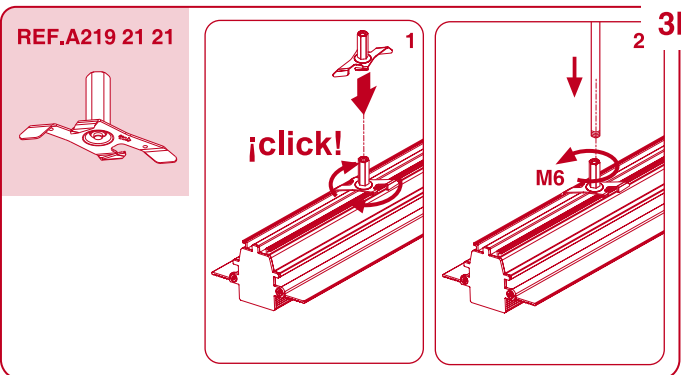
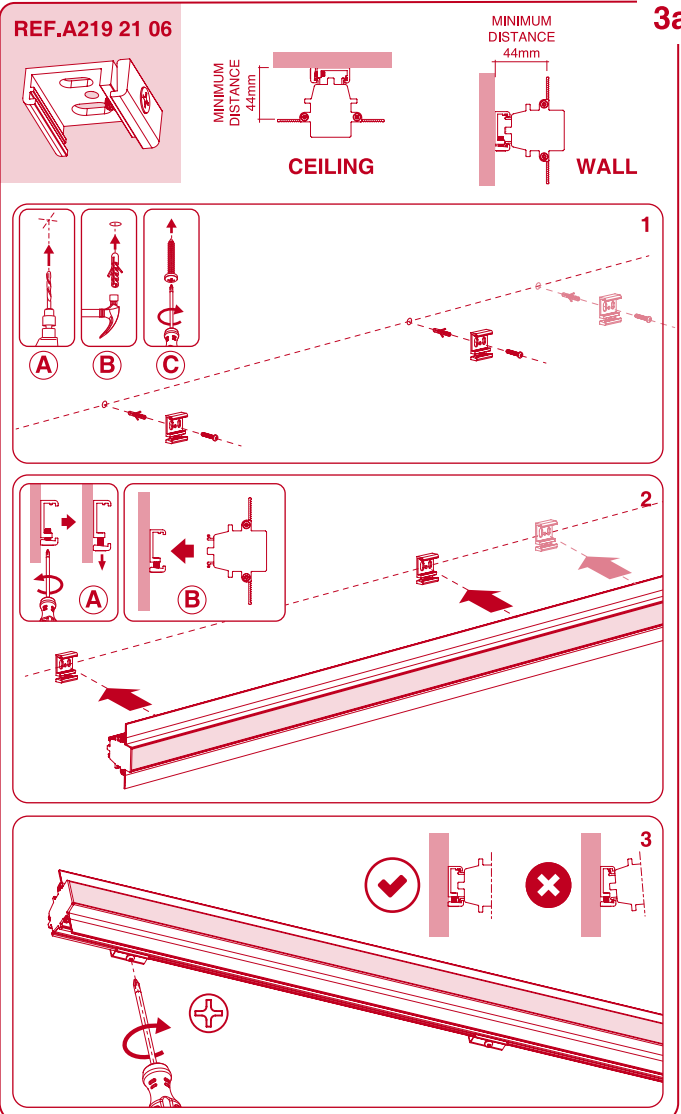
DO NOT REMOVE PROTECTIVE FOAM UNTIL INSTALLATION IS COMPLETED

PERFORM THE MOUNTING OF THE LUMINAIRE FOLLOWING THE MARKED NUMERIC ORDER ON THE SIDE OF THE MODULES

## CONNECTION BETWEEN PROFILES



## MOUNTING ACCESSORIES



## METAL STUD INSTALLATION

