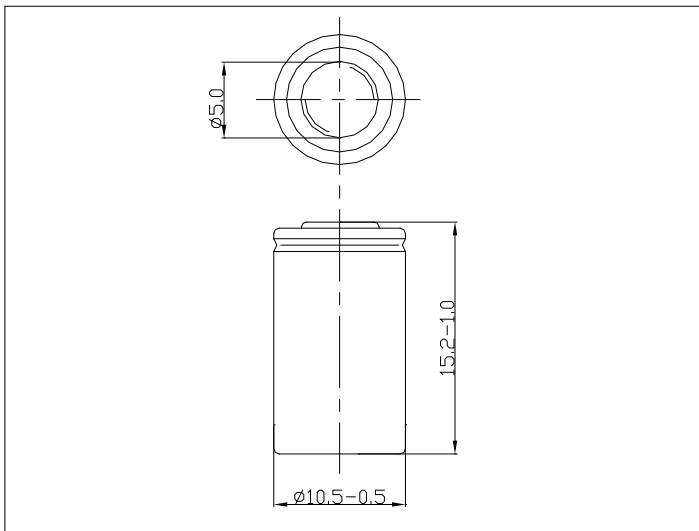


型号 (TYPE): H120 1/3AAA

单体电池规格 Specifications of single cell

标称电压 Nominal voltage		1.2V	
容量 Capacity		0.2CA 放电 Discharge	1.0CA 放电 Discharge
	典型 Typical	320min	60min
	最小 Minimum	300min	54min
尺寸 Dimensions	mm		
	直径 Diameter	10.5 ^{-0.5}	
	高度 Height	15.2 ^{-1.0}	
大约重量 Weight(Approximately)		克 gram 3.5	
内阻 Internal Impedance At 1000 Hz		≤120mΩ (充电后 After Charge)	
充电 Charge	标准 Standard	12mA(0.1CA) × 16h	
	快速 Rapid	120mA(1.0CA) × 1.2h	
环境温度 Ambient temperature	°C		
	充电 Charge	标准 standard	0°C to 45°C
		快速 Rapid	10°C to 40°C
	放电 Discharge	-20°C to 65°C	
贮藏 Storage	-20°C to 45°C		

单颗电池尺寸包括 PVC (Dimensions with tube)

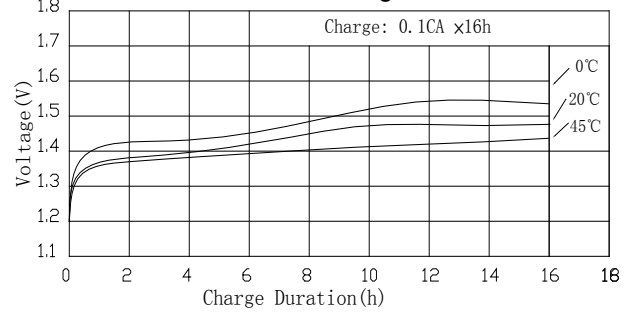


备注 Note:

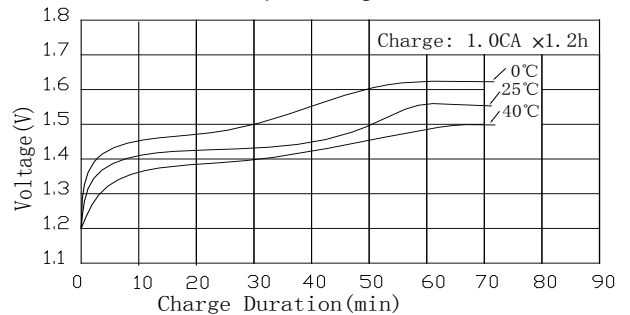
- 标称容量是指 20°C 时 0.2CA 放电容量
Nominal capacity, rated at 0.2CA 20°C.
- 容量只作为参考
Average capacity, for reference only.
- 重量和内阻也仅作为参考
Weight and internal impedance are For reference only.
- 寿命测试依照 IEC 标准
Standard according as IEC of test cycle life.

典型特征 Typical characteristics

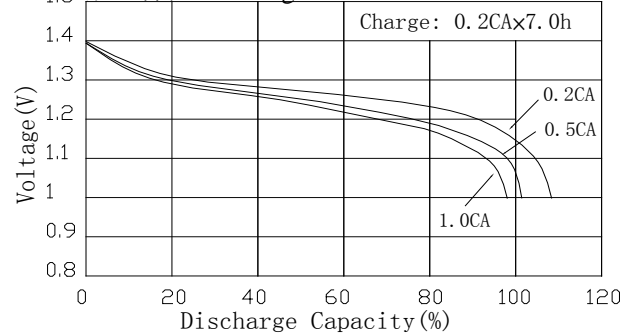
标准充电特征 Standard charge characteristics



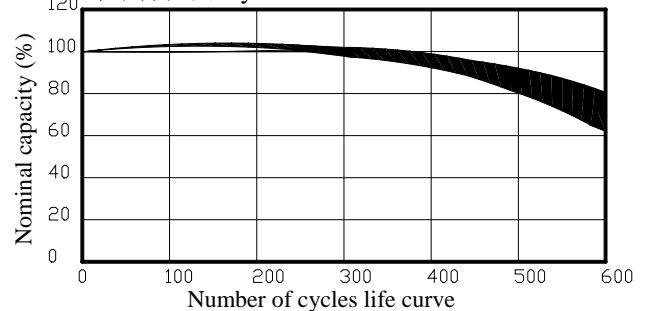
快速充电特征 Rapid charge characteristics



放电特征 Discharge characteristics



寿命特征图 Cycle life characteristics



Ni-MH 圆柱型电池在不同的温度荷电保持曲线图
Charge retention curves of Ni-MH cylindrical cell
At various storage temperature

