

357

SR1154SW (SR44)
Watch Battery
Swiss Made

Technical Data Sheet

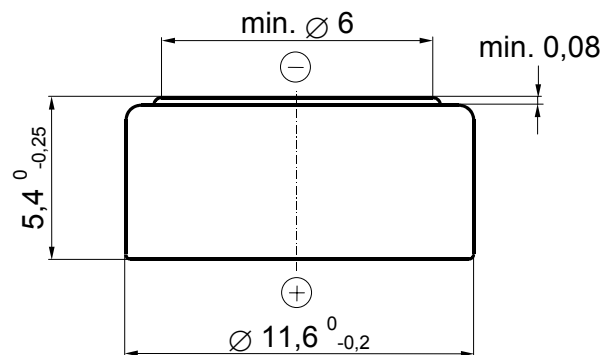
Specifications

Chemical system	Zinc / Monovalent Silver Oxide, high drain
Nominal Voltage	1,55 V
Capacity	190 mAh, Discharge over 8,25 kΩ at 25°C to 1,2 V
Internal Resistance	Below 20 Ω at 20°C
Operating Temperature	0°C – 60°C
Self Discharge	Less than 10% per year at 20°C
Weight	~2,30 g

Dimensions

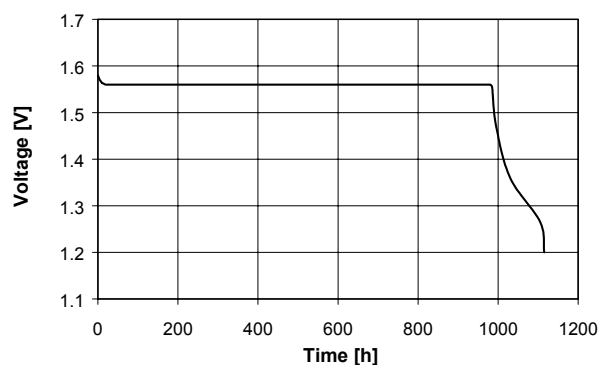
(according IEC 60086-3)

Diameter	11,60 mm (0,457")
Height	5,40 mm (0,213")



Discharge Curve

Constant Load	8,25 kΩ
Starting Drain	189,1 μA
Temperature	20°C



Rev. 357.03 06/02