

**Keyword:**  
 iXtra - Long Term Performance

**Model:** SL-2770

**Performance Data** (Typical values for batteries stored at 25 °C for one year)

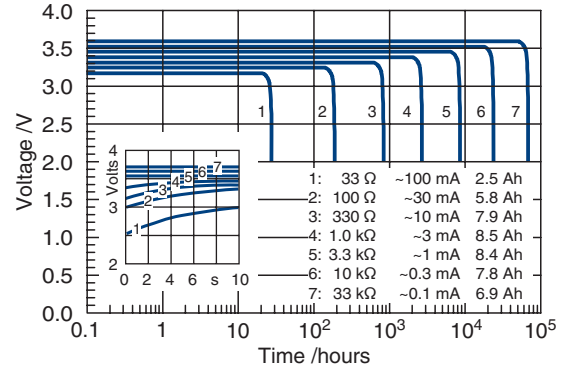
System	Li/SOCl <sub>2</sub>
Nominal voltage	3.6 V
Nominal capacity	8.5 Ah
Nominal current	3 mA
Max. continuous discharge current	100 mA
Pulse current capability	300 mA
Anode surface area	30 cm <sup>2</sup>
Lithium content	2.5 g
Weight	50 g
Volume	26 cm <sup>3</sup>
Temperature range	-55...+85 °C

**WARNING:**  
 Fire, explosion, and severe burn hazard. Do not recharge, disassemble, heat above 100 °C, incinerate, or expose contents to water.

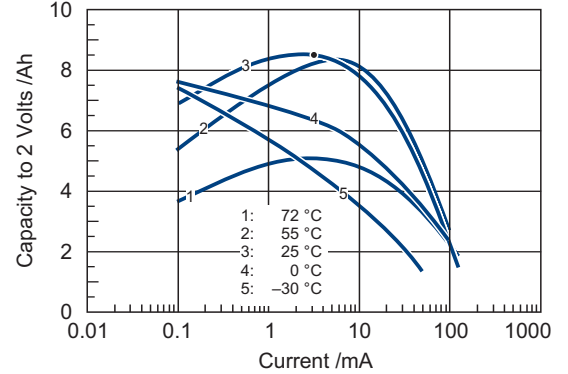
UL recognition under file MH 12827

See also our website under Products/Safety

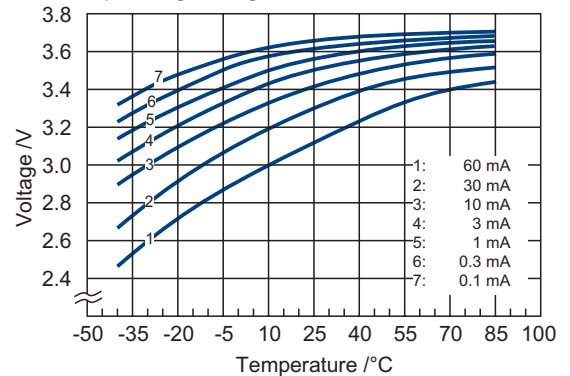
Typical Discharge Curves at +25 °C



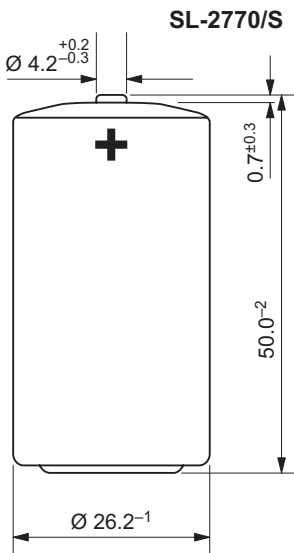
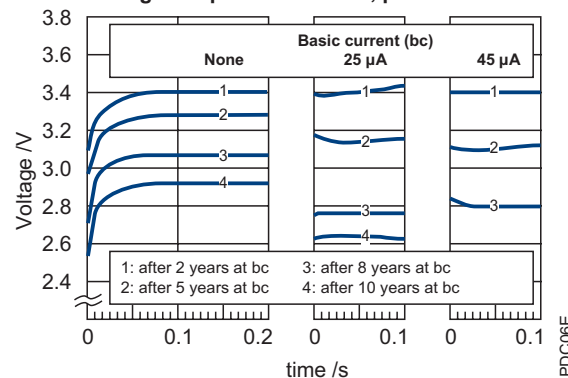
Available Capacity



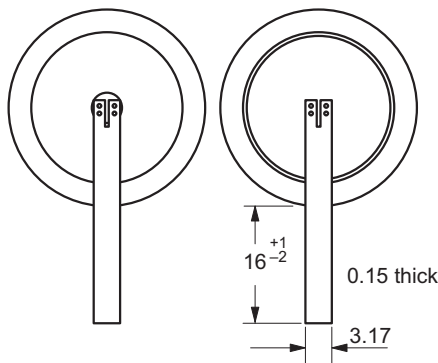
Operating Voltage



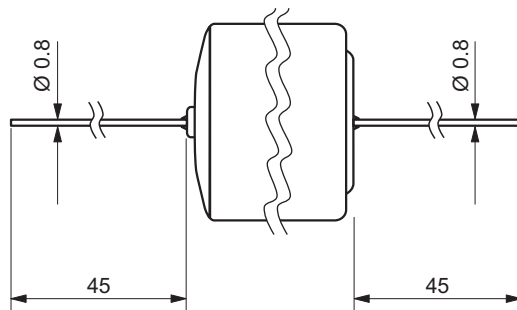
Voltage Response at +25 °C, pulse: 40 mA



SL-2770/T



SL-2770/P



**Available Terminations**

SL-2770/S	Standard
SL-2770/T	Tags
SL-2770/P	Pins

**Catalogue No.**

11 2 17701 00
11 2 17702 00
11 2 17703 00

Any values given here are for information purposes only. They also depend on actual conditions of use and are not warranties of future performance. Subject to change.