

# Milwaukee®

Nothing but **HEAVY DUTY**®



## M18 ONEFSZ

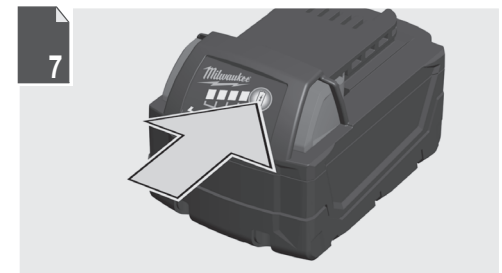
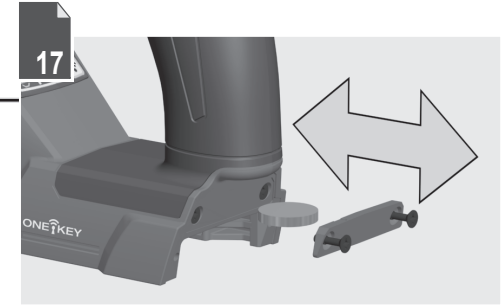
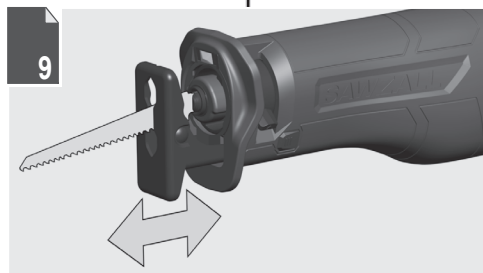
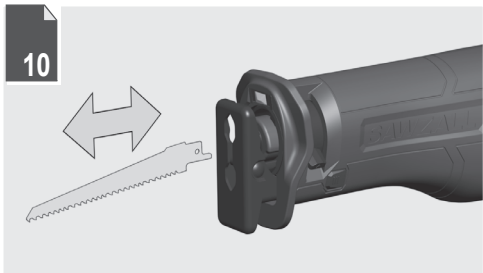
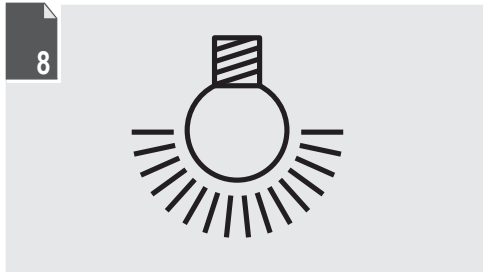
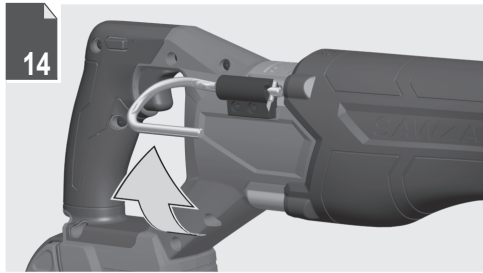
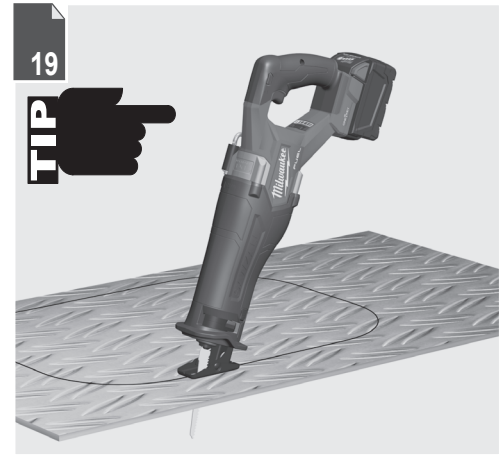
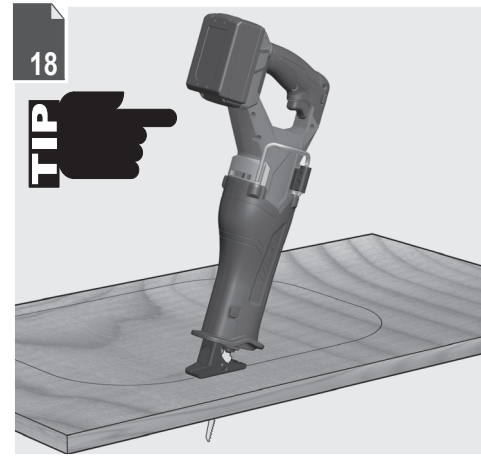
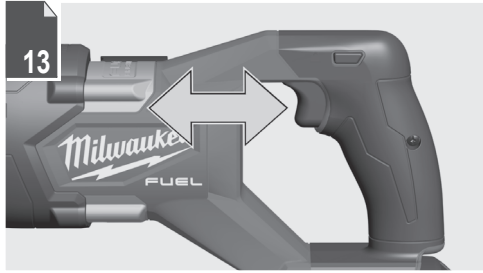
Original instructions  
Originalbetriebsanleitung  
Notice originale  
Istruzioni originali  
Manual original  
Oorspronkelijke  
gebruiksaanwijzing  
Original brugsanvisning  
Original bruksanvisning  
Bruksanvisning i original  
Alkuperäiset ohjeet

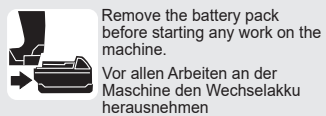
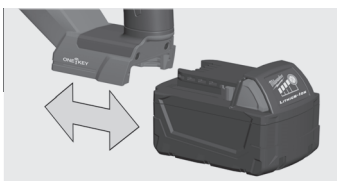
Πρωτότυπο οδηγιών χρήσης  
Orijinal işletme talimatı  
Původním návodem k  
používání  
Pôvodný návod na použitie  
Instrukcją oryginalną  
Eredeti használati utasítás  
Izvirna navodila  
Originalne pogonske upute  
Instrukcijām oriģinālvadā  
Originali instrukcija

Algupärane kasutusjuhend  
Оригинальное руководство  
по эксплуатации  
Оригинално ръководство за  
експлоатация  
Instrucțiuni de folosire  
originale  
Оригинален прирачник за  
работа  
Оригінал інструкції з  
експлуатації  
التعليمات الأصلية

<b>ENGLISH</b>		Picture section with operating description and functional description	<b>4</b>
<b>DEUTSCH</b>		Bildteil mit Anwendungs- und Funktionsbeschreibungen	<b>4</b>
<b>FRANÇAIS</b>		Partie imagée avec description des applications et des fonctions	<b>4</b>
<b>ITALIANO</b>		Sezione illustrata con descrizione dell'applicazione e delle funzioni	<b>4</b>
<b>ESPAÑOL</b>		Sección de ilustraciones con descripción de aplicación y descripción funcional	<b>4</b>
<b>PORTUGUES</b>		Parte com imagens explicativas contendo descrição operacional e funcional	<b>4</b>
<b>NEDERLANDS</b>		Beeldgedeelte met toepassings- en functiebeschrijvingen	<b>4</b>
<b>DANSK</b>		Billedel med anvendelses- og funktionsbeskrivelser	<b>4</b>
<b>NORSK</b>		Billedel med bruks- og funksjonsbeskrivelse	<b>4</b>
<b>SVENSKA</b>		Bilddel med användnings- och funktionsbeskrivning	<b>4</b>
<b>SUOMI</b>		Kuvasivut käyttö- ja toimintakuvaus	<b>4</b>
<b>ΕΛΛΗΝΙΚΑ</b>		Τμήμα εικόνων με περιγραφές χρήσης και λειτουργίας	<b>4</b>
<b>TÜRKÇE</b>		Resim bölümü Uygulama ve fonksiyon açıklamaları ile birlikte	<b>4</b>
<b>ČESKY</b>		Obrazová část s popisem aplikací a funkcí	<b>4</b>
<b>SLOVENSKY</b>		Obrazová časť s popisom aplikácií a funkcií	<b>4</b>
<b>POLSKI</b>		Część rysunkowa z opisami zastosowania i działania	<b>4</b>
<b>MAGYAR</b>		Képes részalkalmazási- és működési leírásokkal	<b>4</b>
<b>SLOVENSKO</b>		Del slike z opisom uporabe in funkcij	<b>4</b>
<b>HRVATSKI</b>		Dio sa slikama opisima primjene i funkcija	<b>4</b>
<b>LATVISKI</b>		Attēla daļa ar lietošanas un funkciju aprakstiem	<b>4</b>
<b>LIETUVIŠKAI</b>		Paveikslėlio dalis su vartojimo instrukcija ir funkcijų aprašymais	<b>4</b>
<b>EESTI</b>		Pildiosa kasutusjuhendi ja funktsioonide kirjeldusega	<b>4</b>
<b>РУССКИЙ</b>		Раздел иллюстраций с описанием эксплуатации и функций	<b>4</b>
<b>БЪЛГАРСКИ</b>		Част със снимки с описания за приложение и функции	<b>4</b>
<b>ROMÂNIA</b>		Secvența de imagine cu descrierea utilizării și a funcțiilor	<b>4</b>
<b>МАКЕДОНСКИ</b>		Дел со слики со описи за употреба и функционирање	<b>4</b>
<b>УКРАЇНСЬКА</b>		Частина з зображеннями з описом робіт та функцій	<b>4</b>
<b>عربي</b>		قسم الصور يوجد به الوصف التشغيلي والوظيفي	<b>4</b>

Text section with Technical Data, important Safety and Working Hints and description of Symbols	<b>20</b>
Textteil mit Technischen Daten, wichtigen Sicherheits- und Arbeitshinweisen und Erklärung der Symbole.	<b>23</b>
Partie textuelle avec les données techniques, les consignes importantes de sécurité et de travail ainsi que l'explication des pictogrammes.	<b>26</b>
Sezione testo con dati tecnici, importanti informazioni sulla sicurezza e sull'utilizzo, spiegazione dei simboli.	<b>29</b>
Sección de texto con datos técnicos, indicaciones importantes de seguridad y trabajo y explicación de los símbolos.	<b>32</b>
Parte com texto explicativo contendo Especificações técnicas, Avisos de segurança e de operação e a Descrição dos símbolos.	<b>35</b>
Tekstgedeelte met technische gegevens, belangrijke veiligheids- en arbeidsinstructies en verklaring van de symbolen.	<b>38</b>
Tekstdel med tekniske data, vigtige sikkerheds- og arbejdsanvisninger og symbolforklaring.	<b>41</b>
Tekstdel med tekniske data, viktige sikkerhets- og arbeidsinstruksjoner og forklaring av symbolene.	<b>44</b>
Textdel med tekniska informationer, viktiga säkerhets- och användningsinstruktioner samt symbolförklaringar.	<b>47</b>
Tekstisivut: tekniset tiedot, tärkeät turvallisuus- ja työskentelyohjeet sekä merkkien selitykset.	<b>50</b>
Τμήμα κειμένου με τεχνικά χαρακτηριστικά, σημαντικές υποδείξεις ασφαλείας και εργασίας και εξήγηση των συμβόλων.	<b>53</b>
Teknik bilgileri, önemli güvenlik ve çalışma açıklamalarını ve de sembollerin açıklamalarını içeren metin bölümü.	<b>56</b>
Textová část s technickými daty, důležitými bezpečnostními a pracovními pokyny a s vysvětlivkami symbolů	<b>59</b>
Textová časť s technickými dátami, dôležitými bezpečnostnými a pracovnými pokynmi a s vysvetlivkami symbolov	<b>62</b>
Część opisowa z danymi technicznymi, ważnymi wskazówkami dotyczącymi bezpieczeństwa i pracy oraz objaśnieniami symboli.	<b>65</b>
Szöveges rész műszaki adatokkal, fontos biztonsági- és munkavégzési útmutatásokkal, valamint a szimbólumok magyarázata.	<b>68</b>
Del besedila s tehničnimi podatki, pomembnimi varnostnimi opozorili in delovnimi navodili in pojasnili simbolov.	<b>71</b>
Dio štiva sa tehničkim podacima, važnim sigurnosnim i radnim uputama i objašnjenjem simbola.	<b>74</b>
Teksta daļa ar tehnikajiem parametriem, svarīgiem drošības un darbības norādījumiem, simbolu atšifrējumiem.	<b>77</b>
Teksto dalis su techniniais duomenimis, svarbiomis saugumo ir darbo instrukcijomis bei simbolių paaiškinimais.	<b>80</b>
Tekstiosa tehniliste näitajate, oluliste ohutus- ja tööjuhenditega ning sümbolite kirjeldustega.	<b>83</b>
Текстовый раздел, включающий технические данные, важные рекомендации по безопасности и эксплуатации, а также описание используемых символов.	<b>86</b>
Част с текст с технически данни, важни указания за безопасност и работа и разяснение на символите.	<b>89</b>
Porțiune de text cu date tehnice, indicații importante privind siguranța și modul de lucru și descrierea simbolurilor.	<b>92</b>
Tekstuален дел со Технички карактеристики, важни безбедносни и работни упатства и објаснување на символите.	<b>95</b>
Текстова частина з техничними даними, важливими вказівками з техніки безпеки та експлуатації і поясненням символів.	<b>98</b>
القسم النصي المزود بالبيانات الفنية والنصائح الهامة للسلامة والعمل ووصف الرموز	<b>103</b>





Remove the battery pack before starting any work on the machine.

Vor allen Arbeiten an der Maschine den Wechselakku herausnehmen

Avant tous travaux sur la machine retirer l'accu interchangeable.

Prima di iniziare togliere la batteria dalla macchina.

Retire la batería antes de comenzar cualquier trabajo en la máquina.

Antes de efectuar cualquier intervención na máquina retirar o bloco acumulador.

Voor alle werkzaamheden aan de machine de akku verwijderen.

Ved arbejde inden i maskinen, bør batteriet tages ud.

Ta ut vekslebatteriet før du arbeider på maskinen

Drag ur batteripaket innan arbete utföres på maskinen.

Tarkista pistotulppa ja verkkojohto mahdollisilta vaurioilta. Viat saa korjata vain alan erikoismies.

Πριν από κάθε εργασία στη μηχανή αφαιρέστε την ανταλλακτική μπαταρία.

Aletin kendingde bir çalışma yapmadan önce kartuş aküyü çıkarın.

Před zahájením veškerých prací na vrtacím šroubováků vyjmout výměnný akumulátor.

Pred každou pracou na stroji výměnný akumulátor vytahnúť.

Przed przystąpieniem do jakichkolwiek prac na elektronarzędziu należy wyjąć wkładkę akumulatorową.

Karbantartás, javítás, tisztítás, stb. előtt az akkumulátort ki kell venni a készülékből.

Pred deli na stroju izvlécite izmenljivi akumulator.

Prije svih radova na stroju izvaditi bateriju za zamjenu.

Pirms mašīnai veikt jebkāda veida apkopes darbus, ir jāizņem ārā akumulators.

Prieš atlikdami bet kokius darbus įrenginyje, išimkite keičiamą akumuliatorių.

Enne kõiki töid masina kallal võtke vahetatava aku välja.

Выньте аккумулятор из машины перед проведением с ней каких-либо манипуляций.

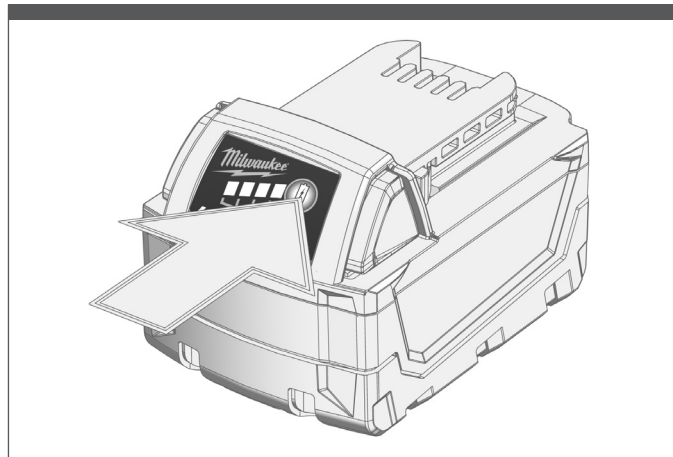
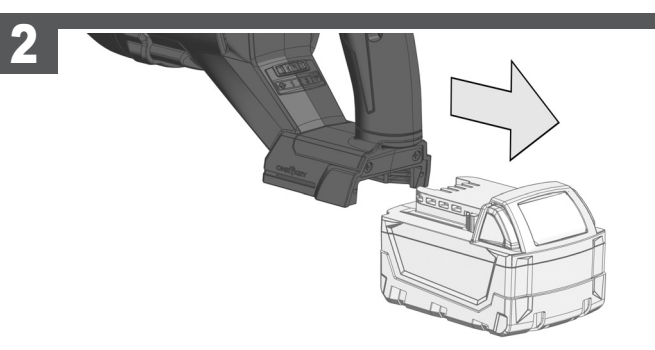
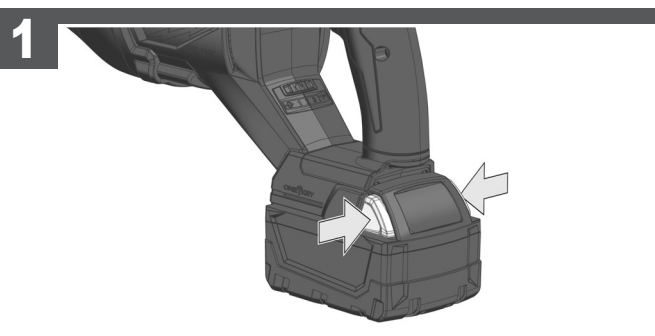
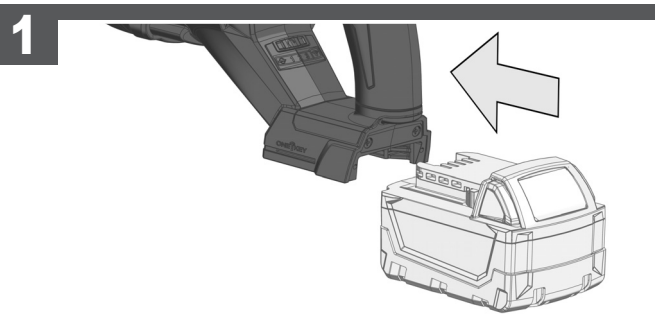
Преди започване на каквито е да работи по машината извадете акумулатора.

Scoateți acumulatorul înainte de a începe orice intervenție pe mașină.

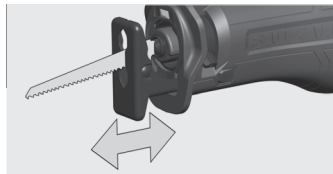
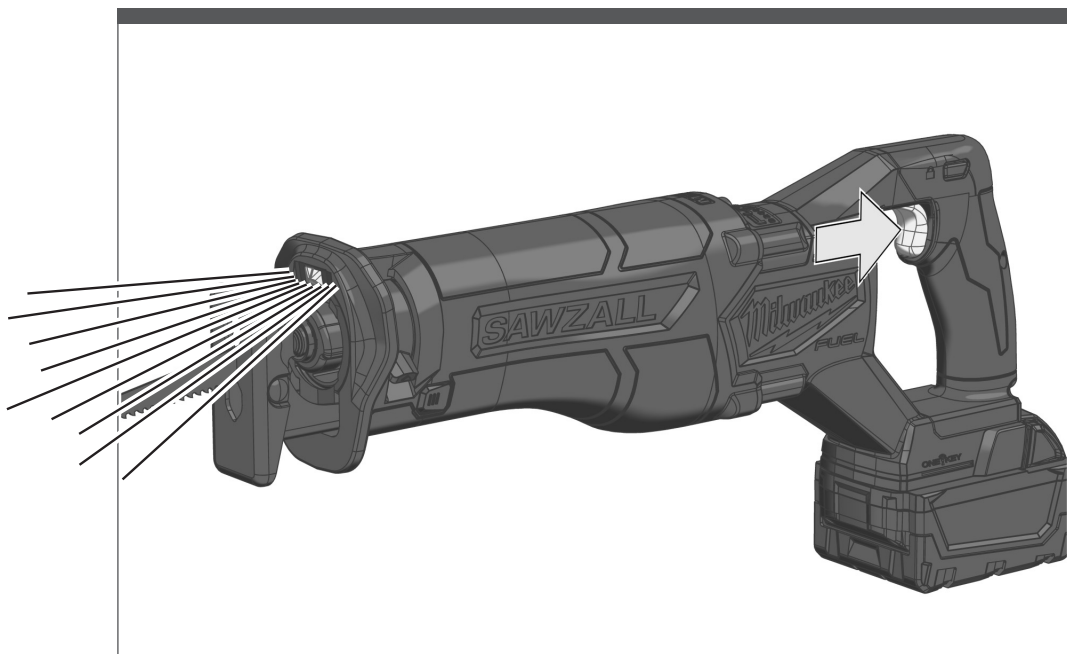
Отстранете ја батеријата пред да започнете да ја користите машината.

Перед будь-якими роботами на машині ви́йняти змінну акумуляторну батарею.

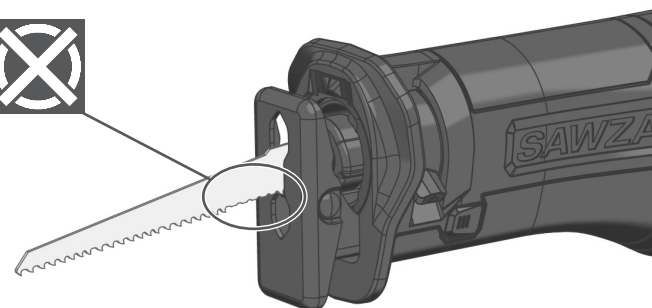
قم بإزالة حزمة البطارية قبل البدء في أي أعمال على الجهاز.



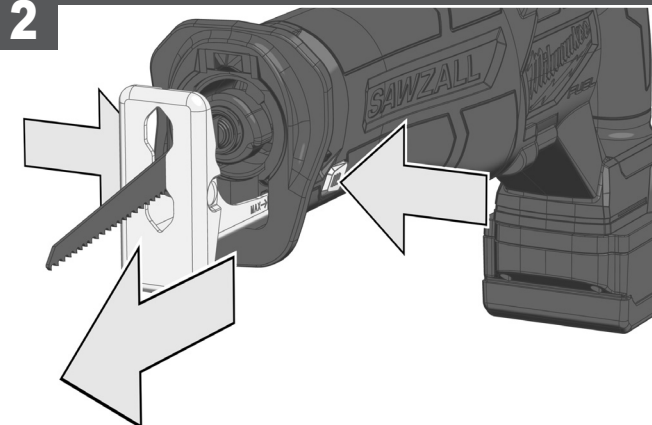
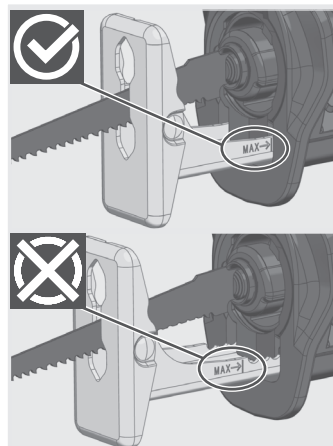
		78-100 %
		55-77 %
		33-54 %
		10-32 %
		< 10 %



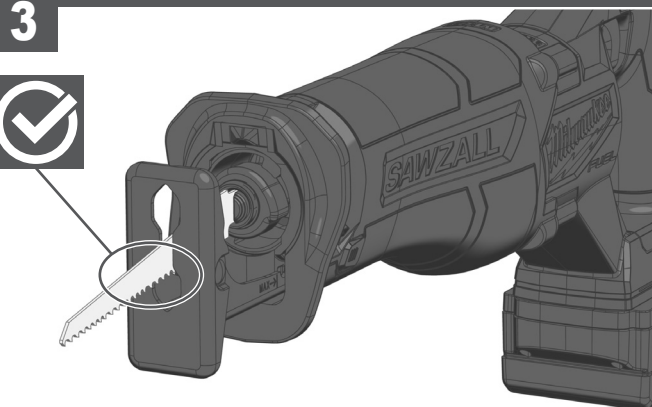
1

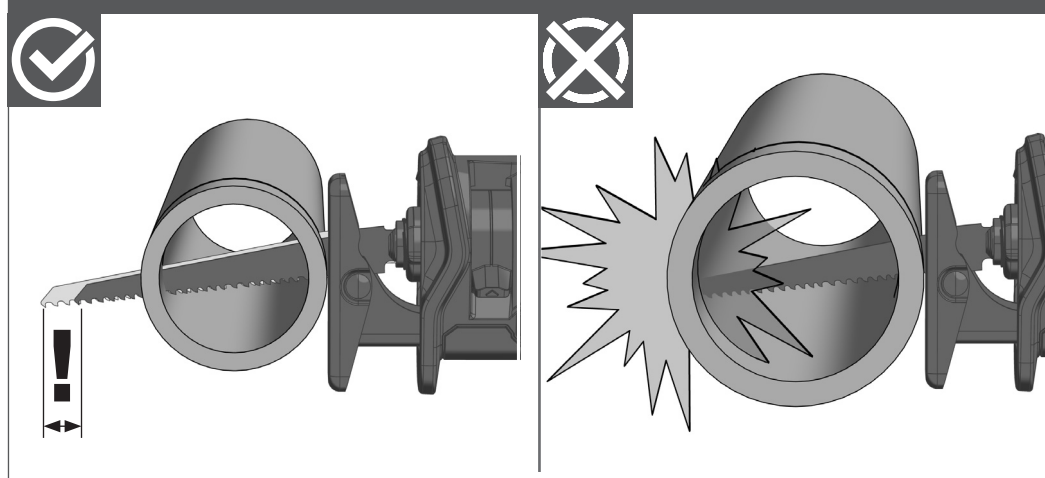
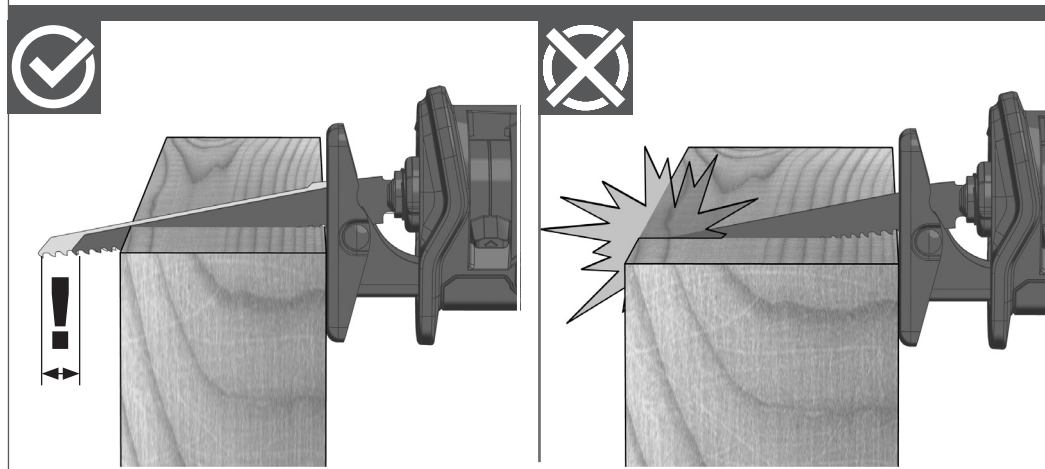
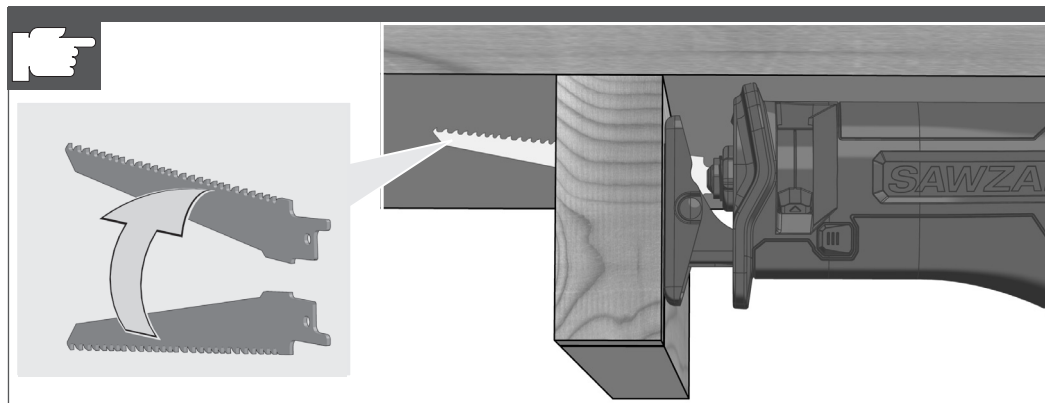
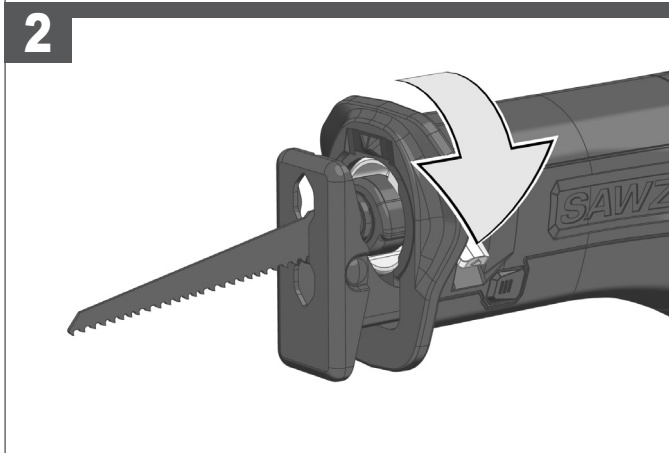
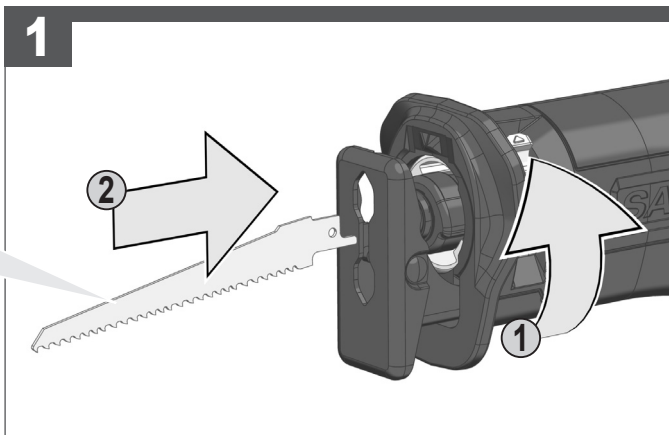
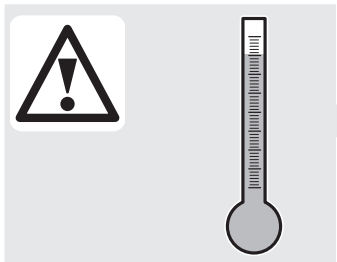
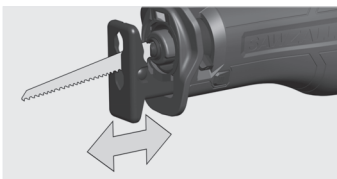


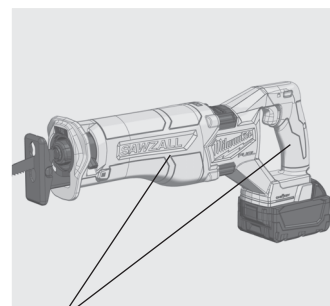
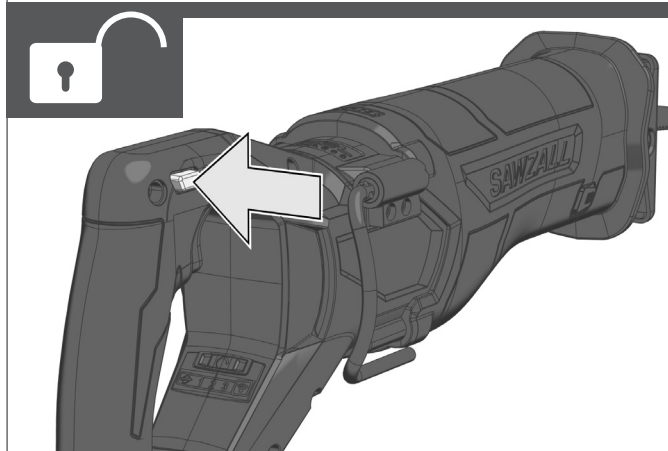
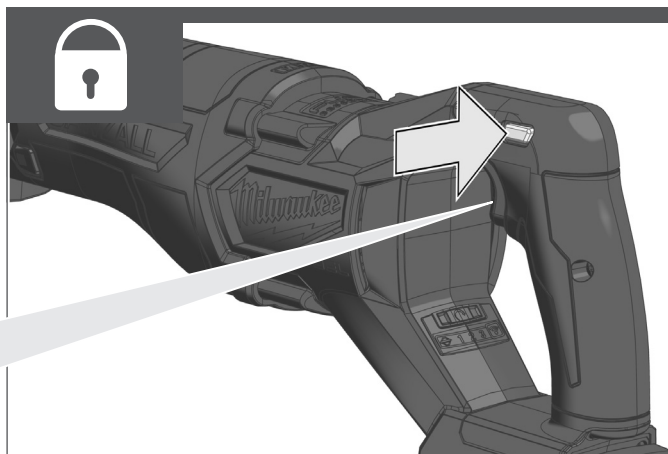
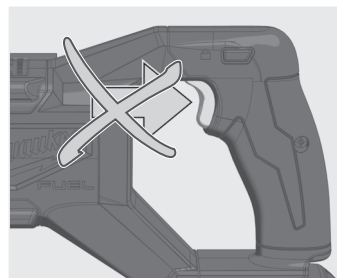
2



3





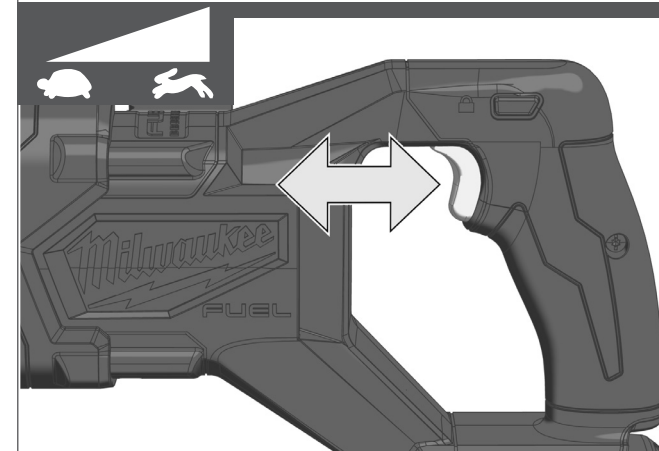
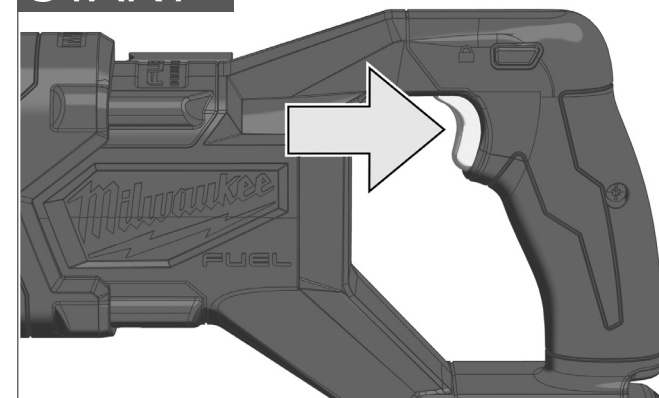


- Insulated gripping surface
- Isolierte Grifffläche
- Surface de prise isolée
- Superficie di presa isolata
- Superficie de agarre con aislamiento
- Superficie de pega isolada
- Geïsoleerd
- Isolerede gribeflader
- Isolert gripeflate
- Isolerad greppyta
- Eristetty tarttumapinta
- Μονωμένη επιφάνεια λαβής
- Izolasyonlu tutma yüzeyi
- Izolovaná uchopovací plocha
- Izolovaná úchopná plocha
- Izolowaną powierzchnią
- Szigetelt fogófelület
- Izolirana prijemalna površina
- Izolirana površina za držanje
- Izolēta satveršanas virsma
- Izoliuotas rankenos paviršius
- Isoleeritud pideme piirkond
- Изолированная поверхность ручки
- Изолирана повърхност за хващане
- Suprafață de prindere izolată
- Изолирана површина
- Изолирована поверхня ручки

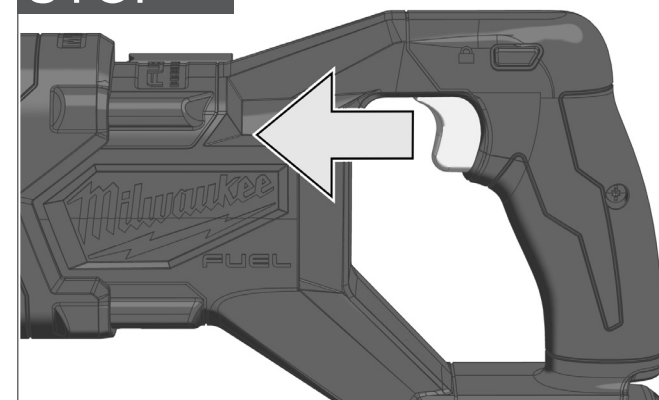
مساحة المقبض معزولة

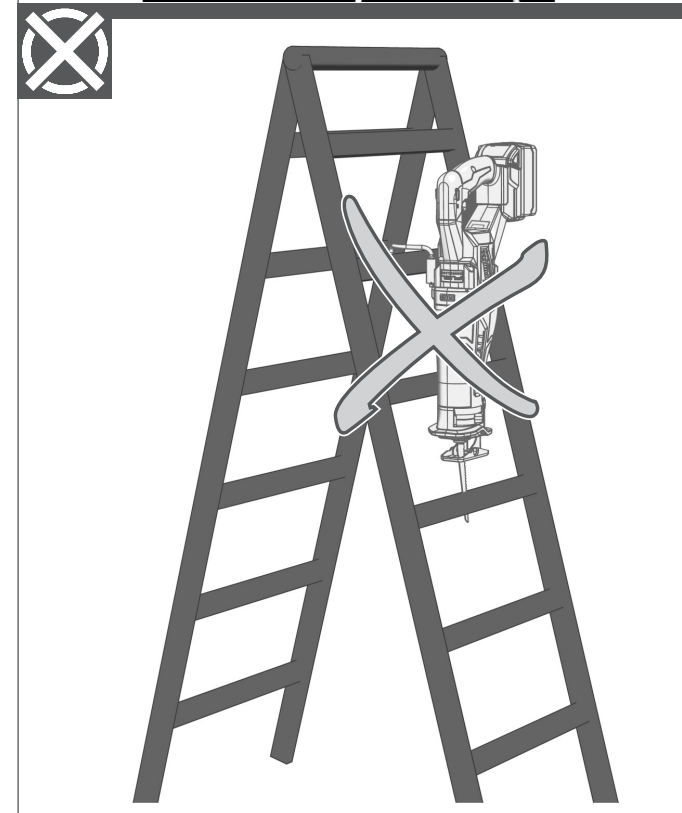
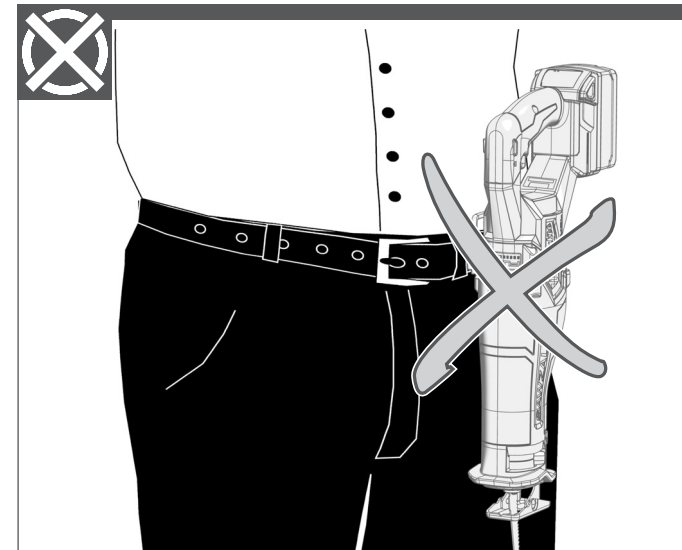
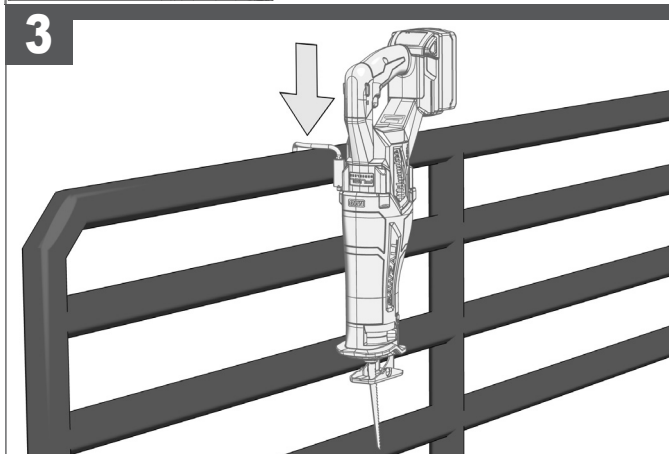
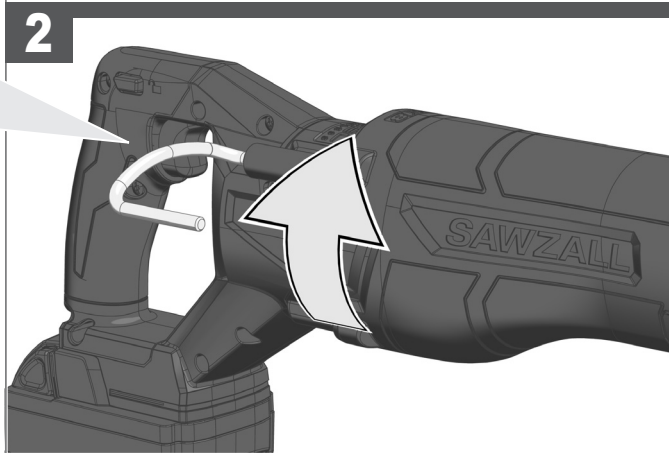
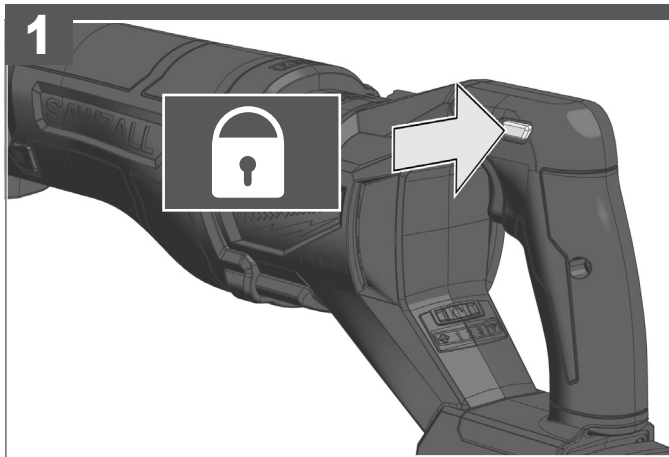
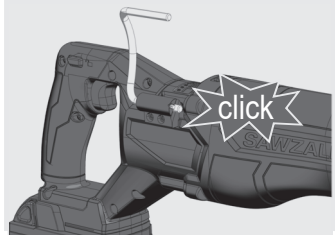
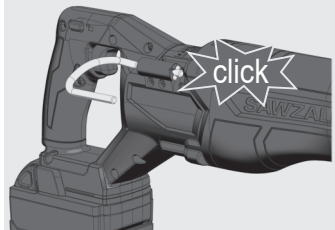
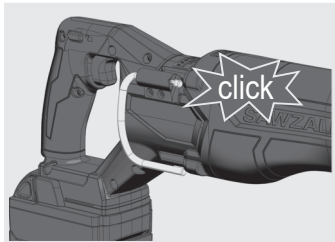
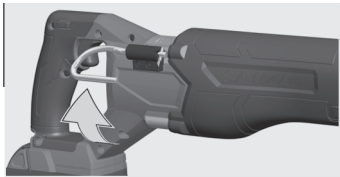


## START

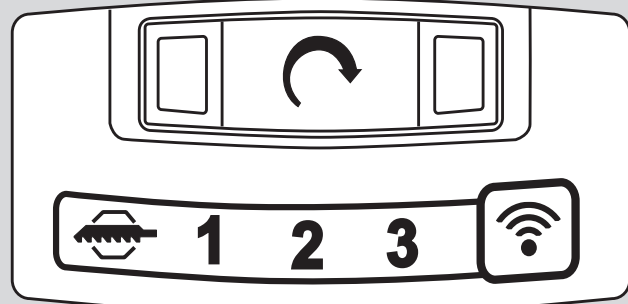
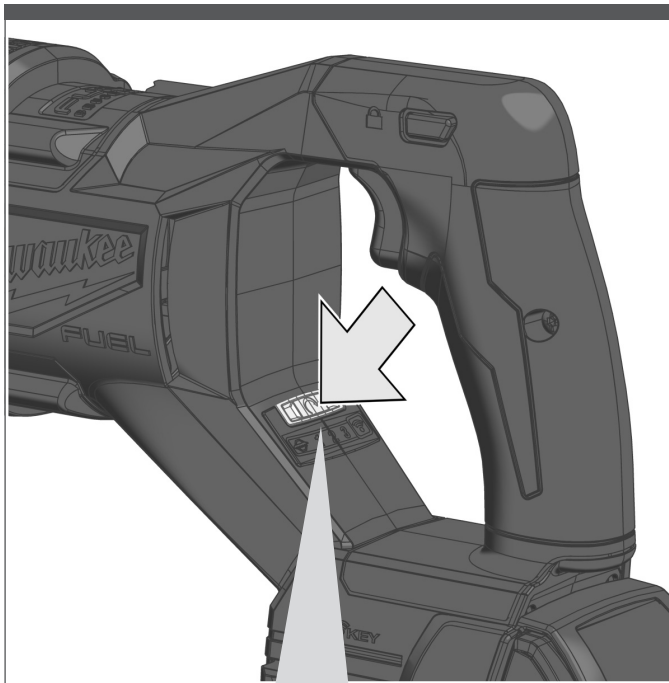
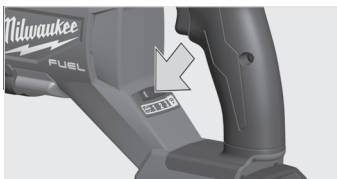


## STOP

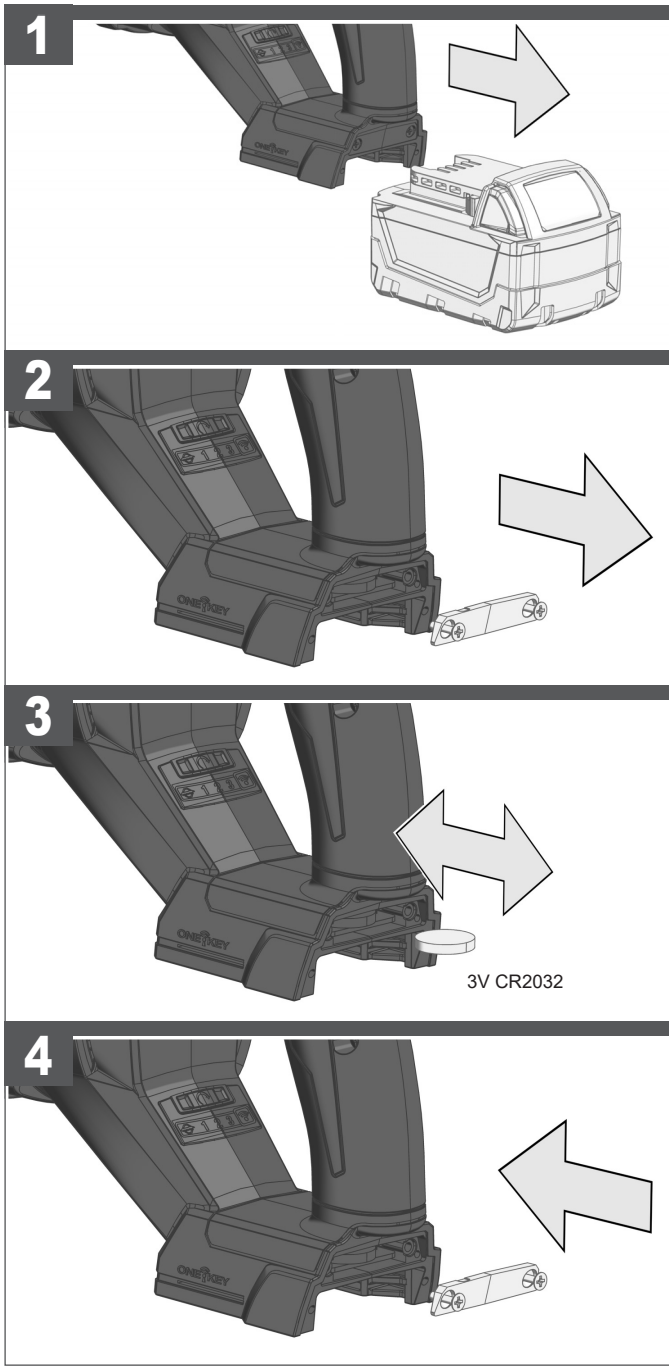


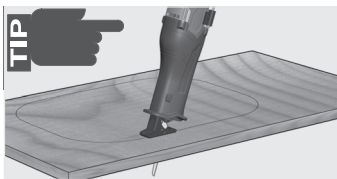




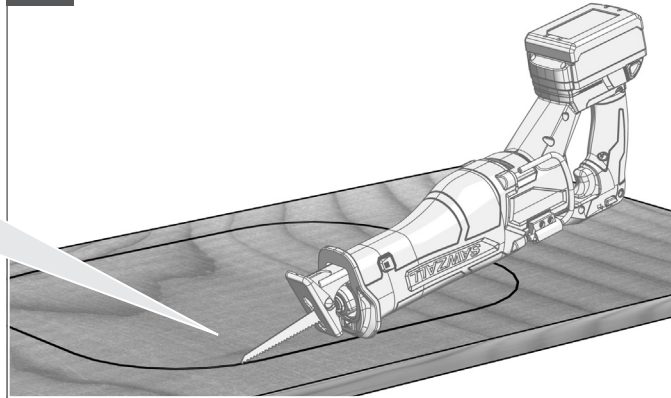


SPM	1300	2300	3000
Ramp-up Time	1 sec	0,1 sec	0,1 sec

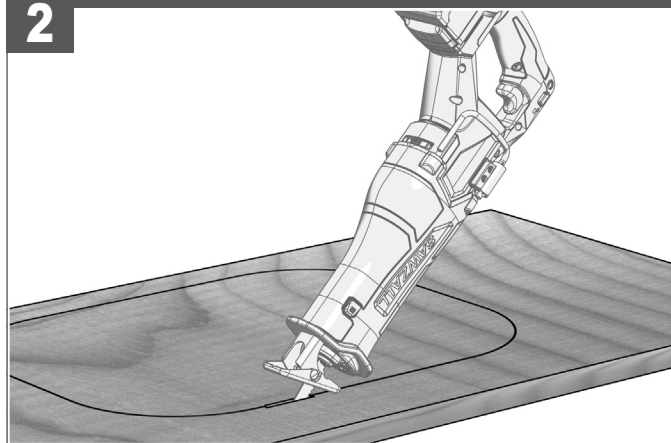




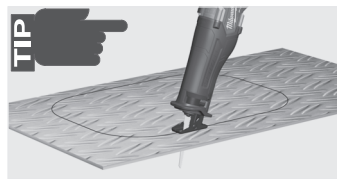
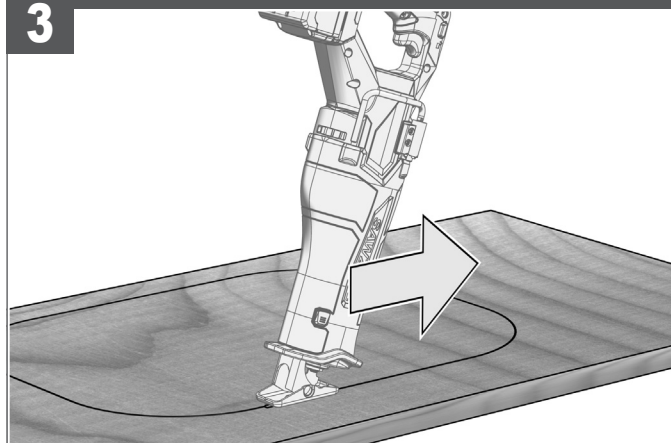
1



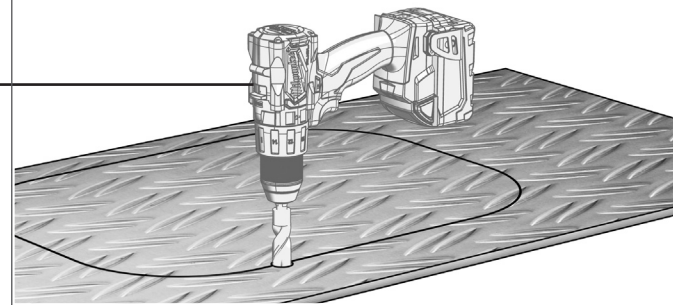
2



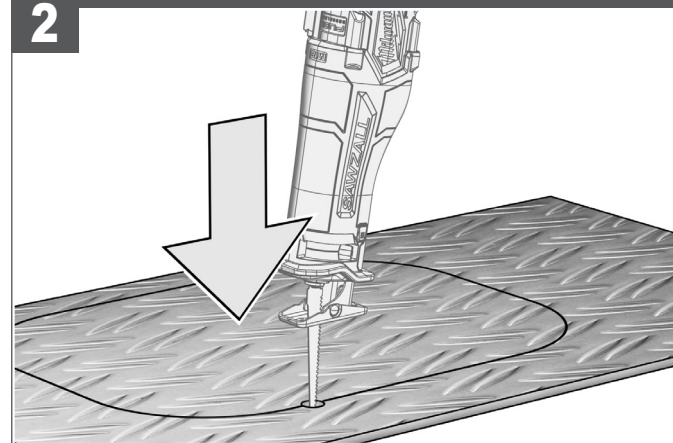
3



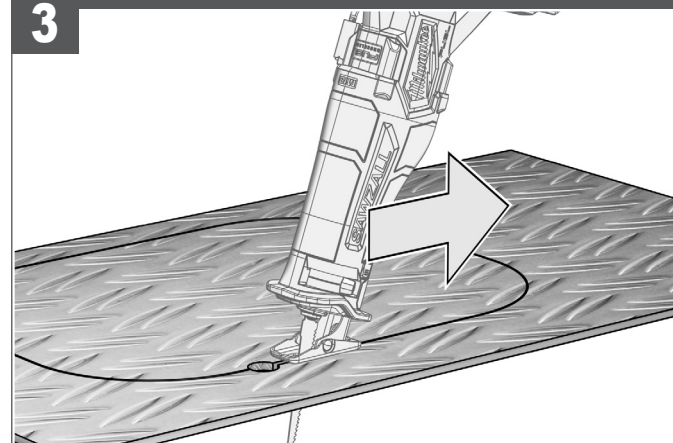
1



2



3



TECHNICAL DATA	CORDLESS RECIPROCATING SAW	M18 ONEFSZ
Production code.....	.....477908 03	.....000001-999999
Cutting depth max. in:		
Soft-wood.....	.....300 mm	
Steel.....	.....20 mm	
Aluminium.....	.....25 mm	
Non-ferrous metal.....	.....25 mm	
Metal pipe.....	.....150 mm	
Stroke rate.....	.....0-3000 min <sup>-1</sup>	
Lengths of stroke.....	.....32 mm	
Battery voltage.....	.....18 V	
Bluetooth version.....	.....4.2	
Frequency band.....	.....2400 – 2480 MHz	
Radio-frequency power.....	.....0 dBm	
Weight according EPTA-Procedure 01/2014 (2.0 Ah ... 12.0 Ah).....	.....3.5 ... 4.6 kg	
Recommended ambient operating temperature.....	.....-18...+50 °C	
Recommended battery types.....	.....M18B2... M18HB12	
Recommended charger.....	.....M12-18 ... ; M1418C6	

#### Noise/vibration information

Measured values determined according to EN 62841.

Typically, the A-weighted noise levels of the tool are:

Sound pressure level (Uncertainty K=3dB(A)).....	.....88, 15 dB (A)
Sound power level (Uncertainty K=3dB(A)).....	.....99, 15 dB (A)

#### Wear ear protectors!

Total vibration values (vector sum in the three axes) determined according to EN 62841.

Cutting board *1	
Vibration emission value a <sub>h,B</sub> .....	.....20, 18 m/s <sup>2</sup>
Uncertainty K=.....	.....1, 5 m/s <sup>2</sup>
Cutting wooden beam *2	
Vibration emission value a <sub>h,WB</sub> .....	.....19, 53 m/s <sup>2</sup>
Uncertainty K=.....	.....1, 5 m/s <sup>2</sup>

\*1 with saw blade bimetal, dimension 150 x 1.25 mm and tooth pitch 5 mm

\*2 with saw blade bimetal, dimension 230 x 1.25 mm and tooth pitch 5 mm

#### WARNING

The vibration and noise emission level given in this information sheet has been measured in accordance with a standardized test given in EN 62841 and may be used to compare one tool with another. It may be used for a preliminary assessment of exposure.

The declared vibration and noise emission level represents the main applications of the tool. However if the tool is used for different applications, with different accessories or poorly maintained, the vibration and noise emission may differ. This may significantly increase the exposure level over the total working period.

An estimation of the level of exposure to vibration and noise should also take into account the times when the tool is switched off or when it is running but not actually doing the job. This may significantly reduce the exposure level over the total working period.

Identify additional safety measures to protect the operator from the effects of vibration and/or noise such as: maintain the tool and the accessories, keep the hands warm, organization of work patterns.

**⚠ WARNING Read all safety warnings, instructions, illustrations and specifications provided with this power tool.** Failure to follow all instructions listed below may result in electric shock, fire and/or serious injury. **Save all warnings and instructions for future reference.**

#### ⚠ SABRE SAW SAFETY WARNINGS

**Hold the power tool by insulated gripping surfaces, when performing an operation where the cutting accessory may contact hidden wiring.** Cutting accessory contacting a "live" wire may make exposed metal parts of the power tool "live" and could give the operator an electric shock.

**Use clamps or another practical way to secure and support the workpiece to a stable platform.** Holding the work by your hand or against the body leaves it unstable and may lead to loss of control.

#### ADDITIONAL SAFETY AND WORKING INSTRUCTIONS

Use protective equipment. Always wear safety glasses when working with the machine. The use of protective clothing is recommended, such as dust mask, protective gloves, sturdy non-slip footwear, helmet and ear defenders.

The dust produced when using this tool may be harmful to health. Do not inhale the dust. Wear a suitable dust protection mask.

Do not machine any materials that present a danger to health (e.g. asbestos).

Switch the device off immediately if the insertion tool stalls! Do not switch the device on again while the insertion tool is stalled, as doing so could trigger a sudden recoil with a high reactive force. Determine why the insertion tool stalled and rectify this, paying heed to the safety instructions.

- The possible causes may be:
- it is tilted in the workpiece to be machined
  - it has pierced through the material to be machined
  - the power tool is overloaded

Do not reach into the machine while it is running.

The insertion tool may become hot during use.

- WARNING!** Danger of burns
- when changing tools
  - when setting the device down

Chips and splinters must not be removed while the machine is running.

When working in walls ceiling, or floor, take care to avoid electric cables and gas or waterpipes.

Clamp your workpiece with a clamping device. Unclamped workpieces can cause severe injury and damage.

Do not use cracked or distorted saw blades.

Plunge cuts without pre-drilling a hole are possible with soft materials (wood, light building materials for walls). Harder materials (metals) must first be drilled with a hole corresponding to the size of the saw blade.

Remove the battery pack before starting any work on the machine.

Do not dispose of used battery packs in the household refuse or by burning them. Milwaukee Distributors offer to retrieve old batteries to protect our environment.

Do not store the battery pack together with metal objects (short circuit risk).

No metal parts must be allowed to enter the battery section of the charger (short circuit risk).

Use only System 18 V chargers for charging System 18 V battery packs. Do not use battery packs from other systems.

Never break open battery packs and chargers and store only in dry rooms. Keep dry at all times.

Battery acid may leak from damaged batteries under extreme load or extreme temperatures. In case of contact with battery acid wash it off immediately with soap and water. In case of eye contact rinse thoroughly for at least 10 minutes and immediately seek medical attention.

**Warning!** To reduce the risk of fire, personal injury, and product damage due to a short circuit, never immerse your tool, battery pack or charger in fluid or allow a fluid to flow inside them. Corrosive or conductive fluids, such as seawater, certain industrial chemicals, and bleach or bleach containing products, etc., can cause a short circuit.

**⚠ WARNING** This device contains a lithium button/coin cell battery. A new or used battery can cause severe internal burns and lead to death in as little as 2 hours if swallowed or enters the body. Always secure the battery cover. If it does not close securely, stop using the device, remove the batteries, and keep it away from children. If you think batteries may have been swallowed or entered the body, seek immediate medical attention.

#### EC-DECLARATION OF CONFORMITY

We declare as the manufacturer under our sole responsibility that the product described under "Technical Data" fulfills all the relevant regulations and the directives 2011/65/EU (RoHS), 2014/30/EU, 2006/42/EC, and the following harmonized standards have been used:

EN 62841-1:2015  
EN 62841-2-11:2016+A1:2020  
EN 55014-1:2017+A11:2020  
EN 55014-2:2015  
EN 62479:2010  
EN 300 328 V2.2.2  
EN 301 489-1 V2.2.3  
EN 301 489-17 V3.2.4  
EN IEC 63000:2018

Winnenden, 2021-08-16



Alexander Krug  
Managing Director

Authorized to compile the technical file.

TECHTRONIC INDUSTRIES GMBH  
Max-Eyth-Straße 10  
71364 Winnenden  
Germany



#### GB-DECLARATION OF CONFORMITY

We declare as the manufacturer under our sole responsibility that the product described under "Technical Data" fulfills all the relevant provisions of the following Regulations S.I. 2008/1597 (as amended), S.I. 2016/1091 (as amended), S.I. 2012/3032 (as amended) and that the following designated standards have been used:

BS EN 62841-1:2015  
BS EN 62841-2-11:2016+A1:2020  
BS EN 55014-1:2017+A11:2020  
BS EN 55014-2:2015  
BS EN 62479:2010  
EN 300 328 V2.2.2  
EN 301 489-1 V2.2.3  
EN 301 489-17 V3.2.4  
BS EN IEC 63000:2018

Winnenden, 2021-08-16



Alexander Krug  
Managing Director

Authorized to compile the technical file.



TECHTRONIC INDUSTRIES GMBH  
Max-Eyth-Straße 10  
71364 Winnenden  
Germany


#### SPECIFIED CONDITIONS OF USE

This sabre saw cuts wood, plastic, and metal. It can cut straight lines, curves, and internal cut-outs. It cuts pipes and can cut flush to a surface.

Do not use this product in any other way as stated for normal use.

#### SELECTING MODE

Allow the tool to come to a complete stop before changing modes. Press the selector button  to cycle between the settings. Select wireless  to change the default settings via the ONE-KEY App on your smart device.

Cut brake  stop the Sawzall from cutting, once it fully cut through the workpiece.

#### ONE-KEY™

To learn more about the ONE-KEY functionality for this tool, please reference the Quick Start guide included with this product or go to [www.milwaukeeetool.com/one-key](http://www.milwaukeeetool.com/one-key). To download the ONE-KEY app, visit the App Store or Google Play from your smart device.

When the product experiences ESD, the speed LED shuts down and the product cannot adjust speed. It needs the battery and coin cell removed and reinserted to recover (see page 6 & 16).

Also, when the product experiences ESD, the Bluetooth communication will be disconnected. It needs to be reset manually to recover.

We considered the results to be within our minimum acceptable performance level according to EN 55014-2 / EN 301489-1 / EN 301489-17.

#### ELECTRIC BRAKE

The electric brake engages when the trigger is released, causing the blade to stop and allowing you to proceed with your work. Generally, the saw blade stops within two seconds. However, there may be a delay between the time you release the trigger and when the brake engages. Occasionally the brake may miss completely. If the brake misses frequently, the saw needs servicing by an authorized Milwaukee service facility.

You must always wait for the blade to stop completely before removing the saw from the workpiece.

## BATTERIES

Battery packs which have not been used for some time should be recharged before use.

Temperatures in excess of 50°C (122°F) reduce the performance of the battery pack. Avoid extended exposure to heat or sunshine (risk of overheating).

The contacts of chargers and battery packs must be kept clean.

For an optimum life-time, after use, the battery packs have to be fully charged.

To obtain the longest possible battery life remove the battery pack from the charger once it is fully charged.

For battery pack storage longer than 30 days:  
Store the battery pack where the temperature is below 27°C and away from moisture  
Store the battery packs in a 30% - 50% charged condition  
Every six months of storage, charge the pack as normal.

## BATTERY PACK PROTECTION

In extremely high torque, binding, stalling and short circuit situations that cause high current draw, the tool will stop for about 2 seconds and then the tool will turn OFF.

To reset, release the trigger.

Under extreme circumstances, the internal temperature of the battery could become too high. If this happens, the battery will shut down.

## TRANSPORTING LITHIUM BATTERIES

Lithium-ion batteries are subject to the Dangerous Goods Legislation requirements.

Transportation of those batteries has to be done in accordance with local, national and international provisions and regulations.

- The user can transport the batteries by road without further requirements.
- Commercial transport of Lithium-Ion batteries by third parties is subject to Dangerous Goods regulations. Transport preparation and transport are exclusively to be carried out by appropriately trained persons and the process has to be accompanied by corresponding experts.

When transporting batteries:

- Ensure that battery contact terminals are protected and insulated to prevent short circuit.
- Ensure that battery pack is secured against movement within packaging.
- Do not transport batteries that are cracked or leak.

Check with forwarding company for further advice

## MAINTENANCE

The ventilation slots of the machine must be kept clear at all times.

Use only Milwaukee accessories and spare parts. Should components need to be replaced which have not been described, please contact one of our Milwaukee service agents (see our list of guarantee/service addresses).

If needed, an exploded view of the tool can be ordered. Please state the machine type printed as well as the six-digit No. on the label and order the drawing at your local service agents or directly at: Techtron Industries GmbH, Max-Eyth-Straße 10, 71364 Winnenden, Germany.

## SYMBOLS



CAUTION! WARNING! DANGER!



Remove the battery pack before starting any work on the machine.



Please read the instructions carefully before starting the machine.



Do not swallow the coin cell battery!



Always wear goggles when using the machine.



Accessory - Not included in standard equipment, available as an accessory.



Do not dispose of waste batteries, waste electrical and electronic equipment as unsorted municipal waste. Waste batteries and waste electrical and electronic equipment must be collected separately.

Waste batteries, waste accumulators and light sources have to be removed from equipment.

Check with your local authority or retailer for recycling advice and collection point.

According to local regulations retailers may have an obligation to take back waste batteries and Waste electrical and electronic equipment free of charge.

Your contribution to re-use and recycling of waste batteries and waste electrical and electronic equipment helps to reduce the demand of raw materials.

Waste batteries, in particular containing lithium and waste Electrical and electronic equipment contain valuable, recyclable materials, which can adversely impact the environment and the human health, if not disposed of in an environmentally compatible manner. Delete personal data from waste equipment, if any.



Stroke rate under no-load



Volts



Direct current



European Conformity Mark



British Conformity Mark



Ukraine Conformity Mark



EurAsian Conformity Mark

## TECHNISCHE DATEN

## AKKU-SÄBELSÄGE

## M18 ONEFSZ

Produktionsnummer .....	477908 03
.....	...000001-999999
Schnitttiefe max. in:	
Weichholz .....	300 mm
Stahl .....	20 mm
Aluminium .....	25 mm
Buntmetall .....	25 mm
Metallrohre .....	150 mm
Leerlaufhubzahl .....	0-3000 min <sup>-1</sup>
Hubhöhe .....	32 mm
Spannung Wechselakku .....	18 V
Bluetooth-Version .....	4.2
Frequenzband .....	2400 – 2480 MHz
Sendeleistung .....	0 dBm
Gewicht nach EPTA-Prozedur 01/2014 (2,0 Ah - 12,0 Ah) .....	3,5 ... 4,6 kg
Empfohlene Umgebungstemperatur beim Arbeiten .....	-18 ... +50 °C
Empfohlene Akkutypen .....	M18B2... M18HB12
Empfohlene Ladegeräte .....	M12-18 ... ; M1418CB

## Geräusch/Vibrationsinformation

Messwerte ermittelt entsprechend EN 62841.

Der A-bewertete Geräuschpegel des Gerätes beträgt typischerweise:

Schalldruckpegel (Unsicherheit K=3dB(A)) .....	88,15 dB (A)
Schalleistungspegel (Unsicherheit K=3dB(A)) .....	99,15 dB (A)

## Gehörschutz tragen!

Schwingungsgesamtwerte (Vektorsumme dreier Richtungen) ermittelt entsprechend EN 62841.

Sägen von Spanplatte: \*1

Schwingungsemissionswert a <sub>n,B</sub> .....	20,18 m/s <sup>2</sup>
Unsicherheit K = .....	1,5 m/s <sup>2</sup>

Sägen von Holzbalken \*2

Schwingungsemissionswert a <sub>n,WB</sub> .....	19,53 m/s <sup>2</sup>
Unsicherheit K = .....	1,5 m/s <sup>2</sup>

\*1 mit Sägeblatt Bimetall, Größe 150 x 1,25 mm und Zahnteilung 5 mm

\*2 mit Sägeblatt Bimetall, Größe 230 x 1,25 mm und Zahnteilung 5 mm

## WARNUNG

Die angegebenen Schwingungsgesamtwerte und Geräuschemissionswerte wurden nach einem genormten Messverfahren gemäß EN 62841 gemessen und können für den Vergleich von Elektrowerkzeugen miteinander verwendet werden. Es kann für eine vorläufige Einschätzung der Belastung verwendet werden.

Der angegebene Schwingungs- und Geräuschemissionspegel repräsentiert die hauptsächlichsten Anwendungen des Elektrowerkzeugs. Wenn allerdings das Elektrowerkzeug für andere Anwendungen, mit abweichenden Einsatzwerkzeugen oder ungenügender Wartung eingesetzt wird, können sich die Schwingungs- und Geräuschemissionen unterscheiden. Dies kann deren Wirkung über den gesamten Arbeitszeitraum deutlich erhöhen.

Bei der Abschätzung der Belastung durch Schwingungen und Lärm sollten auch die Zeiten berücksichtigt werden, in denen das Elektrowerkzeug ausgeschaltet ist oder zwar läuft, aber keine tatsächliche Arbeit verrichtet wird. Dies kann deren Wirkung über den gesamten Arbeitszeitraum deutlich reduzieren.

Legen Sie zusätzliche Sicherheitsmaßnahmen zum Schutz des Bedieners vor den Auswirkungen von Schwingungen- und / oder Lärm fest, wie z. B.:  
Wartung des Werkzeugs und des Zubehörs, Warmhalten der Hände, Organisation der Arbeitsabläufe.



## WARNUNG! Lesen Sie alle Sicherheitshinweise, Anweisungen, Darstellungen und Spezifikationen für dieses Elektrowerkzeug.

Versäumnisse bei der Einhaltung der nachstehenden Anweisungen können elektrischen Schlag, Brand und/oder schwere Verletzungen verursachen.



## SICHERHEITSHINWEISE FÜR SÄBELSÄGEN

Halten Sie das Elektrowerkzeug an den isolierten Griffflächen, wenn Sie Arbeiten ausführen, bei denen das Einsatzwerkzeug verborgene Stromleitungen treffen kann.

Der Kontakt mit einer spannungsführenden Leitung kann metallene Geräteteile unter Spannung setzen und zu einem elektrischen Schlag führen.

Befestigen und sichern Sie das Werkstück mittels Zwingen oder auf andere Art und Weise an einer stabilen Unterlage. Wenn Sie das Werkstück nur mit der Hand oder gegen Ihren Körper halten, bleibt es labil, was zum Verlust der Kontrolle führen kann.

## WEITERE SICHERHEITS- UND ARBEITSHINWEISE

Schutzausrüstung verwenden. Beim Arbeiten mit der Maschine stets Schutzhelme tragen. Schutzkleidung wie Staubschutzmaske, Schutzhandschuhe, festes und rutschsicheres Schuhwerk, Helm und Gehörschutz werden empfohlen.

Beim Arbeiten entstehender Staub ist oft gesundheitsschädlich und sollte nicht in den Körper gelangen. Geeignete Staubschutzmaske tragen.

Es dürfen keine Materialien bearbeitet werden, von denen eine Gesundheitsgefährdung ausgeht (z.B. Asbest).

Beim Blockieren des Einsatzwerkzeuges bitte das Gerät sofort ausschalten! Schalten Sie das Gerät nicht wieder ein, solange das Einsatzwerkzeug blockiert ist; hierbei könnte ein Rückschlag mit hohem Reaktionsmoment entstehen. Ermitteln und beheben Sie die Ursache für die Blockierung des Einsatzwerkzeuges unter Berücksichtigung der Sicherheitshinweise.

Mögliche Ursachen dafür können sein:

- Verkanten im zu bearbeitenden Werkstück
- Durchbrechen des zu bearbeitenden Materials
- Überlasten des Elektrowerkzeuges

Greifen Sie nicht in die laufende Maschine.

Das Einsatzwerkzeug kann während der Anwendung heiß werden.

**WARNUNG!** Verbrennungsgefahr

- bei Werkzeugwechsel
- bei Ablegen des Gerätes

Späne oder Splitter dürfen bei laufender Maschine nicht entfernt werden.

Beim Arbeiten in Wand, Decke oder Fußboden auf elektrische Kabel, Gas- und Wasserleitungen achten.

Sichern Sie Ihr Werkstück mit einer Spannvorrichtung. Nicht gesicherte Werkstücke können schwere Verletzungen und Beschädigungen verursachen.

Rissige Sägeblätter oder solche, die ihre Form verändert haben, dürfen nicht verwendet werden!

Tauchsägen ist nur in weicheren Materialien (Holz, Leichtbaustoffe für Wände) möglich, bei härteren Materialien (Metalle) muss eine dem Sägeblatt entsprechend große Bohrung angebracht werden.

Vor allen Arbeiten an der Maschine den Wechselakku herausnehmen

Verbrauchte Wechselakkus nicht ins Feuer oder in den Hausmüll werfen. Milwaukee bietet eine umweltgerechte Alt-Wechselakku-Entsorgung an; bitte fragen Sie Ihren Fachhändler.

Wechselakkus nicht zusammen mit Metallgegenständen aufbewahren (Kurzschlussgefahr).

In den Wechselakku-Einschubschacht der Ladegeräte dürfen keine Metallteile gelangen (Kurzschlussgefahr).

Wechselakkus des Systems 18 V nur mit Ladegeräten des Systems 18 V laden. Keine Akkus aus anderen Systemen laden.

Wechselakkus und Ladegeräte nicht öffnen und nur in trockenen Räumen lagern. Vor Nässe schützen.

Unter extremer Belastung oder extremer Temperatur kann aus beschädigten Wechselakkus Batterieflüssigkeit auslaufen. Bei Berührung mit Batterieflüssigkeit sofort mit Wasser und Seife abwaschen. Bei Augenkontakt sofort mindestens 10 Minuten gründlich spülen und unverzüglich einen Arzt aufsuchen.

**Warnung!** Um die durch einen Kurzschluss verursachte Gefahr eines Brandes, von Verletzungen oder Produktbeschädigungen zu vermeiden, tauchen Sie das Werkzeug, den Wechselakku oder das Ladegerät nicht in Flüssigkeiten ein und sorgen Sie dafür, dass keine Flüssigkeiten in die Geräte und Akkus eindringen. Korrodierende oder leitfähige Flüssigkeiten, wie Salzwasser, bestimmte Chemikalien und Bleichmittel oder Produkte, die Bleichmittel enthalten, können einen Kurzschluss verursachen.

**! WARNUNG!** Dieses Gerät enthält eine Lithium-Knopfzellenbatterie. Eine neue oder gebrauchte Batterie kann schwere innere Verbrennungen verursachen und in weniger als 2 Stunden zum Tod führen, wenn sie verschluckt wird oder in den Körper gelangt. Sichern Sie immer den Batteriefachdeckel.

Wenn er nicht sicher schließt, schalten Sie das Gerät aus, entfernen Sie die Batterie und halten Sie sie von Kindern fern. Wenn Sie glauben, dass Batterien verschluckt wurden oder in den Körper gelangt sind, suchen Sie sofort ärztliche Hilfe auf.

## EG-KONFORMITÄTSERKLÄRUNG

Wir erklären als Hersteller in alleiniger Verantwortung, dass das unter „Technische Daten“ beschriebene Produkt mit allen relevanten Vorschriften der Richtlinien 2011/65/EU (RoHS), 2014/30/EU, 2006/42/EG und den folgenden harmonisierten normativen Dokumenten übereinstimmt:

EN 62841-1:2015  
EN 62841-2-11:2016/A1:2020  
EN 55014-1:2017/A11:2020  
EN 55014-2:2015  
EN 62479:2010  
EN 300 328 V2.2.2  
EN 301 489-1 V2.2.3  
EN 301 489-17 V3.2.4  
EN IEC 63000:2018

Winnenden, 2021-08-16

Alexander Krug  
Managing Director



Bevollmächtigt die technischen Unterlagen zusammenzustellen

Techtronic Industries GmbH  
Max-Eyth-Straße 10  
71364 Winnenden  
Germany

## BESTIMMUNGSGEMÄSSE VERWENDUNG

Die Säbelsäge sägt Holz, Kunststoff und Metall. Sie schneidet Geraden, Kurven und Innenausschnitte. Sie schneidet Rohre und trennt flächenbündig ab.

Dieses Gerät darf nur wie angegeben bestimmungsgemäß verwendet werden.

## WAHL DER BETRIEBSART

Vor dem Ändern der Betriebsart abwarten, bis das Gerät vollkommen stillsteht. Um die Einstellungen zu ändern, die Taste drücken. Die WLAN-Taste drücken, um die voreingestellten Werte über die ONE-KEY App auf Ihrem Smartphone zu ändern.

Automatischer Sägestop : stoppt die Säbelsäge, nachdem das Material vollständig durchgesägt wurde.

## ONE-KEY™

Um mehr über die ONE-KEY Funktionalität dieses Werkzeugs zu erfahren, lesen Sie die beiliegende Schnellstartanleitung oder besuchen Sie uns im Internet unter [www.milwaukeeetool.com/one-key](http://www.milwaukeeetool.com/one-key). Sie können die ONE-KEY App über den App Store oder Google Play auf Ihr Smartphone herunterladen.

Wenn das Gerät durch elektrostatische Entladungen gestört wird, geht die LED-Geschwindigkeitsanzeige aus und die Geschwindigkeit lässt sich nicht mehr regulieren. In diesem Fall den Wechselakku und die Knopfzelle entnehmen und erneut einsetzen (siehe Seite 6 und Seite 16).

Durch elektrostatische Entladungen verursachte Störungen führen auch zur Unterbrechung der Bluetooth-Kommunikation. In diesem Fall muss die Bluetooth-Verbindung manuell wieder hergestellt werden.

Die Prüfergebnisse erfüllen unsere Mindestanforderungen gemäß EN 55014-2 / EN 301489-1 / EN 301489-17.

## ELEKTRISCHE BREMSE

Bei Loslassen des Schalterdrückers wird das Sägeblatt innerhalb von ca. 2 Sekunden durch die elektrische Bremse gestoppt. Allerdings kann die elektrische Bremse auch verzögert wirken. Gelegentlich ist die elektrische Bremse nicht wirksam. Sollte die elektrische Bremse häufiger nicht wirken, muss die Säge zu einer autorisierten Milwaukee Servicestelle gebracht werden.

Erst nach Stillstand des Sägeblattes die Säge aus dem Werkstück ziehen.

## AKKUS

Längere Zeit nicht benutzte Wechselakkus vor Gebrauch nachladen.

Eine Temperatur über 50°C vermindert die Leistung des Wechselakkus. Längere Erwärmung durch Sonne oder Heizung vermeiden.

Die Anschlusskontakte an Ladegerät und Wechselakku sauber halten.

Für eine optimale Lebensdauer müssen nach dem Gebrauch die Akkus voll geladen werden.

Für eine möglichst lange Lebensdauer sollten die Akkus nach dem Aufladen aus dem Ladegerät entfernt werden.

Bei Lagerung des Akkus länger als 30 Tage:  
Akku bei ca. 27°C und trocken lagern.  
Akku bei ca. 30%-50% des Ladezustandes lagern.  
Akku alle 6 Monate erneut aufladen.

## AKKUÜBERLASTSCHUTZ

Bei Überlastung des Akkus durch sehr hohen Stromverbrauch, z.B. extrem hohe Drehmomente, Verklemmen des Sägeblattes, plötzlichem Stopp oder Kurzschluss, stoppt das Elektrowerkzeug 2 Sekunden lang und schaltet sich selbsttätig ab. Zum Wiedereinschalten, den Schalterdrücker loslassen und dann wieder einschalten. Unter extremen Belastungen kann sich der Akku stark erhitzen. In diesem Fall schaltet der Akku ab.

## TRANSPORT VON LITHIUM-IONEN-AKKUS

Lithium-Ionen-Akkus fallen unter die gesetzlichen Bestimmungen zum Gefahrguttransport.

Der Transport dieser Akkus muss unter Einhaltung der lokalen, nationalen und internationalen Vorschriften und Bestimmungen erfolgen.

- Verbraucher dürfen diese Akkus ohne Weiteres auf der Straße transportieren.
- Der kommerzielle Transport von Lithium-Ionen-Akkus durch Speditionsunternehmen unterliegt den Bestimmungen des Gefahrguttransports. Die Versandvorbereitungen und der Transport dürfen ausschließlich von entsprechend geschulten Personen durchgeführt werden. Der gesamte Prozess muss fachmännisch begleitet werden.

Folgende Punkte sind beim Transport von Akkus zu beachten:

- Stellen Sie sicher, dass die Kontakte geschützt und isoliert sind, um Kurzschlüsse zu vermeiden.
- Achten Sie darauf, dass der Akkupack innerhalb der Verpackung nicht verrutschen kann.
- Beschädigte oder auslaufende Akkus dürfen nicht transportiert werden.

Wenden Sie sich für weitere Hinweise an Ihr Speditionsunternehmen.

## WARTUNG

Stets die Lüftungsschlitze der Maschine sauber halten.

Nur Milwaukee Zubehör und Milwaukee Ersatzteile verwenden. Bauteile, deren Austausch nicht beschrieben wurde, bei einer Milwaukee Kundendienststelle auswechseln lassen (Broschüre Garantie/ Kundendienstadressen beachten).

Bei Bedarf kann eine Explosionszeichnung des Gerätes unter Angabe der Maschinen Type und der sechsstelligen Nummer auf dem Leistungsschild bei Ihrer Kundendienststelle oder direkt bei Techtronic Industries GmbH, Max-Eyth-Straße 10, 71364 Winnenden, Germany angefordert werden.

## SYMBOLE



ACHTUNG! WARNUNG! GEFAHR!



Vor allen Arbeiten an der Maschine den Wechselakku herausnehmen



Bitte lesen Sie die Gebrauchsanweisung vor Inbetriebnahme sorgfältig durch.



Knopfzellenbatterie nicht verschlucken!



Beim Arbeiten mit der Maschine stets Schutzhülle tragen.



Zubehör - Im Lieferumfang nicht enthalten, empfohlene Ergänzung aus dem Zubehörprogramm.



Altbatterien, Elektro- und Elektronik-Altgeräte dürfen nicht zusammen mit dem Hausmüll entsorgt werden. Altbatterien, Elektro- und Elektronik-Altgeräte sind getrennt zu sammeln und zu entsorgen. Entfernen Sie Altbatterien, Alttakkumulatorm und Leuchtmittel vor dem Entsorgen aus den Geräten. Erkundigen Sie sich bei den örtlichen Behörden oder bei Ihrem Fachhändler nach Recyclinghöfen und Sammelstellen.

Je nach den örtlichen Bestimmungen können Einzelhändler verpflichtet sein, Altbatterien, Elektro- und Elektronik-Altgeräte kostenlos zurückzunehmen. Tragen Sie durch Wiederverwendung und Recycling Ihrer Altbatterien, Elektro- und Elektronik-Altgeräte dazu bei, den Bedarf an Rohmaterialien zu verringern. Altbatterien (vor allem Lithium-Ionen-Batterien), Elektro- und Elektronik-Altgeräte enthalten wertvolle, wiederverwertbare Materialien, die bei nicht umweltgerechter Entsorgung negative Auswirkungen auf die Umwelt und Ihre Gesundheit haben können. Löschen Sie vor der Entsorgung möglicherweise auf Ihrem Altgerät vorhandene personenbezogene Daten.



Leerlaufhubzahl



Spannung



Gleichstrom



Europäisches Konformitätszeichen



Britisches Konformitätszeichen



Ukrainisches Konformitätszeichen

Euroasiatisches Konformitätszeichen

CARACTÉRISTIQUES TECHNIQUES	SCIE SABRE SANS FIL	M18 ONEFSZ
Numéro de série.....	.....477908 03	.....000001-999999
Profondeur de coupe max. :		
Bois tendre .....	300 mm	
Acier .....	20 mm	
Aluminium.....	25 mm	
Métal lourd non-ferreux .....	25 mm	
Tubes métalliques .....	150 mm	
Nombre de courses à vide.....	0-3000 min <sup>-1</sup>	
Hauteur de la course.....	32 mm	
Tension accu interchangeable .....	18 V	
Version Bluetooth .....	4.2	
Bande de fréquence .....	2400 – 2480 MHz	
Puissance de radiofréquence .....	0 dBm	
Poids suivant EPTA-Procédure 01/2014 (2,0 Ah - 12,0 Ah) .....	3,5 ... 4,6 kg	
Température conseillée lors du travail .....	-18 ... +50 °C	
Batteries conseillées.....	M18B2... M18HB12	
Chargeurs de batteries conseillés .....	M12-18 ... ; M1418C6	

### Informations sur le bruit et les vibrations

Valeurs de mesure obtenues conformément à la EN 62841.

La mesure réelle (A) du niveau de bruit de l'outil est

Niveau de pression acoustique (Incertitude K=3dB(A)) .....88,15 dB (A)

Niveau d'intensité acoustique (Incertitude K=3dB(A)).....99,15 dB (A)

### Toujours porter une protection acoustique!

Valeurs totales des vibrations (somme vectorielle de trois sens)

établies conformément à EN 62841.

Sciage du bois \*1

Valeur d'émission vibratoire  $a_{h,b}$  .....20,18 m/s<sup>2</sup>

Incertitude K= .....1,5 m/s<sup>2</sup>

Découpe de poutres en bois \*2

Valeur d'émission vibratoire  $a_{h,WB}$  .....19,53 m/s<sup>2</sup>

Incertitude K= .....1,5 m/s<sup>2</sup>

\*1 avec lame de scie bimétal, dimension 150 x 1,25 mm et pas de dent 5 mm

\*2 avec lame de scie bimétal, dimension 230 x 1,25 mm et pas de dent 5 mm

### AVERTISSEMENT

Le niveau de vibration et d'émissions sonores indiqué dans cette fiche de données a été mesuré en respect d'une méthode standard de test selon la norme EN 62841 et peut être utilisé pour comparer les outils entre eux. Il peut être utilisé pour évaluation préliminaire de l'exposition.

Le niveau de vibration et d'émissions sonores déclaré correspond à l'application principale de l'outil. Cependant, si l'outil est utilisé pour des applications différentes, avec différents accessoires ou est mal entretenu, les vibrations et les émissions sonores peuvent différer. Cela peut augmenter considérablement le niveau d'exposition au cours de la période de travail totale.

Une estimation du niveau d'exposition aux vibrations et au bruit devrait également tenir compte des temps d'arrêt de l'outil ou des périodes où il est en marche mais n'effectue pas réellement le travail. Cela peut réduire considérablement le niveau d'exposition au cours de la période de travail totale.

Identifier des mesures de sécurité supplémentaires pour protéger l'opérateur des effets des vibrations et/ou du bruit tels que : l'entretien de l'outil et des accessoires, le maintien au chaud des mains, l'organisation des processus de travail.

**AVERTISSEMENT! Lire tous les avertissements de sécurité, les instructions opérationnelles, les illustrations et les spécifications fournies avec cet outil électrique.** La non observance des instructions mentionnées ci-dessous peut causer des chocs électriques, des incendies ou de graves blessures.

### CONSIGNES DE SÉCURITÉ CONCERNANT LES SCIES SABLES

Tenir l'outil électrique par des surfaces de préhension isolées pendant toute opération au cours de laquelle l'accessoire de coupe peut entrer en contact avec des fils dissimulés. Des accessoires de coupe entrant en contact avec un fil "actif" peuvent rendre "actives" des parties métalliques accessibles de l'outil électrique et provoquer un choc électrique chez l'opérateur.

Utiliser des pinces ou un autre moyen pratique pour fixer et soutenir la pièce à usiner sur une plateforme stable. Lorsqu'elle est tenue avec la main ou contre le corps, la pièce à usiner reste instable et cela peut conduire à une perte de contrôle.

### AVIS COMPLÉMENTAIRES DE SÉCURITÉ ET DE TRAVAIL

Utiliser l'équipement de protection. Toujours porter des lunettes de protection pendant le travail avec la machine. Il est recommandé de porter des articles de protection, tels que masque antipoussière, gants de protection, chaussures tenant bien aux pieds et antidérapantes, casque et protection acoustique.

Les poussières qui sont dégagées pendant les travaux sont souvent nocives pour la santé et ne devraient pas pénétrer dans le corps. Porter un masque de protection approprié contre les poussières.

Il est interdit de travailler des matériaux dangereux pour la santé (par ex. amiante).

Désactiver immédiatement le dispositif en cas de blocage ! Ne pas réactiver le dispositif avec l'outil bloqué; il y a le risque de provoquer un contre-coup avec moment de réaction élevé. Établir et éliminer la cause du blocage de l'outil en prêtant attention aux consignes de sécurité.

Les causes possibles sont :

- Encastrement dans la pièce à travailler.
- Le dispositif a traversé le matériau à travailler en le cassant.
- Le dispositif électrique a été surchargé.

Ne pas approcher les maïs de la partie en mouvement de la machine.

Durant l'utilisation, l'outil peut se surchauffer.

**AVERTISSEMENT!** Danger de brûlures

- durant le remplacement de l'outil
- durant la dépose de l'outil

Ne jamais enlever les copeaux ni les éclats lorsque la machine est en marche.

Lors du perçage dans les murs, les plafonds ou les planchers, toujours faire attention aux câbles électriques et aux conduites de gaz et d'eau.

Fixer fermement la pièce en exécution à l'aide d'un dispositif de serrage. Des pièces en exécution non fermement fixées peuvent provoquer des dommages et des lésions graves.

Ne pas utiliser de lames de scie fissurées ou déformées.

Le sciage en plongée n'est possible que dans des matériaux tendres (bois, matériaux de construction légers pour les murs). Si les matériaux sont plus durs (métaux), une perçée plus importante doit être faite au moyen de la lame.

Avant tous travaux sur la machine retirer l'accu interchangeable.

Ne pas jeter les accus interchangeables usés au feu ou avec les déchets ménagers. Milwaukee offre un système d'évacuation écologique des accus usés.

Ne pas conserver les accus interchangeables avec des objets métalliques (risque de court-circuit)

Aucune pièce métallique ne doit pénétrer dans le logement d'accu du chargeur (risque de court-circuit)

Ne charger les accus interchangeables du système 18 V qu'avec le chargeur d'accus du système 18 V. Ne pas charger des accus d'autres systèmes.

Ne pas ouvrir les accus interchangeables et les chargeurs et ne les stocker que dans des locaux secs. Les protéger contre l'humidité.

En cas de conditions ou températures extrêmes, du liquide caustique peut s'échapper d'un accu interchangeable endommagé. En cas de contact avec le liquide caustique de la batterie, laver immédiatement avec de l'eau et du savon. En cas de contact avec les yeux, rincer soigneusement avec de l'eau et consulter immédiatement un médecin.

**AVERTISSEMENT!** Pour réduire le risque d'incendie, de blessures corporelles et de dommages causés par un court-circuit, ne jamais immerger l'outil, le bloc-piles ou le chargeur dans un liquide ou laisser couler un fluide à l'intérieur de celui-ci. Les fluides corrosifs ou conducteurs, tels que l'eau de mer, certains produits chimiques industriels, les produits de blanchiment ou de blanchiment, etc., peuvent provoquer un court-circuit.

**AVERTISSEMENT !** Ce dispositif contient une batterie bouton au lithium.

Une batterie neuve ou déjà utilisée peut causer de graves brûlures internes et provoquer la mort en moins de 2 heures en cas d'ingestion ou si elle pénètre à l'intérieur du corps. Toujours fermer d'une manière sûre le couvercle du logement de la batterie.

En cas de couvercle défectueux, désactiver le dispositif, enlever la batterie et la garder hors de la portée des enfants.

Si l'on soupçonne que des batteries ont été ingérées ou que des batteries ont pénétrées dans le corps, consulter un médecin immédiatement.

### DÉCLARATION CE DE CONFORMITÉ

Nous déclarons, en tant que fabricant et sous notre seule responsabilité, que le produit décrit dans « Données techniques » est conforme à toutes les dispositions pertinentes des directives 2011/65/UE (RoHS), 2014/30/UE, 2006/42/CE et des documents normatifs harmonisés suivants :

EN 62841-1:2015

EN 62841-2-11:2016/A1:2020

EN 55014-1:2017/A11:2020

EN 55014-2:2015

EN 62479:2010

EN 300 328 V2.2.2

EN 301 489-1 V2.2.3

EN 301 489-17 V3.2.4

EN IEC 63000:2018

Winnenden, 2021-08-16

*Alexander Krug*

Alexander Krug  
Managing Director



Autorisé à compiler la documentation technique.

Techtronic Industries GmbH  
Max-Eyth-Straße 10  
71364 Winnenden  
Germany

### UTILISATION CONFORME AUX PRESCRIPTIONS

La scie sabre permet de scier du bois, des matières synthétiques et des métaux. Elle permet des découpes rectilignes et curvilignes et des découpes intérieures. Elle permet de découper des tuyaux au ras des murs.

Comme déjà indiqué, cette machine n'est conçue que pour être utilisée conformément aux prescriptions.

### SÉLECTION DU MODE DE FONCTIONNEMENT

Avant de sélectionner un mode de fonctionnement différent, attendre l'arrêt complet du dispositif. Pour modifier les paramètres, appuyer sur la touche . Appuyer sur la touche WLAN pour modifier les valeurs actuelles à partir de l'application ONE-KEY présente sur votre smartphone.

Arrêt automatique de la scie arrête la scie alternative une fois que le matériau a été complètement scié.

### ONE-KEY™

Pour tout renseignement complémentaire sur la fonction ONE-KEY de cet appareil, lire les instructions rapides annexées ou consulter notre page Internet [www.milwaukeeetool.com/one-key](http://www.milwaukeeetool.com/one-key). L'application ONE-KEY peut être téléchargée à partir de l'App Store ou de Google Play sur votre smartphone.

Si le dispositif est perturbé par des décharges électrostatiques, le DEL indiquant la vitesse s'éteint et il ne sera plus possible de régler la vitesse. Dans ce cas il est nécessaire d'enlever la batterie rechargeable et la batterie bouton et les réinsérer (voir page 6 et page 16). Les perturbations causées par les décharges électrostatiques interrompent également la communication Bluetooth. Dans ce cas la connexion Bluetooth devra être rétablie manuellement. Les résultats d'essai répondent à nos exigences min. suivant EN 55014-2 / EN 301489-1 / EN 301489-17.

### FREIN ELECTRIQUE

Dès que le poussoir de l'interrupteur est relâché, la lame de scie est stoppée par le frein électrique en l'espace d'environ 2 secondes. Toutefois, le frein électrique peut aussi agir avec retardement. Le frein électrique n'est parfois pas efficace. Si le frein électrique est fréquemment sans effet, la scie doit être remise à un centre de service agréé Milwaukee. C'est seulement après l'immobilisation de la lame de scie que la scie doit être retirée de la pièce à œuvrer.

### ACCUS

Recharger les accus avant utilisation après une longue période de non utilisation.

Une température supérieure à 50°C amoindrit la capacité des accus. Eviter les expositions prolongées au soleil ou au chauffage.

Tenir propres les contacts des accus et des chargeurs.

Après l'usage, les accus doivent être chargés entièrement pour une durée de vie optimale.

Pour une plus longue durée de vie, enlever les batteries du chargeur de batterie quand celles-ci seront chargées.

En cas d'entreposage de la batterie pour plus de 30 jours:  
Entreposer la batterie à 27°C environ dans un endroit sec.  
Entreposer la batterie avec une charge d'environ 30% - 50%.  
Recharger la batterie tous les 6 mois.

## PROTECTION DE L'ACCU CONTRE LES SURCHARGES

En cas de surcharge de l'accu suite à une consommation de courant très élevée, par exemple des couples extrêmement hauts, un coincement, un arrêt soudain ou un court-circuit, l'outil électrique se met à bourdonner pendant 2 secondes et s'éteint automatiquement.  
Pour le remettre en marche, il faut relâcher le poussoir de commutateur, puis l'enclencher à nouveau.  
Il se peut que l'accu s'échauffe fortement s'il est soumis à des sollicitations extrêmes. Dans ce cas, il se déconnecte.

## TRANSPORT DE BATTERIES LITHIUM-ION

Les batteries lithium-ion sont soumises aux dispositions législatives concernant le transport de produits dangereux.

Le transport de ces batteries devra s'effectuer dans le respect des dispositions et des normes locales, nationales et internationales.

- Les utilisateurs peuvent transporter ces batteries sans restrictions.
- Le transport commercial de batteries lithium-ion est réglé par les dispositions concernant le transport de produits dangereux. La préparation au transport et le transport devront être effectués uniquement par du personnel formé de façon adéquate. Tout le procédé devra être géré d'une manière professionnelle.

Durant le transport de batteries il faut respecter les consignes suivantes :

- S'assurer que les contacts soient protégés et isolés en vue d'éviter des courts-circuits.
- S'assurer que le groupe de batteries ne puisse pas se déplacer à l'intérieur de son emballage.
- Des batteries endommagées ou des batteries perdant du liquide ne devront pas être transportées.

Pour tout renseignement complémentaire veuillez vous adresser à votre transporteur professionnel.

## ENTRETIEN

Tenir toujours propres les orifices de ventilation de la machine.

Utiliser uniquement les accessoires Milwaukee et les pièces détachées Milwaukee. Faire remplacer les composants dont le remplacement n'a pas été décrit, par un des centres de service après-vente Milwaukee (observer la brochure avec les adresses de garantie et de service après-vente).

En cas de besoin il est possible de demander un dessin éclaté du dispositif en indiquant le modèle de la machine et le numéro de six chiffres imprimé sur la plaquette de puissance et en s'adressant au centre d'assistance technique ou directement à Techtronic Industries GmbH, Max-Eyth-Straße 10, 71364 Winnenden, Germany.

## SYMBOLES



ATTENTION! AVERTISSEMENT! DANGER!



Avant tous travaux sur la machine retirer l'accu interchangeable.



Veuillez lire avec soin le mode d'emploi avant la mise en service



Ne pas ingérer des batteries bouton.



Toujours porter des lunettes protectrices en travaillant avec la machine.



Accessoires - Ces pièces ne font pas partie de la livraison. Il s'agit là de compléments recommandés pour votre machine et énumérés dans le catalogue des accessoires.



Les déchets de piles et les déchets d'équipements électriques et électroniques (déchets d'équipements électriques et électroniques) ne sont pas à éliminer dans les déchets ménagers. Les déchets de piles et les déchets d'équipements électriques et électroniques doivent être collectés et éliminés séparément. Retirez les déchets de piles, les déchets d'accumulateurs et les ampoules des appareils avant de les jeter.

S'adresser aux autorités locales ou au détaillant spécialisé en vue de connaître l'emplacement des centres de recyclage et des points de collecte. Selon les réglementations locales, les détaillants peuvent être tenus de reprendre gratuitement les déchets de piles et les déchets d'équipements électriques et électroniques.

Contribuez à réduire la demande de matières premières en réutilisant et en recyclant vos déchets de piles et d'équipements électriques et électroniques.

Les déchets de piles (surtout les piles au lithium-ion) et les déchets d'équipements électriques et électroniques comportent des matériaux précieux et recyclables qui peuvent avoir des impacts négatifs sur l'environnement et sur votre santé s'ils ne sont pas éliminés de manière écologique.

Avant de mettre au rebut votre ancien appareil, supprimez les données personnelles qui pourraient s'y trouver.



Nombre de courses à vide



Voltage



Courant continu

Marque de conformité européenne



Marque de conformité britannique



Marque de conformité ukrainienne



Marque de conformité d'Eurasie

## DATI TECNICI

## SEGA DRITTA A BATTERIA

## M18 ONEFSZ

Numero di serie .....477908 03  
.....000001-999999

Massima profondità di taglio nel:

Legno tenero .....	300 mm
Acciaio .....	20 mm
Alluminio .....	25 mm
Metallo non ferroso .....	25 mm
Tubi metallici .....	150 mm
Numero di corse a vuoto .....	0-3000 min <sup>-1</sup>
Altezza corsa .....	32 mm
Tensione batteria .....	18 V
Versione Bluetooth .....	4.2
Bande di frequenza .....	2400 - 2480 MHz
Potenza a radiofrequenza .....	0 dBm
01/2014 (2,0 Ah - 12,0 Ah) .....	3,5 ... 4,6 kg
Temperatura consigliata durante il lavoro .....	-18 ... +50 °C
Batterie consigliate .....	M18B2... M18HB12
Caricatori consigliati .....	M12-18 ... ; M1418C6

## Informazioni sulla rumorosità/sulle vibrazioni

Valori misurati conformemente alla norma EN 62841.

La misurazione A della pressione del livello sonoro di un utensile di solito deve essere

Livello di rumorosità (Incertezza della misura K=3dB(A)) .....	88,15 dB (A)
Potenza della rumorosità (Incertezza della misura K=3dB(A)) .....	99,15 dB (A)

## Utilizzare le protezioni per l'udito!

Valori totali delle oscillazioni (somma di vettori in tre direzioni) misurati conformemente alla norma EN 62841

Segatura di legno \*1

Valore di emissione dell'oscillazione a <sub>h,B</sub> .....	20,18 m/s <sup>2</sup>
Incertezza della misura K= .....	1,5 m/s <sup>2</sup>

Taglio di travi di legno \*2

Valore di emissione dell'oscillazione a <sub>h,VB</sub> .....	19,53 m/s <sup>2</sup>
Incertezza della misura K= .....	1,5 m/s <sup>2</sup>

\*1 con lama di sega bimetal, dimensioni 150 x 1,25 mm e passo dei denti 5 mm

\*2 con lama di sega bimetal, dimensioni 230 x 1,25 mm e passo dei denti 5 mm

## AVVERTENZA

Il/i valore/i di emissione acustica riportato/i in questa scheda informativa sono stati misurati conformemente a un metodo di prova standard sulla base della norma EN 62841 e possono essere utilizzati per confrontare gli utensili tra loro. Può/possono essere utilizzato/i anche per una valutazione preliminare dell'esposizione.

Il livello di vibrazione ed emissione acustica dichiarato rappresenta le applicazioni principali dell'utensile. Tuttavia, se l'utensile è utilizzato per applicazioni diverse, con accessori differenti o una manutenzione non adeguata, la vibrazione e l'emissione acustica potrebbero variare. Ciò può aumentare significativamente il livello di esposizione durante l'intera durata del lavoro.

Una stima del livello di esposizione alle vibrazioni e al rumore dovrebbe tenere conto anche dei periodi in cui l'utensile è spento o è in funzione ma non sta lavorando. Ciò può ridurre significativamente il livello di esposizione durante l'intera durata del lavoro.

Identificare le misure di sicurezza supplementari per proteggere l'operatore dagli effetti delle vibrazioni e/o del rumore, ad esempio eseguendo la manutenzione dell'utensile e degli accessori, mantenendo le mani calde e organizzando gli schemi di lavoro.



**AVVERTENZA! Leggere tutte le avvertenze di sicurezza, istruzioni operative, illustrazioni e specifiche fornite con questo elettroutensile.** Il mancato rispetto delle istruzioni di seguito riportate può causare scosse elettriche, incendi e/o lesioni gravi.



## INDICAZIONI DI SICUREZZA PER SEGHE A SCIABOLA

**Impugnare l'apparecchio sulle superfici di tenuta isolate mentre si eseguono lavori durante i quali l'utensile da taglio potrebbe entrare in contatto con cavi di corrente.**

L'eventuale contatto dell'utensile da taglio con un cavo sotto tensione potrebbe mettere sotto tensione le parti metalliche dell'apparecchio e provocare una folgorazione.

**Usare morsetti a vite o altri ausili pratici per fissare il pezzo da lavorare su di una base stabile.** Tenere il pezzo da lavorare con la mano o cercare di fissarlo con il corpo potrebbe comportare lo slittamento del pezzo, con conseguente perdita del controllo.

## ULTERIORI AVVISI DI SICUREZZA E DI LAVORO

Usare dispositivi di protezione. Durante il lavoro con la macchina bisogna sempre portare occhiali di protezione. Si consiglia di indossare indumenti di protezione come maschera antipolvere, guanti di protezione, scarpe antiscivolo robuste, casco e cuffie di protezione acustica.

La polvere che si produce durante il lavoro è spesso dannosa per la salute e non dovrebbe essere aspirata. Portare un'adeguata mascherina protettiva.

E' vietato lavorare materiali che possono costituire pericoli alla salute (ad es. amianto).

Spegnerne immediatamente il dispositivo in caso di bloccaggio! Non riaccendere il dispositivo fino a quando l'utensile ad inserto resta bloccato; esiste il rischio di causare un contraccolpo con elevato momento di reazione. Rilevare ed eliminare la causa del bloccaggio dell'utensile ad inserto tenendo conto delle indicazioni di sicurezza.

Le possibili cause sono:

- Incastro nel pezzo in lavorazione
- Il dispositivo ha attraversato il materiale da lavorare rompendolo
- Il dispositivo elettrico è stato sovraccaricato

Non avvicinare le mani alla parte della macchina in movimento.

Durante l'uso l'utensile ad inserto può surriscaldarsi.

**AVVERTENZA!** Pericolo di ustioni

- durante la sostituzione dell'utensile
- durante il deposito dell'utensile

Non rimuovere trucioli o schegge mentre l'utensile è in funzione.

Forando pareti, soffitti o pavimenti, si faccia attenzione ai cavi elettrici e alle condutture dell'acqua e del gas.

Fissare in sicurezza il pezzo in lavorazione con un dispositivo di serraggio. Pezzi in lavorazione che non siano fissati in sicurezza possono causare gravi lesioni e danni.

Non devono essere utilizzate né lame incrinata né lame la cui forma abbia subito alterazioni.

È possibile effettuare tagli ad immersione solo nei materiali dolci (legno, materiali per costruzione leggera) per i materiali (metalli) duri è invece necessario praticare un foro adatto alle dimensioni della lama.

Prima di iniziare togliere la batteria dalla macchina.

Non gettare le batterie esaurite sul fuoco o nella spazzatura di casa. La Milwaukee offre infatti un servizio di recupero batterie usate.

Nel vano d'innesto per la batteria del caricatore non devono entrare parti metalliche. (pericolo di cortocircuito).

Non conservare le batterie con oggetti metallici (pericolo di cortocircuito).

Le batterie del System 18 V sono ricaricabili esclusivamente con i caricatori del System 18 V. Le batterie di altri sistemi non possono essere ricaricate.

Non aprire né la batteria né il caricatore e conservarli solo in luogo asciutto. Proteggerli dalla umidità.

Nel caso di batterie danneggiate da un carico eccessivo o da temperature alte, l'acido di queste potrebbe fuoriuscire. In caso di contatto con l'acido delle batterie lavarsi immediatamente con acqua e sapone. In caso di contatto con gli occhi risciacquare immediatamente con acqua per almeno 10 minuti e contattare subito un medico.

**Attenzione!** Per ridurre il rischio d'incendio, di lesioni o di danni al prodotto causati da corto circuito, non immergere mai l'utensile, la batteria ricaricabile o il carica batterie in un liquido e non lasciare mai penetrare alcun liquido all'interno dei dispositivi e delle batterie. I fluidi corrosivi o conduttori come acqua salata, alcuni agenti chimici, agenti candeggianti o prodotti contenenti agenti candeggianti potrebbero provocare un corto circuito.

**AVVERTENZA!** Questo dispositivo contiene una batteria a bottone al litio. Una batteria nuova o usata può causare gravi ustioni interne e indurre la morte in meno di 2 ore se viene ingerita o se entra all'interno del corpo. Chiudere sempre in sicurezza il coperchio del vano batteria. Se non chiude in sicurezza, spegnere il dispositivo, rimuovere la batteria e conservarla fuori dalla portata dei bambini. Se si ha il sospetto che possano essere state ingerite delle batterie o che queste possano essere entrate nel corpo, consultare immediatamente un medico.

#### DICHIARAZIONE CE DI CONFORMITÀ

In qualità di produttore dichiariamo sotto la nostra esclusiva responsabilità che il prodotto descritto nei "Dati tecnici" è conforme a tutte le disposizioni pertinenti delle direttive 2011/65/UE (RoHS), 2014/30/UE, 2006/42/CE e dei seguenti documenti normativi armonizzati:

EN 62841-1:2015  
EN 62841-2-11:2016/A1:2020  
EN 55014-1:2017/A11:2020  
EN 55014-2:2015  
EN 62479:2010  
EN 300 328 V2.2.2  
EN 301 489-1 V2.2.3  
EN 301 489-17 V3.2.4  
EN IEC 63000:2018

Winnenden, 2021-08-16

Alexander Krug  
Managing Director



Autorizzato alla preparazione della documentazione tecnica

Techtronic Industries GmbH  
Max-Eyth-Straße 10  
71364 Winnenden  
Germany

#### UTILIZZO CONFORME

Questo sega diritta può essere utilizzato per lavorare legno, materiale sintetico e acciaio; per effettuare tagli dritti e obliqui, curve e per tagli all'interno del materiale.

Utilizzare il prodotto solo per l'uso per cui è previsto.

#### SELEZIONE DELLA MODALITÀ DI FUNZIONAMENTO

Prima di selezionare una diversa modalità di funzionamento, attendere che il dispositivo si sia arrestato completamente. Per modificare le impostazioni, premere il tasto . Premere il tasto WLAN per modificare dalla ONE-KEY App sul vostro smartphone i valori impostati.

Arresto sega automatica : arresta la sega alternativa dopo che il materiale è stato completamente tagliato.

#### ONE-KEY™

Per sapere di più sulla funzione ONE-KEY di questo apparecchio, leggere le istruzioni rapide allegate o consultare la nostra pagina internet [www.milwaukee.com/one-key](http://www.milwaukee.com/one-key). La ONE-KEY App può essere scaricata dall'App Store o da Google Play sul vostro smartphone.

Se il dispositivo viene disturbato da scariche elettrostatiche, il LED di indicazione della velocità si spegne e non sarà più possibile regolare la velocità. In questo caso occorre estrarre la batteria ricaricabile e la batteria a bottone e reinserirle (vedi pagina 6 e pagina 16). I disturbi causati da scariche elettrostatiche interrompono anche la comunicazione Bluetooth. In questo caso il collegamento Bluetooth dovrà essere ripristinato manualmente. I risultati di collaudo corrispondono ai nostri requisiti minimi secondo EN 55014-2 / EN 301489-1 / EN 301489-17.

#### FRENO ELETTRICO

Se viene rilasciato l'interruttore a pressione, la lama verrà arrestata dal freno elettrico entro circa 2 secondi. E' comunque anche possibile che il freno elettrico agisca con ritardo. In alcuni casi il freno elettrico potrebbe non intervenire. Se il freno elettrico dovesse non funzionare con una certa frequenza, la sega dovrà essere portata in un centro di assistenza Milwaukee autorizzato. Estrarre la sega dal pezzo da lavorare soltanto dopo l'arresto della lama.

#### BATTERIE

Batterie non utilizzate per molto tempo devono essere ricaricate prima dell'uso.

A temperature superiori ai 50°C, la potenza della batteria si riduce.

Evitare di esporre l'accumulatore a surriscaldamento prolungato, dovuto ad esempio ai raggi del sole o ad un impianto di riscaldamento.

Per una durata di vita ottimale, dopo l'uso le batterie devono essere completamente ricaricate.

Per una più lunga durata, rimuovere le batterie dal caricabatterie quando saranno cariche.

In caso di immagazzinaggio della batteria per più di 30 giorni: Immagazzinare la batteria a circa 27°C in ambiente asciutto. Immagazzinare la batteria con carica di circa il 30% - 50%. Ricaricare la batteria ogni 6 mesi.

#### DISPOSITIVO ANTISOVRACCARICO ACCUMULATORE

In caso di sovraccarico dell'accumulatore dovuto a consumo molto elevato di corrente, ad es. coppie di serraggio estremamente elevate, bloccaggio, arresto improvviso o cortocircuito, l'elettrotensile romba per 2 secondi e poi si spegne automaticamente. Per riaccenderlo, rilasciare l'interruttore e poi riaccenderlo. Se sottoposto a carichi estremi, l'accumulatore può surriscaldarsi. In questo caso l'accumulatore si spegne.

#### TRASPORTO DI BATTERIE AGLI IONI DI LITIO

Le batterie agli ioni di litio sono soggette alle disposizioni di legge sul trasporto di merce pericolosa.

Il trasporto di queste batterie deve avvenire rispettando le disposizioni e norme locali, nazionali ed internazionali.

- Gli utilizzatori possono trasportare queste batterie su strada senza alcuna restrizione.
- Il trasporto commerciale di batterie agli ioni di litio è regolato dalle disposizioni sul trasporto di merce pericolosa. Le preparazioni al trasporto ed il trasporto stesso devono essere svolti esclusivamente da persone idoneamente istruite. Tutto il processo deve essere gestito in maniera professionale.

Durante il trasporto di batterie occorre tenere conto di quanto segue:

- Assicurarsi che i contatti siano protetti ed isolati per evitare corto circuiti.
- Accertarsi che il gruppo di batterie non possa spostarsi all'interno dell'imballaggio.
- Batterie danneggiate o batterie che perdono liquido non devono essere trasportate.

Per ulteriori informazioni si prega di contattare il proprio trasportatore.

#### MANUTENZIONE

Tener sempre ben pulite le fessure di ventilazione dell'apparecchio.

Usare solo accessori Milwaukee e pezzi di ricambio Milwaukee. Gruppi costruttivi la cui sostituzione non è stata descritta, devono essere fatti cambiare da un punto di servizio di assistenza tecnica al cliente Milwaukee (vedi depliant garanzia/indirizzi assistenza tecnica ai clienti).

In caso di necessità è possibile richiedere un disegno esploso del dispositivo indicando il modello della macchina ed il numero a sei cifre sulla targa di potenza rivolgendosi al centro di assistenza tecnica o direttamente a Techtronic Industries GmbH, Max-Eyth-Straße 10, 71364 Winnenden, Germany.

#### SIMBOLI



ATTENZIONE! AVVERTENZA! PERICOLO!



Prima di iniziare togliere la batteria dalla macchina.



Leggere attentamente le istruzioni per l'uso prima di mettere in funzione l'elettrotensile.



Non ingerire batterie a bottone!



Durante l'uso dell'apparecchio utilizzare sempre gli occhiali di protezione.



Accessorio - Non incluso nella dotazione standard, disponibile a parte come accessorio.



I rifiuti di pile e i rifiuti di apparecchiature elettriche ed elettroniche non devono essere smaltiti insieme ai rifiuti domestici. I rifiuti di pile e di apparecchiature elettriche ed elettroniche devono essere raccolti e smaltiti separatamente. Rimuovere i rifiuti di pile e di accumulatori nonché le sorgenti luminose dalle apparecchiature prima di smaltirle.

Chiedere alle autorità locali o al rivenditore specializzato dove si trovano i centri di riciclaggio e i punti di raccolta. A seconda dei regolamenti locali, i rivenditori al dettaglio possono essere obbligati a ritirare gratuitamente i rifiuti di pile e i rifiuti di apparecchiature elettriche ed elettroniche.

Aiutate a ridurre il fabbisogno di materie prime riutilizzando e riciclando i propri rifiuti di pile e di apparecchiature elettriche ed elettroniche. I rifiuti di pile (specialmente di pile agli ioni di litio) e i rifiuti di apparecchiature elettriche ed elettroniche contengono materiali preziosi e riciclabili che possono avere un impatto negativo sull'ambiente e sulla vostra salute se non vengono smaltiti in modo ecologico. Cancellare tutti i dati personali che potrebbero essere presenti sul vostro rifiuto di apparecchiatura prima di procedere allo smaltimento.

Numero di corse a vuoto

$n_0$

Volt

V

Corrente continua



Marchio di conformità europeo



Marchio di conformità britannico



Marchio di conformità ucraino



001

Marchio di conformità euroasiatico





DATOS TÉCNICOS		SIERRA DE SABLE A BATERÍA	M18 ONEFSZ
Número de producción .....	.....	477908 03	.....000001-999999
Profundidad de corte máx. en:			
Madera blanda .....	.....	300 mm	
Acero .....	.....	20 mm	
Aluminio .....	.....	25 mm	
Metal no férreo .....	.....	25 mm	
Tubos metálicos .....	.....	150 mm	
Nº de carreras en vacío .....	.....	0-3000 min <sup>-1</sup>	
Carrera .....	.....	32 mm	
Voltaje de batería .....	.....	18 V	
Versión Bluetooth .....	.....	4.2	
Banda de frecuencia .....	.....	2400 – 2480 MHz	
Potencia de radiofrecuencia .....	.....	0 dBm	
Peso de acuerdo con el procedimiento EPTA 01/2014 (2,0 Ah - 12,0 Ah) .....	.....	3,5 .. 4,6 kg	
Temperatura ambiente recomendada durante el trabajo .....	.....	-18 .. +50 °C	
Tipos de acumulador recomendados .....	.....	M18B2... M18HB12	
Cargadores recomendados .....	.....	M12-18 ... ; M1418C6	

### Información sobre ruidos / vibraciones

Determinación de los valores de medición según norma EN 62841.

La presión acústica se eleva normalmente

Presión acústica (Tolerancia K=3dB(A)) .....	.....	88, 15 dB (A)
Resonancia acústica (Tolerancia K=3dB(A)) .....	.....	99, 15 dB (A)

### Usar protectores auditivos!

Nivel total de vibraciones (suma vectorial de tres direcciones) determinado según EN 62841.

Aserrado de madera \*1

Valor de vibraciones generadas $a_{h,18}$ .....	.....	20, 18 m/s <sup>2</sup>
Tolerancia K= .....	.....	1, 5 m/s <sup>2</sup>

Corte de vigas de madera \*2

Valor de vibraciones generadas $a_{h,VB}$ .....	.....	19, 53 m/s <sup>2</sup>
Tolerancia K= .....	.....	1, 5 m/s <sup>2</sup>

\*1 con hoja de sierra bimetal, tamaño 150 x 1,25 mm y paso de dientes de 5 mm

\*2 con hoja de sierra bimetal, tamaño 230 x 1,25 mm y paso de dientes de 5 mm

### ADVERTENCIA

El nivel de emisión de ruido y vibración indicado en esta hoja informativa se ha medido de acuerdo con una prueba estandarizada que figura en EN 62841 y se puede usar para comparar una herramienta con otra. Puede ser empleado para una evaluación preliminar de la exposición.

El nivel declarado emisión de vibración y ruido representa las principales aplicaciones de la herramienta. Sin embargo, si la herramienta se utiliza para diferentes aplicaciones, con diferentes accesorios o con un mantenimiento deficiente, la emisión de ruido y vibración puede diferir. Esto puede aumentar significativamente el nivel de exposición durante el periodo total de trabajo.

También se debe tener en cuenta una estimación del nivel de exposición a la vibración y el ruido cuando la herramienta está apagada o cuando está funcionando, pero no está haciendo su trabajo. Esto puede reducir significativamente el nivel de exposición durante el periodo total de trabajo.

Identifique medidas de seguridad adicionales para proteger al operador de los efectos de la vibración o el ruido, como realizar mantenimiento de la herramienta y los accesorios, mantener las manos calientes y organizar las pautas de trabajo.

**ADVERTENCIA:** Lea todas las advertencias de peligro, instrucciones, ilustraciones y especificaciones suministradas con esta herramienta eléctrica. En caso de no atenerse a las instrucciones siguientes, ello puede ocasionar una descarga eléctrica, un incendio y/o lesión grave.

### INSTRUCCIONES DE SEGURIDAD PARA SIERRAS SABLE

Sujete el aparato de las superficies aisladas de agarre al efectuar trabajos en los cuales la perforadora de percusión pueda entrar en contacto con conductores de corriente ocultos.

El contacto de la perforadora de percusión con un conducto con energía aplicada también podrá poner bajo tensión partes metálicas del aparato y causar un choque eléctrico.

Utilice prensas de tornillo u otros medios de ayuda para sujetar la pieza de trabajo en una superficie estable. Al sujetar la pieza de trabajo con la mano o al contrapresionarla con el cuerpo, ésta puede correrse y provocar el pérdida de control.

### INSTRUCCIONES ADICIONALES DE SEGURIDAD Y LABORALES

Utilice el equipamiento de protección. Mientras trabaje con la máquina lleve siempre gafas protectoras. Se recomienda utilizar ropa de protección como máscara protectora contra el polvo, guantes protectores, calzado resistente y antideslizante, casco y protección para los oídos.

El polvo que se produce durante estos trabajos puede ser nocivo a la salud; es por ello es aconsejable que no penetre al cuerpo. Utilice por ello una máscara protectora contra polvo.

No se deben trabajar materiales que conlleven un riesgo para la salud (por ej. amianto).

¡En caso de que se bloquee el útil, el aparato se debe desconectar inmediatamente! No vuelva a conectar el aparato, mientras el útil está bloqueado; se podría producir un rechazo debido a la reacción de retroceso brusca. Averigüe y elimine la causa del bloqueo del útil, teniendo en cuenta las indicaciones de seguridad.

Causas posibles para ello pueden ser:

- Atascamiento o bloqueo en la pieza de trabajo
- Rotura del material con el que está trabajando
- Sobrecarga de la herramienta eléctrica

No introduzca las manos en la máquina mientras ésta se encuentra en funcionamiento.

El útil se puede calentar durante el uso.

**ADVERTENCIA!** Peligro de quemaduras

- en caso de cambiar la herramienta
- en caso de depositar el aparato

Nunca se debe intentar limpiar el polvo o viruta procedente del taladrado con la máquina en funcionamiento.

Para trabajar en paredes, techo o suelo, tenga cuidado para evitar los cables eléctricos y tuberías de gas o agua.

Fije la pieza de trabajo con un dispositivo de fijación. Las piezas de trabajo no fijadas pueden causar lesiones graves y deterioros.

No usar seguetas rajadas o torcidas.

En materiales blandos (madera, materiales ligeros de construcción para paredes) es posible hacer cortes verticales sin taladrar primero un agujero. En materiales duros (metales) primero se debe taladrar un agujero de acuerdo con el tamaño de la segueta.

Retire la batería antes de comenzar cualquier trabajo en la máquina.

No tire las baterías usadas a la basura ni al fuego. Los Distribuidores Milwaukee ofrecen un servicio de recogida de baterías antiguas para proteger el medio ambiente.

No almacene la batería con objetos metálicos (riesgo de cortocircuito).

No introduzca en la cavidad del cargador objetos metálicos (riesgo de cortocircuito).

Recargar solamente los acumuladores del Sistema 18 V en cargadores 18 V. No intentar recargar acumuladores de otros sistemas.

No abra nunca las baterías ni los cargadores y guárdelos sólo en lugares secos. Protéjalos de la humedad en todo momento.

En caso de sobrecarga o alta temperatura, pueden llegar a producirse escapes de ácido provenientes de la batería. En caso de contacto con éste, limpie inmediatamente la zona con agua y jabón. Si el contacto es en los ojos, límpiese concienzudamente con agua durante 10 minutos y acuda inmediatamente a un médico.

**Advertencia!** Para reducir el riesgo de incendio, lesión personales y daños al producto debido a un cortocircuito, no sumerja nunca la herramienta, el pa-quete de baterías o el cargador en líquido ni permita que fluya un fluido dentro de ellos. Los fluidos corrosivos o conductivos, como el agua de mar, ciertos productos quími-cos industriales y blanqueadores o lejías que contienen, etc., Pueden causar un cortocircuito.

**¡ADVERTENCIA!** Este aparato contiene una pila de botón de litio. Una pila nueva o usada puede causar graves quemaduras internas y provocar la muerte en menos de 2 horas en caso de ingestión o penetración en el organismo. Asegure en todo momento la tapa de las baterías. Si la tapa no cierra de forma segura, desconecte el aparato, retire la batería y manténgala alejada del alcance de niños. Si usted piensa que una batería fue ingerida o penetró en el organismo, deberá acudir inmediatamente a un médico.

### DECLARACIÓN CE DE CONFORMIDAD

Declaramos como fabricante y bajo nuestra responsabilidad que el producto descrito bajo "Datos técnicos" está en conformidad con todas las normas relevantes de las directivas 2011/65/UE (RoHS), 2014/30/UE, 2006/42/CE y con las siguientes normas o documentos normalizados:

EN 62841-1:2015  
EN 62841-2-11:2016/A1:2020  
EN 55014-1:2017/A11:2020  
EN 55014-2:2015  
EN 62479:2010  
EN 300 328 V2.2.2  
EN 301 489-1 V2.2.3  
EN 301 489-17 V3.2.4  
EN IEC 63000:2018

Winnenden, 2021-08-16

*Alexander Krug*

Alexander Krug  
Managing Director



Autorizado para la redacción de los documentos técnicos.

Techtronic Industries GmbH  
Max-Eyth-Straße 10  
71364 Winnenden  
Germany

### APLICACIÓN DE ACUERDO A LA FINALIDAD

Esta sierra de sable puede cortar madera, plástico y metal; puede cortar líneas rectas, curvas y efectuar cortes internos.

No utilice este producto para ninguna otra aplicación que no sea su uso normal.

### SELECCIÓN DEL MODO OPERATIVO

Antes de cambiar el modo operativo, esperar a que la unidad se pare por completo. Para cambiar los ajustes, pulsar el botón . Pulsar el botón WLAN para cambiar los ajustes predeterminados usando la app ONE-KEY de su teléfono inteligente.

Parada automática de la sierra detiene la sierra alternativa después de que el material se haya cortado por completo.

### ONE-KEY™

Para obtener más información sobre el funcionamiento de esta herramienta, sírvase leer la guía de inicio rápido del anexo o visite nuestra página web en internet [www.milwaukeeool.com/one-key](http://www.milwaukeeool.com/one-key). Puede descargar la app ONE-KEY de la App Store o de Google Play en su teléfono inteligente.

Cuando el aparato se ve afectado por descargas electrostáticas, se apaga el indicador LED de velocidad, no siendo posible seguir regulando la velocidad. Si esto sucede, extraer la batería de recambio y la pila de botón y volver a colocarlas (véanse las páginas 6 y 16).

Las incidencias producidas por descargas electrostáticas también pueden provocar la interrupción de la comunicación de Bluetooth. En este caso, es necesario volver a restaurar manualmente la conexión de Bluetooth. Los resultados de las pruebas cumplen con los requisitos mínimos conforme a EN 55014-2 / EN 301489-1 / EN 301489-17.

### FRENO ELECTRICO

Al soltar el gatillo, el freno eléctrico frena la hoja de la sierra dentro de aprox. 2 segundos. Sin embargo, el freno eléctrico puede actuar también de forma más retardada. De vez en cuando, el freno eléctrico no produce efecto. En caso de que el freno eléctrico no surta efecto de forma más frecuente, deberá llevarse la sierra a un servicio de postventa autorizado por Milwaukee.

Extraer la sierra de la pieza de trabajo únicamente en el momento de paro de la hoja de la sierra.

### BATERIA

Las baterías no utilizadas durante cierto tiempo deben ser recargadas antes de usar.

Las temperaturas superiores a 50°C reducen el rendimiento de la batería. Evite una exposición excesiva a fuentes de calor o al sol (riesgo de sobrecalentamiento).

Los puntos de contacto de los cargadores y las baterías se deben mantener limpios.

Para un tiempo de vida óptimo, deberán cargarse completamente las baterías después de su uso.

Para garantizar la máxima capacidad y vida útil, las baterías recargables se deberían retirar del cargador una vez finalizada la carga.

En caso de almacenar la batería recargable más de 30 días: Almacenar la batería recargable en un lugar seco a una temperatura de aproximadamente 27°C. Almacenar la batería recargable con un estado de carga del 30% y 50%

aproximadamente.  
Recargar la batería cada 6 meses.

## PROTECCIÓN CONTRA SOBRECARGA DE LA BATERÍA

En caso de sobrecarga del acumulador por consumo muy elevado de corriente, por ej. debido a pares muy elevados, agarrotamiento, parada repentina o cortocircuito, la herramienta eléctrica zumbará durante 2 segundos y se desconectará automáticamente.

Para reconectarla, libere primero el gatillo interruptor y después conectarla de nuevo.  
Bajo cargas extremas, el acumulador se puede calentar mucho. En este caso desconectar el acumulador.

## TRANSPORTE DE BATERÍAS DE IONES DE LITIO

Las baterías de iones de litio caen bajo las disposiciones legales relativas al transporte de mercancías peligrosas.

El transporte de estas baterías recargables debe llevarse a cabo, observando las normas y disposiciones locales, nacionales e internacionales.

- Los consumidores pueden transportar estas baterías recargables sin el menor reparo en la calle.
- El transporte comercial de baterías recargables de iones de litio por empresas de transportes está sometido a las disposiciones del transporte de mercancías peligrosas. Las preparaciones para el envío y el transporte deben ser llevados a cabo exclusivamente por personas instruidas adecuadamente. El proceso completo debe ser supervisado por personal competente.

Los siguientes puntos se deben observar para el transporte de las baterías recargables:

- Se debe asegurar que los contactos estén protegidos y aislados para evitar que se produzcan cortocircuitos.
- Preste atención a que el conjunto de baterías recargables no se pueda desplazar dentro del envase.
- Las baterías recargables deterioradas o derramadas no se deben transportar.

Rogamos que para cualquier información adicional se dirija a su empresa de transportes.

## MANTENIMIENTO

Las ranuras de ventilación de la máquina deben estar despejadas en todo momento.

Utilice solamente accesorios y repuestos Milwaukee. En caso de necesitar reemplazar componentes no descritos, contacte con cualquiera de nuestras estaciones de servicio Milwaukee (consultar lista de servicio técnicos)

Puede solicitar, en caso necesario, una vista despiezada del aparato bajo indicación del tipo de máquina y el número de seis dígitos en la placa indicadora de potencia en su Servicio de Postventa o directamente en Techtronic Industries GmbH, Max-Eyth-Straße 10, 71364 Winnenden, Germany.

## SÍMBOLOS



¡ATENCIÓN! ¡ADVERTENCIA! ¡PELIGRO!



Retire la batería antes de comenzar cualquier trabajo en la máquina.



Lea las instrucciones detenidamente antes de conectar la herramienta



¡No ingiera las pilas de botón!



Para trabajar con la máquina, utilizar siempre gafas de protección.



Accesorio - No incluido en el equipo estándar, disponible en la gama de accesorios.



Los residuos de pilas y de aparatos eléctricos y electrónicos no se deben desechar junto con la basura doméstica. Los residuos de pilas y de aparatos eléctricos y electrónicos se deben recoger y desechar por separado.

Retire los residuos de pilas y acumuladores, así como las fuentes de iluminación de los aparatos antes de desecharlos.

Infórmese en las autoridades locales o en su distribuidor especializado sobre los centros de reciclaje y los puntos de recogida.

Dependiendo de las disposiciones locales al respecto, los distribuidores minoristas pueden estar obligados a aceptar de forma gratuita la devolución de residuos de pilas, aparatos eléctricos y electrónicos.

Contribuya mediante la reutilización y el reciclaje de sus residuos de pilas y de aparatos eléctricos y electrónicos a reducir la demanda de materias primas.

Los residuos de pilas (sobre todo de pilas de iones de litio) y de aparatos eléctricos y electrónicos contienen valiosos materiales reutilizables que pueden tener efectos negativos para el medio ambiente y su salud si no son desechados de forma respetuosa con el medio ambiente.

Antes de desecharlos, elimine los datos personales que podría haber en los residuos de sus aparatos.



Nº de carreras en vacío



Tensión

Corriente continua



Marcado de conformidad europeo



Marcado de conformidad británico



Marcado de conformidad ucraniano



Marcado de conformidad euroasiático

## CARACTERÍSTICAS TÉCNICAS SERRA DE SABRE A BATERÍA

M18 ONEFSZ

Número de produção.....	477908 03
	...000001-999999
Profundidade de corte máx. em	
Madeira macia .....	300 mm
Aço .....	20 mm
Alumínio .....	25 mm
Material não ferroso .....	25 mm
Tubos metálicos .....	150 mm
Nº. de cursos em vazio.....	0-3000 min <sup>-1</sup>
Curso .....	32 mm
Tensão do acumulador .....	18 V
Versão Bluetooth .....	4.2
Banda de frequências .....	2400 – 2480 MHz
Potência de radiofrequências .....	0 dBm
Peso nos termos do procedimento-EPTA 01/2014 (2,0 Ah - 12,0 Ah)....	3,5 - 4,6 kg
Temperatura ambiente recomendada ao trabalhar .....	-18...+50 °C
Tipos de baterias recomendadas .....	M18B2... M18HB12
Carregadores recomendados .....	M12-18 ... ; M1418C6

## Informações sobre ruído/vibração

Valores de medida de acordo com EN 62841.

Normalmente o nível de pressão de ruído da ferramenta é

Nível da pressão de ruído (Incertez K=3dB(A)).....88,15 dB (A)

Nível da potência de ruído (Incertez K=3dB(A)).....99,15 dB (A)

## Use protectores auriculares!

Valores totais de vibração (soma dos vectores das três direcções) determinadas conforme EN 62841.

Serrar madeira \*1

Valor de emissão de vibração a<sub>h,18</sub> .....

Incerteza K=.....1,5 m/s<sup>2</sup>

Serrar vigas de madeira \*2

Valor de emissão de vibração a<sub>h,18</sub> .....

Incerteza K=.....1,5 m/s<sup>2</sup>

\*1 com lâmina da serra bimetal, dimensões 150 x 1,25 mm e passo de dentes 5 mm

\*2 com lâmina da serra bimetal, dimensões 230 x 1,25 mm e passo de dentes 5 mm

## ATENÇÃO

O nível de emissão de ruído e vibração fornecido nesta ficha de informações foi medido de acordo com um teste padronizado que se encontra na norma EN 62841, podendo ser utilizado para fazer comparações entre ferramentas. Pode ser utilizado para fazer uma avaliação preliminar da exposição.

O nível de emissão de ruído e vibração declarado representa as principais aplicações da ferramenta. No entanto, se a ferramenta for utilizada para aplicações diferentes ou com acessórios distintos, ou se a sua manutenção for deficiente, a emissão de ruídos e vibrações poderá diferir. Isso poderá aumentar significativamente o nível de exposição ao longo do período de trabalho total.

A estimativa do nível de exposição à vibração e ruído também deve ter em conta os tempos em que a ferramenta, quer desligada quer em funcionamento, não está realmente a trabalhar. Isso poderá reduzir significativamente o nível de exposição ao longo do período de trabalho total.

Identifique medidas de segurança adicionais para proteger o operador contra os efeitos da vibração e/ou ruído, tais como: fazer a manutenção da ferramenta e dos acessórios, manter as mãos quentes, organizar padrões de trabalho.

**⚠ ADVERTÊNCIA** Devem ser lidas todas as advertências de segurança, instruções, ilustrações e especificações fornecidas com esta ferramenta elétrica. O desrespeito das advertências e instruções apresentadas abaixo pode causar choque elétrico, incêndio e/ou graves lesões.

## ⚠ INSTRUÇÕES DE SEGURANÇA PARA SERRAS DE SABRE

**Segure o aparelho nas superfícies de punho isoladas se estiver a executar trabalhos, nos quais a ferramenta de corte pode tocar em linhas eléctricas escondidas.**

O contacto da ferramenta de corte com uma linha sob tensão também pode colocar peças metálicas do aparelho sob tensão e levar a um choque eléctrico.

**Use sargentos ou outros recursos práticos para fixar a peça a trabalhar em uma base sólida.** Se a peça a trabalhar for segurada com a mão ou apoiada de encontro com o corpo, a peça poderá deslocar-se o que poderá levar à perda do controlo.

## INSTRUÇÕES DE SEGURANÇA E TRABALHO SUPLEMENTARES

Utilizar equipamento de protecção. Durante os trabalhos com a máquina, usar sempre óculos de protecção. Vestuário de protecção, bem como máscara de pó, sapatos fechados e antiderrapante, capacete e protecção auditiva são recomendados.

O pó que resulta ao trabalhar pode ser nocivo para a saúde, por isso não devendo penetrar no corpo. Use uma máscara de protecção contra pó apropriada.

Não devem ser processados materiais que representem um perigo para a saúde (p. ex. asbesto).

Desligue o aparelho imediatamente, quando a ferramenta de inserção bloquear! Não ligue o aparelho novamente durante o bloqueio da ferramenta de inserção, pois isso pode levar a um recuo repentino com uma alta força reactiva. Verifique e elimine a causa do bloqueio da ferramenta de inserção, observando as instruções de segurança.

Causas possíveis podem ser:

- Emperramento na peça a trabalhar
- Material a processar rompido
- Sobrecarga da ferramenta eléctrica

Não toque na máquina em operação.

A ferramenta de inserção pode ficar quente durante a operação.

**ATENÇÃO!** Perigo de queimar-se

- na troca das ferramentas
- ao depositar o aparelho

Não remover aparas ou lascas enquanto a máquina trabalha.

Ao trabalhar em paredes, tectos e soalhos prestar atenção a que não sejam atingidos cabos eléctricos e canalizações de gás e água.

Fixe a peça a trabalhar com um dispositivo de fixação. Peças a trabalhar não fixadas podem levar a feridas graves e danos sérios.

Não utilizar lâminas de corte fissuradas ou deformadas.

Cortes envaziados só são possíveis em materiais não muito consistentes (madeira, aglomerados ligeiros para paredes). Em materiais mais duros (metais) é necessário efectuar uma furação na qual caiba a lâmina de corte.

Antes de efectuar qualquer intervenção na máquina retirar o bloco acumulador.

Não queimar acumuladores gastos nem deitá-los no lixo doméstico. A Milwaukee possui uma eliminação de acumuladores gastos que respeita o meio ambiente.

Não guardar acumuladores junto com objectos metálicos (perigo de curto-circuito).

Não abrir acumuladores e carregadores. Armazená-los em recintos secos. Protegê-los contra humidade.

Use apenas carregadores do Sistema 18 V para recarregar os acumuladores do Sistema 18 V. Não utilize acumuladores de outros sistemas.

Carregadores só devem ser utilizados em recintos secos.

Em caso de cargas ou temperaturas extremas, um acumulador de substituição danificado poderá verter líquido de bateria. Se entrar em contacto com este líquido, deverá lavar-se imediatamente com água e sabão. Em caso de contacto com os olhos, enxágue-os bem e de imediato durante pelo menos 10 minutos e consulte um médico o mais depressa possível.

**Advertência!** Para evitar o risco de incêndio, de feridas ou de danificação do produto causado por um curto-circuito, não imerja a bateria intercambiável ou o carregador em líquidos e assegure-se de que líquidos não penetrem nos aparelhos ou nas baterias. Líquidos corrosivos ou condutivos como água salgada, determinadas substâncias químicas ou produtos que contenham branqueadores podem causar um curto-circuito.

**AVISO!** Este aparelho contém uma pilha de botão de lítio. Uma pilha nova ou usada pode causar feridas internas graves ou levar à morte em menos de 2 horas, se ela for ingerida ou entrar no corpo. Sempre fixe bem a tampa da caixa da pilha. Se ela não fechar seguramente, desligue o aparelho, remova a pilha e mantenha-a fora do alcance de crianças. Se pensar que ingeriu pilhas ou que elas entraram no seu corpo, consulte imediatamente um médico.

## DECLARAÇÃO CE DE CONFORMIDADE

Como fabricante, declaramos sob responsabilidade exclusiva, que o produto descrito sob "Dados Técnicos" corresponde com todas as disposições relevantes das diretivas 2011/65/UE (RoHS), 2014/30UE, 2006/42/CE e dos seguintes documentos normativos harmonizados:

EN 62841-1:2015  
EN 62841-2-11:2016/A1:2020  
EN 55014-1:2017/A11:2020  
EN 55014-2:2015  
EN 62479:2010  
EN 300 328 V2.2.2  
EN 301 489-1 V2.2.3  
EN 301 489-17 V3.2.4  
EN IEC 63000:2018

Winnenden, 2021-08-16

Alexander Krug  
Managing Director



Autorizado a reunir a documentação técnica.

Teichtronic Industries GmbH  
Max-Eyth-Straße 10  
71364 Winnenden  
Germany

## UTILIZAÇÃO AUTORIZADA

Esta serra de sabre corta madeira, plástico e metal. Cortes curvos e à face do material.

Não use este produto de outra maneira sem ser a normal para o qual foi concebido.

## SELEÇÃO DO MODO DE OPERAÇÃO

Aguarde a parada completa da ferramenta antes de mudar o modo. Pressione o botão de seleção para mudar os ajustes. Selecione a tecla WLAN para mudar os ajustes padrão através do aplicativo ONE-KEY no seu smartphone.

Parada automática da serra para a serra alternativa depois de o material ter sido totalmente serrado.

## ONE-KEY™

Para aprender mais sobre a função ONE-KEY para esta ferramenta, consulte o Guia de Início Rápido fornecido com este produto ou a [www.milwaukee.com/one-key](http://www.milwaukee.com/one-key). Para baixar o app ONE-KEY visite a App Store ou a Google Play com o seu smartphone.

Se houver interferências do aparelho devido a descargas eletrostáticas, o indicador de velocidade LED se desligará e não será mais possível regular a velocidade. Neste caso, remova o bloco acumulador e a pilha de botão e insira-os novamente (veja a página 6 e a página 16). Interferências causadas por descargas eletrostáticas também interrompem a comunicação através da função Bluetooth. Neste caso, será necessário restabelecer a ligação Bluetooth manualmente. Os resultados dos ensaios satisfazem as nossas exigências mínimas no termos das EN 55014-2 / EN 301489-1 / EN 301489-17.

## TRAVÃO ELÉCTRICO

Quando se solta o interruptor, o travão electrónico parará a lâmina de serra dentro de aproximadamente 2 segundos. Contudo, este intervalo pode ser maior devido a uma reacção atrasada do travão electrónico. Ocasionalmente pode acontecer que o travão não pára a lâmina. Se isto acontecer frequentemente, deve levar a serra a um centro de serviços autorizado pela Milwaukee. Não tire a serra da peça a trabalhar, enquanto a lâmina não ter parado.

## ACUMULADOR

Acumuladores não utilizados durante algum tempo devem ser recarregados antes da sua utilização.

Temperaturas acima de 50°C reduzem a capacidade do bloco acumulador. Evitar exposição prolongada ao sol ou a caloríferos.

Mantenha limpos os contactos eléctricos no carregador e no bloco acumulador.

Para uma vida útil óptima dos acumuladores, terá que carregá-los plenamente após a sua utilização.

Para assegurar uma vida útil longa, o pacote de bateria deve ser removido da carregadora depois do carregamento.

Se o pacote de bateria for armazenado por mais de 30 dias: Armazene o pacote de bateria com aprox. 27°C em um lugar seco. Armazene o pacote de bateria com aprox. 30%-50% da carga completa. Carregue o pacote de bateria novamente de 6 em 6 meses.

## PROTECÇÃO DE SOBRECARGA DE BATERIA

No caso de sobrecarga da bateria devido a um consumo de corrente demasiado elevado, por exemplo um binário de rotação extremamente elevado, um bloqueio, uma paragem repentina ou um curto-circuito, a ferramenta eléctrica vibra durante 2 segundos e desliga-se automaticamente.

Para a ligar novamente, desligar e voltar a ligar o interruptor. Sob condições extremas, a bateria pode aquecer demasiado. Neste caso a bateria desliga-se."

## TRANSPORTE DE BATERIAS DE IÃO-LÍTIO

Baterias de ião-lítio estão sujeitas às disposições da legislação relativa às substâncias perigosas.

O transporte destas baterias deve ser efectuado de acordo com as disposições e os regulamentos locais, nacionais e internacionais.

- O utilizador pode efectuar o transporte rodoviário destas baterias sem restrições.
- O transporte comercial de baterias de ião-lítio por terceiros está sujeito aos regulamentos relativos às substâncias perigosas. A preparação do transporte e o transporte devem ser executados exclusivamente por pessoas instruídas e o processo deve ser acompanhado pelos especialistas correspondentes.

Observe o seguinte no transporte de baterias:

- Assegure-se de que os contactos terminais estejam protegidos e isolados para evitar um curto-circuito.
- Assegure-se de que o bloco da bateria esteja protegido contra movimentos na embalagem.
- Não transporte baterias danificadas ou que tenham fuga.

Para instruções mais detalhadas consulte a companhia de transportes

## MANUTENÇÃO

Mantenha desobstruídos os rasgos de ventilação na carcaça da máquina.

Utilizar apenas acessórios Milwaukee e peças sobresselentes Milwaukee. Os componentes cuja substituição não esteja descrita devem ser substituídos num serviço de assistência técnica Milwaukee (consultar a brochura relativa à garantia/moradas dos serviços de assistência técnica).

Se for necessário, um desenho de explosão do aparelho pode ser solicitado do seu posto de assistência ao cliente ou directamente da Teichtronic Industries GmbH, Max-Eyth-Straße 10, 71364 Winnenden, Alemanha, indicando o tipo da máquina e o número de seis posições na chapa indicadora da potência.

## SYMBOLE



ATENÇÃO! PERIGO!



Antes de efectuar qualquer intervenção na máquina retirar o bloco acumulador.



Leia atentamente o manual de instruções antes de colocar a máquina em funcionamento.



Não ingira as pilhas de botão!



Usar sempre óculos de protecção ao trabalhar com a máquina.



Acessório - Não incluído no equipamento normal, disponível como acessório.



Resíduos de pilhas, resíduos de equipamentos eléctricos e electrónicos não devem ser descartados com o lixo doméstico. Resíduos de pilhas, resíduos de equipamentos eléctricos e electrónicos devem ser recolhidos e descartados separadamente. Remova os resíduos de pilhas, os resíduos de acumuladores e as luzes antes de descartar os equipamentos.

Informe-se sobre os centros de reciclagem e os postos de coleta nas autoridades locais ou no seu vendedor autorizado.

Dependendo dos regulamentos locais, os retalhistas podem ser obrigados a retomar gratuitamente os resíduos de pilhas e os resíduos de equipamentos eléctricos e electrónicos.

Contribua a reduzir as necessidades de matérias-primas, reutilizando e reciclando os seus resíduos de pilhas e os seus resíduos de equipamentos eléctricos e electrónicos.

Resíduos de pilhas (particularmente pilhas de íon lítio), resíduos de equipamentos eléctricos e electrónicos contêm materiais valiosos e reutilizáveis que podem ter efeitos negativos para o meio ambiente e a sua saúde. Apague eventuais dados pessoais existentes no seu resíduo de equipamento antes de descartá-lo.

Nº. de cursos em vazio

Tensão

Corrente contínua

Marca de Conformidade Europeia

Marca de Conformidade Britânica

Marca de Conformidade Ucraniana

Marca de Conformidade Eurasiática

TECHNISCHE GEGEVENS	ACCU-RECIPROZAAGMACHINE	M18 ONEFSZ
Productienummer .....	.....477908 03	.....000001-999999
Max. schroefdiepte in:		
Zacht hout .....	.....300 mm	
Staal .....	.....20 mm	
Aluminium .....	.....25 mm	
Non-ferro metaal .....	.....25 mm	
Metaalpijp .....	.....150 mm	
Onbelast toerental .....	.....0-3000 min <sup>-1</sup>	
Slaglengte .....	.....32 mm	
Spanning wisselakku .....	.....18 V	
Bluetooth-versie .....	.....4.2	
Frequentieband .....	.....2400 – 2480 MHz	
Radiofrequent vermogen .....	.....0 dBm	
Gewicht volgens de EPTA-procedure 01/2014 (2,0 Ah - 12,0 Ah) .....	.....3,5 ... 4,6 kg	
Aanbevolen omgevingstemperatuur tijdens het werken .....	.....-18...+50 °C	
Aanbevolen accutypes .....	.....M18B2... M18HB12	
Aanbevolen laadtoestellen .....	.....M12-18... ; M1418C6	

#### Geluids-trillingsinformatie

Meetwaarden vastgesteld volgens EN 62841.

Het kenmerkende A-gewaardeerde geluidsdrukkniveau van de machine bedraagt

Geluidsdrukkniveau (Onzekerheid K=3dB(A)) .....	.....88, 15 dB (A)
Geluidsvermogeniveau (Onzekerheid K=3dB(A)) .....	.....99, 15 dB (A)

#### Draag oorbeschermers!

Totale trillingswaarden (vectorsom van drie richtingen) bepaald volgens EN 62841.

Zagen van hout \*1

Trillingsemisiewaarde $a_{h,B}$ .....	.....20, 18 m/s <sup>2</sup>
Onzekerheid K= .....	.....1, 5 m/s <sup>2</sup>

Zagen van houten balken \*2

Trillingsemisiewaarde $a_{h,WB}$ .....	.....19, 53 m/s <sup>2</sup>
Onzekerheid K= .....	.....1, 5 m/s <sup>2</sup>

\*1 met zaagblad bimetaal, maat 150 x 1,25 mm en tandafstand 5 mm

\*2 met zaagblad bimetaal, maat 230 x 1,25 mm en tandafstand 5 mm

#### WAARSCHUWING

De in dit informatieblad vermelde trillings- en geluidsniveaus zijn gemeten in overeenstemming met een standaard testmethode conform EN 62841 en kunnen worden gebruikt om gereedschap met elkaar te vergelijken. Deze kunnen ook worden gebruikt voor het vooraf evalueren van de blootstelling.

De vermelde trillings- en geluidsniveaus gelden voor de meest gebruikelijke toepassingen van het gereedschap. Wanneer het gereedschap echter voor andere doeleinden of met andere hulpstukken gebruikt wordt of niet naar behoren onderhouden wordt, kan de mate van blootstelling over de hele werkperiode aanzienlijk hoger uitvallen.

Voor een nauwkeurige inschatting van de blootstelling aan trillingen en geluid moet ook de tijd in aanmerking worden genomen die het apparaat uitgeschakeld is of weliswaar loopt, maar niet werkelijk in gebruik is. Dit kan de waarde van de mate aan blootstelling over de hele werkperiode aanzienlijk verminderen.

Bepaal extra veiligheidsmaatregelen ter bescherming van de gebruiker tegen de gevolgen van trillingen en/of geluid, bijvoorbeeld: onderhoud van het gereedschap en hulpstukken, warmhouden van de handen, organisatie van de werkprocessen.

**WAARSCHUWING!** Lees alle veiligheidswaarschuwingen, voorschriften, afbeeldingen en specificaties voor dit elektrische gereedschap. Als de onderstaande waarschuwingen niet worden opgevolgd, kan dit een elektrische schok, brand of ernstig letsel tot gevolg hebben.

#### VEILIGHEIDSLINSTRUCTIES VOOR SABELZAGEN

Houd het apparaat alléén aan de geïsoleerde grijpvlakken vast, wanneer u werkzaamheden uitvoert waarbij het snijgereedschap verborgen stroomleidingen zou kunnen raken.

Het contact van het snijgereedschap met een spanningvoerende leiding kan de metalen apparaatdelen onder spanning zetten en zo tot een elektrische schok leiden.

Gebruik lijkklampen of andere geschikte hulpmiddelen om het werkstuk aan een stabiele ondergrond te bevestigen. Als u het werkstuk met uw hand of met uw lichaam tegenhoudt, kan het wegglijden, waardoor u de controle kunt verliezen.

#### VERDERE VEILIGHEIDS- EN WERKINSTRUCTIES

Draag veiligheidsuitrusting. Bij werkzaamheden met de machine dient u altijd een veiligheidsbril te dragen. Veiligheidskleding zoals stofmasker, veiligheidshandschoenen, stevig en slipvast schoeisel, helm en gehoorbescherming worden aanbevolen.

Het gedurende het werken vrijkomende stof is doorgaans schadelijk voor de gezondheid en mag niet met het lichaam in aanraking komen. Draag derhalve een geschikt stofbeschermsmasker.

Het is niet toegestaan, materialen te bewerken waarvan een gezondheidsgevaar uitgaat (bijv. asbest).

Schakel het apparaat onmiddellijk uit als het gereedschap blokkeert! Schakel het apparaat niet in zolang het gereedschap geblokkeerd is; dit zou een terugslag met een hoog reactiemoment kunnen veroorzaken. Achterhaal en verhelp de oorzaak voor de blokkering van het gereedschap met inachtneming van de veiligheidsinstructies.

Mogelijke oorzaken voor de blokkering:

- kantelen in het te bewerken werkstuk
- doorbreken van het te bewerken materiaal
- overbelasting van het elektrische gereedschap

Grijp niet in de lopende machine.

Het gereedschap kan heet worden tijdens het gebruik.

**WAARSCHUWING!** Gevaar voor verbranding

- bij het vervangen van het gereedschap
- bij het neerleggen van het apparaat

Spanen of splinters mogen bij draaiende machine niet worden verwijderd.

Bij het werken in wanden, plafonds of vloeren oppassen voor elektriciteitsdraden, gas- of waterleidingen.

Borg uw werkstuk met behulp van een spaninrichting. Niet geborgde werkstukken kunnen ernstig letsel en grote schade veroorzaken.

Gescheurde zaagbladen of welke van vorm veranderd zijn, mogen niet gebruikt worden.

Insteekzagen is alleen in zachte materialen (hout, lichte bouwstoffen voor wanden) mogelijk. Bij hardere materialen (metalen) moet een boring overeenkomstig de grootte van het zaagblad aangebracht worden.

Voor alle werkzaamheden aan de machine de akku verwijderen.

Verbruikte akku's niet in het vuur of bij het huisvuil werpen. Milwaukee biedt namelijk een milieuvriendelijke recyclingmethode voor uw oude akku's.

Wisselakku's niet bij metalen voorwerpen bewaren (kortsluitingsgevaar!).

In de wisselakku-opnameschacht van het laadapparaat mogen géén metaaldeeltjes komen (kortsluitingsgevaar!).

Wisselakku's van het Akku-Systeem 18 V alléén met laadapparaten van het Akku-Systeem 18 V laden. Geen akku's van andere systemen laden.

Wisselakku's en laadapparaten niet openen en alleen in droge ruimtes opslaan. Tegen vocht beschermen.

Onder extreme belasting of extreme temperaturen kan uit de accu accu-vloeistof lopen. Na contact met accu-vloeistof direct afwassen met water en zeep. Bij oogcontact direct minstens 10 minuten grondig spoelen en onmiddellijk een arts raadplegen.

**Waarschuwing!** Voorkom brand, persoonlijk letsel of materiële schade door kortsluiting en dompel het gereedschap, de wisselaccu en het laadtoestel niet onder in vloeistoffen en waarborg dat geen vloeistoffen in de apparaten en accu's kunnen dringen. Corrosieve of geleidende vloeistoffen zoals zout water, bepaalde chemicaliën, bleekmiddelen of producten die bleekmiddelen bevatten, kunnen een kortsluiting veroorzaken.

**WAARSCHUWING!** Dit apparaat bevat een lithium-knooppcelbatterij. Een nieuwe of gebruikte batterij die wordt ingeslikt of anderszins in het lichaam terecht komt, kan ernstige inwendige verbrandingen veroorzaken en binnen minder dan 2 uur tot de dood leiden. Beveilig altijd het deksel van het batterijvakje.

Als het niet goed sluit, dient u het apparaat uit te schakelen, de batterij te verwijderen en deze buiten het bereik van kinderen te houden.

Wanneer u vermoedt dat een batterij is ingeslikt of in het lichaam is terechtgekomen, dient u onmiddellijk medische hulp in te roepen.

#### EG-VERKLARING VAN OVEREENSTEMMING

Wij als fabrikant verklaren in uitsluitende verantwoording dat het onder "Technische gegevens" beschreven product overeenstemt met alle relevante voorschriften van de richtlijnen 2011/65/EU (RoHS), 2014/30/EU, 2006/42/EG en de volgende geharmoniseerde normatieve documenten:

EN 62841-1:2015  
 EN 62841-2-11:2016/A1:2020  
 EN 55014-1:2017/A11:2020  
 EN 55014-2:2015  
 EN 62479:2010  
 EN 300 328 V2.2.2  
 EN 301 489-1 V2.2.3  
 EN 301 489-1 V3.2.4  
 EN IEC 63000:2018

Winnenden, 2021-08-16

*Alexander Krug*

Alexander Krug  
 Managing Director



Gemachtigd voor samenstelling van de technische documenten

Technic Industries GmbH  
 Max-Eyth-Straße 10  
 71364 Winnenden  
 Germany

#### VOORGESCHREVEN GEBRUIK VAN HET SYSTEEM

De reciprozaag zaagt hout, kunststof en metaal. Zagen van bochten, insteekzagen, en recht afzagen is mogelijk.

Dit apparaat uitsluitend gebruiken voor normaal gebruik, zoals aangegeven.

#### KEUZE VAN DE BEDRIJFSMODUS

Wacht totdat het apparaat volledig tot stilstand is gekomen voordat u de bedrijfsmodus omschakelt. Druk op de toets om de instellingen te wijzigen. Druk op de WLAN-toets om de vooraf ingestelde waarden via de ONE-KEY app op uw smartphone te wijzigen.

Automatische zaagstop stopt de reciprozaag nadat het materiaal volledig is doorgezaagd.

#### ONE-KEY™

Lees de bijgeleverde snelstartgids of kijk op onze website onder [www.milwaukeeetool.com/one-key](http://www.milwaukeeetool.com/one-key) voor meer informatie over de ONE-KEY-functie van dit gereedschap. U kunt de ONE-KEY app op uw smartphone downloaden via de App Store of Google Play.

Als het apparaat door elektrostatische ontladingen gestoord wordt, doof de led-snelheidsindicatie en kan de snelheid niet meer worden geregeld. Verwijder in dat geval de wisselaccu en de knooppcel en plaats deze opnieuw (zie pagina 6 en 16).

Storingen die door elektrostatische ontladingen worden veroorzaakt, onderbreken ook de bluetooth-communicatie. In dat geval moet de bluetooth-verbinding handmatig weer tot stand worden gebracht. De testresultaten voldoen aan onze minimumvereisten conform EN 55014-2 / EN 301489-1 / EN 301489-17.

#### ELEKTRISCHE REM

Als u de drukschakelaar loslaat, wordt het zaagblad binnen twee seconden gestopt door de elektrische rem. De elektrische rem kan echter ook vertraagd werken. Af en toe werkt de elektrische rem niet. Als de elektrisch rem vaker niet functioneert, moet de zaag naar een geautoriseerd Milwaukee servicepunt worden gebracht. Trek de zaag pas na stilstand van het zaagblad uit het werkstuk.

#### AKKU

Langere tijd niet toegepaste wisselakku's vóór gebruik altijd naladen.

Een temperatuur boven de 50°C vermindert de capaciteit van de accu. Langdurige verwarming door zon of hitte vermijden.

De aansluitcontacten aan het laadapparaat en de akku schoonhouden.

Voor een optimale levensduur moeten de accu's na het gebruik volledig opgeladen worden.

Voor een zo lang mogelijke levensduur van de accu's dienen deze na het opladen uit het laadtoestel te worden verwijderd.

Bij een langere opslag van de accu dan 30 dagen:

accu bij ca. 27 °C droog bewaren.

accu bij ca. 30 % - 50 % van de laadtoestand bewaren.

accu om de 6 maanden opnieuw opladen.

#### OVERBELASTINGSBEVEILIGING VAN DE ACCU

Bij overbelasting van de accu door een zeer hoog stroomverbruik, bijv. extreem hoge draaimomenten, klemmen, plotseling stoppen of kortsluiting, vibreert het elektrische gereedschap gedurende 2 seconden en schakelt dan automatisch uit.

Om het gereedschap weer in te schakelen, moet u de drukschakelaar loslaten en vervolgens weer inschakelen.

Onder extreme belastingen wordt de accu te heet. In dit geval schakelt hij uit.

## TRANSPORT VAN LITHIUM-IONEN-ACCU'S

Lithium-ionen-accu's vallen onder de wettelijke bepalingen inzake het transport van gevaarlijke goederen.

Voor het transport van deze accu's moeten de lokale, nationale en internationale voorschriften en bepalingen in acht worden genomen.

- Verbruikers mogen deze accu's zonder meer over de weg transporteren.
- Het commerciële transport van lithium-ionen-accu's door expeditiebedrijven is onderhevig aan de bepalingen inzake het transport van gevaarlijke goederen. De verzendingsvoorbereidingen en het transport mogen uitsluitend worden uitgevoerd door dienovereenkomstig opgeleide personen. Het complete proces moet vakkundig worden begeleid.

Onderstaande punten moeten bij het transport van accu's in acht worden genomen:

- Waarborg ter vermindering van kortsluitingen dat de contacten beschermd en geïsoleerd zijn.
- Let op dat het accupack in de verpakking niet kan verschuiven.
- Beschadigde of lekkende accu's mogen niet worden getransporteerd.

Neem voor meer informatie contact op met uw expeditiebedrijf.

## ONDERHOUD

Altijd de lichtspleten van de machine schoonhouden.

Gebruik uitsluitend Milwaukee toebehoren en onderdelen. Indien componenten die moeten worden vervangen niet zijn beschreven, neem dan contact op met een officieel Milwaukee servicecentrum (zie onze lijst met servicecentra).

Zo nodig kan een explosietekening van het apparaat worden aangevraagd bij uw klantenservice of direct bij Techtronic Industries GmbH, Max-Eyth-Straße 10, 71364 Winnenden, Duitsland onder vermelding van het machinetype en het zescijferige nummer op het typeplaatje.

## SYMBOLEN



OPGELET! WAARSCHUWING! GEVAAR!



Voor alle werkzaamheden aan de machine de accu verwijderen.



Graag instructies zorgvuldig doorlezen vóórdat u de machine in gebruik neemt.



Zorg dat knoopcelbatterijen niet worden ingeslikt!



Bij het werken met de machine altijd een veiligheidsbril dragen.



Toebehoren - Wordt niet meegeleverd. Is apart leverbaar. Zie hiervoor het toebehorenprogramma.



Afgedankte batterijen en afgedankte elektrische en elektronische apparatuur mogen niet samen via het huisafval worden afgevoerd. Afgedankte batterijen en afgedankte elektrische en elektronische apparatuur moeten gescheiden ingezameld en afgevoerd worden. Verwijder afgedankte batterijen, afgedankte accu's en verlichtingsmiddelen uit de apparatuur voordat u deze afvoert. Informeer bij uw gemeente of bij uw vakhandelaar naar recyclingbedrijven en inzamelpunten. Al naargelang de lokaal van toepassing zijnde voorschriften kunnen detailhandelaren verplicht zijn om afgedankte batterijen, afgedankte elektrische en elektronische apparatuur kosteloos terug te nemen. Geef uw afgedankte batterijen, afgedankte elektrische en elektronische apparatuur af voor recycling en help zo mee om de behoefte aan grondstoffen te verminderen. Afgedankte batterijen (vooral lithium-ion-batterijen), afgedankte elektrische en elektronische apparatuur bevatten waardevolle, recyclebare materialen die, mits ze niet milieuvriendelijk worden afgevoerd, negatieve gevolgen kunnen hebben voor het milieu en uw gezondheid. Verwijder persoonlijke gegevens van uw afgedankte apparatuur voordat u deze afvoert.



Onbelast toerental



Spanning



Gelijktroom

Europees symbool van overeenstemming



Brits symbool van overeenstemming



Oekraïens symbool van overeenstemming



Euro-Aziatisch symbool van overeenstemming

## TEKNISCHE DATA

## AKKU BAJONETSAV

## M18 ONEFSZ

Produktionsnummer .....	477908 03
.....	...000001-999999
Skæredybde max. i:	
Træ .....	300 mm
Stål .....	20 mm
Aluminium .....	25 mm
Uædle metaller .....	25 mm
Metallrør .....	150 mm
Slagantal, ubelastet .....	0-3000 min <sup>-1</sup>
Løfthøjde .....	32 mm
Udskiftningsbatteriets spænding .....	18 V
Bluetooth-version .....	4.2
Frekvensbånd .....	2400 – 2480 MHz
Radiofrekvensseffekt .....	0 dBm
Vægt svarer til EPTA-procedure 01/2014 (2,0 Ah - 12,0 Ah) .....	3,5 - 4,6 kg
Anbefalet temperatur under arbejdet .....	-18...+50 °C
Anbefalede batterityper .....	M18B2... M18HB12
Anbefalede opladere .....	M12-18 ... ; M1418C6

## Støj/Vibrationsinformation

Måleværdier beregnes iht. EN 62841.

Værktøjets A-vægtede lydtrykniveau er typisk

Lydtrykniveau (Usikkerhed K=3dB(A)).....88,15 dB (A)

Lydeffekt niveau (Usikkerhed K=3dB(A)).....99,15 dB (A)

## Brug høreværn!

Samlede vibrationsværdier (værdisum for tre retninger) beregnet iht. EN 62841.

Savning af træ \*1

Vibrationseksponering a<sub>h,vib</sub>.....20,18 m/s<sup>2</sup>

Usikkerhed K=.....1,5 m/s<sup>2</sup>

Savning af træbjælker \*2

Vibrationseksponering a<sub>h,vib</sub>.....19,53 m/s<sup>2</sup>

Usikkerhed K=.....1,5 m/s<sup>2</sup>

\*1 med savklinge bimetal, str. 150 x 1,25 mm og tandafstand 5 mm

\*2 med savklinge bimetal, str. 230 x 1,25 mm og tandafstand 5 mm

## ADVARSEL

Det vibrations- og støjemissionsniveau, der nævnes i dette oplysningskema, er blevet målt i overensstemmelse med en standardiseret test fra EN 62841, og det kan bruges til at sammenligne ét værktøj med et andet. Det kan bruges til en foreløbig bedømmelse af eksponeringen.

Det erklærede vibrations- og støjemissionsniveau repræsenterer værktøjets primære anvendelsesformål. Det er dog sådan, at hvis værktøjet bruges til andre formål, med forskelligt tilbehør eller dårlig vedligehold, så kan vibrations- og støjemissionen variere. Det kan evt. øge eksponeringsniveauet markant i løbet af det samlede arbejdstidsrum.

En vurdering af eksponeringsniveauet ift. vibration og støj bør også tage hensyn til de tidspunkter, hvor værktøjet er slukket eller hvor det kører, men rent faktisk ikke udfører jobbet. Det kan evt. mindske eksponeringsniveauet markant i løbet af det samlede arbejdstidsrum.

Identificér yderligere sikkerhedsforanstaltninger med henblik på at beskytte brugeren mod effekten af vibration og/eller støj, som fx: vedligehold værktøjet og tilbehøret, hold hænderne varme, organisering af arbejdsmonstre.

**ADVARSEL** Læs alle advarselsinformationer, anvisninger, figurer og specifikationer, som følger med dette el-værktøj. En manglende overholdelse af alle nedenstående anvisninger kan medføre elektrisk stød, brand og/eller alvorlige kvæstelser.

## SIKKERHEDSINSTRUKTIONER FOR FREM- OG TILBAGEGÅENDE SAVE

Hold maskinen fast i de isolerede gribeplader, når du udfører arbejde, hvor der er risiko for, at skæreværktøjet kan ramme skjulte strømledninger.

Kommer skæreværktøjet i kontakt med en strømførende ledning, kan maskinens metaldele komme under spænding og give elektrisk stød.

Brug skruetvinger eller andre praktiske hjælpemidler til at fastgøre arbejdsemnet på et stabilt under lag med. Hvis arbejdsemnet holdes med hånden, eller presses der imod med kroppen, kan emnet skride, hvilket kan føre til, at du mister kontrollen.

## YDERLIGERE SIKKERHEDS- OG ARBEJDSINFORMATIONER

Brug beskyttelsesudstyr. Bær altid sikkerhedsbriller, når du arbejder med maskinen. Vi anbefaler desuden brug af personlig beskyttelsesudrustning, såsom støvmaske, sikkerhedshandsker, fast og skridsikkert skotøj, hjem og høreværn.

Støv, som opstår under arbejdet, er ofte sundhedsfarligt og bør ikke trænge ind i kroppen. Benyt egnet åndedrætsværn.

Der må ikke bearbejdes nogen materialer, der kan udgøre en sundhedsrisiko (f.eks. asbest).

Sluk straks for maskinen, hvis indsatsværktøjet er blokeret! Tænd ikke for maskinen igen, så længe indsatsværktøjet er blokeret; dette kan føre til et tilbageslag med høj reaktionsmoment. Find frem til og afhjælp årsagen til indsatsværktøjets blokering under hensyntagen til sikkerhedsinstruktionerne.

Mulige årsager hertil kan være:

- at det sidder i klemme i emnet der bearbejdes
- at det har brækket materialet der bearbejdes
- at el-værktøjet er overbelastet

Grib ikke ind i maskinen, når den kører.

Indsatsværktøjet kan blive varmt under brugen.

**ADVARSEL!** Fare for forbrændinger

- ved værktøjsskift
- når man lægger maskinen fra sig

Spåner eller splinter må ikke fjernes, medens maskinen kører.

Ved arbejdsboring i væg, loft eller gulv skal man passe på elektriske kabler, gas- og vandledninger.

Sørg for at sikre dit emne med en spændeanordning. Ikke sikrede emner kan forårsage alvorlige kvæstelser og beskadigelser.

Ridsede savklinger eller sådanne, som har ændret form, må ikke bruges.

Dyksavning er kun muligt i blødere materialer (træ, lette bygningsmaterialer til vægge, ved hårdere materialer (metaller) skal der anbringes et hul, hvis størrelse svarer til savklingen.

Ved arbejde inden i maskinen, bør batteriet tages ud.

Opbrugte udskiftningsbatterier må ikke brændes eller kasseres sammen med alm. husholdningsaffald. Milwaukee har en miljørigtig bortskaffelse af gamle udskiftningsbatterier, henvend Dem til Deres forhandler.

Opbevar ikke udskiftningsbatterier sammen med metalgenstande af fare for kortslutning.

Metaldele o.lign må ikke komme i berøring med rummet beregnet for udskiftningsbatteriet (kortslutningsfare).

Brug kun 18 V ladeapparater for opladning af System 18 V batterier.

Udskiftningsbatterier og opladere må ikke åbnes og skal opbevares i tørre rum. Beskyt dem mod fugtighed.

I tilfælde af en ekstrem belastning eller ekstrem temperatur kan der flyde batterivæske ud af et beskadiget batteri. Hvis De kommer i berøring med batterivæsken, skal den vaskes godt og grundigt af med vand og sæbe. I tilfælde af øjenkontakt, skal man mindst skylle øjnene godt og grundigt igennem i 10 minutter og omgående opsøge en læge.

**Advarsel!** For at undgå risiko for brand, kvæstelser eller beskadigelse af produktet forårsaget af kortslutning må værktøjet, batteripakken eller opladeren ikke nedsænkes i vand. Sørg ligeledes for, at der ikke trænger væske ind i enhederne og batterierne. Korroderende eller ledende væsker, f.eks. saltvand, bestemte kemikalier, blegestoffer eller produkter, som indeholder blegestoffer, kan forårsage kortslutning.

**ADVARSEL!** Denne enhed indeholder et lithium-knappbatteri. Et nyt eller brugt batteri kan forårsage alvorlige indre forbrændinger på mindre end 2 timer og resultere i død, hvis det sluges eller kommer ind i kroppen. Sørg altid for, at dækslet til batteriet er forsvarligt lukket. Hvis det ikke lukker ordentligt, sluk da for enheden og tag batteriet ud og opbevar det uden for børns rækkevidde. Hvis du har en formodning om, at batterier er blevet slugt eller kommet ind i kroppen, opsøges læge omgående.

## EF-OVERENSSTEMMELSESERKLÆRING

Vi erklærer som producent og eneansvarlig, at produktet, der er beskrevet under "Tekniske data", er i overensstemmelse med alle relevante bestemmelser i henhold til direktiverne 2011/65/EU (RoHS), 2014/30/EU, 2006/42/EF og nedenstående harmoniserede normative dokumenter:

EN 62841-1:2015  
EN 62841-2-11:2016/A1:2020  
EN 55014-1:2017/A11:2020  
EN 55014-2:2015  
EN 62479:2010  
EN 300 328 V2.2.2  
EN 301 489-1 V2.2.3  
EN 301 489-1 V3.2.4  
EN IEC 63000:2018

Winnenden, 2021-08-16

Alexander Krug  
Managing Director



Autoriseret til at udarbejde de tekniske dokumenter.

Techtronic Industries GmbH  
Max-Eyth-Straße 10  
71364 Winnenden  
Germany

## TILTÆNKT FORMÅL

Bajonetsaven kan anvendes til træ, plast og metal. Bajonetsaven afskærer plant til overfladen, i kurver, indvendig udskæring og i rør.

Produktet må ikke anvendes på anden måde og til andre formål end foreskrevet.

## VALG AF DRIFTSMÅDE

Inden driftsmåden ændres, skal du vente, indtil enheden står helt stille. For at ændre indstillingerne trykkes der på tasten . Tryk på WLAN-tasten for at ændre de forhåndsindstillede værdier via ONE-KEY app'en på din smartphone.

Automatisk savstop : stopper stempelsaven, efter at materialet er fuldstændigt savet igennem.

## ONE-KEY™

For at få mere at vide om værktøjets ONE-KEY funktion, bedes du læse den vedhæftede hurtigstart-vejledning eller besøge os på internettet på [www.milwaukeeetool.com/one-key](http://www.milwaukeeetool.com/one-key). Du kan downloade ONE-KEY app'en på din smartphone via App Store eller Google Play.

Hvis enheden bliver forstyrret af elektrostatiske afladninger, slukker LED-hastighedsvisningen og hastigheden kan ikke længere reguleres. I dette tilfælde skal det udskifkelige batteri og møntcelle tages ud og sættes i på ny (se side 6 og side 16).

Følg forårsaget af elektrostatiske afladninger fører togså til en afbrydelse af Bluetooth-kommunikationen. I dette tilfælde skal Bluetooth-forbindelsen genetableres manuelt. Testresultaterne opfylder vores minimumskrav i henhold til EN 55014-2 / EN 301489-1 / EN 301489-17.

## ELEKTRISK BREMSE

Den elektriske bremse stopper savklingen i løbet af 2 sekunder, når man slipper kontakten. Den elektriske bremse kan dog også virke med forsinkelse. Af og til virker den elektriske bremse overhovedet ikke. Hvis den elektriske bremse hyppigt ikke virker, skal saven indsendes til et autoriseret Milwaukee serviceværksted. Først når savklingen er standset helt, må saven trækkes ud af emnet.

## BATTERI

Udskiftningsbatterier, der ikke har været brugt i længere tid, efterlades inden brug.

Ved temperaturer over 50°C forminskes batteriets effekt. Undgå direkte sollys og stærk varme.

Tilslutningskontakterne på oplader og udskiftningsbatterier skal holdes rene.

For at opnå en optimal levetid skal de genopladelige batterier oplades fuldt efter brug.

For at sikre en så lang levetid som muligt skal batterierne tages ud af ladeaggregatet efter opladning.

Skal batterierne opbevares længere end 30 dage:  
Temperatur ca. 27°C i tørre omgivelser.  
Opbevares ved ca. 30%-50% af ladetilstanden.  
Batteri skal genoplades hver 6. måned.

## OVERBELASTNINGSSIKRING FOR BATTERI

Overbelastes batteriet på grund af meget højt strømforbrug, f.eks. som følge af ekstremt høje drejningsmomenter, fastklemning, pludseligt stop eller kortslutning, brummer el-værktøjet i 2 sekunder og slukker så af sig selv.

For at tænde igen slipper du trykknappen og tænder el-værktøjet på ny. Under ekstreme belastninger kan batteriet blive meget varmt. I så fald kobler batteriet fra.

## TRANSPORT AF LITHIUM-BATTERIER

Lithium-batterier er omfattet af lovgivningen om transport af farligt gods.

Transporten af disse batterier skal ske under overholdelse af lokale, nationale og internationale regler og bestemmelser.

- Forbrugere må transportere disse batterier på veje uden yderligere krav.
- Den kommercielle transport af lithium-batterier ved speditiionsfirmaer er omfattet af reglerne for transport af farligt gods. Forberedelsen af

forsendelse og transport må kun udføres af tilsvarende trænedede personer. Den samlede proces skal følges af fagfolk.

Følgende punkter skal overholdes ved transport af batterier:

- Sørg for at kontakterne er beskyttet og isoleret for at forhindre kortslutninger.
- Sørg for at batteripakken ikke kan bevæge sig inden for emballagen.
- Beskadigede eller lækkende batterier må ikke transporteres.

Kontakt dit speditiionsfirma for at få yderligere oplysninger.

## VEDLIGEHOLDELSE

Hold altid maskinens ventilationsåbninger rene.

Brug kun Milwaukee-tilbehør og Milwaukee-reservedele. Komponenter, hvor udskiftningsproceduren ikke er beskrevet, skal skiftes ud hos et Milwaukee-servicested (se brochure garanti/kundeserviceadresser).

Hvis det er nødvendigt, kan der bestilles en sprængskitse af værktøjet. Angiv herved venligst maskintypen samt det sekscifrede nummer på mærkepladen og bestil tegningen hos din lokale kundeserviceafdeling eller direkte hos Techtronic Industries GmbH, Max-Eyth-Straße 10, 71364 Winnenden, Tyskland.

## SYMBOLER



VIGTIGT! ADVARSEL! FARE!



Ved arbejde inden i maskinen, bør batteriet tages ud.



Læs brugsanvisningen nøje før ibrugtagning.



Slug ikke knappbatterier!



Når der arbejdes med maskinen, skal man have beskyttelsesbriller på.



Tilbehør - Ikke inkluderet i leveringsomfanget, køb købes som tilbehør.



Udtjente batterier, affald af elektrisk og elektronisk udstyr må ikke bortskaffes sammen med husaffald. Udtjente batterier, affald af elektrisk og elektronisk udstyr skal indsamles og bortskaffes særskilt.

Fjern udtjente batterier, udtjente akkumulatører og lysmidler fra udstyret, inden det bortskaffes. Spørg efter genbrugsstationer og indsamlingssteder hos de lokale myndigheder eller din fagforhandler. Alt efter de lokale bestemmelser kan detailhandlere være forpligtede til gratis at tage brugte batterier, affald af elektrisk og elektronisk udstyr tilbage. Bidrag til at nedbringe behovet for råmaterialer ved at genbruge og genanvende dine udtjente batterier, affald af elektrisk og elektronisk udstyr.

Udtjente batterier (især lithium-ion-batterier), affald af elektrisk og elektronisk udstyr indeholder værdifulde, genanvendelige materialer, som kan have en negativ effekt på miljøet og dit helbred ved ikke miljørigtig bortskaffelse.

Slet inden bortskaffelsen personrelaterede data, som måtte finde sig på dit affald af udstyret.

	Slagantal, ubelastet
	Spænding
	Jævnstrøm
	Europæisk konformitetsmærke
	Britisk konformitetsmærke
	Ukrainsk konformitetsmærke
	Eurasisk konformitetsmærke

TEKNISKE DATA	BATTERIDREVET SABELSAG	M18 ONEFSZ
Produksjonsnummer.....		477908 03 ...000001-999999
Kuttedybde maks. in:		
Mykt treverk .....		300 mm
Stål.....		20 mm
Aluminium .....		25 mm
Uedelt metall .....		25 mm
Metallrør.....		150 mm
Tomgangsslagfall.....		0-3000 min <sup>-1</sup>
Slaghøyde .....		32 mm
Spenning vekselbatteri .....		18 V
Bluetooth-versjon .....		4.2
Frekvensbånd .....		2400 – 2480 MHz
Sendeeffekt .....		0 dBm
Vekt i henhold til EPTA-Prosedyren 01/2014 (2,0 Ah - 12,0 Ah).....		3,5 ... 4,6 kg
Anbefalt omgivelsestemperatur under arbeid.....		-18...+50 °C
Anbefalte batterityper .....		M18B2... M18HB12
Anbefalte ladere .....		M12-18 ... ; M1418B36

### Støy/Vibrasjonsinformasjon

Måleverdier fastslått i samsvar med EN 62841.

Det A-bedømte lyd nivået til maskinen er:

Lydtryknivå (Usikkerhet K=3dB(A)).....	88, 15 dB (A)
Lydeffektnivå (Usikkerhet K=3dB(A)).....	99, 15 dB (A)

### Bruk hørselsvern!

Totale svingningsverdier (vektorsum fra tre retninger) beregnet jf. EN 62841.

Saging av tre *1	
Svingningsemisjonsverdi a <sub>h,B</sub> .....	20, 18 m/s <sup>2</sup>
Usikkerhet K= .....	1, 5 m/s <sup>2</sup>
Saging av trebjelker *2	
Svingningsemisjonsverdi a <sub>h,WB</sub> .....	19, 53 m/s <sup>2</sup>
Usikkerhet K= .....	1, 5 m/s <sup>2</sup>

\*1 med sagblad bimetal, størrelse 150 x 1,25 mm og tannavstand 5 mm

\*2 med sagblad bimetal, størrelse 230 x 1,25 mm og tannavstand 5 mm

### ADVARSEL

De angitte vibrasjonseksposering- og støynivåverdiene har blitt målt i samsvar med standardiserte målemetoder jmfør EN 62841 og kan brukes til å sammenligne et verktøy med et annet. De kan brukes til en foreløpig eksponeringsvurdering.

De angitte vibrasjonseksposering- og støyemisjonsverdiene gjelder for vanlig bruk av verktøyet. Dersom verktøyet blir brukt til noe annet, sammen med annet utstyr eller er dårlig vedlikeholdt kan de angitte vibrasjonseksposering- og støyeverdiene variere. Dette kan øke eksponerings- og emisjonsverdiene betraktelig for hele perioden du bruker verktøyet.

Når en vurderer vibrasjonseksposeringsnivået og støyeverdi må en inkludere den perioden som verktøyet er slått av eller når verktøyet går, men ikke direkte brukes til noe. Dette kan redusere eksponeringsnivået betraktelig over hele perioden som verktøyet er i bruk.

Det er viktig å etablere ytterligere sikkerhetstiltak for å beskytte brukeren mot påvirkning av vibrasjon og/eller støy, slik som: vedlikehold av verktøyet og tilleggsutstyr, hold hendene varme, organiserte arbeidsrutiner.

**ADVARSEL!** Les gjennom alle sikkerhets advarsler, anvisninger, illustrasjoner og spesifikasjoner for dette elektroverktøyet. Feil ved overholdelsen av advarslene og nedenstående anvisninger kan medføre elektriske støt, brann og/eller alvorlige skader.

### SIKKERHETS INSTRUKSER FOR SABELSAGER

Hold apparatet i de isolerte holdeflatene, når det arbeides på steder hvor elektroverktøyet kan treffe skjulte strømledninger.

Kontakt med en ledning som er under spenning, kan også sette metalldeleler til apparatet under spenning og føre til et elektrisk slag.

Bruk en skruestikke eller andre praktiske hjelpemidler for å feste arbeidsstykket på et stabilt underlag. Å holde arbeidsstykket med hånden eller trykke det kroppen, gjør det ustabil og det kan føre til at man mister kontrollen over arbeidsstykket.

### YTTERLIGE SIKKERHETS- OG ARBEIDSinSTRUKSJONER

Bruk vernebekledning. Ta alltid på vernehjelm ved bruk av maskinen. Vernebekledning så vel som støvmaske, verneshansker, fast og sklisikkert skotøy, hjem og hørselsvern er anbefalt.

Støvet som oppstår ved arbeidet er ofte helsefarlig og skal ikke komme i kontakt med kroppen. Bruk derfor vernemaske som er egnet for støv.

Materialer som er helsefarlig skal ikke bearbeides (f.eks.. asbest)

Slå av apparatet med en gang dersom det isatte verktøyet er blokkert! Ikke slå apparatet på igjen så lenge det isatte verktøyet er blokkert; her kan det oppstå et tilbakeslag med høyt reaksjonsmoment. Finn ut hvorfor det isatte verktøyet blokkerer og fjern årsaken til dette. Ta herved hensyn til sikkerhets instruksene.

Mulige årsaker til dette kan være:

- det har forkantert seg i arbeidsemnet som bearbeides
- det har brekt igjennom materialet som bearbeides
- elektroverktøyet er overbelastet

Ikke grip inn i maskinen når den står på og går.

Isatt verktøy kan i bruk bli veldig varmt.

**ADVARSEL!** Fare for forbrenning

- ved skifting av verktøy
- når apparatet legges ned

Spon eller filser må ikke fjernes mens maskinen er i gang.

Pass på kabler, gass- og vannledninger når du arbeider i vegger, tak eller gulv.

Klem fast arbeidsemnet med en spenninretning. Ikke sikrede arbeidsemner kan ha alvorlige helseskader og skader av material til følge.

Sagblad som har sprekker eller som har endret form må ikke brukes!

Dykksgaging er kun mulig i bløtere materialer (treverk, lettere byggematerialer for vegger), for hardere materialer (metaller) må det brukes et sagblad med tilsvarende stor boring.

Ta ut vekselbatteriet før du arbeider på maskinen

Ikke kast brukte vekselbatterier i varmen eller husholdningsavfallet. Milwaukee tilbyr en miljøriktig deponering av gamle vekselbatterier; vennligst spør din fagforhandler.

Ikke oppbevar vekselbatterier sammen med metallgjenstander (kortslutningsfare).

Metalldeleler må ikke komme inn i innskyvningsjakten for vekselbatterier på ladere (kortslutningsfare).

Vekselbatterier av systemet 18 V skal kun lades med lader av systemet 18 V. Ikke lad opp batterier fra andre systemer.

Ikke åpne vekselbatterier og ladere, de skal oppbevares i tørre rom. Beskyttes mot fuktighet.

Under ekstreme belastninger og ekstreme temperaturer kan det lekket ut batterivæske fra utskiftbare batterier. Ved berøring med batterivæske, vask umiddelbart med såpe og vann. Ved kontakt med øynene må øynene skylles grundig i rennende vann i minst 10 minutter. Oppsøk lege umiddelbart.

**Advarsel!** For å unngå fare for en brann forårsaket av en kortslutning, av personskader eller skader av produktet, må det forhindres at batteripakken eller laderen dryppes i væsker og også sørges for at ingen væsker kan komme inn i apparatene eller batteriene. Korroderende og ledende væsker som saltvann, visse kjemikalier og blekemidler eller produkt som inneholder blekemidler kan forårsake en kortslutning.

**ADVARSEL!** Dette apparatet inneholder en litium knappcellebatteri. Et nytt eller brukt batteri kan forårsake alvorlige indre forbrenninger og føre til døden i løpet av mindre enn 2 timer dersom det svelges eller kommer inn i kroppen. Sikre alltid lokket til batterirrommet. Dersom det ikke lukker seg sikkert, må apparatet slås av, fjern batteriet og oppbevar det utilgjengelig for barn. Hvis du tror at batterier har blitt svelget eller har kommet inn i kroppen, må du søke øyeblikkelig legehjelp.

### EU-SAMSVARSEKLERING

Vi erklærer under eget ansvar at produktet som beskrives under «Tekniske data» samsvarer med alle relevante forskrifter i direktivene 2011/65/EU (RoHS), 2014/30/EF, 2006/42/EF og de følgende harmoniserte normative dokumentene:

EN 62841-1:2015  
EN 62841-2-11:2016/A1:2020  
EN 55014-1:2017/A11:2020  
EN 55014-2:2015  
EN 62479:2010  
EN 300 328 V2.2.2  
EN 301 489-1 V2.2.3  
EN 301 489-17 V3.2.4  
EN IEC 63000:2018

Winnenden, 2021-08-16



Alexander Krug  
Managing Director



Autorisert til å utarbeide den tekniske dokumentasjonen

Technronic Industries GmbH  
Max-Eyth-Straße 10  
71364 Winnenden  
Germany


### FORMALSMESSIG BRUK

Bajonettsgagen sager treverk, plast og metall. Den skjærer rett, kurver og innvendige utsnitt. Den skjærer røt og skiller i flukt med flater.

Dette apparatet må kun brukes til de oppgitte formål.

### VALG AV DRIFTSMODUS

For endring av driftsmodus må det ventes til apparatet står helt stille. For å forandre innstillingene, trykk tast . Trykk WiFi tasten  for å endre de forinnstilte verdiene via ONE-KEY Appen på din smartphone.

Automatisk sagstopp  stopper stempelsagen etter at materialet er helt saget.

### ONE-KEY™

Ytterligere informasjon om ONE-KEY funksjonaliteten til dette verktøyet finnes i vedliggende Quick-Start anvisning eller på internett under: [www.milwaukeetool.com/one-key](http://www.milwaukeetool.com/one-key). ONE-KEY Appen kan lastes ned på smartphonen din via App Store eller Google Play.

Forstyrres apparatet av en elektrostatisk utlading, slås LED hastighetvisningen seg av og hastigheten lar seg ikke lenger reguleres. I slike tilfeller, må det oppladbare batteriet og knappecellen fjernes og settes inn igjen på nytt (se side 6 og side 16). Forstyrrelser forårsaket av elektrostatiske utladninger fører også avbrudd av Bluetooth-tilkoblingen. I slike tilfeller må Bluetooth-forbindelsen gjenopprettes manuelt. Testresultatene oppfyller våre minimumskrav i henhold til EN 55014-2 / EN 301489-1 / EN 301489-17.

### ELEKTRISK BREMSE

Ved å slippe trykkbryteren blir sagbladet stoppet innen 2 sekund av en elektrisk bremse. Det kan dog skje at den elektriske bremsen reagerer forsinket. Av og til hender det at den elektriske bremsen ikke virker. Skulle det skje at den elektriske bremsen ofte ikke virker, må saken bringes til et autorisert Milwaukee servicested. Trekk saken ut av arbeidsstykke etter at saken står stille.

### BATTERIER

Vekselbatterier som ikke er brukt over lengre tid skal etterlades før bruk.

En temperatur over 50°C reduserer vekselbatteriets kapasitet. Unngå oppvarming i sol eller ved varmeovner (fyring) i lengre tid.

Hold tilkopplingskontaktene på lader og vekselbatteri rene.

For en optimal levetid må batteriene etter bruk ladet helt opp.

For å sikre en lengst mulig brukstid av batteriene skal disse etter oppladning taes ut av laderen.

Ved lagring av batteriene lengre enn 30 dager: Lagre batteriet tørt ved ca. 27°C. Lagre batteriet ved en oppladningstilstand på ca. 30%-50%. Lade opp batteriet igjen etter 6 måneder.

### OVERBELASTNINGSVERN FOR OPPLADBARE BATTERIER

Ved overbelastning av det oppladbare batteriet p.g.a. svært høy strømforsøk, for eksempel ved ekstrem høye dreiemoment, fastklemming, plusselig stopp eller kortslutning, brummer elektroverktøyet 2 sekunder og slår seg så automatisk av. For å slå det på igjen, må man slippe trykkbryteren og så slå på igjen. Ved ekstreme belastninger kan det oppladbare batteriet bli sterkt opphetet. I slike tilfeller kobler batteriet seg ut.

### TRANSPORT AV LITUM-ION-BATTERI

Litium-ion-batterier faller under de lovfestede forskriftene om transport av farlig gods.

Transporten av disse batteriene må rette seg etter lokale, nasjonale og internasjonale forskrifter og bestemmelser.

- Forbruker har lov å transportere disse batteriene på gaten uten reglementering.
- Den kommersielle transport av Litium-ion-batterier av spedisjonsfirma faller under bestemmelsene om transport av farlig gods. Forberedningene av forsendelsen og transport skal utelukkende gjennomføres av personer som har blitt skolert til dette. Hele prosessen skal følges opp av fagfolk.

Følgende punkter skal tas hensyn til ved transport:

- Kontroller at kontaktene er beskyttet og isolert for å unngå kortslutninger.
- Pass på at batteripakken i forpakningen ikke kan skli fram og tilbake.
- Skadede eller batterier som lekker er det ikke lov å transportere.

Ta kontakt med spedisjonsfirma for ytterlige henvisninger.

#### VEDLIKEHOLD

Bruk kun AEG tilbehør og AEG reservedeler. Komponenter der utskiftning ikke er beskrevet skal skiftes ut hos AEG kundeservice (se brosjyre garanti/kundeserviceadresser).

Ved behov kan det fås en eksplosjonstegning av apparatet hos kundeservice eller direkte hos Techtronic Industries GmbH, Max-Eyth-Straße 10, 71364 Winnenden, Germany ved angivelse av maskinens type og det sekstallige nummeret på maskinens skilt.

#### VEDLIKEHOLD

Hold alltid lufteåpningene på maskinen rene.

Bruk kun Milwaukee tilbehør og Milwaukee reservedeler. Komponenter der utskiftning ikke er beskrevet skal skiftes ut hos Milwaukee kundeservice (se brosjyre garanti/kundeserviceadresser).

Ved behov kan det fås en eksplosjonstegning av apparatet hos kundeservice eller direkte hos Techtronic Industries GmbH, Max-Eyth-Straße 10, 71364 Winnenden, Germany ved angivelse av maskinens type og det sekstallige nummeret på maskinens skilt.

#### SYMBOLER



OBS! ADVARSEL! FARE!



Ta ut vekselbatteriet før du arbeider på maskinen



Les nøye gjennom bruksanvisningen før maskinen tas i bruk.



Knoppcellebatteriet må ikke svelges!



Bruk alltid vernebrille når du arbeider med maskinen.



Tilbehør - inngår ikke i leveransen, anbefalt komplettering fra tilbehørsprogrammet.



Elektrisk og elektronisk avfall skal ikke avfallshåndteres sammen med husholdningsavfallet. Brukte batterier, elektrisk og elektronisk avfall skal samles kildesortert og avfallshåndteres. Fjern brukte batterier, akkumulatører og lysmidler fra apparatene før de kasseres. Be om informasjon hos de lokale myndighetene eller hos din fagforhandler om miljøstasjoner og samlesteder. Avhengig av de lokale bestemmelsene kan detaljhandlere være forpliktet til å ta tilbake brukte batterier, elektrisk og elektronisk avfall uten kostnader. Bidra til å redusere behovet for råmaterialer ved å sørge for gjenbruk og resirkulering av dine brukte batterier og ditt elektriske og elektroniske avfall. Brukte batterier (særlig litium-ion-batterier), elektrisk og elektronisk avfall inneholder verdifulle, gjenbrukbare materialer som ved ikke-miljøriktig avfallshåndtering kan ha negative konsekvenser for miljøet og din helse. Slett først eventuelle personrelaterte data fra det brukte apparatet før det avfallshåndteres.

$n_h$

Tomgangssløttall

V

Volt



Likestrøm



Europeisk samsvarsmerke



Britisk samsvarsmerke



Ukrainsk samsvarsmerke



Euroasiatisk samsvarsmerke

#### TEKNISKA DATA

#### BATTERIDRIVEN TIGERSÅG

#### M18 ONEFSZ

Produktionsnummer .....	477908 03
.....	...000001-999999
Sågdjup max i:	
Mjukt tre .....	300 mm
Stål .....	20 mm
Aluminium .....	25 mm
Mjukt metall .....	25 mm
Metallrør .....	150 mm
Tomgangssløttal .....	0-3000 min <sup>-1</sup>
Slaglængd .....	32 mm
Batterispänning .....	18 V
Bluetooth-Version .....	4.2
Frekvensband .....	2400 – 2480 MHz
Radiofrekvenseffekt .....	0 dBm
Vikt enligt EPTA 01/2014 (2,0 Ah - 12,0 Ah) .....	3,5 ... 4,6 kg
Rekommenderad omgivningstemperatur vid arbete .....	-18 ... +50 °C
Rekommenderede batterityper .....	M18B2... M18HB12
Rekommenderede laddare .....	M12-18 ... ; M1418C6

#### Buller-/vibrasjonsinformasjon

Måtværdene har tagits fram baserande på EN 62841.

A-värdet av maskinens ljudtrycksnivå är

Ljudtrycksnivå (Onoggrannhet K=3dB(A)) .....

Ljudeffektsnivå (Onoggrannhet K=3dB(A)) .....

#### Använd hörselskydd!

Totala vibrationsvärdet (vektorsumma ur tre riktningar) framtaget enligt EN 62841.

Sågning i trä \*1

Vibrationsemissionsvärde  $a_{h,B}$  .....

Onoggrannhet K= .....

Såga träbjälkar \*2

Vibrationsemissionsvärde  $a_{h,WB}$  .....

Onoggrannhet K= .....

\*1 med sågblad bimetal, storlek 150 x 1,25 mm och tanddelning 5 mm

\*2 med sågblad bimetal, storlek 230 x 1,25 mm och tanddelning 5 mm

#### WARNING

De deklarerade vibrations- och bullernivåerna på detta informationsblad har uppmåtts i enlighet med en standardiserad testmetod enligt EN 62841 och kan användas för att jämföra ett verktyg med ett annat. Det kan användas för en preliminär bedömning av exponeringen.

Den angivna vibrations- och bullernivån representerar verktygets huvudsakliga tillämpningar. Om verktyget emellertid används för olika tillämpningar, med olika eller dåligt underhållna tillbehör, kan vibrations- och bullerutsläppet variera. Detta kan öka exponeringsnivån avsevärt över den totala arbetsperioden.

En uppskattning av exponeringsnivån för vibrationer och buller bör även ta hänsyn till de tider då verktyget är avstängt eller när det körs utan att faktiskt arbeta. Detta kan avsevärt minska exponeringsnivån över den totala arbetsperioden.

Identifera ytterligare säkerhetsåtgärder för att skydda operatören mot effekterna av vibrationer och/eller buller såsom: underhåll av verktyget och tillbehören, hålla händerna varma, organisation av arbetsmönster.

**! WARNING! Läs noga igenom alla säkerhetsanvisningar, illustrationer och specifikationer som medföljer detta elverktyg.** Fel som uppstår till följd av att anvisningarna nedan inte följts kan orsaka elstöt, brand och/eller allvarliga kroppsskador.

#### ! SÄKERHETSANVISNINGAR FÖR TIGERSÅGAR

**Håll fast apparaten med hjälp av de isolerade greppytorna när du utför arbeten där arbetsverktyget skulle kunna träffa på dolda elledningar.**

Om man kommer i kontakt med en spänningsförande ledning, så kan även de delar på verktyget som är av metall bli spänningsförande och leda till att man får en elektrisk stöt.

**Använd ett eller flera skruvstöd eller ett annat praktiskt hjälpmedel för att fästa arbetsstycket på ett stabilt underlag.** Om du försöker hålla fast arbetsstycket med handen eller trycker emot med kroppen finns risk att arbetsstycket flyttar sig och att du förlorar kontrollen.

#### ÖVRIGA SÄKERHETS- OCH ANVÄNDNINGSinSTRUKTIONER

Använd skyddsutrustning. Använd alltid skyddsglasögon när du använder maskinen. Som skyddsutrustning rekommenderar vi i ex en dammskyddsmask, skyddshandskar, stabila och halksäkra skor, hjälm och hörselskydd.

Det damm som bildas under arbetets gång är ofta hälsofarligt och det ska inte komma in i kroppen. Bär därför lämplig skyddsmask.

Det är inte tillåtet att bearbeta material som kan vara hälsovådligt (t.ex. asbest).

Stäng av maskinen omedelbart om ett verktyg som används sitter fast! Sätt sedan inte på maskinen igen så länge som verktyget som används fortfarande sitter fast; risk för okontrollerade slag med högt reaktionsmoment. Ta reda på orsaken varför verktyget fastnade och åtgärda orsaken med hänsyn till säkerhetsanvisningarna.

Möjliga orsaker kan vara:

- Verktyget sitter snett i arbetsstycket
- Verktyget går igenom materialet som bearbetas
- Elverktyget är överbelastat

Gå aldrig med händerna in i en maskin som är igång.

Verktyget som används kan bli mycket varmt under användningen.

**WARNING!** Risk för brännskador

- vid verktygsbyte
- när man lägger ifrån sig maskinen

Avlägsna aldrig spån eller flisor när maskinen är igång.

Vid arbetenbörning i vägg, tak eller golv, var alltid observant på befintliga el-, gas- eller vattenledningar.



Säkra arbetsstycket med en fastspänningsanordning. Arbetsstycken som inte är ordentligt fastspända kan leda till allvarlig kroppsskada eller annan skada.

Spruckna sågklingor eller sådana som förändrat form får ej användas!

Är endast möjlig i mjuka material (trä m.m.) vid hårdare material (metall) rekommenderas förborring.

Drag ur batteripaket innan arbete utföres på maskinen.

Kasta inte förbrukade batterier. Lämna dem till Milwaukee Tools för återvinning.

Förvara ej batteriet ihop med metallföremål, kortslutning kan uppstå.

Se upp så att inga metallföremål hamnar i laddarens batterischakt, kortslutning kan uppstå.

System 18 V batterier laddas endast i System 18 V laddare. Ladda inte batterier från andra system.

Batterier lagras torrt och skyddas för fukt.

Under extrem belastning eller extrem temperatur kan batterivätska tränga ut ur skadade utbytesbatterier. Vid beröring med batterivätska tvätta genast av med vatten och tvål. Vid ögonkontakt spola genast i minst 10 minuter och kontakta genast läkare.

**Warning!** För att undvika den fara för brand, personskador eller produktskador som orsakas av en kortslutning, doppa inte ner verktyget, utbytesbatteriet eller laddaren i vätskor och se till att ingen vätska kan tränga in i apparaterna eller batterierna. Korroderande eller ledande vätskor, som saltvatten, vissa kemikalier, blekningsmedel eller produkter som innehåller blekmedel, kan orsaka en kortslutning.

**⚠ WARNING!** Den här apparaten innehåller ett litium-knappcellsbatteri. Ett nytt eller förbrukat batteri kan orsaka allvarliga inre brännskador och leda till döden på mindre än 2 timmar om det själs eller kommer in i kroppen. Säkra alltid locket tillbatterifacket!  
Om det inte längre kan stängas säkert, stäng av apparaten, ta ur batteriet och håll det borta från barn.  
Om du tror att batterier har svalts eller kommit in i kroppen, uppsöka omedelbart läkare.

## EG-FÖRSÄKRAN ÖVERENSSTÄMMELSE

Vi som tillverkare intygar och ansvarar för att den produkt som beskrivs under "Tekniska data" överensstämmer med alla relevanta bestämmelser i direktiv 2011/65/EU (RoHS), 2014/30/EU, 2006/42/EG och följande harmoniserade normerande dokument:

EN 62841-1:2015  
EN 62841-2-11:2016/A1:2020  
EN 55014-1:2017/A11:2020  
EN 55014-2:2015  
EN 62479:2010  
EN 300 328 V2.2.2  
EN 301 489-1 V2.2.3  
EN 301 489-17 V3.2.4  
EN IEC 63000:2018

Winnenden, 2021-08-16

Alexander Krug  
Managing Director



Befullmäktigad att sammanställa teknisk dokumentation.

Techtronic Industries GmbH  
Max-Eyth-Straße 10  
71364 Winnenden  
Germany

## ANVÄND MASKINEN ENLIGT ANVISNINGARNA

Sabelsåg sågar trä, plast och metall. Den skär rakt, sågar kurvor och kapa plant.

Maskinen får endast användas för angiven tillämpning.

## VÄLJA DRIFTLÄGE

Vänta alltid först tills verktyget har stannat helt innan du ändrar driftläget. För att ändra inställningen trycker du på knappen . Tryck på WiFi-knappen för att ändra de förinställda värdena via ONE-KEY appen på din smartphone.

Automatiskt sågstopp : stoppar fram- och återgående sågen efter att materialet har sågats helt igenom.

## ONE-KEY™

Mer information om ONE-KEY funktionen för detta verktyg finns i den bifogade snabbstartanvisningen eller besök oss på [www.milwaukeeool.com/one-key](http://www.milwaukeeool.com/one-key). Du kan ladda ner ONE-KEY appen på din smartphone via App Store eller Google Play.

Om produkten störs av elektrostatiska urladdningar slocknar LED-hastighetsindikeringen och hastigheten kan inte längre regleras. Ta i så fall ur batteriet och knappellen och sätt tillbaka dem igen (se sida 6 och sida 16).

Störningar som orsakas av elektrostatiska urladdningar leder också till att kommunikationen via Bluetooth avbryts. I så fall måste Bluetooth-förbindelsen upprättas igen manuellt.  
Provresultaten uppfyller våra minimikrav enligt EN 55014-2/EN 301489-1/EN 301489-17."

## ELEKTRISK BROMS

När du släpper brytarknappen stannar sågbladet inom ca 2 sekunder tack vare den elektriska bromsen. Det kan emellertid inte uteslutas att bromsen slår till något fördröjt. Och det kan också hända att den elektriska bromsen inte verkar alls. Om den elektriska bromsen oftare inte skulle fungera ska du lämna eller skicka in din såg till en auktoriserad Milwaukee serviceverkstad.  
Dra först ut sågen ur arbetsstycket när sågbladet har stannat helt.

## BATTERIER

Batteri som ej använts på länge måste laddas före nytt bruk.

En temperatur över 50°C reducerar batteriets effekt. Undvik längre uppvärmning tex i solen eller nära ett element.

Se till att anslutningskontaktarna i laddaren och på batteriet är rena.

För en optimal livslängd ska batterierna laddas helt igen efter användningen.

För att få en så lång livslängd som möjligt bör laddningsbara batterier avlägsnas från laddaren när de är laddade.

Om laddningsbara batterier lagras längre än 30 dagar:  
Lagra batteriet torrt och vid ca 27°C.  
Lagra batteriet vid ca 30%-50% av laddningskapaciteten.  
Ladda batterierna på nytt var 6:e månad.

## BATTERI-ÖVERBELASTNINGSSKYDD

Om det uppladdningsbara batteriet överbelastas på grund av mycket hög strömförbrukning, till exempel vid extremt höga vridmoment, fastklämning, plötsligt stopp eller kortslutning, brummar elverktyget i 2 sekunder och stängs sedan av automatiskt.  
Släpp därefter först upp tryckknappen och slå sedan på elverktyget igen, om du vill fortsätta bearbetningen.  
Vid extrem belastning kan batteriet bli väldigt varmt. I ett sådant fall stängs batteriet av automatiskt.

## TRANSPORTERA LITIJUMJON-BATTERIER

För litiumjon-batterier gäller de lagliga föreskrifterna för transport av farligt gods på väg.

Därför får dessa batterier endast transporteras enligt gällande lokala, nationella och internationella föreskrifter och bestämmelser.

- Konsumenter får transportera dessa batterier på allmän väg utan att behöva beakta särskilda föreskrifter.
- För kommersiell transport av litiumjon-batterier genom en speditiönsfirma gäller emellertid bestämmelserna för transport av farligt gods på väg. Endast personal som känner till alla tillämpliga föreskrifter och bestämmelser får förbereda och genomföra transporten. Hela processen ska följas upp på fackmässigt sätt.

Följande ska beaktas i samband med transporten av batterier:

- Säkerställ att alla kontakter är skyddade och isolerade för att undvika kortslutning.
- Se till att batteripacken inte kan glida fram och tillbaka i förpackningen.
- Transportera aldrig batterier som läcker, har runnit ut eller är skadade.

För mer information vänligen kontakta din speditiönsfirma.

## SKÖTSEL

Se till att motorhöljets luftslitsar är rena.

Använd endast Milwaukee-tillbehör och Milwaukee-reservdelar. Komponenter, för vilka inget byte beskrivs, skall bytas ut hos Milwaukee-kundtjänst (se broschyren garanti-/kundtjänstadresser).

Vid behov kan du rekvidrera apparatens sprängskiss antingen hos kundservicen eller direkt hos Techtronic Industries GmbH, Max-Eyth-Straße 10, 71364 Winnenden, Germany. Du ska då ange maskintypen och numret på sex siffror som står på effektskylten.

## SYMBOLER



OBSERVERA! VARNING! FARA!



Drag ur batteripaket innan arbete utföres på maskinen.



Läs instruktionen noga innan du startar maskinen.



Svälj inte knappcellsbatterier!



Använd alltid skyddsglasögon.



Tillbehör - Ingår ej i leveransomfånget, erhålles som tillbehör.



Förbrukade batterier och avfall som utgörs av eller innehåller elektrisk och elektronisk utrustning (WEEE) får inte slängas tillsammans med de vanliga hushållsoporna. Förbrukade batterier eller WEEE ska samlas och avfallshanteras separat.  
Ta ut förbrukade batterier, förbrukade ackumulatörer och ljuskällor ur produkterna innan de avfallshanteras. Kontakta den lokala myndigheten respektive kommunen eller fråga återförsäljare var det finns speciella avfallsstationer för elskrot.  
Beroende på de lokala bestämmelserna kan återförsäljare vara skyldiga att ta tillbaka förbrukade batterier eller WEEE gratis.  
Bidra till att minska behovet av råämnen genom återanvändning och återvinning av dina förbrukade batterier eller ditt WEEE.  
Förbrukade batterier (i synnerhet litiumjonbatterier) och WEEE innehåller värdefulla återvinningsbara material som kan skada miljön och din hälsa om de inte avfallshanteras på korrekt sätt.  
Tänk på att radera eventuella personuppgifter som kan finnas på din utrustning innan du lämnar den till avfallshanteringen.



Tomgångsslagtal



Spänning



Likström



Britiskt konformitetsmärke



Ukrainskt konformitetsmärke



Euroasiatiskt konformitetsmärke

TEKNISET ARVOT	AKKUPUUKKOSAHA	M18 ONEFSZ
Tuotantnumero .....		477908 03 ...000001-999999
Leikkaussyvydet:		
Pehmeä puu .....		300 mm
Teräkseen .....		20 mm
Alumiini .....		25 mm
Muu kuin rautametalli.....		25 mm
Metalliputkien.....		150 mm
Kuormittamaton iskukuku .....		0-3000 min <sup>-1</sup>
Iskun pituus .....		32 mm
Jännite vaihtoakku.....		18 V
Bluetooth-versio.....		4.2
Radiotaajuus.....		2400 – 2480 MHz
Lähetysteho .....		0 dBm
Paino EPTA-meneteltyl 01/2014 mukaan (2,0 Ah - 12,0 Ah).....		3,5 ... 4,6 kg
Suositteltu ympäristön lämpötila työn aikana .....		-18...+50 °C
Suosittelut akkutyytit .....		M18B2... M18HB12
Suosittelut latauslaitteet.....		M12-18 ... ; M1418C6

#### Melunpäästö-/tärinätiedot

Mitta-arvot määritetty EN 62841 mukaan.  
Yleensä työkalun A-luokan melutaso  
Melutaso (Epävarmuus K=3dB(A)).....88,15 dB (A)  
Äänenvoimakkuus (Epävarmuus K=3dB(A)).....99,15 dB (A)

#### Käytä kuulosuojaimia!

Värähtelyn yhteisarvot (kolmen suunnan vektorisumma) mitattuna EN 62841 mukaan.

Puun sahaaminen \*1  
Värähtelyemissioarvo a<sub>h,B</sub> .....20,18 m/s<sup>2</sup>  
Epävarmuus K= .....1,5 m/s<sup>2</sup>  
Puupalkkien sahaaminen \*2  
Värähtelyemissioarvo a<sub>n,WB</sub> .....19,53 m/s<sup>2</sup>  
Epävarmuus K= .....1,5 m/s<sup>2</sup>

\*1 bimetal-sahanterällä, koko 150 x 1,25 mm ja hammastus 5 mm

\*2 bimetal-sahanterällä, koko 230 x 1,25 mm ja hammastus 5 mm

#### VAROITUS

Tässä tiedotteessa ilmoitettu (ilmoitetut) tärinä- ja melupäästöarvo(t) on mitattu standardisoidulla testimenetelmällä SFS-EN 62841 mukaisesti ja sitä voidaan käyttää työkalun vertailemiseen toisen työkalun kanssa. Sitä voidaan käyttää alustavaan altistuksen arviointiin.

Ilmoitettu tärinä- ja melupäästöarvo koskee työkalun pääkäyttötarkoituksia. Jos kuitenkin työkalua käytetään eri käyttötarkoituksiin eri varusteiden kanssa tai huonosti huollettuna, voi tärinä- ja melupäästö erota ilmoitetusta. Tämä voi merkittävästi nostaa altistumistasoa koko työskentelyjakson ajaksi.

Arvioidussa tärinä- ja meluallistustasossa tulisi ottaa huomioon myös työkalun sammutuskerat tai sen tyhjäkäynti. Tämä voi merkittävästi laskea altistumistasoa koko työskentelyjakson ajaksi.

Tunnista esimerkiksi seuraavat lisävaroitimet, joilla voidaan suojata käyttäjää tärinän ja/tai melun vaikutuksilta: työkalun ja varusteiden ylläpito, käsien lämpimänä pito, työnkulun organisointi.

**VAROITUS** Lue kaikki turvallisuusmääräykset, ohjeet, kuvitukset ja erittelyt, jotka toimitetaan tämän sähkötyökalun mukana. Jäljempänä annettujen ohjeiden noudattamisen laiminlyönti saattaa johtaa sähköiskuun, tulipaloon ja/tai vakavaan loukkaantumiseen.

#### PUUKKOSAHOJEN TURVALLISUUSMÄÄRÄYKSET

Pitele laitetta vain eristetyistä tarttumapinnoista, kun suoritat sellaisia töitä, joissa leikkaustyökalu saattaa osua pilaantuneisiin sähköjohtoihin.

Leikkaustyökalun yhteys jännitteelliseen johtoon saattaa tehdä laitteen metalliset osat jännitteellisiksi ja aiheuttaa sähköiskun.

Käytä ruuvipuristimia tai muita käytännöllisiä apuvälineitä kiinnittämään työstettävä kappale tukevalle alustalle. Vain kädessä pidetty tai vartalolla vastaan painaen tuettu työstökappale saattaa luiskahtaa pois ja tästä voi seurata laitteen hallinnan menettäminen.

#### TÄYDENTÄVIÄ TURVALLISUUSMÄÄRÄYKSIÄ JA TYÖSKENTELYOHJEITA

Käytä suojavarusteita. Käytä aina suojalaseja käyttäessäsi konetta. Suosittelemme suojavarusteiden käyttöä, näihin kuuluvat pölysuojanaamarit, työkäsineet, tukevat, luistamattomat jalkineet, kypärä ja kuulosuojukset.

Koneen käytöstä aiheutuva pöly ja jäte voi olla haitallista terveydelle eikä sen vuoksi tulisi päästä kosketukseen ihon kanssa. Koneella työskennellessä on käytettävä sopivaa suojainta.

Terveydellisiä vaaroja aiheuttavien materiaalien (esim. asbestin) työstäminen on kielletty.

Jos käytetty työkalu juuttuu kiinni, sammuta laite heti! Älä kytke laitetta uudelleen päälle työkalun ollessa vielä kiinni juuttuneena, koska tästä saattaa aiheutua voimakas takaisku. Selvitä työkalun juuttumisen syy ja poista syy turvallisuusmääräyksiä noudattaen.

Mahdollisia syitä voivat olla:

- työkalun vinoutuminen työstökappaleessa
- työstetyn materiaalin puhkaiseminen
- sähkötyökalun ylikuormitus

Älä tartu käynnissä olevan koneen työosiin.

Käytetty työkalu saattaa kuumeta käytön aikana.

**VAROITUS!** Palovamman vaara

- työkalua vaihdettaessa
- laitetta pois laskettaessa

Lastuja tai puruja ei saa poistaa koneen käydessä.

Varo seinään, kattoon tai lattiaan porattaessa osumasta sähköjohtoon, kaasu- ja vesijohtoihin.

Varmista työstökappaleesi kiinnityslaitteella paikalleen. Varmistamattomat työstökappaleet saattavat aiheuttaa vakavia vammoja ja vaurioita.

Riikkinäisiä sahanteräitä tai sellaisia, jotka ovat muuttaneet muotoaan ei saa käyttää!

Uputussahaus on mahdollista vain pehmeimpiin materiaaleihin (puu, kevytrakenteiset seinät), kovin materiaaleihin (metallit) on ensin tehtävä sahanterän suuruinen porausaukko.

Ota akku pois ennen kaikkia koneeseen tehtäviä toimenpiteitä.

Käytettyjä vaihtoakkuja ei saa polttaa eikä poistaa normaalin jätehuollon kautta. Milwaukeella on tarjolla vanhoja vaihtoakkuja varten ympäristöystävällinen jätehuoltopalvelu.

Vaihtoakkuja ei saa säilyttää yhdessä metalliesineiden kanssa (oikosulkuvaara).

On varottava, ettei latauslaitteiden vaihtoakkulatauskoloon joudu metalliesineitä (oikosulkuvaara).

Käytä ainoastaan System 18 V latauslaitetta System 18 V akkujen lataukseen. Älä käytä muiden järjestelmien akkuja.

Vaihtoakkuja ja latauslaitteita ei saa avata. Säilytys vain kuivissa tiloissa. Suojattava kosteudelta.

Vaurioituneesta akusta saattaa erityisen kovassa käytössä tai poikkeavassa lämpötilassa vuotaa akkuhappoa. Ihonkohta, joka on joutunut kosketukseen akkuhapon kanssa on viipymättä pestävä vedellä ja saippualla. Silmä, johon on joutunut akkuhappoa, on huuhdeltava vedellä vähintään 10 minuutin ajan, jonka jälkeen on viipymättä hakeuduttava lääkärin apuun.

**Varoitus!** Jotta vältetään lyhytsulun aiheuttama tulipalon, loukkaantumisen tai tuotteen vahingoittumisen vaara, älä koskaan upota työkalua, vaihtoakkuja tai latauslaitetta nesteeseen ja huolehdi siitä, ettei mitään nesteitä pääse tunkeutumaan laitteiden tai akkujen sisään. Syövyttävät tai sähköä johtavat nesteet, kuten suolavesi, tietyt kemikaalit ja lalkaisuaaineet tai valkaisuaineita sisältävät tuotteet voivat aiheuttaa lyhytsulun.

**VAROITUS!** Tämä laite sisältää litiumnappariston.

Uusi tai käytetty paristo voi aiheuttaa vaikeita sisäisiä palovammoja ja johtaa kuolemaan alle 2 tunnin aikana, jos se on nolaistuu tai muuten joutunut kehon sisään. Varmista aina paristolokeron kansi. Jos se ei sulkeudu pitävästi, sammuta laite, ota paristo pois ja säilytä se poissa lasten ulottuvilta.

Jos uskot, että paristot on nieltä tai ne ovat muuten joutuneet kehon sisälle, hakeudu heti lääkärinhoitoon.

#### EY-VAATIMUSTENMUKAISUUSVAKUUTUS

Vakuutamme valmistajan ominaisuudessa yksinvastuullisesti, että kohdassa "Tekniset tiedot" kuvattu tuote vastaa kaikkia sitä koskevia direktiivien 2011/65/EU (RoHS), 2014/30/EU, 2006/42/EY määräyksiä sekä seuraavia harmonisoiuja standardisioivia asiakirjoja:

EN 62841-1:2015  
EN 62841-2-11:2016/A1:2020  
EN 55014-1:2017/A11:2020  
EN 55014-2:2015  
EN 62479:2010  
EN 300 328 V2.2.2  
EN 301 489-1 V2.2.3  
EN 301 489-17 V3.2.4  
EN IEC 63000:2018

Winnenden, 2021-08-16

*Alexander Krug*

Alexander Krug  
Managing Director

Valtutettu kokoamaan tekniset dokumentit.

Techtronic Industries GmbH  
Max-Eyth-Straße 10  
71364 Winnenden  
Germany



#### TARKOITUKSEN MUKAINEN KÄYTTÖ

Puukkosaha pystyy puuhun, muoviin ja metalliin. Sillä voidaan sahata suorina, viistoja ja käyriä leikkauksia sekä reikiä.

Älä käytä tuotetta ohjeiden vastaisesti.

#### KÄYTTÖTAVAN VALINTA

Ennen käyttötavan valintaa odota, kunnes laite on pysähtynyt täysin. Muuta asetuksia painamalla painiketta . Paina WIFI-painiketta muuttaaksesi ONE-KEY-sovelluksella älypuhelimesi esiasetetut arvot.

Automaattinen sahan pysäytys pysäyttää edestakaisen sahan, kun materiaali on täysin sahattu.

#### ONE-KEY™

Lisätietoja tämän työkalun ONE KEY -toimivuudesta saat lukemalla oheistetun pikäkäynnistysohjeen tai siirtymällä verkkoon osoitteeseen [www.milwaukeetool.com/one-key](http://www.milwaukeetool.com/one-key). Voit ladata ONE KEY -sovelluksen älypuhelimiesi App Storen tai Google Playn kautta.

Jos laitteeseen tulee sähköstaattisten purkausten aiheuttama häiriö, niin LED-nopeusnäyttö sammuu eikä nopeutta voi enää säädellä. Jos näin käy, ota vaihtoakku ja nappiparisto pois ja pane ne sitten uudelleen paikalleen (katso sivu 6 ja sivu 16). Sähköstaattisten purkausten aiheuttamat häiriöt johtavat myös bluetooth-yhteyden katkeamiseen. Siinä tapauksessa Bluetooth-yhteyks täytyy luoda uudelleen manuaalisesti. Koeestulokset täyttävät standardien EN 55014-2 / EN 301489-1 / EN 301489-17 mukaiset vähimmäisvaatimuksemme.

#### SÄHKÖJARRU

Sähköjarru pysäyttää sahanterän n. 2 sekunnin sisällä, kun kytkinpainikkeesta on päästetty irti. Sähköjarru voi vaikuttaa myös viiveellä. Joskus jarru ei toimi. Jos sähköjarru ei toimi usein, saha on vietävä valtuutettuun Milwaukee-korjaamoon. Vedä saha sahattavasta kappaleesta vasta sahanterän pysähtyttyä.

#### AKKU

Pitkään käyttämättä olleet vaihtoakut on ladattava ennen käyttöä.

Yli 50°C lämpötilassa akun suorituskyky heikkenee. Välttähän akkujen säilyttämistä auringossa tai kuumissa tiloissa.

Pidä aina latauslaitteen ja akun kosketinpinnat puhtaina.

Akut on ladattava täyteen käytön jälkeen optimaalisen eliniän säilyttämiseksi.

Mahdollisimman pitkän elinajan takaamiseksi akut tulee poistaa laturista lataamisen jälkeen.

Akkua yli 30 päivää säilytettäessä: Säilytä akku yli 27 °C:ssa ja kuivassa. Säilytä akku sen latauksen ollessa 30 % - 50 %. Lataa akku 6 kuukauden välein uudelleen.

#### AKUN YLIKUORMITUSSUOJAUS

Jos akku ylikuormittuu erittäin suuren virrankulutuksen vuoksi, esim. erittäin suurten vääntömomenttien, kiinni juuttumisen, äkillisen pysähtymisen tai lyhytsulun vuoksi, niin sähkötyökalu surisee 2 sekunnin ajan ja sammuu sitten omatoimisesti. Käynnistä laite uudelleen päästämällä katkaisinpainike irti ja kytkemällä se sitten uudelleen. Erittäin suuressa kuormituksessa saattaa akku kuumeta liikaa. Tässä tapauksessa akku kytketty pois.

#### LITIUM-IONI AKKUJEN KULJETTAMINEN

Litium-ioniatkut kuuluvat vaarallisten aineiden kuljetuksesta annettujen lakien piiriin.

Näiden akkujen kuljettaminen täytyy suorittaa noudattaen paikallisia, kansallisia ja kansainvälisiä määräyksiä ja säädöksiä.

- Kuluttajat saavat ilman muuta kuljettaa näitä akkuja teitä pitkin.

- Kaupallisessa kuljetuksessa huolintaliikkeiden täytyy kuljettaa litiumi-ioniakkuja vaarallisten aineiden kuljetuksesta annettujen määräysten mukaisesti. Ainoastaan tähän vastaavasti koulutetut henkilöt saavat suorittaa kuljetuksen valmistelu- ja kuljetuksen. Koko prosessia tulee valvoa asiantuntevasti.

Seuraavat kohdat tulee huomioida akkuja kuljetettaessa:

- Varmista, että akkujen kontaktit on suojattu ja eristetty, jotta vältetään lyhytsulut.
- Huolehdi siitä, ettei akkusarja voi luiskahata paikaltaan pakkauksen sisällä.
- Vahingoittuneita tai vuotavia akkuja ei saa kuljettaa.

Pyydä tarkemmat tiedot huolintaliikkeeltäsi.

## HUOLTO

Pidä moottorin ilmanottoaukot puhtaina.

Käytä ainoastaan Milwaukee lisätarvikkeita ja Milwaukee varaosia. Mikäli jokin komponentti, jota ei ole kuvailtu, tarvitsee vaihtoa ota yhteys johonkin Milwaukee palvelupisteistä (kts. listamme takuuhuolintaliikkeiden/ palvelupisteiden osoitteista)

Tarvittaessa voit pyytää laitteen räjähdyspirustuksen ilmoittaan konetyypin ja tyyppikilvessä olevan kuusinumeroisen luvun huoltopalvelustasi tai suoraan osoitteella Techtronic Industries GmbH, Max-Eyth-Strasse 10, 71364 Winnenden, Saksa.

## SYMBOLIT



HUOMIO! VAROITUS! VAARA!



Ota akku pois ennen kaikkia koneeseen tehtäviä toimenpiteitä.



Lue käyttöohjeet huolellisesti, ennen koneen käynnistämistä.



Nappiparistoa ei saa nialaista!



Käytä laitteella työskennellessäsi aina suojalaseja.



Lisälaitte - Ei sisälly vakiovarustukseen, saatavana lisätarvikkeena.



Älä hävitä käytettyjä paristoja, sähkö- ja elektroniikkaromua lajittelemattomana yhdyskuntajätteenä. Käytetyt paristot sekä sähkö- ja elektroniikkaromu on kerättävä erikseen. Käytetyt paristot, romuakut ja valonlähteet on irrotettava laitteista. Kysy paikallisilta viranomaisilta tai jälleenmyyjiltä neuvoa kierrättämiseen ja tietoa keräyspisteestä. Paikalliset säännökset saattavat velvoittaa vähittäiskaupiaat ottamaan käytetyt paristot, sähkö- ja elektroniikkaromun takaisin maksutta. Panoksesi käytettyjen paristojen sekä sähkö- ja elektroniikkalaiteromun uudelleenkäytössä ja kierrätyksessä auttaa vähentämään raaka-aineiden kysyntää. Käytetyt paristot, etenkin litiumia sisältävät, sekä sähkö- ja elektroniikkaromu sisältävät arvokkaita, kierrätettäviä materiaaleja, jotka saattavat vaikuttaa haitallisesti ympäristöön ja ihmisten terveyteen, jos niitä ei hävitetä ympäristöstävällisesti. Poista mahdolliset henkilökohtaiset tiedot hävitettävästä laitteesta.



Kuormittamaton iskuluku



Jännite



Tasavirta



Euroopan säännönmukaisuusmerkki



Britannian säännönmukaisuusmerkki



Ukrainan säännönmukaisuusmerkki



Euraasian säännönmukaisuusmerkki

ΤΕΧΝΙΚΑ ΣΤΟΙΧΕΙΑ	ΣΠΑΘΟΣΕΓΑ ΜΠΑΤΑΡΙΑΣ	M18 ONEFSZ
Αριθμός παραγωγής.....		477908 03 ...000001-999999
Μέγιστο βάθος κοπής σε:		
Μαλακό ξύλο .....		300 mm
Χάλυβας.....		20 mm
Αλουμίνιο .....		25 mm
Μη σιδηρούχα μέταλλα .....		25 mm
Μεταλλικοί σωλήνες .....		150 mm
Αριθμός παλινδρομήσεων χωρίς φορτίο, .....		0-3000 min <sup>-1</sup>
Ύψος διαδρομής.....		32 mm
Τάση ανταλλακτικής μπαταρίας .....		18 V
Έκδοση Bluetooth.....		4.2
Ζώνη συχνότητας.....		2400 – 2480 MHz
Ισχύς εκπομπής.....		0 dBm
Βάρος σύμφωνα με τη διαδικασία EPTA 01/2014 (2,0 Ah - 12,0 Ah).....		3,5 ... 4,6 kg
Συνιστώμενη θερμοκρασία περιβάλλοντος κατά την εργασία .....		-18...+50 °C
Συνιστώμενοι τύποι συσσωρευτών .....	M18B2... M18HB12	
Συνιστώμενες συσκευές φόρτισης.....	M12-18 ... ; M1418C6	

## Πληροφορίες θορύβου/δονήσεων

Τιμές μέτρησης εξακριβωμένες κατά EN 6284 1.

Τυπική A αξιολογημένη στάθμη θορύβου:

Στάθμη ηχητικής πίεσης (Ανασφάλεια K=3dB(A)).....88,15 dB (A)

Στάθμη ηχητικής ισχύος (Ανασφάλεια K=3dB(A)).....99,15 dB (A)

## Φοράτε προστασία ακοής (ωτασπίδες)!

Υλικές τιμές κραδασμών (άθροισμα διανυσμάτων τριών διευθύνσεων) εξακριβώθηκαν σύμφωνα με τα πρότυπα EN 6284 1.

Πρίοισμα ξύλων \*1

Τιμή εκπομπής δονήσεων a<sub>h,B</sub>.....20,18 m/s<sup>2</sup>

Ανασφάλεια K=.....1,5 m/s<sup>2</sup>

Κοπή ξύλινων δοκών \*2

Τιμή εκπομπής δονήσεων a<sub>h,WB</sub>.....19,53 m/s<sup>2</sup>

Ανασφάλεια K=.....1,5 m/s<sup>2</sup>

\*1 με πριονολεπίδα bimetal διαστάσεων 150 x 1,25 χιλ. και βήματος οδόντωσης 5 χιλ.

\*2 με πριονολεπίδα bimetal διαστάσεων 230 x 1,25 χιλ. και βήματος οδόντωσης 5 χιλ).

## ΠΡΟΕΙΔΟΠΟΙΗΣΗ

Το αναφερόμενο στο παρόν φυλλάδιο επίπεδο τιμών δόνησης και εκπομπής θορύβου έχει μετρηθεί σύμφωνα με μια τυπική μέθοδο δοκιμών κατά το πρότυπο EN 6284 1 και μπορεί να χρησιμοποιηθεί για τη σύγκριση εργαλείων μεταξύ τους. Μπορεί να χρησιμοποιηθεί για μια προκαταρκτική αξιολόγηση της έκθεσης.

Οι αναφερόμενες τιμές επιπέδων δόνησης και εκπομπής θορύβου αντιστοιχούν στις βασικές εφαρμογές του εργαλείου. Στην περίπτωση χρήσης του εργαλείου σε διαφορετικές εφαρμογές, με διαφορετικά εξαρτήματα ή ανεπαρκή συντήρηση, τα επίπεδα δόνησης και εκπομπών θορύβου ενδέχεται να διαφέρουν. Αυτό μπορεί να έχει ως συνέπεια μία σημαντική αύξηση των επιπέδων έκθεσης καθόλη τη διάρκεια εκτέλεσης των εργασιών.

Για μία εκτίμηση των επιπέδων έκθεσης σε δόνηση και θόρυβο πρέπει να συνυπολογίζονται οι χρόνοι απενεργοποίησης του εργαλείου ή αυτοί κατά τους οποίους παραμένει ενεργό χωρίς να εκτελείται κάποια εργασία. Αυτό μπορεί να μειώσει σημαντικά τα επίπεδα έκθεσης καθόλη τη διάρκεια εκτέλεσης των εργασιών.

Ορίστε πρόσθετα μέτρα προστασίας του χειριστή από την έκθεση στη δόνηση ή/και στον θόρυβο όπως: συντήρηση του εργαλείου και των παρελκόμενων εξαρτημάτων, διατήρηση θερμότητας των χεριών, οργάνωση μοτίβων εργασίας.

## ΠΡΟΕΙΔΟΠΟΙΗΣΗ! Διαβάστε όλες τις προειδοποιητικές υποδείξεις, οδηγίες, περιγραφές και προδιαγραφές γι' αυτό το ηλεκτρικό εργαλείο. Αμέλειες κατά την τήρηση των προειδοποιητικών υποδείξεων μπορεί να προκαλέσουν ηλεκτροπληξία, κίνδυνο πυρκαγιάς ή/και σοβαρούς τραυματισμούς.

## ΥΠΟΔΕΙΞΕΙΣ ΑΣΦΑΛΕΙΑΣ ΓΙΑ ΣΠΑΘΟΣΕΓΕΣ.

Να πιάνετε τη συσκευή στις μονωμένες χειρολαβές όταν εκτελείτε εργασίες κατά τις οποίες τα κοπτικά εργαλεία θα μπορούσαν να πέσουν επάνω σε κρυμμένα καλώδια ρεύματος.

Η επαφή των κοπτικών εργαλείων με αγωγοί τροφοδοσίας τάσης μπορεί να θέσει τα μεταλλικά τμήματα της συσκευής υπ' όταση και να προκαλέσει ηλεκτροπληξία.

Χρησιμοποιείτε σφιγκτήρες ή άλλα πρακτικά βοηθητικά μέσα για να στερεώσετε το τεμάχιο κατεργασίας επάνω σε μια σταθερή βάση. Σε κράτημα του τεμαχίου κατεργασίας με το χέρι ή στήριξη του με το σώμα μπορεί να γλιστρήσει το τεμάχιο κατεργασίας και αυτό μπορεί να οδηγήσει σε απώλεια του ελέγχου.

## ΠΕΡΑΙΤΕΡΩ ΟΔΗΓΙΕΣ ΑΣΦΑΛΕΙΑΣ ΚΑΙ ΧΡΗΣΕΩΣ

Χρησιμοποιείτε προστατευτικό εξοπλισμό. Κατά την εργασία με τη μηχανή φοράτε πάντα προστατευτικά γυαλιά. Συνιστούμε επίσης προστατευτική ενδυμασία όπως επίσης μάσκα προστασίας αναπνοής, προστατευτικά γάντια, σταθερά και ασφαλή στην ολισθήση υποδήματα, κράνος και ωτασπίδες.

Η σκόνη που δημιουργείται κατά την εργασία είναι συχνά επιβλαβής για την υγεία και δεν επιτρέπεται να έλθει στο σώμα. Να φοράτε κατάλληλη μάσκα προστασίας από σκόνη.

Μην επεξεργάζεστε επικίνδυνα για την υγεία υλικά (π.χ. αμιάντος).

Σε περίπτωση μπλοκαρίσματος της αρίδας απενεργοποιείστε αμέσως τη συσκευή! Μην ενεργοποιείτε εκ νέου τη συσκευή όσο η αρίδα είναι μπλοκαρισμένη. Σ' αυτή τη περίπτωση θα μπορούσε να προκύψει υψηλή ροπή αντίδρασης. Βρείτε την αιτία του μπλοκαρίσματος της αρίδας και ξεμπλοκαρέτε την λαμβάνοντας υπόψη τις οδηγίες ασφαλείας.

Πιθανές αιτίες:

- Η αρίδα μάγκωσε με το προς κατεργασία κομμάτι.
- Σπάζιμο του προς κατεργασία υλικού.
- Υπερφόρτωση του ηλεκτρικού εργαλείου.

Μην απλώνετε τα χέρια σας στην επικίνδυνη περιοχή της μηχανής όταν είναι σε λειτουργία.

Η θερμοκρασία της αρίδας μπορεί να φτάσει σε υψηλά επίπεδα κατά τη λειτουργία.

**ΠΡΟΕΙΔΟΠΟΙΗΣΗ!** Κίνδυνος εγκαύματος

- κατά την αλλαγή εργαλείου (αρίδας)
- κατά την απόθεση της συσκευής

Τα γρέζια ή οι σκλήθρες δεν επιτρέπεται να απομακρύνονται όσο η μηχανή βρίσκεται σε λειτουργία.

Κατά τις εργασίες σε τοίχο, οροφή ή δάπεδο προσέχετε για τυχόν ηλεκτρικά καλώδια και για σωλήνες αερίου και νερού.

Ασφαλίστε το προς καταργασία κομμάτι στη μέγγενη ή με μια άλλη διάταξη στρέψωσης. Μη ασφαλισμένα προς καταργασία κομμάτια μπορεί να προκαλέσουν σοβαρούς τραυματισμούς και ζημιές.

Οι ραγιωμένες προιονόλαμες (προιονόδισκοι) ή αυτές που έχουν παραμορφωθεί δεν επιτρέπεται να χρησιμοποιηθούν!

Το πρόιοναμα με βύθισμα είναι δυνατό μόνο σε μαλακά υλικά (ξύλο, ελαφρά δομικά υλικά για τοιχώματα), στα σκληρότερα υλικά (μέταλλα) πρέπει να ανοιχτεί μια τρύπα αντίστοιχη στο μέγεθος της προιονόλαμας.

Πριν από κάθε εργασία στη μηχανή αφαιρείτε την ανταλλακτική μπαταρία.

Μην πετάτε τις μεταχειρισμένες ανταλλακτικές μπαταρίες στη φωτιά ή στα οικιακά απορρίμματα. Η Milwaukee προσφέρει μια απόσυρση των παλιών ανταλλακτικών μπαταριών σύμφωνα με τους κανόνες προστασίας του περιβάλλοντος, ρωτήστε παρακαλώ σχετικά στο ειδικό κατάστημα πώλησης.

Μην αποθηκεύετε τις ανταλλακτικές μπαταρίες μαζί με μεταλλικά αντικείμενα (κίνδυνος βραχυκυκλώματος).

Στη θήκη υποδοχής των ανταλλακτικών μπαταριών του φορτιστή δεν επιτρέπεται να φθάνουν μεταλλικά αντικείμενα (κίνδυνος βραχυκυκλώματος).

Φορτίζετε τις ανταλλακτικές μπαταρίες του συστήματος 18 V μόνο με φορτιστές του συστήματος 18 V. Μη φορτίζετε μπαταρίες από άλλα συστήματα.

Μην ανοίγετε τις ανταλλακτικές μπαταρίες και τους φορτιστές και χρησιμοποιείτε για αποθήκευση μόνο στεγνούς χώρους. Προσταύετε τις ανταλλακτικές μπαταρίες και τους φορτιστές από την υγρασία.

Όταν υπάρχει υπερβολική καταπόνηση ή υψηλή θερμοκρασία μπορεί να τρέξει υγρό μπαταρίας από τις χαλασμένες επαναφορτιζόμενες μπαταρίες. Αν έρθετε σε επαφή με υγρό μπαταρίας να πλυθείτε αμέσως με νερό και σαπούνι. Σε περίπτωση επαφής με τα μάτια να πλυθείτε σχολαστικά για τουλάχιστον 10 λεπτά και να αναζητήσετε αμέσως ένα γιατρό.

**Προειδοποίηση!** Για να αποτρέπεται τον κίνδυνο πυρκαγιάς λόγω βραχυκυκλώματος, τραυματισμούς ή ζημιές του προϊόντος, να μη βυθίζετε το εργαλείο, τον ανταλλακτικό συσσωρευτή ή τη συσκευή φόρτισης σε υγρά και να φροντίζετε, ώστε να μη δεισοδύουν υγρά στις συσκευές και τους συσσωρευτές. Διαβρωτικές ή αγνώγιμες υγρές ουσίες, όπως αλάτονερο, ορισμένες χημικές ουσίες και λευκαντικά ή προϊόντα που περιέχουν λευκαντικά, μπορεί να προκαλέσουν βραχυκύκλωμα.

**Α ΠΡΟΕΙΔΟΠΟΙΗΣΗ!** Αυτή η συσκευή περιέχει μπαταρίες λιθίου σε σχήμα κουμπιού.

Μία καινούργια ή μεταχειρισμένη μπαταρία μπορεί να προκαλέσει σοβαρά εσωτερικά εγκαύματα και εντός 2 ωρών τον θάνατο, εάν καταποθεί ή δεισοδύσει στον οργανισμό. Να ασφαρίζετε πάντα το καπάκι της θήκης μπαταριών.

Εάν δεν κλείνει ασφαλώς, απενεργοποιήστε τη συσκευή, αφαιρέστε τη μπαταρία και κρατήστε την μακριά από παιδιά.

Εάν νομίζετε πως καταποθήκαν μπαταρίες ή δεισοδυσαν στον οργανισμό, συμβουλευθείτε αμέσως έναν γιατρό.

## ΔΗΛΩΣΗ ΣΥΜΜΟΡΦΩΣΗΣ ΕΚ

Ως κατασκευαστής δηλώνουμε υπεύθυνα ότι το προϊόν που περιγράφεται στο κεφάλαιο «Τεχνικά Χαρακτηριστικά» είναι συμβατό με όλες τις σχετικές διατάξεις των Κοινοτικών Οδηγιών 2011/65/EU (RoHS), 2014/30/EE, 2006/42/ΕΚ και τα ακόλουθα εναρμονισμένα κανονιστικά έγγραφα:

EN 62841-1:2015  
EN 62841-2-11:2016/A1:2020  
EN 55014-1:2017/A11:2020

EN 55014-2:2015  
EN 62479:2010  
EN 300 328 V2.2.3  
EN 301 489-1 V2.2.3  
EN 301 489-17 V3.2.4  
EN IEC 63000:2018

Winnenden, 2021-08-16



Alexander Krug  
Managing Director



Εξουσιοδοτημένος να συντάξει τον τεχνικό φάκελο.



Techtronic Industries GmbH  
Max-Eyth-Straße 10  
71364 Winnenden  
Germany


## ΧΡΗΣΗ ΣΥΜΦΩΝΑ ΜΕ ΤΟ ΣΚΟΠΟ ΠΡΟΟΡΙΣΜΟΥ

Η σπαθόσεγα προιονίζει ξύλο, πλαστικό και μέταλλο. Κόβει ευθεία, καμπύλες και εσωτερικά ανοίγματα. Κόβει σωλήνες και χωρίζει “πρόσωπο” με την επιφάνεια.

Αυτή η συσκευή επιτρέπεται να χρησιμοποιηθεί μόνο σύμφωνα με τον αναφερόμενο σκοπό προορισμού.

## ΕΠΙΛΟΓΗ ΤΟΥ ΕΙΔΟΥΣ ΛΕΙΤΟΥΡΓΙΑΣ

Πριν την αλλαγή του είδους λειτουργίας περιμένετε μέχρι να ακινητοποιηθεί η συσκευή πλήρως. Για να αλλάξετε τις ρυθμίσεις, πιέζετε το πλήκτρο . Πιέστε το πλήκτρο WLAN  για να αλλάξετε τις προκαθορισμένες τιμές μέσω του ONE-KEY App στο Smartphone σας.

Αυτόματο πριόνι  σταματά το παλινδρομικό πριόνι αφού το υλικό έχει κοπεί πλήρως.

## ONE-KEY™

Προς περαιτέρω ενημέρωση περί της λειτουργικότητας ONE-KEY αυτού του εργαλείου διαβάστε τις συνημμένες οδηγίες ταχείας εκκίνησης ή επισκεφτείτε μας στο διαδίκτυο στην ιστοσελίδα [www.milwaukeeool.com/one-key](http://www.milwaukeeool.com/one-key). Μπορείτε να κατεβάσετε το ONE-KEY App στο Smartphone σας από το App Store ή το Google Play.

Εάν διαταραχθεί η λειτουργία της συσκευής από ηλεκτροστατικές εκκενώσεις, τότε σβήνει η φωτιοδιόδος της ένδειξης ταχύτητας και η ταχύτητα δεν μπορεί πλέον να ρυθμίζεται. Σε αυτή την περίπτωση αφαιρέτε το συσσωρευτή και την κερματοειδή μπαταρία και τα τοποθετείτε εκ νέου (βλέπε σελίδα 6 και σελίδα 16).

Μέσω παρεμβολών που σφειλονται σε ηλεκτροστατικές εκκενώσεις, διακόπεται και η τηλεπικοινωνία Bluetooth. Σε αυτή την περίπτωση πρέπει να γίνεται η σύνδεση Bluetooth χειροκίνητα.

Τα αποτελέσματα δοκιμής εκπληρώνουν τις ελάχιστες απαιτήσεις μας σύμφωνα με EN 55014-2 / EN 301489-1 / EN 301489-17.

## ΗΛΕΚΤΡΙΚΟ ΦΡΕΝΟ

Κατά την ελευθέρωση του διακόπτη η προιονόλαμα ακινητοποιείται μέσα σε 2 δευτερόλεπτα από το ηλεκτρικό φρένο. Όμως το ηλεκτρικό φρένο μπορεί να δράσει επίσης με καθυστέρηση. Καμιά φορά το ηλεκτρικό φρένο δεν είναι ενεργό. Εάν το ηλεκτρικό φρένο συχνά δεν είναι ενεργό, πρέπει να γίνεται η σύνδεση Bluetooth χειροκίνητα.

Μόνο μετά την ακινητοποίηση της προιονόλαμας τραβάτε το πριόνι από το τεμάχιο καταργασίας.

## ΜΠΑΤΑΡΙΕΣ

Επαναφορτίζετε τις ανταλλακτικές μπαταρίες που δεν έχουν χρησιμοποιηθεί για μεγαλύτερο χρονικό διάστημα πριν τη χρήση.

Μια θερμοκρασία πάνω από 50° C μειώνει την ισχύ της ανταλλακτικής μπαταρίας. Αποφύγετε τη θέρμανση για μεγαλύτερο χρονικό διάστημα από τον ήλιο ή τις συσκευές θέρμανσης.

Διατηρείτε τις επαφές σύνδεσης στο φορτιστή και στην ανταλλακτική μπαταρία καθαρές.

Για μια άριστη διάρκεια ζωής πρέπει μετά τη χρήση οι μπαταρίες να φορτιστούν πλήρως.

Για μια κατά το δυνατόν μεγάλη διάρκεια ζωής οι μπαταρίες μετά τη φόρτιση σφειλονται να αφαιρεθούν από το φορτιστή.

Για την αποθήκευση της μπαταρίας για διάστημα μεγαλύτερο των 30 ημερών:

Αποθηκεύετε τη μπαταρία περ. στους 27° C σε στεγνό χώρο.

Αποθηκεύετε τη μπαταρία περ. στο 30%-50% της κατάστασης φόρτισης.

Κάθε 6 μήνες φορτίζετε εκ νέου τη μπαταρία.

## ΠΡΟΣΤΑΣΙΑ ΥΠΕΡΦΟΡΤΩΣΗΣ ΤΗΣ ΜΠΑΤΑΡΙΑΣ

Σε υπερφόρτωση της μπαταρίας από πολύ υψηλή κατανάλωση ρεύματος, π. χ. από ακραίες υψηλές ροτάες περιστροφής, μπλοκάρισμα του δριλέιθι, ξαφνικό σπotti ή βραχυκύκλωμα, βούιζει το ηλεκτρικό εργαλείο για 2 δευτερόλεπτα και απενεργοποιείται αυτόματα.

Για μια νέα ενεργοποίηση, αφήνετε ελεύθερο το διακόπτη και στη συνέχεια ενεργοποιείτε εκ νέου.

Κάτω από ακραίες καταπονήσεις μπορεί η μπαταρία να θερμανθεί πολύ. Στην περίπτωση αυτή η μπαταρία απενεργοποιείται.

## ΜΕΤΑΦΟΡΑ ΤΩΝ ΜΠΑΤΑΡΙΩΝ ΙΟΝΤΩΝ ΛΙΘΙΟΥ

Οι μπαταρίες ιόντων λιθίου υπόκεινται στις απαιτήσεις των νομικών διατάξεων για την μεταφορά επικινδύνων εμπορευμάτων.

Η μεταφορά τέτοιων μπαταριών πρέπει να πραγματοποιείται τηρώντας τους τοπικούς, εθνικούς και διεθνείς κανονισμούς και τις αντίστοιχες διατάξεις.

- Επιτρέπεται η μεταφορά τέτοιων μπαταριών στο δρόμο χωρίς περαιτέρω απαιτήσεις.
- Η εμπορική μεταφορά μπαταριών ιόντων λιθίου από εταιρείες μεταφορών υπόκειται στις απαιτήσεις των νομικών διατάξεων για την μεταφορά επικινδύνων εμπορευμάτων. Οι προετοιμασίες αποστολής και η μεταφορά πραγματοποιούνται αποκλειστικά από ειδικά εκπαιδευμένα πρόσωπα. Η συνολική διαδικασία συνοδεύεται από εξειδικευμένο προσωπικό.

Κατά τη μεταφορά μπαταριών ιόντων λιθίου πρέπει να προσέχετε τα εξής:

- Φροντίστε τα σημεία επαφών να είναι προστατευμένα και μονωμένα ώστε να αποφευχθούν βραχυκυκλώματα.
- Προσέξτε το πακέτο μπαταριών να είναι σταθερό μέσα στη συσκευασία και να μη γλιστρά.
- Η μεταφορά μπαταριών που παρουσιάζουν φθορές ή διαρροές δεν επιτρέπεται.

Για περισσότερες πληροφορίες απευθυνθείτε στην εταιρεία μεταφορών.

## ΣΥΝΤΗΡΗΣΗ

Διατηρείτε πάντοτε τις σχισμές εξερισμού στη μηχανή καθαρές.

Χρησιμοποιείτε μόνο πρόσθ. εξαρτήματα Milwaukee και ανταλλακτικά Milwaukee. Κατασκ. τμήματα, που η αλλαγή τους δεν περιγράφεται, αντικαθιστώνται σε μια τεχνική υποστήριξη της Milwaukee (βλέπε φυλλάδιο εγγύηση/ διευθύνσεις τεχνικής υποστήριξης).

Σε περίπτωση που το χρειαστείτε μπορείτε να παραγγείλετε λεπτομερές σχέδιο της συσκευής αναφέροντας τον τύπο και τον εξαμηνίο αριθμό που βρίσκεται στην πινακίδα τεχνικών χαρακτηριστικών από την εξυπηρέτηση πελατών ή απευθείας από την Techtronic Industries GmbH, διεύθυνση Max-Eyth-Straße 10, 71364 Winnenden, Germany.

## ΣΥΜΒΟΛΑ



ΠΡΟΣΟΧΗ! ΠΡΟΕΙΔΟΠΟΙΗΣΗ! ΚΙΝΔΥΝΟΣ!



Πριν από κάθε εργασία στη μηχανή αφαιρέτε την ανταλλακτική μπαταρία.



Παρακαλώ διαβάστε σχολαστικά τις οδηγίες χρήσης πριν από την έναρξη λειτουργίας.



Μη καταπίνετε την μπαταρία-κουμπί!



Στις εργασίες με τη μηχανή φοράτε πάντοτε προστατευτικά γυαλιά.



Εξαρτήματα - Δεν περιλαμβάνονται στα υλικά παράδοσης, συνιστούμενη προσθήκη από το πρόγραμμα εξαρτημάτων.



Απόβλητα ηλεκτρικών στηλών και ηλεκτρικού και ηλεκτρονικού εξοπλισμού δεν επιτρέπεται να απορρίπτονται μαζί με τα οικιακά απορρίμματα. Απόβλητα ηλεκτρικών στηλών και ηλεκτρικού και ηλεκτρονικού εξοπλισμού πρέπει να συλλέγονται και να απορρίπτονται ξεχωριστά.

Πριν την απόρριψη να αφαιρέτε ηλεκτρικές στήλες, συσσωρευτές και λαμπτήρες από τον εξοπλισμό.

Ενημερωθείτε από τις τοπικές υπηρεσίες ή από ειδικευμένους εμπόρους σχετικά με κέντρα ανακύκλωσης και συλλογής απορριμμάτων.

Ανάλογα με τους τοπικούς κανονισμούς μπορεί να είναι οι έμποροι λιανικής πώλησης υποχρεωμένοι, να παίρνουν πίσω απόβλητα ηλεκτρικών στηλών και ηλεκτρικού και ηλεκτρονικού εξοπλισμού δωρεάν.

Συμβάλλετε κι εσείς μέσω επαναχρησιμοποίησης και ανακύκλωσης των αποβλήτων των ηλεκτρικών στηλών, και του ηλεκτρικού και ηλεκτρονικού εξοπλισμού σας στη μείωση της ζήτησης πρώτων υλών.

Απόβλητα ηλεκτρικών στηλών (προπαντός ηλεκτρικών στηλών ιόντων λιθίου) και ηλεκτρικού και ηλεκτρονικού εξοπλισμού περιόχουν πολύτιμες, επαναχρησιμοποιήσιμες ύλες που μπορεί να βλάπτουν το περιβάλλον και την υγεία σας κατά τη μη περιβαλλοντικής ορθή διάθεσή τους.

Πριν την απόρριψη να διαγράψετε δεδομένα προσωπικού χαρακτήρα που πιθανόν να υπάρχουν στα απόβλητα του εξοπλισμού σας.



Αριθμός παλινδρομήσεων χωρίς φορτίο



Τάση



Συνεχές ρεύμα



Ευρωπαϊκό σήμα πιστότητας



Βρετανικό σήμα πιστότητας



Ουκρανικό σήμα πιστότητας



Ευρασιατικό σήμα πιστότητας

TEKNİK VERİLER	AKÜ KILIÇ TESTERESİ	M18 ONEFSZ
Üretim numarası.....	.....	477908 03 ...000001-999999
Maksimum kesme derinliği:		
Yumuşak tahtada.....	.....	300 mm
Çelikte.....	.....	20 mm
Alüminyum.....	.....	25 mm
Renkli metalde.....	.....	25 mm
Metal borular.....	.....	150 mm
Boştaki strok sayısı.....	.....	0-3000 min <sup>-1</sup>
Strok yüksekliği.....	.....	32 mm
Kartuş akü gerilimi.....	.....	18 V
Bluetooth sürümü.....	.....	4.2
Frekans bandı.....	.....	2400 – 2480 MHz
İletim gücü.....	.....	0 dBm
Ağırlığı ise EPTA-üretici 01/2014 'e göre. (2,0 Ah - 12,0 Ah).....	.....	3,5... 4,6 kg
Çalışma sırasında tavsiye edilen ortam sıcaklığı.....	.....	-18...+50 °C
Tavsiye edilen akü tipleri.....	.....	M18B2... M18HB12
Tavsiye edilen şarj aletleri.....	.....	M12-18 ... ; M1418C6

### Gürültü/Vibrasyon bilgileri

Ölçüm değerleri EN 62841'e göre belirlenmektedir.

Aletin A değerlendirilmiş gürültü seviyesi tipik olarak şu değerdedir:

Ses basıncı seviyesi (Tolerans K=3dB(A)).....	88, 15 dB (A)
Akustik kapasite seviyesi (Tolerans K=3dB(A)).....	99, 15 dB (A)

### Koruyucu kulaklık kullanı!

Toplam titreşim değeri (üç yönün vektör toplamı) EN 62841'e göre belirlenmektedir:

Ağaç yontma *1	
Titreşim emisyon değeri a <sub>h, B</sub> .....	20, 18 m/s <sup>2</sup>
Tolerans K=.....	1, 5 m/s <sup>2</sup>
Ağaç direklerin testere edilmesi. *2	
Titreşim emisyon değeri a <sub>h, WB</sub> .....	19, 53 m/s <sup>2</sup>
Tolerans K=.....	1, 5 m/s <sup>2</sup>

\*1 bimetal testere, Boyu 150 x 1,25 mm ve dış dağılımı 5 mm

\*2 bimetal testere, Boyu 230 x 1,25 mm ve dış dağılımı 5 mm

### UYARI

Bu bilgi formunda belirtilen titreşim ve gürültü düzeyi EN 62841 uyarınca standart bir test yöntemine göre ölçülmüş olup, bir aleti diğerleriyle karşılaştırmak için kullanılabilir. Bir maruz kalma ön değerlendirmesi için de kullanılabilir.

Beyan edilmiş titreşim ve gürültü emisyon değeri aletin ana uygulamalarını temsil eder. Ancak, alet farklı uygulamalar için veya farklı aksesuarla kullanılır ya da aletin bakımı yetersiz yapılırsa, titreşim ve gürültü emisyonu farklılık gösterebilir. Bu, toplam çalışma süresi boyunca maruz kalma seviyesini önemli ölçüde artırabilir.

Titreşim ve gürültüye maruz kalma seviyesi tahmininde, aletin kapalı olduğu veya çalıştığı, ancak aslında işini yapmadığı süreler de göz önünde bulundurulmalıdır. Bu, toplam çalışma süresi boyunca maruz kalma seviyesini önemli ölçüde azaltabilir.

Operatörü titreşim ve/veya gürültünün etkilerinden korumak için, aletin ve aksesuarların bakımını yapmak, elleri sıcak tutmak ve çalışma biçimlerini düzenlemek gibi ilave güvenlik önlemleri belirleyin.

**UYARI! Bu elektrikli el aletle ilgili bütün uyarıları, talimat hükümlerini, gösterimleri ve spesifikasyonları okuyun.** Aşağıda açıklanan talimat hükümlerine uyulmadığı taktirde elektrik çarpmalarına, yangınlara ve/veya ağır yaralanmalara neden olunabilir.

### KILIÇ TESTERELER İÇİN GÜVENLİK UYARILARI

**Kesme aletinin eğilmiş elektrik kabloları isabet eden çalışmalar yapılırken cihazı izole edilmiş kollarından tutun.**

Kesme aletinin içinden elektrik akımı geçen kablo ile temas etmesi durumunda elektrik akımı cihazın metal kısımlarına geçer ve elektrik çarpmasına sebebiyet verebilir.

**Aleti sağlam bir altlığa sabit olarak tutturabilmek amacıyla vidalı mengine veya diğer pratik yardımcı aletler kullanınız.** Aletin elle tutulması veya vücudunuzla bastırılması suretiyle alet kayabilir ve kontrolden çıkabilir.

### EK GÜVENLİK VE ÇALIŞMA TALİMATLARI

Koruma teçhizatı kullanın.Makinada çalışırken devamlı surette koruyucu gözlük takın. Koruyucu elbise ve tozlardan koruma maskesi, emniyet eldivenleri ve sağlam ve kaymaya mukavim ayakkabı giyin. Başlık ve kulaklık tavsiye edilir.

Çalışma sırasında ortaya çıkan toz genellikle sağlığa zararlıdır ve bedeninize temas etmemelidir. Uygun bir koruyucu toz maskesi kullanın

Sağlık tehlikelerine neden olan malzemelerin işlenmesi yasaktır (örn. asbest).

Uca yerleştirilen takımın bloke olması halinde lütfen cihazı hemen kapatın! Uca yerleştirilen takım bloke olduğu sürece cihazı tekrar çalıştırmayın; bu sırada yüksek reaksiyon momentine sahip bir geri tepme meydana gelebilir. Uca yerleştirilen takımın neden bloke olduğuna bakın ve bu durumu güvenli uyarılara dikkat ederek gidin.

Olası nedenler şunlar olabilir:

- İşlenen parça içinde takılma
- İşlenen malzemenin delinmesi
- Elektrikli alete aşırı yük binmesi

Ellerinizi çalışmakta olan makinenin içine uzatmayın.

Uca yerleştirilen takım kullanım sırasında ısınabilir.

**UYARI!** Yanma tehlikesi

- takım değiştirme sırasında
- aletin yere bırakılması sırasında

Alet çalışır durumda iken talaş ve kırıntılarını temizlemeye çalışmayın.

Duvar, tavan ve zeminde delik açarken elektrik kablolarına, gaz ve su borularına dikkat edin.

İşlenen parçayı bir germe tertibatıyla emniyete alın. Emniyete alınmayan iş parçaları ağır yaralanmalar ve hasarlara neden olabilir.

Çatlamış ve deforme olmuş testere bıçaklarını kullanmayın!

Malzeme içine dalarak kesme sadece yumuşak malzemelerde (tahta, duvarlarda kullanılan hafif yapı malzemeleri gibi) mümkündür. Sert malzemelerde ise testere bıçağı boyutuna uygun bir ön kılavuz delik açılmalıdır.

Aletin kendinde bir çalışma yapmadan önce kartuş aküyü çıkarın.

Kullanılmış kartuş aküleri ateşe veya ev çöplerine atmayın. Milwaukee, kartuş akülerin çevreye zarar vermeyecek biçimde tasfiye edilmesine olanak sağlayan hizmet sunar; lütfen bu konuda yetkili satıcınızdan bilgi alın.

Kartuş aküleri metal parça veya eşyalarla birlikte saklamayın (kısa devre tehlikesi).

Şarj cihazının kartuş akü yuvasına hiçbir şekilde metal parçalar kaçmamalıdır (kısa devre tehlikesi).

18 V sistemli kartuş aküleri sadece 18 V sistemli şarj cihazları ile şarj edin. Başka sistemli aküleri şarj etmeyin.

Kartuş aküleri ve şarj cihazını açmayın ve sadece kuru yerlerde saklayın. Neme ve ıslanmaya karşı koruyun.

Aşırı zorlanma veya aşırı ısınma sonucu hasar gören kartuş akülerden batarya sıvısı dışarı akabilir. Batarya sıvısı ile temas gelen yeri hemen bol su ve sabunla yıkayın. Batarya sıvısı gözünüze kaçacak olursa en azından 10 dakika yıkayın ve zaman geçirmeden bir hekime başvurun.

**UYARI!** Bir kısa devreden kaynaklanan yangın, yaralanma veya ürün hasarları tehlikesini önlemek için aleti, güç paketini veya şarj cihazını asla sıvıların içine daldırmayın ve cihazların ve pillerin içine sıvı girmesini önleyin. Tuzlu su, belirli kimyasallar, aşartıcı madde veya aşartıcı madde içeren ürünler gibi korozif veya iletken sıvılar kısa devreye neden olabilir.

**UYARI!** Bu cihazda lityum yassı pil bulunmaktadır. Yeni veya kullanılmış bir pil, yutulması veya vücuda girmesi durumunda vücut için ıleri derecede yanmasına ve 2 saatten kısa bir sürede ölüme neden olabilir. Pili yuvasının her zaman kapalı tutunuz. Güvenli bir şekilde kapanmıyorsa cihazı kapatınız, pili çıkartınız ve çocuklardan uzak tutunuz. Pillerin yutulduğuna veya vücuda girdiğine inanıyorsanız hemen bir hekime başvurunuz.

### AT UYGUNLUK BEYANI

Üretici sıfatıyla tek sorumlu olarak "Teknik Veriler" bölümünde tarif edilen ürünün 2011/65/EU (RoHS), 2014/30/EC, 2006/42/EC sayılı direktifin ve aşağıdaki harmonize temel belgelerin bütün önemli hükümlerine uygun olduğunu beyan etmekteyiz:

EN 62841-1:2015  
EN 62841-2-11:2016/A1:2020  
EN 55014-1:2017/A11:2020  
EN 55014-2:2015  
EN 62479:2010  
EN 300 328 V2.2.2  
EN 301 489-1 V2.2.3  
EN 301 489-17 V3.2.4  
EN IEC 63000:2018

Winnenden, 2021-08-16

*Alexander Krug*

Alexander Krug  
Managing Director

Teknik evrakları hazırlamakla görevlendirilmiştir.

Techtronic Industries GmbH  
Max-Eyth-Straße 10  
71364 Winnenden  
Germany



### KULLANIM

Bu panter testere tahta, plastik ve metalleri keser; düz, kavisi ve içten kesme işleri yapar. Borularını keser ve yüzüyle aynı hızda kesme yapar.

Bu alet sadece belirttiği gibi ve usulüne uygun olarak kullanılabilir.

### İŞLETME MODUNUN SEÇİLMESİ

İşletme modunu değiştirmeden önce aletin tamamıyla durmasını bekleyiniz. Ayarları değiştirmek için tuşuna basınız. Önceden ayarlanmış değerleri akıllı telefonunuz üzerindeki ONE-KEY uygulaması üzerinden değiştirmek için WLAN tuşuna basınız.

Otomatik testere durdurucu malzeme tamamen kesildikten sonra panter testereyi durdurur.

### ONE-KEY™

Bu aletin ONE-KEY fonksiyonelliği hakkında daha fazla bilgi edinmek için yanınıza bulunan kısa kullama kılavuzuna bakınız veya bizi www.milwaukeeetool.com/one-key adresindeki internet sitemizde ziyaret ediniz. ONE-KEY uygulamasını App Store veya Google Play üzerinden akıllı telefonunuza yükleyebilirsiniz.

Cihaz elektrotatik deşarj olaylarından dolayı parazite maruz kaldığında LED hız göstergesi kapanır ve hız azalanamaz. Bu durumda değiştirilebilir aküyü ve düğme pili çıkartın ve yerine yenisini yerleştiriniz (sayfa 6 ve sayfa 16). Elektrotatik deşarj olaylarının neden olduğu parazitler Bluetooth iletişiminde de kesintilerine yol açmaktadır. Bu durumda Bluetooth bağlantı manuel olarak tekrar oluşturulmak zorundadır. Kontrol sonuçları EN 55014-2 / EN 301489-1 / EN 301489-17 standardına uygun asgari taleplerimizi yerine getirmektedir.

### ELEKTRİKLİ FREN

Şalter düğmesinin serbest bırakılması durumunda testere levhası yaklaşık 2 saniye içerisinde elektrikli fren ile durdurulur. Ancak elektrikli fren gecikmeli olarak etki yapabilir. Elektrikli fren ara sıra etkili değildir. Şayet elektrikli fren sık sık etkili olmazsa, testerenin yetkili bir Milwaukee Servisine götürülmesi gerekir. Testere levhası ancak durduktan sonra testerenin aparatından çekilmesi gerekir.

### AKÜ

Uzun süre kullanılm dışı kalmış kartuş aküleri kullanmadan önce şarj edin.

50°C üzerindeki sıcaklıklar kartuş akünün performansını düşürür. Akünün güneş ışığı veya mēkân sıcaklığı altında uzun süre ısınmamasına dikkat edin.

Şarj cihazı ve kartuş aküdeki bağlantı kontaklarını temiz tutun.

Akünün ömrünün mükemmel bir şekilde uzun olması için kullandıktan sonra tamamen doldurulması gerekir.

Ömrünün mümkün olduğu kadar uzun olması için akülerin yüklemeye yapıldıktan sonra doldurma cihazından uzaklaştırılması gerekir.

Akünün 30 günden daha fazla depolanması halinde: Aküyü takriben 27°C'de kuru olarak depolayın. Aküyü yüklemeye durumunun takriben % 30 - %50 olarak depolayın. Aküyü her 6 ay yeniden doldurun.

### AKÜNÜN AŞIRI YÜKLENMEYE KARŞI KORUNMASI

Pek fazla elektrik tüketimi yapılmak suretiyle aküye fazla yüklenildiğinde, örneğin aşırı devir momentleri, aniden durma veya kısa devre, elektrikli alet 2 saniye garip sesler çıkarır ve kendiliğinden durur. Aleti yeniden çalıştırmak için şalter baskı kolunu serbest bırakın ve bundan sonra tekrar çalıştırın. Aşırı yüklenme durumunda ise akü pek fazla ısınır. Bu durumda akü kendiliğinden durur."

### LİTYUM İYON PİLLERİN TAŞINMASI

Lityum iyon piller tehlikeli madde taşımacılığı hakkındaki yasal hükümler tabidir.

Bu piller, bölgesel, ulusal ve uluslararası yönetmeliklere ve hükümlere uyularak taşınmak zorundadır.

- Tüketiciler bu pilleri herhangi bir özel şart aranmaksızın karayoluyla taşıyabilirler.
- Lityum iyon pillerin nakliye şirketleri tarafından ticari taşımacılığı için tehlikeli madde taşımacılığının hükümleri geçerlidir. Sevki hazırlığı ve taşıma sadece ilgili eğitimi görmüş personel tarafından gerçekleştirilebilir. Bütün süreç uzmanca bir refakatçilik altında gerçekleştirilmek zorundadır.

Pillerin taşınması sırasında aşağıdaki hususlara dikkat edilmesi gerekmektedir:

- Kısa devre oluşmasını önlemek için kontakların korunmuş ve izole edilmiş olmasını sağlayınız.
- Pili paketinin ambalajı içinde kaymamasına dikkat ediniz.
- Hasarlı veya akmış pillerin taşınması yasaktır.

Ayrıca bilgiler için nakliye şirketinize başvurunuz.

## BAKIM

Aletin havalandırma aralıklarını daima temiz tutun.

Sadece Milwaukee aksesuarı ve yedek parçası kullanın. Nasıl değiştirileceği açıklanmamış olan yapı parçalarını bir Milwaukee müşteri servisinde değiştirin (Garanti ve servis adresi broşürüne dikkat edin).

Gerektiğinde cihazın ayrıntılı çizimini, güç levhası üzerindeki makine modelini ve altı haneli rakamı belirterek müşteri servisizden veya doğrudan Techtronic Industries GmbH, Max-Eyth-Straße 10, 71364 Winnenden, Germany adresinden isteyebilirsiniz.

## SEMBOLLER



DIKKAT! UYARI! TEHLİKE!



Aletin kendinde bir çalışma yapmadan önce kartuş aküyü çıkarın.



Lütfen aleti çalıştırmadan önce kullanma kılavuzunu dikkatli biçimde okuyun.



Yassı pilleri yutmayınız!



Aletle çalışırken daima koruyucu gözlük kullanın.



Aksesuar - Teslimat kapsamında değildir, önerilen tamamlamalar aksesuar programında.



Atık pillerin, atık elektrikli ve elektronik eşyaların evsel atıklarla birlikte bertaraf edilmesi yasaktır. Atık piller, atık elektrikli ve elektronik eşyalar ayrılarak biriktirilmeli ve bertaraf edilmelidir. Bertaraf etmeden önce cihazların içindeki atık pilleri, atık akümülatörleri ve lambaları çıkartınız. Yerel makamlara veya satıcınıza geri dönüşüm tesisleri ve atık toplama merkezlerinin yerlerini danışınız. Yerel yönetmeliklere göre perakende satıcılar atık pilleri, atık elektrikli ve elektronik eşyaları ücret talep etmeden geri almak zorunda olabilirler. Atık pillerinizi, atık elektrikli ve elektronik eşyalarınızı tekrar kullanarak ve geri dönüşüme vererek ham madde gereksiniminin az tutulmasına katkıda bulununuz. Atık piller (özellikle lityum iyon piller), atık elektrikli ve elektronik eşyalar, çevreye uygun şekilde bertaraf edilmediklerinde çevre ve sağlığınız üzerinde olumsuz etkilere neden olabilen değerli, tekrar kullanılabilir malzemeler içerirler. Bertaraf etmeden önce atık eşyanız içinde mevcut olabilen şahsınızla ilgili bilgileri siliniz.

$n_b$

V

Doğru akım

Avrupa uyumluluk işareti

Britanya uyumluluk işareti

UK CA

Ukrayna uyumluluk işareti

001

EAC

Avrasya uyumluluk işareti

Avrasya uyumluluk işareti

## TECHNICKÁ DATA

## AKU ŠAVLOVÁ PILA

## M18 ONEFSZ

Výrobní číslo.....	.....477908 03	.....000001-999999
Řezná hloubka max. v:		
Měkké dřevo .....	300 mm	
Ocel.....	20 mm	
Hliník .....	25 mm	
Barevné kovy .....	25 mm	
Kovové trubky .....	150 mm	
Počet zdvihů při b. napr.....	0-3000 min <sup>-1</sup>	
Výška zdvihů .....	32 mm	
Napětí výměnného akumulátoru .....	18 V	
Verze Bluetooth .....	4.2	
Kmitočtové pásmo .....	2400 – 2480 MHz	
Radiofrekvenční výkon .....	0 dBm	
Hmotnost podle prováděcího předpisu EPTA 01/2014 (2,0 Ah - 12,0 Ah) .....	3,5 .. 4,6 kg	
Doporučená okolní teplota při práci .....	-18 .. +50 °C	
Doporučené typy akumulátorů .....	M18B2... M18HB12	
Doporučené nabíječky .....	M12-18 ... ; M1418C6	

## Informace o hluku / vibracích

Naměřené hodnoty odpovídají EN 62841.

Typická vážená

Hladina akustického tlaku (Kolísavost K=3dB(A)) .....88,15 dB (A)

Hladina akustického výkonu (Kolísavost K=3dB(A)).....99,15 dB (A)

## Používejte chrániče sluchu!

Celkové hodnoty vibrací (vektorový součet tří směrů) zjištěné ve smyslu EN 62841.

Řezání dřeva \*1

Hodnota vibračních emisí  $a_{h,B}$  .....20,18 m/s<sup>2</sup>

Kolísavost K= .....1,5 m/s<sup>2</sup>

Řezání dřevěných trámů \*2

Hodnota vibračních emisí  $a_{h,VB}$  .....19,53 m/s<sup>2</sup>

Kolísavost K= .....1,5 m/s<sup>2</sup>

\*1 s pilovým listem bimetal, rozměr 150 x 1,25 mm a rozestup zubů 5 mm

\*2 s pilovým listem bimetal, rozměr 230 x 1,25 mm a rozestup zubů 5 mm

## VAROVÁNÍ

Hladina vibrací a emisí hluku uvedená v tomto informačním listu byla měřena v souladu se standardizovanou zkouškou uvedenou v normě EN 62841 a může být použita ke srovnání jednoho nástroje s jiným. Může být použita k předběžnému posouzení expozice.

Deklarovaná úroveň vibrací a emisí hluku představuje hlavní použití nástroje. Pokud se však nástroj používá pro různé aplikace, s různými příslušenstvími nebo s nedostatečnou údržbou, mohou se vibrace a emise hluku lišit. To může výrazně zvýšit úroveň expozice v průběhu celé pracovní doby.

Odhad úrovně expozice vibracím a hluku by měl také vzít v úvahu dobu, kdy je nástroj vypnutý nebo když běží, ale ve skutečnosti neprovádí úlohu. To může výrazně snížit úroveň expozice v průběhu celé pracovní doby.

Identifikujte dodatečná bezpečnostní opatření k ochraně pracovníka obsluhy před účinky vibrací a/nebo hluku, například: údržba nástroje a příslušenství, udržování rukou v teple, organizace pracovních schémat.



**VAROVÁNÍ! Přečtěte si všechna výstražná upozornění, pokyny, zobrazení a specifikace pro toto elektrické nářadí.** Zanedbání při dodržování výstražných upozornění a pokynů uvedených v následujícím textu může mít za následek zásah elektrickým proudem, způsobit požár a/ nebo těžké poranění.

## BEZPEČNOSTNÍ POKYNY PRO ŠAVLOVÉ PILY

**Při provádění prací, při kterých nástroj může narazit na skryta elektrická vedení, držte přístroj za izolované přidržovací plošky.** Kontakt řezného nástroje s vedením pod napětím může vést k přenosu napětí na kovové části přístroje a k úrazu elektrickým proudem.

**K upevnění obráběného dílu na stabilním podkladu použijte šroubovou svěrku nebo jinou praktickou pomůcku.** Přidržováním obráběného dílu rukou nebo jeho přitlačováním tělem se díl může vysmeknout a tím může dojít ke ztrátě kontroly.

## DALŠÍ BEZPEČNOSTNÍ A PRACOVNÍ POKYNY

Použijte ochranné vybavení. Při práci s elektrickým nářadím používejte vždy ochranné brýle. Doporučujeme rovněž použití součástí ochranného oděvu a ochranné obuvi, jako protiprašné masky, ochranných rukavic, pevné a neklouzající obuvi, ochranné přilby a ochrany sluchu.

Prach vznikající při práci s tímto nářadím může být zdraví škodlivý. Proto by neměl přijít do styku s tělem. Používejte při práci vhodnou ochranou masku.

Nesmějí se opracovávat materiály, které mohou způsobit ohrožení zdraví (např. azbest)

Při zablokování nasazeného nástroje přístroj okamžitě vypněte! Přístroj nezapínejte, pokud je nasazený nástroj zablokovaný; mohl by při tom vzniknout zpětný náraz s vysokým reakčním momentem. Zjistěte příčinu zablokování nasazeného nástroje a odstraňte ji při dodržení bezpečnostních pokynů.

Možnými příčinami mohou být:

- vzpříčení v opracovávaném obrobku
- přelomení opracovávaného materiálu
- přetížení elektrického přístroje

Nezasahujte do běžícího stroje.

Nasazený nástroj se může během používání rozpálit.

**VAROVÁNÍ!** Nebezpečí popálení.

- při výměně nástroje
- při odkládání přístroje

Pokud stroj běží, nesmí být odstraňovány třísky nebo odštěpky.

Při vrtání do zdi, stropu nebo podlahy dávat pozor na elektrické kabely, plynová a vodovodní potrubí.

Obrobek zabezpečte upínacím zařízením. Nezabezpečené obrobky mohou způsobit těžká poranění a poškození.

Popraskané nebo zdeformované pilové listy nesmí být používány!

Takzvané ponorné fezy jsou možné jen u měkkých materiálů. Zapneme nástroj a nasadíme ho na vodič třmen, jednou rukou dobře přidržujeme kryt a druhou rukou zadržujeme ovladač nahoru a zanoříme pilový list.

Před zahájením veškerých prací na vrtacím šroubováku vyjmout výměnný akumulátor.

Použitě nevyhazujte do domovního odpadu nebo do ohně. Milwaukee nabízí ekologickou likvidaci starých článků, ptejte se u vašeho obchodníka s nářadím.

Náhradní akumulátor neskladujte s kovovými předměty, nebezpečí zkrat.

V nabíjecím postu nabíječky neskladujte kovové předměty, nebezpečí zkrat.

Akumulátor systému 18 V nabíjejte pouze nabíječkou systému 18 V. Nenabíjejte akumulátory jiných systémů.

Náhradní akumulátory ani nabíječku neotvírejte, skladujte je v suchu, chraňte před vlhkem.

Při extrémní zátěži či vysoké teplotě může z akumulátoru vytékat kapalina. Při zasažení touto kapalinou okamžitě zasažená místa omyjte vodou a mýdlem. Při zasažení očí okamžitě důkladně omyjte alespoň 20 min. omývat a neodkládně vyhledat lékaře.

**Varování!** Abyste zabránili nebezpečí požáru způsobeného zkratem, poraněním nebo poškozením výrobku, neponořujte nářadí, výměnnou baterii nebo nabíječku do kapaliny a zajistěte, aby do zařízení a akumulátorů nevnikly žádné tekutiny. Korodující nebo vodivé kapaliny, jako je slaná voda, určité chemikálie a bělicí prostředky nebo výrobky, které obsahují bělidlo, mohou způsobit zkrat.

**! VÝSTRAHA!** Tento přístroj obsahuje lithiovou knoflíkovou baterii. Nová nebo použitá baterie může způsobit těžké vnitřní popáleniny a v době kratší než 2 hodiny vést ke smrti, pokud se spolknou nebo se dostane do těla. Víko na příhradce na baterie vždy zajistěte. Pokud není bezpečně uzavřeno, přístroj vypne, odstraňte baterii a chraňte ji před dětmi. Pokud se domníváte, že baterie někdo spolknul nebo se mu dostaly do těla, okamžitě vyhledejte lékařskou pomoc.

## ES PROHLÁŠENÍ O SHODĚ

My jako výrobce výhradně na vlastní zodpovědnost prohlašujeme, že se výrobek popsáný v "Technických údajích" shoduje se všemi relevantními předpisy směrnice 2011/65/EÚ (RoHS), 2014/30/EÚ, 2006/42/ES a následujícími harmonizovanými normativními dokumenty:

EN 62841-1:2015  
EN 62841-2-11:2016/A1:2020  
EN 55014-1:2017/A11:2020  
EN 55014-2:2015  
EN 62479:2010  
EN 300 328 V2.2.2  
EN 301 489-1 V2.2.3  
EN 301 489-17 V3.2.4  
EN IEC 63000:2018

Winnenden, 2021-08-16



Alexander Krug  
Managing Director



Zplnomocněn k sestavování technických podkladů.



Teichtronic Industries GmbH  
Max-Eyth-Straße 10  
71364 Winnenden  
Germany

## OBLAST VYUŽITÍ

Šavlová pila řeže dřevo, plasty a kov. Řeže přímkově, v křivkách a vnitřní průřezy. Řeže trubky a odděluje plochy.

Toto zařízení lze používat jen pro uvedený účel.

## VÝBĚR PROVOZNIHO REŽIMU

Před změnou provozního režimu počkejte, až se přístroj úplně zastaví. Abyste mohli změnit nastavení, stiskněte tlačítko . Stiskněte tlačítko WLAN , abyste mohli změnit přednastavené hodnoty přes aplikaci ONE-KEY na vašem chytrém telefonu.

Automatické zastavení pily : zastaví pilu s vratným pohybem po úplném rozřezání materiálu.

## ONE-KEY™

Abyste se dozvěděli více o funkci ONE-KEY tohoto přístroje, přečtěte si příložený návod na rychlý start nebo nás navštivte na internetu na [www.milwaukeeetool.com/one-key](http://www.milwaukeeetool.com/one-key). Aplikaci ONE-KEY si na váš chytrý telefon můžete stáhnout přes App Store nebo Google Play.

Pokud bude zařízení rušeno elektrostatickými náboji, LED-indikátor rychlosti se vypne a rychlost už nelze regulovat. V tomto případě vyjměte výměnný akumulátor a knoflíkový akumulátor a znovu jej vložíte (viz stranu 6 a stranu 16). Poruchy způsobené elektrostatickými výboji vedou také k přerušení komunikace Bluetooth. V tomto případě se musí spojení Bluetooth manuálně obnovit. Výsledky zkoušky splňují naše minimální požadavky podle EN 55014-2 / EN 301489-1 / EN 301489-17.

## ELEKTRICKÁ BRZDA

Při uvolnění spínacího tlačítka elektrická brzda během cca 2 sekund zastaví pilový list. Elektrická brzda však může účinkovat s časovou prodlevou. Pokud elektrická brzda opakovaně selže, musí se pila odnést do autorizovaného servisu Milwaukee. Pilu z řezaného dílu vyjměte teprve po zastavení pilového listu.

## AKUMULÁTORY

Děle nepoužívané akumulátory je nutné před použitím znovu nabít.

Teplota přes 50°C snižuje výkon akumulátoru. Chraňte před dlouhým přehříváním na slunci či u topení.

Kontakty nabíječky a akumulátoru udržujte v čistotě.

Optimální životnost akumulátorů se zajistí, když se po použití vždy plně nabijí.

K zabezpečení dlouhé životnosti by se akumulátory měly po nabití vyjmout z nabíječky.

Při skladování akumulátoru po dobu delší než 30 dní: Skladujte akumulátor v suchu při cca 27°C. Skladujte akumulátor při cca 30%-50% nabíjecí kapacitě. Opakujte nabíjení akumulátoru každých 6 měsíců.

## OCHRANA PROTI PŘETÍŽENÍ AKUMULÁTORU

Při přetížení akumulátoru příliš vysokým odběrem proudu, například při extrémně vysokých točivých momentech, při blokování, náhlém zastavení nebo zkratu, začne vrtáčka na 2 sekundy brúčet a poté se samočinně vypne. K opětovnému zapnutí uvolněte spínací tlačítko a poté jej opět zapněte. Při extrémním zatížení se akumulátor může silně zahřát. Dojde-li k tomu, akumulátor se vypne.

## PŘEPRAVA LITHIUM-IONTOVÝCH BATERIÍ

Lithium-iontové baterie spadají podle zákonných ustanovení pod přepravu nebezpečného nákladu.

Přeprava těchto baterií se musí realizovat s dodržováním lokálních, vnitrostátních a mezinárodních předpisů a ustanovení.

- Spotřebitelé mohou tyto baterie bez problémů přepravovat po komunikacích.

- Komerční přeprava lithium-iontových baterií prostřednictvím přepravních firem podléhá ustanovením o přepravě nebezpečného nákladu. Přepravu k vyexpedování a samotnou přepravu smíjí vykonávat jen příslušně vyškolené osoby. Na celý proces se musí odborně dohlížet.

Při přepravě baterií je třeba dodržovat následující:

- Zajistěte, aby kontakty byly chráněné a izolované, aby se zamezilo zkratům.
- Dávejte pozor na to, aby se svazek baterií v rámci balení nemohl sesmeknout.
- Poškozené a vytekající baterie se nesmějí přepravovat.

Ohledně dalších informací se obraťte na vaši přepravní firmu.







## ÚDRŽBA

Větrací štěrbiny nářadí udržujeme stále čisté.

Používat výhradně příslušenství Milwaukee a náhradní díly Milwaukee. Díly jejichž výměny nebyla popsána, nechte vyměnit v autorizovaném servisu (viz: "Záruky / Seznam servisních míst")

V případě potřeby si můžete v servisním centru pro zákazníky nebo přímo od firmy Teichtronic Industries GmbH, Max-Eyth-Straße 10, 71364 Winnenden, Německo vyžádat schematický náčrt jednotlivých dílů přístroje, když uvedete typ přístroje a šestimístní číslo na výkonovém štítku.

## SYMBOLY

	POZOR! VAROVÁNÍ! NEBEZPEČÍ!
	Před zahájením veškerých prací na vrtacím šroubováku vyjmout výměnný akumulátor.
	Před spuštěním stroje si pečlivě pročtěte návod k používání.
	Knoflíková baterie se nesmí spolknout!
	Při práci se strojem neustále nosit ochranné brýle.
	Příslušenství není součástí dodávky, viz program příslušenství.



Odpadní baterie a odpadní elektrická a elektronická zařízení se nesmějí likvidovat společně s domovním odpadem. Odpadní baterie a odpadní elektrická a elektronická zařízení je nutné sbírat a likvidovat odděleně.

Před likvidací odstraňte ze zařízení odpadní baterie, odpadní akumulátory a osvětlovací prostředky. Informujte se na místních úřadech nebo u vašeho odborného prodejce ohledně recyklačních dvorů a sběrných míst. Podle místních ustanovení mohou maloobchodní prodejci být povinni bezplatně odebrat zpět odpadní baterie a odpadní elektrická a elektronická zařízení. Opětovným použitím a recyklací vašich odpadních baterií a vašich odpadních elektrických a elektronických zařízení přispíváte ke snížení potřeby surovin. Odpadní baterie (především lithium-iontové baterie), odpadní elektrická a elektronická zařízení obsahují cenné, opětovně použitelné materiály, které při ekologické likvidaci nemohou mít negativní účinky na životní prostředí a vaše zdraví. Před likvidací pokud možno vymažte na vašem odpadním přístroji existující osobní údaje.

	Počet zdvihů při b. napr
	Napětí
	Stejnosměrný proud
	Značka shody v Evropě
	Značka shody v Británii
	Značka shody na Ukrajině
	Značka shody pro oblast Eurasie

TECHNICKÉ ÚDAJE	AKUMULÁTOROVÁ ŠABLŔOVÁ PÍLA	M18 ONEFSZ
Výrobné číslo.....	.....	.....477908 03 .....000001-999999
Max. hĺbka rezu v:		
Mákké drevo .....	.....	.....300 mm
Oceľ .....	.....	.....20 mm
hliník .....	.....	.....25 mm
Neželezny kov.....	.....	.....25 mm
Kovová rúra.....	.....	.....150 mm
Počet zdvihov naprázdno .....	.....	.....0-3000 min <sup>-1</sup>
Výška zdvíhu .....	.....	.....32 mm
Napätie výmenného akumulátora.....	.....	.....18 V
Verzia Bluetooth .....	.....	.....4.2
Frekvenčné pásmo .....	.....	.....2400 – 2480 MHz
Vysokofrekvenčný výkon .....	.....	.....0 dBm
Hmotnosť podľa vykonávacieho predpisu EPTA 01/2014 (2,0 Ah - 12,0 Ah) .....	.....	.....3,5 ... 4,6 kg
Odporúčaná okolitá teplota pri práci .....	.....	.....-18...+50 °C
Odporúčané typy akupaku.....	.....	.....M18B2... M18HB12
Odporúčané nabíjačky.....	.....	.....M12-18 ... ; M1418C6

### Informácia o hluku / vibráciách

Namerané hodnoty určené v súlade s EN 62841.

A-ohodnotená hladina akustického tlaku prístroja ciní

Hladina akustického tlaku (Kolísavosť K=3dB(A)).....88, 15 dB (A)

Hladina akustického výkonu (Kolísavosť K=3dB(A)).....99, 15 dB (A)

### Používajte ochranu sluchu!

Celkové hodnoty vibrácií (vektorový súčet troch smerov) zistené v zmysle EN 62841.

Rezanie dreva \*1

Hodnota vibračných emisií a<sub>h,B</sub>.....20, 18 m/s<sup>2</sup>

Kolísavosť K=.....1, 5 m/s<sup>2</sup>

Rezanie drevených trámov \*2

Hodnota vibračných emisií a<sub>h,WB</sub>.....19, 53 m/s<sup>2</sup>

Kolísavosť K=.....1, 5 m/s<sup>2</sup>

\*1 s pilovým listom bimetal, veľkosť 150 x 1,25 mm a rozstup zubov 5 mm

\*2 s pilovým listom bimetal, veľkosť 230 x 1,25 mm a rozstup zubov 5 mm

### POZOR

Úroveň vibrácií a emisií hluku uvedená v tomto informačnom liste bola meraná v súlade so štandardizovanou skúškou uvedenou v EN 62841 a môže sa použiť na porovnanie jedného nástroja s druhým. Môže sa použiť v predbežnom posúdení expozície.

Deklarovaná úroveň vibrácií a emisií hluku predstavuje hlavné aplikácie nástroja. Ak sa však nástroj používa pre rôzne aplikácie, s rôznym prislúšenstvom alebo s nedostatočnou údržbou, môžu sa vibrácie a emisie hluku líšiť. To môže výrazne zvýšiť úroveň expozície počas celej pracovnej doby.

Odhad úroveň expozície vibráciám a hluku by mal tiež brať do úvahy čas, keď je nástroj vypnutý alebo keď beží, ale v skutočnosti nevykonáva prácu. To môže výrazne znížiť úroveň expozície počas celej pracovnej doby.

Identifikujte dodatočné bezpečnostné opatrenia na ochranu pracovníka obsluhy pred účinkami vibrácií a/alebo hluku, ako je: údržba nástroja a prislúšenstva, udržanie teplých rúk, organizácia pracovných schém.

**VAROVANIE!** Prečítajte si všetky výstražné upozornenia, pokyny, znázornenia a špecifikácie pre toto elektrické náradie. Zanedbanie pri dodržiavaní výstražných upozornení a pokynov uvedených v nasledujúcom texte môže mať za následok zásah elektrickým prúdom, spôsobí požiar a/alebo ťažké poranenie.

### BEZPEČNOSTNÉ POKYNY PRE ŠABLŔOVÉ PÍLY

Pri realizovaní prác, pri ktorých nástroj môže naraziť na skryté elektrické vedenia, držte prístroj za izolované pridrŕovacie plošky. Kontakt rezného nástroja s vedením pod napätím môže viesť k prenosu napätia na kovové časti prístroja a k úrazu elektrickým prúdom.

K upevneniu obrábaného dielu na stabilnom podklade použite skrútkovú zvierku alebo inú praktickú pomôcku. Pridrŕovaním obrábaného dielu rukou alebo jeho prilačovaním telom sa dielec môže výšmyknúť a tým môže dôjsť k strate kontroly.

### ĎALŠIE BEZPEČNOSTNÉ A PRACOVNÉ POKYNY

Použite ochranné vybavenie. Pri práci s elektrickým náradím používajte vždy ochranné okuliare. Doporučujeme taktiež použitie súčastí ochranného odevu a ochrannej obuvi, ako sú protiprašná maska, ochranné rukavice, pevná a neklzájúca obuv, ochranná prilba a ochrana sluchu.

Prach vznikajúci pri práci môže byť škodlivý zdraviu. Pri práci nosiť vhodnú ochrannú masku, aby sa nedostal do ľudského organizmu.

Nesmú sa opravovať materiály, ktoré môžu spôsobiť ohrozenie zdravia (napr. azbest)

Pri zablokovaní nasadeného nástroja prístroj okamžite vypnite! Prístroj nezapínajte, pokiaľ je nasadený nástroj zablokovaný; mohol by pri tom vzniknúť spätný náraz s vysokým reakčným momentom. Príčinu zablokovania nasadeného nástroja zistíte a odstránite so zohľadnením bezpečnostných pokynov.

Možnými príčinami môžu byť:

- spriečenie v opracovávanom obrobov
- prelomenie opracovávaného materiálu
- preťaženie elektrického prístroja

Nezasahujte do bežiacieho stroja.

Nasadený nástroj sa počas používania môže rozhorčiť.

**POZOR!** Nebezpečenstvo popálenia

- pri výmene nástroja
- pri odkladaní prístroja

Triesky alebo úlomky sa nesmú odstraňovať za chodu stroja.

Pri práci v stene, strope alebo v podlahe dávajte pozor na elektrické káble, plynové a vodovodné potrubia.

Obrobok zabezpečte upínacím zariadením. Nezabezpečené obroby môžu spôsobiť ťažké poranenia a poškodenia.

Popraskané pilové listy alebo také, ktoré zmenili tvar, nesmú sa použiť.

Ponorné pílenie je možné len v mäkkších materiáloch (drevo, ľahké stavebné materiály pre steny), v tvrdších materiáloch (kovy) sa musí vyvrtat najprv diera odpovedajúca veľkosti pilového listu.

Pred každou prácou na stroji výmenný akumulátor vyťahnúť.

Opotrebované výmenné akumulátory nezhadzujte do ohňa alebo medzi domový odpad. Milwaukee ponúka likvidáciu starých výmenných akumulátorov, ktorá je v súlade s ochranou životného prostredia; informujte sa u Vášho predajcu.

Výmenné akumulátory neskladovať spolu s kovovými predmetmi (nebezpečenstvo skratu).

Do zasúvacieho otvoru pre výmenné akumulátory na nabíjacom zariadení, sa nesmú dostať žiadne kovové predmety (nebezpečenstvo skratu).

Výmenné akumulátory systému 18 V nabíjať len nabíjacími zariadeniami systému 18 V. Akumulátory iných systémov týmto zariadením nenabíjať.

Výmenné akumulátory a nabíjacie zariadenia neovrátať a skladovať len v suchých priestoroch. Chrániť pred vlhkosťou.

Pri extrémnych záťažach alebo extrémnych teplotách môže dôjsť k vytekaniu batérovej tekutiny z poškodeného výmenného akumulátora. Ak dôjde ku kontaktu pokožky s roztokom, postihnuté miesto umyť vodou a mydlom. Ak sa roztok dostane do očí, okamžite ich dôkladne vypláchnuť po dobu min. 10 min a bezodkladne vyhľadať lekára.

**Varovanie!** Aby ste zabránili nebezpečenstvu požiaru spôsobeného skratom, poraneniam alebo poškodeniam výrobcu, neponárajte náradie, výmennú batériu alebo nabíjačku do kvapalín a postarajte sa o to, aby do zariadení a akumulátorov nevnikli žiadne tekutiny. Korodujúce alebo vodivé kvapaliny, ako je slaná voda, určité chemikálie a bieliace prostriedky alebo výrobky, ktoré obsahujú bieliadlo, môžu spôsobiť skrat.

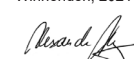
**VAROVANIE!** Tento prístroj obsahuje lítiovú gombíkovú batériu. Nová alebo použitá batéria môže spôsobiť ťažké vnútorné popálenie a v čase kratšom ako 2 hodiny viesť k smrti, ak bude prehnutá alebo ak by sa dostala do tela. Veko na priehradke na batérie vždy zaisťte. Ak nie je bezpečne uzavreté, prístroj vypnite, odstráňte batériu a chráňte ju pred deťmi. Keď sa domnievate, že batérie boli prehnuté alebo sa dostali do tela, okamžite vyhľadajte lekársku pomoc.

### ES VYHLÁSENIE O ZHODE

My ako výrobca výhradne na vlastnú zodpovednosť vyhlasujeme, že výrobok popísaný v "Technických údajoch" sa zhoduje so všetkými relevantnými predpismi smernice 2011/65/EÚ (RoHS), 2014/30/EÚ, 2006/42/ES a nasledujúcimi harmonizujúcimi normatívnymi dokumentmi:

EN 62841-1:2015  
EN 62841-2-11:2016/A1:2020  
EN 55014-1:2017/A11:2020  
EN 55014-2:2015  
EN 62479:2010  
EN 300 328 V2.2.2  
EN 301 489-1 V2.2.3  
EN 301 489-17 V3.2.4  
EN IEC 63000:2018

Winnenden, 2021-08-16



Alexander Krug  
Managing Director



Splnomocnený zostaviť technické podklady.



Techtronic Industries GmbH  
Max-Eyth-Straße 10  
71364 Winnenden  
Germany

### POUŽITIE PODĽA PREDPISOV

ŠablŔovitá píla pili drevo, plast a kov. Pili priamky, krivky a vnútorné výrezy. Reže rúry a plošne oddeľuje.

Tento prístroj sa smie používať len v súlade s uvedenými predpismi.

### VÝBER DRUHU PREVÁDZKY

Pred zmenou druhu prevádzky počkajte, kým sa prístroj úplne zastaví. Aby ste mohli zmeniť nastavenia, stlačte tlačidlo . Stlačte tlačidlo WLAN , aby ste mohli zmeniť prednastavené hodnoty cez aplikáciu ONE-KEY na vašom smartfóne.

Automatické zastavenie píly : zastaví vratnú pílu po úplnom prepílení materiálu.

### ONE-KEY™

Aby ste sa dozvedeli viac o ONE-KEY funkcii tohto prístroja, prečítajte si priložený návod na rýchly štart alebo nás navštívte na internete na [www.milwaukeeetool.com/one-key](http://www.milwaukeeetool.com/one-key). Aplikáciu ONE-KEY si na váš smartfón môžete stiahnuť cez App Store alebo Google Play.

Ak bude zariadenie rušené elektrostatickými nábojmi, LED-indikátor rýchlosti sa vypne a rýchlosť sa viac nedá regulovať. V tomto prípade vyberte výmenný akumulátor a gombíkový akumulátor a znova ho vložte (pozri stranu 6 a stranu 16). Poruchy spôsobené elektrostatickými výbojmi vedú tiež k prerušeniu komunikácie Bluetooth. V tomto prípade sa musí spojenie Bluetooth manuálne obnoviť. Výsledky skúšky spĺňajú naše minimálne požiadavky podľa EN 55014-2 / EN 301489-1 / EN 301489-17.

### ELEKTRICKÁ BRZDA

Pri uvoľnení spínacieho tlačidla elektrická brzda behom cca 2 sekúnd zastaví pilový list. Elektrická brzda však môže účinkovať s časovým spozdením. Pokiaľ elektrická brzda opakovane zlyhá, musí sa píla odniesť do autorizovaného servisu Milwaukee.

Pílu z rezaného dielu vyberte až po zastavení pilového listu.

### AKUMULÁTORY

Dlhší čas nepoužívané výmenné akumulátory pred použitím dobíť.

Teplota vyššia ako 50°C znižuje výkon výmenného akumulátora. Zabráňte dlhšiemu ohriatiu slnkom alebo kúrením.

Pripájacie kontakty na nabíjacom zariadení a výmennom akumulátore udržiavať čisté.

K zachovániu optimální životnosti se batérie musejí po použití vždy úplne dobíť.

K zabezpečeniu dlhej životnosti by sa akumulátory mali po nabití vybrať z nabíjačky.

Pri skladovaní akumulátora po dobu dlhšiu než 30 dní: Skladujte akumulátor v suchu pri cca 27°C. Skladujte akumulátor pri cca 30%-50% nabíjacej kapacity. Opakujte nabíjanie akumulátora každých 6 mesiacov.

### OCHRANA PROTI PREŤAŽENIU AKUMULÁTORA

Pri preťažení akumulátora príliš vysokým odberom prúdu, napríklad pri extrémne vysokých točivých momentoch, pri blokovaní, náhlom zastavení alebo skrate, začne vrtáčka na 2 sekundy hučať a potom sa samočinne vypne.

K opätovnému zapnutiu uvoľnite spínacie tlačidlo a potom ho opäť zapnite.

Pri extrémnom zaťažení sa akumulátor môže silne zahriať. Ak k tomu dôjde, akumulátor sa vypne.

### PREPRAVA LÍTOVO-IÓNOVÝCH BATÉRIÍ

Lítovo-iónové batérie podľa zákonných ustanovení spadajú pod prepravu nebezpečného nákladu.

Preprava týchto batérií sa musí realizovať s dodržiavaním lokálnych, vnútroštátnych a medzinárodných predpisov a ustanovení.



- Spotrebitelia môžu tieto batérie bez problémov prepravovať po cestách.
- Komerčná preprava lítiovo-iónových batérií prostredníctvom špedičných firiem podlieha ustanoveniam o preprave nebezpečného nákladu. Prípravu k vyexpedovaniu a samotnú prepravu smú vykonávať iba adekvátne vyškolené osoby. Na celý proces sa musí odborné dohliadať.

Pri preprave batérií treba dodržiavať nasledovné:

- Zabezpečte, aby boli kontakty chránené a izolované, aby sa zamedzilo skratom.
- Dávajte pozor na to, aby sa zväzok batérií v rámci balenia nemohol zošmyknúť.
- Poškodené a vytečené batérie sa nesmú prepravovať.

Kvôli ďalším informáciám sa obráťte na vašu špedičnú firmu.

## ÚDRŽBA

Vetracie otvory udržiavať stále v čistote.

Používať len Milwaukee príslušenstvo a Milwaukee náhradné diely. Súčiastky bez návodu na výmenu treba dať vymeniť v jednom z Milwaukee zákaznických centier (viď brožúru Záruka/Adresy zákaznických centier).

V prípade potreby si môžete v servisnom centre pre zákazníkov alebo priamo od firmy Techtronic Industries GmbH, Max-Eyth-Straße 10, 71364 Winnenden, Nemecko, vyžiadať schematický náčrt jednotlivých dielov prístroja pri uvedení typu prístroja a šestmiestneho čísla na výkonnovom štítku.

## SYMBOLY



POZOR! NEBEZPEČENSTVO!



Pred každou prácou na stroji výmenný akumulátor vytiahnuť.



Pred prvým použitím prístroja si pozorne prečítajte návod na obsluhu.



Gombiková batéria sa nesmie prehltnúť!



Pri práci so strojom vždy noste ochranné okuliare



Príslušenstvo - nie je súčasťou štandardnej výbavy, odporúčané doplnenie z programu príslušenstva.



Použitie batérie a odpad z elektrických a elektronických zariadení sa nesmie likvidovať spolu s domovým odpadom. Použitie batérie a odpad z elektrických a elektronických zariadení treba zbierať a likvidovať oddelene.

Pred likvidáciou odstráňte zo zariadení použité batérie, použité akumulátory a osvetľovacie prostriedky. Informujte sa pri miestnych úradoch alebo u vášho odborného predajcu ohľadom recyklačných dvorov a zberných miest.

Podľa miestnych ustanovení môžu maloobchodní predajcovia byť povinní bezplatne zobrať späť použité batérie a odpad z elektrických a elektronických zariadení. Opätovným použitím a recykláciou vašich použitých batérií a vášho odpadu z elektrických a elektronických zariadení prispievate k zníženiu potreby surovín. Použitie batérie (predovšetkým lítium-iónové batérie), odpad z elektrických a elektronických zariadení obsahuje cenné, opätovne použiteľné materiály, ktoré pri ekologickej likvidácii nemôžu mať negatívne účinky na životné prostredie a vaše zdravie.

Pred likvidáciou podľa možnosti vymažte na vašom použítom prístroji existujúce osobné údaje.

$n_0$

Počet zdvihov naprázdno

V

Napätie

—|—|—|

Jednosmerný prúd

CE

Značka zhody v Európe

UK  
CA

Značka shody v Británii

001

Značka zhody na Ukrajine

EAC

Značka zhody pre oblasť Eurázie

DANE TECHNICZNE	PILARKA SZABLASTA AKUMULATOROWA	M18 ONEFSZ
Numer produkcyjny.....	.....	477908 03 ...000001-999999
Maksymalna głębokość cięcia		
Drewno miękkie .....		300 mm
Stal .....		20 mm
Aluminium .....		25 mm
Metale nieżelazne .....		25 mm
Rury metalowe .....		150 mm
Skok bez obciążenia.....		0-3000 min <sup>-1</sup>
Długość skoku .....		32 mm
Napięcie baterii akumulatorewej.....		18 V
Wersja Bluetooth .....		4.2
zakres częstotliwości .....		2400 – 2480 MHz
moc częstotliwości radiowej .....		0 dBm
Cieężar wg procedury EPTA 01/2014 (2,0 Ah - 12,0 Ah).....		3,5 .. 4,6 kg
Zalecana temperatura otoczenia w trakcie pracy .....		-18 ..+50 °C
Zalecane rodzaje akumulatora .....		M18B2... M18HB12
Zalecane ładowarki.....		M12-18 ... ; M1418C6

## Informacja dotycząca szumów/wibracji

Zmierzone wartości wyznaczone zgodnie z normą EN 62841.

Typowy poziom ciśnienia akustycznego mierzony wg krzywej A:

Poziom ciśnienia akustycznego (Niepewność K=3dB(A)).....88,15 dB (A)

Poziom mocy akustycznej (Niepewność K=3dB(A)) .....99,15 dB (A)

## Należy używać ochroniaczy uszu!

Wartości łączne drgań (suma wektorowa trzech kierunków)

wyznaczone zgodnie z normą EN 62841

Piłowanie drewna \*1

Wartość emisji drgań  $a_{h,a}$  .....20,18 m/s<sup>2</sup>

Niepewność K= .....1,5 m/s<sup>2</sup>

Przecinanie belek drewnianych \*2

Wartość emisji drgań  $a_{h,wb}$  .....19,53 m/s<sup>2</sup>

Niepewność K= .....1,5 m/s<sup>2</sup>

\*1 z brzeszczotem piły bimetal, wymiary 150 x 1,25 mm i podziałka piły 5 mm

\*2 z brzeszczotem piły bimetal, wymiary 230 x 1,25 mm i podziałka piły 5 mm

## OSTRZEŻENIE

Poziom drgań i emisji hałasu podany w niniejszej instrukcji zmierzono zgodnie ze standardową metodą badania wg EN 62841 i można ją wykorzystać do porównania narzędzia z innym narzędziem. Można go wykorzystać przy wspólnej ocenie narażenia.

Deklarowany poziom emisji drgań i hałasu reprezentuje główne zastosowania narzędzia. Jeśli jednak narzędzie jest używane do różnych zastosowań, z różnymi akcesoriami lub w przypadku nieprawidłowej konserwacji, emisja drgań i hałasu może się różnić. Może to znacznie zwiększyć poziom narażenia w całym okresie eksploatacji narzędzia.

Oszacowanie poziomu narażenia na wibracje i hałas powinno również uwzględniać czasy, kiedy narzędzie jest wyłączone lub kiedy jest włączone, ale nie pracuje. Może to znacznie obniżyć poziom ekspozycji w całym okresie eksploatacji narzędzia.

Należy zidentyfikować dodatkowe środki bezpieczeństwa w celu ochrony operatora przed skutkami wibracji i/lub hałasu, takie jak: utrzymywanie narzędzia i akcesoriów w nienagannym stanie, utrzymywanie ciepła rąk, organizacja pracy.

**⚠ OSTRZEŻENIE! Należy przeczytać wszystkie wskazówki bezpieczeństwa, instrukcje, opisy i specyfikacje dotyczące tego elektronarzędzia.** Zaniedbania w przestrzeganiu poniższych wskazówek mogą spowodować porażenie prądem, pożar i/lub ciężkie obrażenia ciała.

**⚠ WSKAZÓWKI DOTYCZĄCE BEZPIECZEŃSTWA DLA PIŁ SZABLASTYCH**

**Trzymaj urządzenie za izolowane powierzchnie chwytnie gdy wykonujesz roboty, w trakcie których narzędzie skrawające może natrafić na ukryte przewody prądowe.**

Styczność narzędzia skrawającego z będącym pod napięciem przewodem może spowodować podłączenie części metalowych urządzenia do napięcia i prowadzić do porażenia prądem elektrycznym.

**Użyć śrubowego ścisku stolarskiego lub innego praktycznego przyrządu, aby zamocować obrabiany przedmiot do stabilnej podstawy.** Na skutek trzymania obrabianego przedmiotu w ręce lub dociskania go własnym ciałem obrabiany przedmiot może się wysunąć, co może prowadzić do utraty kontroli nad nim.

## DODATKOWE WSKAZÓWKI BEZPIECZEŃSTWA I INSTRUKCJE ROBOCZE

Stosować wyposażenie ochronne. Przy pracy maszyną zawsze nosić okulary ochronne. Zalecana jest odzież ochronna, jak maska pyłochronna, rękawice ochronne, mocne i chroniące przed poślizgiem obuwie, kask i ochronnik słuchu.

Kurz powstający przy pracy z tym elektronarzędziem może być szkodliwy dla zdrowia, w związku z tym nie powinien dotrzeć do ciała. Nosić odpowiednią maskę przeciwpyłową.

Nie wolno obrabiać materiałów, które mogą być przyczyną zagrożenia zdrowia (na przykład azbestu).

W przypadku zablokowania narzędzia nasazanego należy natychmiast wyłączyć urządzenie! Nie należy ponownie włączać urządzenia tak długo, jak długo narzędzie nasadzone jest zablokowane; przy tym mogłyby powstać odrzut zwrotny o dużym momencie reakcyjnym. Należy wykręcić i usunąć przyczynę zablokowania narzędzia nasazanego uwzględniając wskazówki dotyczące bezpieczeństwa.

Możliwymi przyczynami tego mogą być:

- Skośne ustawienie się w poddawany obróbce przedmiocie obrabianym
- Przerwanie materiału poddawany obróbce
- Przeciążenie narzędzia elektrycznego

Nie należy sięgać do wnętrza maszyny będącej w ruchu.

Narzędzie nasadzane może w trakcie użytkowania stać się gorące.

**OSTRZEŻENIE!** Niebezpieczeństwo oparzenia się

- przy wymianie narzędzia
- przy odstawianiu urządzenia

Podczas pracy elektronarzędzia nie wolno usuwać trocin ani drzazg.

Podczas pracy przy ścianach, sufitach i podłodze należy uważać na kable elektryczne, przewody gazowe i wodociągowe.

Należy zabezpieczyć przedmiot poddawany obróbce za pomocą urządzenia mocującego. Niezabezpieczone przedmioty poddawane obróbce mogą spowodować ciężkie obrażenia ciała i uszkodzenia.

Nie używać pękniętych lub zniekształconych brzeszczotów!

Wykonywanie cięć wgłębnych bez uprzedniego nawiercenia otworu możliwe jest tylko w materiałach miękkich (drewno, lekkie materiały budowlane na ściany). W twardszych materiałach (metalach) należy najpierw wywiercić otwór odpowiadający rozmiarowi brzeszczotu.

Przed przystąpieniem do jakichkolwiek prac na elektronarzędziu należy wyjąć wkładkę akumulatorową.

Zużytych akumulatorów nie wolno wrzucać do ognia ani traktować jako odpadów domowych. Milwaukee oferuje ekologiczną utylizację zużytych akumulatorów.

Nie przechowywać akumulatorów wraz z przedmiotami metalowymi (niebezpieczeństwo zwarcia).

Do ładowarki nie wolno wkładać żadnych przedmiotów metalowych (niebezpieczeństwo zwarcia).

Akumulatory Systemu 18 V należy ładować wyłącznie przy pomocy ładowarek Systemu 18 V. Nie ładować przy pomocy tych ładowarek akumulatorów innych systemów.

Nie otwierać wkładek akumulatorowych i ładowarek. Przechowywać w suchych pomieszczeniach. Chronić przed wilgocią.

W skrajnych warunkach temperaturowych lub przy bardzo dużym obciążeniu może dochodzić do wycieku kwasu akumulatorowego z uszkodzonych baterii akumulatorowych. W przypadku kontaktu z kwasem akumulatorowym należy natychmiast przemyć miejsce kontaktu wodą z mydłem. W przypadku kontaktu z oczami należy dokładnie przepłukiwać oczy przynajmniej przez 10 minut i zwrócić się natychmiast o pomoc medyczną.

**Ostrzeżenie!** Aby uniknąć niebezpieczeństwa pożaru, obrażeń lub uszkodzeń produktu na skutek zwarcia, nie wolno zanurzać narzędzia, akumulatora wymiennego ani ładowarki w cieczach i należy zatroszczyć się o to, aby do urządzeń i akumulatorów nie dostały się żadne cieczce. Zwarcie spowodować mogą korodujące lub przewodzące cieczce, takie jak woda morską, określone chemikalia i wybielacze lub produkty zawierające wybielacze.

**! OSTRZEŻENIE!** Niniejsze urządzenie nie zawiera baterii litowo-guzikowej.

W przypadku poknięcia lub dostania się do ciała nowej lub używanej baterii może dojść do poważnych oparzeń wewnętrznych oraz do śmierci w czasie poniżej 2 godzin. Zawsze należy zabezpieczać pokrywą baterii. Jeśli nie jest bezpiecznie zamknąć, należy wyłączyć urządzenie, wyjąć baterię i trzymać ją z dala od dzieci. Jeśli podejrzewają Państwo poknięcie baterii lub przedostanie się jej do ciała, należy natychmiast skontaktować się z lekarzem w celu uzyskania pomocy.

#### DEKLARACJA ZGODNOŚCI WE

Jako producent oświadczamy na naszą wyłączną odpowiedzialność, że produkt opisany w punkcie „Dane techniczne” jest zgodny ze wszystkimi istotnymi przepisami Dyrektywy 2011/65/EU (RoHS), 2014/30/UE, 2006/42/WE oraz z następującymi zharmonizowanymi dokumentami normatywnymi:

EN 62841-1:2015  
EN 62841-2-11:2016/A1:2020  
EN 55014-1:2017/A11:2020  
EN 55014-2:2015  
EN 62479:2010

EN 300 328 V2.2.2  
EN 301 489-1 V2.2.3  
EN 301 489-17 V3.2.4  
EN IEC 63000:2018

Winnenden, 2021-08-16

Alexander Krug  
Managing Director



Upelnomocniony do zestawienia danych technicznych

Techtronic Industries GmbH  
Max-Eyth-Straße 10  
71364 Winnenden  
Germany

#### WARUNKI UŻYTKOWANIA

Przenośna piła ręczna z napędem elektrycznym do cięcia drewna, tworzyw sztucznych i metalu. Możliwość cięcia po linii krzywej i obcinania równo z powierzoną.

Produkt można użytkować wyłącznie zgodnie z jego normalnym przeznaczeniem.

#### WYBÓR TRYBU PRACY

Przed zmianą trybu pracy należy odczekać do momentu całkowitego zatrzymania się urządzenia. Aby móc dokonać zmiany ustawień, należy nacisnąć przycisk . Nacisnąc przycisk WLAN , aby dokonać zmiany uprzednio nastawionych wartości za pomocą aplikacji ONE-KEY na swym smartfonie.

Automatyczny ogranicznik pily , zatrzymuje piłę posuwisto-zwrotną po całkowitym przepilowaniu materiału.

#### ONE-KEY™

Aby uzyskać więcej informacji o funkcjonalności ONE-KEY tego narzędzia, należy przeczytać załączoną instrukcję szybkiego uruchomienia lub wejść na stronę internetową [www.milwaukeetool.com/one-key](http://www.milwaukeetool.com/one-key). Aplikację ONE-KEY można pobrać na swój smartfon za pośrednictwem App Store lub Google Play.

Jeśli urządzenie zostanie uszkodzone na skutek rozładowań elektrostatycznych, wygaśnię dioda LED wskazująca prędkość, natomiast regulacja prędkości nie będzie już możliwa. W takim wypadku należy wyjąć akumulator wymienny oraz ogniwo guzikowe i włożyć ponownie (patrz strona 6 i strona 16). Usterki spowodowane na skutek rozładowań elektrostatycznych prowadzą również do przerwania komunikacji za pośrednictwem Bluetooth. W takim wypadku należy ponownie nawiązać manualnie połączenie Bluetooth. Wyniki badań spełniają nasze minimalne wymagania zgodnie z normą EN 55014-2 / EN 301489-1 / EN 301489-17.

#### HAMULEC ELEKTRYCZNY

Po zwolnieniu przycisku wyłącznika brzeszczot pily zostanie zatrzymany za pomocą hamulca elektrycznego w przeciągu ok. 2 sekund. Hamulec elektryczny może działać również z pewnym opóźnieniem. Czasami hamulec elektryczny może nie zadziałać. Jeśli hamulec elektryczny nie działa częściej, pilarkę należy przekazać do autoryzowanego serwisu firmy Milwaukee. Pilarkę można wyciągnąć z obrabianego przedmiotu dopiero po zatrzymaniu brzeszczotu.

#### BATERIE AKUMULATOROWE

Akumulatory, które nie były przez dłuższy czas użytkowane, należy przed użyciem naładować.

W temperaturze powyżej 50°C następuje spadek osiągniętych wkładki akumulatorowej. Unikaj długotrwałego wystawienia na oddziaływanie ciepła lub promieni słonecznych (niebezpieczeństwo przegrzania).

Styki ładowarek i wkładek akumulatorowych należy utrzymywać w czystości

W celu zagwarantowania optymalnej żywotności należy po zakończonej eksploatacji naładować akumulatory do pełna.

Dla zapewnienia możliwie długiej żywotności akumulatory należy wyjąć z ładowarki po ich naładowaniu.

W przypadku składowania akumulatorów dłużej aniżeli 30 dni: Przechowywać je w suchym miejscu w temperaturze ok. 27°C. Przechowywać je w stanie naładowanym do ok. 30% - 50%. Ładować je ponownie co 6 miesięcy.

Dla zapewnienia możliwie długiej żywotności akumulatory należy wyjąć z ładowarki po ich naładowaniu.

W przypadku składowania akumulatorów dłużej aniżeli 30 dni: Przechowywać je w suchym miejscu w temperaturze ok. 27°C. Przechowywać je w stanie naładowanym do ok. 30% - 50%. Ładować je ponownie co 6 miesięcy.

#### ZABEZPIECZENIE PRZECIĄŻENIOWE AKUMULATORA

Przy przeciążeniu akumulatora bardzo dużym prądem na przykład wskutek ekstremalnie dużych momentów obrotowych, zakleszczenia, nagłego zatrzymania się lub zwarcia narzędzie elektryczne 'buczy' przez 2 sekundy i samoczynnie wyłącza się. W celu ponownego włączenia należy zwolnić, a następnie ponownie włączyć przycisk wyłącznika. Pod ekstremalnymi obciążeniami może dojść do silnego nagrzania się akumulatora. W takim wypadku akumulator wyłącza się.

#### TRANSPORT AKUMULATORÓW LITOWO-JONOWYCH

Akumulatory litowo-jonowe podlegają ustawowym przepisom dotyczącym transportu towarów niebezpiecznych.

Transport tych akumulatorów winien odbywać się przy przestrzeganiu lokalnych, krajowych i międzynarodowych rozporządzeń i przepisów.

- Odbiorcom nie wolno transportować tych akumulatorów po drogach o tak po prostu.
- Komercyjny transport akumulatorów litowo-jonowych przez przedsiębiorstwa spedycyjne podlega przepisom dotyczącym transportu towarów niebezpiecznych. Przygotowania do wysyłki oraz transport mogą być wykonywane wyłącznie przez odpowiednio przeszkolone osoby. Cały proces winien odbywać się pod fachowym nadzorem.

W czasie transportu akumulatorów należy przestrzegać następujących punktów:

- Celem uniknięcia zwarcia należy upewnić się, że zestyki są zabezpieczone i zaizolowane.
- Zwracać uwagę na to, aby zespół akumulatorów nie mógł się przemieszczać we wnętrzu opakowania.
- Nie wolno transportować akumulatorów uszkodzonych lub z wyciekającym z elektrolitem.

Odnosnie dalszych wskazań należy zwrócić się do swojego przedsiębiorstwa spedycyjnego.

#### UTRZYMANIE I KONSERWACJA

Otwory wentylacyjne elektronarzędzia muszą być zawsze drożne.

Używać tylko i wyłącznie wyposażenia dodatkowego Milwaukee i części zamiennych Milwaukee. Gdyby trzeba było wymienić części, które nie zostały opisane, należy skontaktować się z przedstawicielem serwisu Milwaukee (patrz wykaz adresów punktów usługowych/gwarancyjnych).

W razie potrzeby można zamówić rysunek urządzenia w rozłożeniu na części podając typ maszyny oraz sześciopozycyjny numer na tabliczce znamionowej w Punkcie Obsługi Klienta lub bezpośrednio w firmie Techtronic Industries GmbH, Max-Eyth-Straße 10, 71364 Winnenden, Germany.

#### SYMBOLS



UWAGA! OSTRZEŻENIE NIEBEZPIECZEŃSTWO!



Przed przystąpieniem do jakichkolwiek prac na elektronarzędziu należy wyjąć wkładkę akumulatorową.



Przed uruchomieniem elektronarzędzia zapoznać się uważnie z treścią instrukcji.



Nie należy polykać baterii guzikowych!



Podczas pracy należy zawsze nosić okulary ochronne.



Wyposażenie dodatkowe dostępne osobno.



Zużyte baterie oraz zużyty sprzęt elektryczny i elektroniczny nie może być usuwany razem z odpadami pochodzącymi z gospodarstw domowych. Zużyte baterie oraz zużyty sprzęt elektryczny i elektroniczny należy gromadzić i usuwać oddzielnie.

Przed utylizacją należy usunąć z urządzeń zużyte baterie, zużyte akumulatory oraz źródła światła. Proszę zasięgnąć informacji o centrach recyklingowych i punktach zbiorczych u władz lokalnych lub u wyspecjalizowanego dostawcy. W zależności od lokalnych przepisów, sprzedawcy detaliczni mogą być zobowiązani do bezpłatnego odbioru zużytego sprzętu elektrycznego i elektronicznego. Poprzez ponowne wykorzystanie i recykling zużytych baterii oraz zużytego sprzętu elektrycznego i elektronicznego pomagamy zmniejszać zapotrzebowanie na surowce.

Zużyte baterie (zwłaszcza baterie litowo-jonowe) oraz zużyty sprzęt elektryczny i elektroniczny zawierają cenne materiały nadające się do recyklingu, które mogą mieć negatywny wpływ na środowisko naturalne i zdrowie użytkownika, jeśli nie zostaną utylizowane w sposób przyjazny dla środowiska. Przed utylizacją zużytego sprzętu należy usunąć wszelkie zamieszczone na nim dane osobowe.



Skok bez obciążenia



Napięcie



Prąd stały



Europejski Certyfikat Zgodności



Brytyjski Certyfikat Zgodności



Ukraiński Certyfikat Zgodności

Euroazjatycki Certyfikat Zgodności

MŰSZAKI ADATOK	AKKUMULÁTOROS SZABLYAFŰRÉSZ	M18 ONEFSZ
Gyártási szám.....	.....477908 03	.....000001-999999
Vágásmélység max.:		
Puhafa.....	.....300 mm	
Acél.....	.....20 mm	
Alumínium.....	.....25 mm	
Szinesfém.....	.....25 mm	
Fém csövek.....	.....150 mm	
Üresjáratú löketség.....	.....0-3000 min <sup>-1</sup>	
Lökethossz.....	.....32 mm	
Akkumulátor feszültség.....	.....18 V	
Bluetooth-verzió.....	.....4.2	
Frekvenciasáv.....	.....2400 – 2480 MHz	
Jelerősség.....	.....0 dBm	
Súly a 01/2014 EPTA-eljárás szerint. (2,0 Ah - 12,0 Ah).....	.....3,5 ... 4,6 kg	
Ajánlott környezeti hőmérséklet munkavégzésnél.....	.....-18...+50 °C	
Ajánlott akkupusok.....	.....M18B2... M18HB12	
Ajánlott töltőkészülékek.....	.....M12-18... ; M1418C6	

#### Zaj-/Vibráció-információ

A közötti értékek megfelelnek az EN 62841 szabványnak.

Szabvány szerinti A-értékelésű hangszint:

Hangnyomás szint (K bizonytalanság=3dB(A)).....	.....88,15 dB (A)
Hangteljesítmény szint (K bizonytalanság=3dB(A)).....	.....99,15 dB (A)

#### Hallásvédő eszköz használata ajánlott!

Összesített rezgésértékek (három irány vektorális összege) az EN 62841-nak megfelelően meghatározva.

Fa fűrészelése *1	
a <sub>h,s</sub> rezgésemisszió érték.....	.....20,18 m/s <sup>2</sup>
K bizonytalanság =.....	.....1,5 m/s <sup>2</sup>
Fagerendák fűrészelése *2	
a <sub>h,wb</sub> rezgésemisszió érték.....	.....19,53 m/s <sup>2</sup>
K bizonytalanság =.....	.....1,5 m/s <sup>2</sup>

\*1 bimetal fűrészlappal, méret: 150 x 1,25 mm és 5 mm-es fogosztás

\*2 bimetal fűrészlappal, méret: 230 x 1,25 mm és 5 mm-es fogosztás

#### FIGYELMEZTETÉS

Az adatlapon feltüntetett rezgés- és zajkibocsátási szint mérésére az EN 62841 szabványos vizsgálati módszere alapján került sor, és a kapott értékek az egyes szerszámok összehasonlítására használhatók. Az értékek az expozíció előzetes értékelésében használhatók.

A feltüntetett rezgés- és zajkibocsátási szint a szerszám főbb alkalmazásait tükrözi. Mindazonáltal, ha a szerszámot különböző alkalmazásokra, eltérő tartozékokkal használják, illetve a szerszám nincsen megfelelően karbantartva, a rezgés- és zajkibocsátási szint eltérő lehet. Ez jelentősen növelheti az expozíciós szintet a teljes munkafolyamat során.

A rezgésnek és zajnak való expozíció becslést szintjét is figyelembe kell venni a szerszám kikapcsolásakor, illetve olyankor, ha a szerszám üzemel, de valójában nem történik vele munkavégzés. Ez jelentősen csökkentheti az expozíciós szintet a teljes munkafolyamat során.

Határozzon meg további biztonsági intézkedéseket, hogy védje a kezelőt a rezgés- és/vagy zajhatásoktól. Ilyen intézkedések pl.: a szerszámok és tartozékok karbantartása, a kéz melegen tartása, munkarend-szervezés.

**FIGYELMEZTETÉS!** Olvassa el az elektromos kéziszerszámra vonatkozó összes biztonsági útmutatást, utasítást, ábrát és specifikációt. A következőkben leírt utasítások betartásának elmulasztása áramütésekhez, tűzhöz és/vagy súlyos testi sérülésekhez vezethet.

#### ORRFŰRÉSZEKRE VONATKOZÓ BIZTONSÁGI ÚTMUTATÁSOK

A készüléket a szigetelt markolatfelületeket fogva tartsa, ha olyan munkálatokat végez, melyeknél a vágószerszám rejtett elektromos vezetékbe. A vágószerszám feszültségvezető vezetékkel való érintkezésekor a készülék fém részei is feszültség alá kerülhetnek, és elektromos áramütés következhet be.

A munkadarab stabil aljzathoz rögzítéséhez használjon csavaros szorítókat vagy más praktikus segédesszközöket. A munkadarab kézzel történő megtartásával vagy testtel történő ellentartása következtében a munkadarab elcsúszhat, és ez a kontroll elvesztéséhez vezethet.

#### TOVÁBBI BIZTONSÁGI ÉS MUNKAVÉGZÉSI UTASÍTÁSOK

Használjon védőfelszerelést! Ha a gépen dolgozik, mindig hordjon védőeseműveget! Javasoljuk a védőruházat, úgymint porvédő maszk, védőcipő, erős és csúszásbiztos lábbeli, sisak és hallásvédő használatát.

A munka során keletkező por gyakran egészségre káros, ezért ne kerüljön a szervezetbe  
Hordjon e célra alkalmas porvédőmaszkot.

Nem szabad olyan anyagokat megmunkálni, amelyek egészségre veszélyesek (pl. azbesztest).

A betétszerszám elakadásakor azonnal ki kell kapcsolni a készüléket! Addig ne kapcsolja vissza a készüléket, amíg a betétszerszám elakadása fennáll; ennek során nagy ellennyomatékú visszarúgás történhet. Határozza és szüntesse meg a betétszerszám elakadásának okát a biztonsági útmutatások betartása mellett.

Ennek következők lehetnek az okai:

- a szerszám elakad a megmunkálendő munkadarabban
- a megmunkálendő anyag átszakadt
- az elektromos szerszám túlterhelése

Ne nyúljon a járó géphez.

A betétszerszám az alkalmazás során felforrósodhat.

**FIGYELMEZTETÉS!** Égési sérülések veszélye

- szerszámcserkor
- a készülék lerakásakor

A munka közben keletkezett forgácsokat, szilánkokat, törmelékét, stb. csak a készülék teljes leállása után szabad a munkaterületről eltávolítani.

Falban, földemben, aljzatban történő fúrásnál fokozottan ügyelni kell az elektromos-, víz- és gázvezetésekre.

Biztosítsa a munkadarabot befogó szerkezettel. A nem biztosított munkadarabok súlyos sérüléseket és károkat okozhatnak.

Tilos repedt vagy deformált fűrészlapot használni!

Űn. süllyesztő vágás készítése csak puha anyagba (pl. fa, könnyű falazóanyagok). Kemény anyagok esetében (fémek) egy, a fűrészlap méretének megfelelő furatot kell készíteni.

Karbantartás, javítás, tisztítás, stb. előtt az akkumulátort ki kell venni a készülékből.

A használt akkumulátort ne dobja tűzbe vagy a háztartási szemétebe. Tájékoztódjon a szakszerű megsemmisítés helyi lehetőségeiről.

Az akkumulátort ne tárolja együtt fém tárgyakkal. (Rövidzárlat veszélye).

Ügyeljen arra, hogy a töltő aknájába ne kerüljön semmilyen fém tárgy, mert ez rövidzárlatot okozhat.

Az "18 V" elnevezésű rendszerhez tartozó akkumulátorokat kizárólag a rendszerhez tartozó töltővel töltsse fel. Ne használjon más rendszerbe tartozó töltőt.

Az akkumulátort, töltőt nem szabad megbontani és kizárólag száraz helyen szabad tárolni. Nedvességtől óvni kell.

Akkumulátor sav folyhat a sérült akkumulátorból extrém terhelés alatt, vagy extrém hő miatt. Ha az akkumulátor sav a bőrére kerül azonnal mossa meg szappanos vízzel. Szembe kerülés esetén folyóvíz alatt tartsa a szemét minimum 10 percig és azonnal forduljon orvoshoz.

**Figyelmeztetés!** A rövidzárlat általi tűz, sérülések vagy termékárosodások veszélye elkerülésére ne merítse a szerszámot, a cserélhető akkut vagy a töltőkészüléket folyadékokba, és gondoskodjon arról, hogy ne hatoljanak folyadékok a készülékekbe és az akkukba. A korrozív hatású vagy vezetőképes folyadékok, mint pl. a sós víz, bizonyos vegyi anyagok, fehérítők vagy fehérítő tartalmú termékek, rövidzárlatot okozhatnak.

**FIGYELMEZTETÉS!** Ez az eszköz egy Lithium-gombelemet tartalmaz.

Egy új, vagy használt elem súlyos belső égéseket okozhat, és kevesebb, mint 2 óra alatt halhoz vezethet, ha lenyelik, vagy másként a testbe jut. Az elemtartó tetejét mindig biztosítsa.

Ha nem zár biztonságosan, kapcsolja ki a készüléket, távolítsa el az elemet, és tartsa távol gyerekektől.

Ha úgy gondolja, hogy az elemet lenyelték, vagy másként a testbe jutott, azonnal forduljon orvoshoz.

#### EK-MEGFELELŐSÉGI NYILATKOZAT

Gyártóként egyedüli felelősséggel kijelentjük, hogy a „Műszaki Adatok” alatt leírt termék a 2011/65/EK (RoHS), 2014/30/EU, 2006/42/EK irányelvek minden releváns előírásának, ill. az alábbi harmonizált normatív dokumentumoknak megfelel:

EN 62841-1:2015  
EN 62841-2-11:2016/A1:2020  
EN 55014-1:2017/A11:2020  
EN 55014-2:2015  
EN 62479:2010  
EN 300 328 V2.2.2  
EN 301 489-1 V2.2.3  
EN 301 489-17 V3.2.4  
EN IEC 63000:2018

Winnenden, 2021-08-16



Alexander Krug  
Managing Director



Műszaki dokumentáció összeállításra felhatalmazva

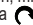

Technic Industries GmbH  
Max-Eyth-Straße 10  
71364 Winnenden  
Germany

#### RENDELTELTÉSSZERŰ HASZNÁLAT

Az orrfűrész fa, műanyag és fém fűrészeléséhez használható. Egyenes, kanyar és belső kivágások készítésére alkalmas. A fűrészsel csöveket lehet elvágni, illetve a felülétsik darabolást lehet végezni.

A készüléket kizárólag az alábbiakban leírtaknak megfelelően szabad használni.

#### ÜZEMMÓD VÁLASZTÁSA

Az üzemmód megváltoztatása előtt várjon, míg a készülék teljesen leáll. A beállítások módosításához nyomja meg a  gombot. Nyomja meg a  WLAN gombot, hogy az előre beállított értékeket a ONE-KEW alkalmazáson keresztül okostelefonján módosítsa.

Automata fűrésztűköző : leállítja a forgácsoló fűrész, miután az anyag teljesen átfűrészelt.

#### ONE-KEY™

Ha többet kíván tudni a szerszám ONE-KEY funkcionalitásáról, olvassa el a mellékelt gyorsindítási útmutatót, vagy keressen fel bennünket az interneten a [www.milwaukeeool.com/one-key](http://www.milwaukeeool.com/one-key) címen. A ONE-KEY alkalmazás letölthető okostelefonjára az App Store-ból vagy a Google Play áruházból.

Ha a készüléket elektrosztatikus kislések zavarják, a LED-es sebességjelző kikapcsol és a sebesség nem szabályozható a továbbiakban. Ebben az esetben távolítsa el a cserélhető akkumulátort és a gombelmelet, majd helyezze vissza őket (lásd 6. és 16. oldal). Az elektrosztatikus kislések által okozott zavarok a Bluetooth-kommunikáció megszakadását is eredményezik. Ebben az esetben manuálisan kell a Bluetooth-kapcsolatot ismét helyreállítani. A vizsgálati eredmények megfelelnek minimális követelményeinknek az EN 55014-2 / EN 301489-1 / EN 301489-17 szerint.

#### ELEKTROMOS FÉK

A kapcsológomb elengedésekor az elektromos fék kb. 2 másodpercen belül leállítja a fűrészlapot. Azonban az elektromos fék hatása késleltetett is lehet. Az elektromos fék alkalmazatán nem hatásos. Amennyiben az elektromos fék gyakrabban nem működik, akkor a fűrészst arra felhatalmazott Milwaukee szervizbe kell szállítani. A fűrészst csak a fűrészlap leállása után húzza ki a munkadarabból.

#### AKKUK

A hosszabb ideig üzem kívül lévő akkumulátort használat előtt ismételtelen fel kell tölteni.

50°C feletti hőmérsékletnél csökkenhet az akkumulátor teljesítménye. Kerülni kell a túlzottan meleg helyen vagy napon történő hosszabb idejű tárolást.

A töltő és az akkumulátor csatlakozóit mindig tisztán kell tartani.

Az optimális élettartam érdekében használat után az akkukat teljesen fel kell tölteni.

A lehetőleg hosszú élettartamhoz az akkukat feltöltés után ki kell venni a töltőkészülékből.

Az akku 30 napot meghaladó tárolása esetén:  
Az akkut kb. 27 °C-on, száraz helyen kell tárolni.  
Az akkut kb. 30-50%-os töltöttségi állapotban kell tárolni.  
Az akkut 6 havonta újra fel kell tölteni.

#### AZ AKKUMULÁTOR TÚLTERHELÉS ELLENI VÉDELME

Az akku túl magas áramfogyasztás miatti, pl. túl nagy forgatónyomatékok, megszorulása, hirtelen leállás következtében fellépő túlterhelése esetén az elektromos szerszám 2 másodpercig zűg, és önműködően lekapcsol. Az újbóli bekapcsoláshoz el kell engedni a kapcsolóbillentyűt, majd ismét

be kell kapcsolni.  
Extrém mértékű terhelés esetén az akku erősen felforrósodhat. Ebben az esetben az akku lekapcsol.

## LÍTIUM-ION AKKUK SZÁLLÍTÁSA

A lítium-ion akkuk a veszélyes áruk szállítására vonatkozó törvényi rendelkezések hatálya alá tartoznak.

Az ilyen akkuk szállításának a helyi, országos és nemzetközi előírások és rendelkezések betartása mellett kell történnie.

- A fogyasztók minden további nélkül szállíthatják az ilyen akkukat közúton.
- A lítium-ion akkuk szállítmányozási vállalatok általi kereskedelmi célú szállítására a veszélyes áruk szállítására vonatkozó rendelkezések érvényesek. A kiszállítás előkészítését és a szállítást kizárólag megfelelő képzettségű személyek végezhetik. A teljes folyamatnak szakmai felügyelet alatt kell történnie.

A következő pontokat kell figyelembe venni akkuk szállításakor:

- Biztosítsa, hogy a rövidzárlatok elkerülése érdekében az érintkezők védve és szigetelve legyenek.
- Ügyeljen arra, hogy az akkucsomag ne tudjon elcsúszni a csomagoláson belül.
- Tilos sérült vagy kifolyt akkukat szállítani.

További útmutatásokért forduljon szállítványozási vállalatához.

## KARBANTARTÁS

A készülék szellőzőnyílásait mindig tisztán kell tartani.

Csak Milwaukee tartozékokat és Milwaukee pótalkatrészeket szabad használni. Az olyan elemeket, melyek cseréje nincs ismertette, cseréltesse ki Milwaukee szervizzel (lásd Garancia/Ügyfélszolgálat címei kiadványt).

Igény esetén a készülékről robbantott rajz kérhető a géptípus és a teljesítménycímként található hatjegyű szám megadásával az Ön vevőszolgálatánál, vagy közvetlenül a Techtronic Industries GmbH-től a Max-Eyth-Straße 10, 71364 Winnenden, Németország címen.

## SZIMBÓLUMOK



FIGYELEM! FIGYELMEZTETÉS! VESZÉLY!



Karbantartás, javítás, tisztítás, stb. előtt az akkumulátort ki kell venni a készülékből.



Kérjük alaposan olvassa el a tájékoztatót mielőtt a gépet használja.



A gombelmelet ne nyelje le!



Munkavégzés közben ajánlatos védőszemüveget viselni.



Azokat a tartozékokat, amelyek gyárilag nincsenek a készülékhez mellékelve, külön lehet megrendelni.



A hulladékelemeket, az elektromos és elektronikus berendezések hulladékait nem szabad a háztartási hulladékkal együtt ártalmatlanítani. A hulladékelemeket, az elektromos és elektronikus berendezések hulladékait elkülönítve kell gyűjteni és ártalmatlanítani. Az ártalmatlanítás előtt távolítsa el a hulladékelemeket, a hulladékkumulátorokat és az izzókat a berendezésekből.

A helyi hatóságoknál vagy szakkereskedőjénél tájékozódjon a hulladékudvarokról és gyűjtőhelyekről.

A helyi rendelkezésektől függően a kiskereskedők kötelesek lehetnek a hulladékelemeket, az elektromos és elektronikus berendezések hulladékait ingyenesen visszavenni.

A hulladékelemek, az elektromos és elektronikus berendezések hulladékainak újrahasználatával és újrahasznosításával járuljon hozzá a nyersanyagszükséglet csökkentéséhez.

A hulladékelemek (mindenekelőtt a lítium-ion elemek), az elektromos és elektronikus berendezések hulladékai értékes újrahasznosítható anyagokat tartalmaznak, melyek környezetvédelmi szempontból nem megfelelő ártalmatlanítás esetén negatív hatással lehetnek a környezetre és az Ön egészségére.

Ártalmatlanítás előtt törölje a használt készüléken lévő lehetséges személyes adatokat.

Üresjárati löketség

Feszültség

Egyenáram

Európai megfelelőségi jelölés

Egyesült királyságbeli megfelelőségi jelölés

Ukrán megfelelőségi jelölés

Eurázsiai megfelelőségi jelölés

## TEHNIČNI PODATKI

## BATERIJSKE ŽAGE LISIČJI REP

## M18 ONEFSZ

Proizvodna številka.....	477908 03
	...000001-999999
Globina reza maks. v:	
Mehki les.....	300 mm
Jeklo.....	20 mm
Aluminij.....	25 mm
Barvna kovina.....	25 mm
Kovinska cev.....	150 mm
Številno dvigov v prostem teku.....	0-3000 min <sup>-1</sup>
Višina dviga.....	32 mm
Napetost izmenilivega akumulatorja.....	18 V
Bluetooth-verzija.....	4.2
Frekvenčni pas.....	2400 – 2480 MHz
Radijsko frekvenca.....	0 dBm
Teža po EPTA-proceduri 01/2014 (2,0 Ah - 12,0 Ah).....	3,5 ... 4,6 kg
Priporočena temperatura okolice pri delu.....	-18 ... +50 °C
Priporočene vrste akumulatorskih baterij.....	M18B2... M18HB12
Priporočeni polnilniki.....	M12-18 ... ; M1418C6

## Informacije o hrupnosti/vibracijah

Vrednosti merjenja ugotovljene ustrezno z EN 62841.

A ocenjeni nivo zvočnega tlaka znaša tipično

Nivo zvočnega tlaka (Nevarnost K=3dB(A)).....88,15 dB (A)

Višina zvočnega tlaka (Nevarnost K=3dB(A)).....99,15 dB (A)

## Nosite zaščito za sluh!

Skupna vibracijska vrednost (Vektorska vsota treh smeri) določena ustrezno EN 62841.

Žaganje lesa \*1

Vibracijska vrednost emisij a<sub>h,B</sub>.....20,18 m/s<sup>2</sup>

Nevarnost K=.....1,5 m/s<sup>2</sup>

Žaganje lesenih tramov \*2

Vibracijska vrednost emisij a<sub>h,WB</sub>.....19,53 m/s<sup>2</sup>

Nevarnost K=.....1,5 m/s<sup>2</sup>

\*1 z žaginim listom bimetal, velikost 150 x 1,25 mm ter razporeditvijo zob 5 mm

\*2 z žaginim listom bimetal, velikost 230 x 1,25 mm ter razporeditvijo zob 5 mm

## OPOZORILO

Raven vibracij in hrupa, navedena v tem informativnem listu, je bila izmerjena v skladu s standardiziranim preskusom iz EN 62841 in jo je mogoče uporabljati za primerjavo orodij med seboj. Mogoče jo je tudi uporabiti za predhodno oceno izpostavljenosti.

Navedena raven vibracij in hrupa predstavlja glavno uporabo orodja. Če pa se orodje uporablja za različne namene, z različnimi dodatki ali slabo vzdrževano, se lahko vibracije in hrup razlikujejo. To lahko znatno poveča raven izpostavljenosti v celotnem delovnem obdobju.

Pri oceni ravni izpostavljenosti vibracijam in hrupu je treba upoštevati tudi čas, ko je orodje izklopjeno ali ko teče, vendar dejansko ne opravlja dela. To lahko bistveno zmanjša raven izpostavljenosti v celotnem delovnem obdobju.

Ugotovite dodatne varnostne ukrepe za zaščito upravljavca pred učinki vibracij in/ali hrupa, kot so: vzdrževanje orodja in dodatkov, tople roke, organizacija delovnih vzorcev.

**⚠ OPOZORILO! Preberite vsa varnostna opozorila in navodila, prikaze in specifikacije tega električnega orodja.** Zakasnelo upoštevanje sledečih navodil lahko povzroči električni udar, požar in/ali težke poškodbe.

## ⚠ VARNOSTNA OPOZORILO ZA SABLJASTE ŽAGE

Kadar izvajate dela pri katerih lahko orodje zadane prikrito električno napeljavo, je napravo potrebno držati za izolirane prijemalne površine.

Stik rezalne orodja z napetostnim vodnikom napeljave lahko privede kovinske dele naprave pod napetost in vodi do električnega udara.

Za pritrditev obdelovanca na stabilno podlago uporabite primež ali druge praktične pripomočke. Pri držanju obdelovanca v roki ali pri pritiskanju s telesom ob obdelovanec, lahko le ta zdrsne, kar lahko privede do izgube nadzora.

## NADALJNA VARNOSTNA IN DELOVNA OPOZORILO

Uporabite zaščitno opremo. Pri delu s strojem vedno nosite zaščitna očala. Priporočajo se zaščitka oblačila, kot npr. maska za zaščito proti prahu, zaščitne rokavice, trdno in nedrseče obuvalo, čelada in zaščita za sluh.

Prah, ki nastaja pri delu, je pogosto zdravju škodljiv in naj ne zaide v telo. Nosite ustrezno masko proti prahu.

Obdelava materialov, iz katerih izhaja ogroženost zdravja (npr. azbest), ni dovoljena.

V primeru blokade orodja napravo takoj izklopite! Naprave ponovno ne vklaplajte dokler je orodje blokirano; pri tem bi lahko prišlo do povratnega udara z velikim reakcijskim momentom. Ugotovite in odpravite vzroke blokade orodja ob upoštevanju varnostnih navodil.

Možni razlogi so lahko:

- Zagozditev v obdelovancu
- prežganje obdelovanega materiala
- Preobremenitev električnega orodja

Ne segajte v stroj v teku.

Orodje lahko med uporabo postane vroče.

**OPOZORILO!** Nevarnost opeklin

- pri menjavi orodja
- pri odlaganju naprave

Trske ali iveri se pri tekočem stroju ne smejo odstranjevati.

Pri delih na steni, stropu ali v tleh pazite na električne kable, plinske in vodne napeljave.

Obdelovanec zavarujte z vpenjalno pripravo. Nezavarovani obdelovanci lahko povzročijo težke poškodbe in okvare.

Napokani listi žage in taki, ki so spremenili svojo obliko, se ne smejo uporabljati!

Potopno žaganje je možno samo v mehkih materialih (les, lahki gradbeni material za stene), pri trših materialih (kovine) se mora pripraviti vrtna, ki odgovarja listu žage.

Pred vsemi deli na stroji odstranite izmenljivi akumulator.

Izrabljenih izmenljivih akumulatorjev ne mečite v ogenj ali v gospodinjstva odpadke. Milwaukee nudi okolju prijazno odlaganje starih izmenljivih akumulatorjev; prosimo povprašajte vašega strokovnega trgovca.

Izmenljivih akumulatorjev ne hranite skupaj s kovinskimi predmeti (nevarnost kratkega stika).

V odprtino za nameščanje izmenljivih akumulatorjev na polnilnih aparatih ne smejo zaiti nikakršni kovinski deli (nevarnost kratkega stika).

Izmenljive akumulatorje sistema 18 V polnite samo s polnilnimi aparati sistema 18 V. Ne polnite nobenih akumulatorjev iz drugih sistemov.

Izmenljivih akumulatorjev in polnilnih aparatov ne odpirajte in jih hranite samo v suhih prostorih. Zaščitite jih pred mokroto.

Pod ekstremno obremenitvijo ali ob ekstremni temperaturi iz poškodovanega izmenljivega akumulatorja lahko izteka akumulatorska tekočina. Po stiku z akumulatorsko tekočino prizadeto mesto takoj izperite z vodo in milom. Po stiku z očmi takoj najmanj 10 minut dolgo temeljito izpirajte in nemudoma obiščite zdravnika.

**Opozorilo!** V izogib, s kratkim stikom povzročene nevarnosti požara, poškodb ali okvar na proizvodni, orodja, izmenljivega akumulatorja ali polnilne naprave ne potaplajte v tekočine in poskrbite, da ne bo prihajalo do vdora tekočin v naprave in akumulatorje. Korozivne ali prevodne tekočine, kot so slana voda, določene kemikalije in belila ali proizvodi, ki le ta vsebujejo, lahko povzročijo kratek stik.

**OPAZORIL!** Ta naprava vsebuje litijev gumbno baterijo. Nova ali rabljena baterija lahko povzroči težke notranje opekline in v manj kot 2 urah privede do smrti, v kolikor se zaužije ali zaide v telo. z<mera j zavarujepokrov odprtine za baterije.

V kolikor varno ne zapira, izklopite napravo, odstranite baterijo in jo shranite izven dosega otrok.

Če mislite, da so se baterije zaužile ali so zašle v telo, takoj poiščite zdravniško pomoč.

## ES-IZJAVA O SKLADNOSTI

Kot proizvajalec izjavljamo na svojo izključno odgovornost, da je izdelek, opisan pod »Tehnični podatki«, v skladu z vsemi ustreznimi predpisi direktiv 2011/65/EU (RoHS), 2014/30/EU, 2006/42/EG in naslednjimi usklajenimi normativnimi dokumenti:

EN 62841-1:2015  
EN 62841-2-11:2016/A1:2020  
EN 55014-1:2017/A11:2020  
EN 55014-2:2015  
EN 62479:2010  
EN 300 328 V2.2.2  
EN 301 489-1 V2.2.3  
EN 301 489-17 V3.2.4  
EN IEC 63000:2018

Winnenden, 2021-08-16

Alexander Krug  
Managing Director



Pooblaščen za izdelavo spisov tehnične dokumentacije.

Techtronic Industries GmbH  
Max-Eyth-Straße 10  
71364 Winnenden  
Germany

## UPORABA V SKLADU Z NAMEDBNOSTJO

Sabljava žaga žaga les, umetno maso in kovino. Reže naravnost, zajere in notranje izreze. Žaga cevi in ločuje s ploskim robom.

Ta naprava se sme uporabiti samo v skladu z namembnostjo uporabiti samo za navede namene.

## IZBIRA OBRATOVALNEGA NAČINA

Pred spremembo obratovalnega načina počakajte, dokler stroj ne bo v popolnem mirovanju. Za spremembo nastavitve, pritisnite tipko . Pritisnite WLAN-tipko , da boste prednastavljene vrednosti lahko spreminjali z ONE-KEY App na vašem pametnem telefonu.

Samodejna zaustavitev žage : ustavi batno žago, ko je material popolnoma razžagan.

## ONE-KEY™

Da boste o ONE-KEY funkcionalnosti tega orodja izvedeli več, preberite priložena navodila za hiter začetek ali pa nas obiščite na internetu pod [www.milwaukeeool.com/one-key](http://www.milwaukeeool.com/one-key). ONE-KEY App lahko naložite na vaš pametni telefon preko App Store ali Google Play.

Kadar je naprava vsled elektrostatične razelektritve motena, se LED prikazovalnik hitrosti izklopi in hitrosti ni več mogoče regulirati. V tem primeru nadomestni akumulator in gumbno baterijo odstranimo in ponovno uporabimo (glej stran 6 in stran 16).

Vsled elektrostatičnih razelektritev povzročene motnje privedejo tudi do prekinitve Bluetooth komunikacije. V tem primeru je Bluetooth povezavo potrebno znova vzpostaviti manualno.

Preizkusni izidi izpolnjujejo naše minimalne zahteve ustrezno EN 55014-2 / EN 301489-1 / EN 301489-17.

## ELEKTRIČNA ZAVORA

Pri izpustu pritisnega stikala se žagin list v ca. 2 sekundah s pomočjo električne zavore ustavi. Vendar lahko zavora učinkuje tudi zakasnjeno. Električna zavora včasih ni učinkovita. V kolikor električna zavora pogosteje ne bi učinkovala, je žago potrebno odnesti v avtoriziran Milwaukee servis. Žago izvlečemo iz obdelovanca šele po zaustavitvi žaginega lista.

## AKUMULATORJI

Izmenljive akumulatorje, ki jih daljši čas niste uporabljali, pred uporabo naknadno napolnite.

Temperatura nad 50°C zmanjšuje zmogljivost izmenljivega akumulatorja. Izogibajte se daljšemu segrevanju zaradi sončnih žarkov ali gretja.

Pazite, da ostanejo priključni kontakti na polnilnem aparatu in izmenljivem akumulatorju čisti.

Za optimalno življenjsko dobo je akumulatorje potrebno po uporabi napolniti do konca.

Za čim daljšo življenjsko dobo naj se akumulatorji po napolnitvi vzamejo ven iz naprave za polnjenje.

Pri skladiščenju akumulatorjev dalj kot 30 dni:

Akumulator skladiščiti pri 27°C in na suhem.

Akumulator skladiščiti pri 30%-50% stanja polnjenja.

Akumulator spet napolniti vsakih 6 mesecev.

## ZAŠČITA PREOBREMITVE AKUMULATORJA

V primeru preobremenitve akumulatorjev zaradi zelo visoke porabe toka, npr. ekstremno visokih vrtilnih momentov, zatika, nenadne zaustavitve ali kratkega stika, električno orodje 2 sekundi brni in se samodejno izklopi. Za ponoven vklop izpustite tipko stikala in nato znova vklopite. Pod ekstremnimi obremenitvami se lahko akumulator močno segreje. V tem primeru se akumulator izklopi.

## TRANSPORT LITIJ-IONSКИH AKUMULATORJEV

Litij-ionski akumulatorji so podvrženi zakonskim določbam transporta nevarnih snovi.

Transport teh akumulatorjev se mora izvajati upoštevajoč lokalne, nacionalne in mednarodne predpise in določbe.

- Potrošniki lahko te akumulatorje še nadalje transportirajo po cesti.
- Komercialni transport litij-ionskih akumulatorjev s strani špediterskih podjetij je podvržen določbam transporta nevarnih snovi. Priprava odpreme in transporta se lahko vrši izključno s strani ustrezno izšolanih oseb. Celoten proces je potrebno strokovno spremljati.

Pri transportu akumulatorjev je potrebno upoštevati sledeče točke:

- V izogib kratkim stikom zagotovite, da bodo kontakti zaščiteni in izolirani.
- Bodite pozorni na to, da paket akumulatorja v notranjosti embalaže ne bo mogel zdrsniti.
- Poškodovanih ali iztekajočih akumulatorjev ni dovoljeno transportirati.

Za nadaljnja navodila se obrnite na vaše špeditersko podjetje.

## VZDRŽEVANJE

Pazite na to, da so prezračevalne reže stroja vedno čiste.

Uporabljajte samo Milwaukee pribor in Milwaukee nadomestne dele. Poskrbite, da sestavne dele, katerih zamenjava ni opisana, zamenjajo v Milwaukee servisni službi (upoštevajte brošuro Garancija/Naslovi servisnih služb).

Po potrebi je mogoče pri vašem servisnem mestu ali neposredno pri Techtronic Industries GmbH, Max-Eyth-Straße 10, 71364 Winnenden, Germany, naročiti eksplozijsko rrisbo naprave ob navedbi tipa stroja in na tablici navedene šestmestne številke.

## SIMBOLI



POZOR! OPOZORILO! NEVARNO!



Pred vsemi deli na stroji odstranite izmenljivi akumulator.



Prosimo, da pred uporabo pozorno preberete to navodilo za uporabo.



Gumbne baterije ne zaužijte!



Pri delu s strojem vedno nosite zaščitna očala.



Oprema – ni vsebovana v obsegu dobave, priporočeno dopolnilo iz programa opreme.



Odpadnih baterij, odpadne električne in elektronske opreme ne odstranjujte kot nesortirani komunalni odpadki. Odpadne baterije ter odpadno električno in elektronsko opremo je treba zbirati ločeno. Odpadne baterije, odpadne akumulatorje in svetlobne vire je treba odstraniti iz opreme. Za nasvet glede recikliranja in zbirnih mest se obrnite na lokalno oblast ali trgovca.

V skladu z lokalnimi predpisi so lahko trgovci na drobno obvezani, da morajo brezplačno vzeti nazaj odpadne baterije ter odpadno električno in elektronsko opremo. Vaš prispevek k ponovni uporabi in recikliranju odpadnih baterij ter odpadne električne in elektronske opreme pomaga pri zmanjševanju povpraševanja po surovinah. Odpadne baterije, še posebej tiste, ki vsebujejo litij, ter odpadna električna in elektronska oprema vsebujejo dragocene materiale, primerne za recikliranje, ki imajo lahko, če niso odstranjeni na okolju prijazen način, škodljive posledice za okolje in zdravje ljudi. Z odpadne opreme izbršite osebne podatke, če obstajajo.

n<sub>0</sub>

Število dvigov v prostem teku

V

Napetost



Enosmerni tok

Evropska oznaka za združljivost

Britanska oznaka za združljivost

Ukrajinska oznaka za združljivost

Evrazijska oznaka za združljivost

TEHNIČKI PODACI	SABLJASTA PILA SA AKUMULATOROM	M18 ONEFSZ
Broj proizvodnje.....	.....477908 03	.....000001-999999
Dubina rezanja max. u:		
Mekano drvo.....	.....300 mm	
Čelik.....	.....20 mm	
Aluminij.....	.....25 mm	
Obojeni metal.....	.....25 mm	
Metalne cijevi.....	.....150 mm	
Broj hodova praznog hoda.....	.....0-3000 min <sup>-1</sup>	
Visina hoda.....	.....32 mm	
Napon baterije za zamjenu.....	.....18 V	
Bluetooth-Verzija.....	.....4.2	
Frekvencijski pojas.....	.....2400 – 2480 MHz	
Radiofrekvencijska snaga.....	.....0 dBm	
Težina po EPTA-proceduri 01/2014 (2,0 Ah - 12,0 Ah).....	.....3,5 ... 4,6 kg	
Preporučena temperatura okoline kod rada.....	.....-18 ... +50 °C	
Preporučeni tipovi akumulatora.....	.....M18B2... M18HB12	
Preporučeni punjači.....	.....M12-18 ... ; M1418B6	

#### Informacije o buci/vibracijama

Mjerne vrijednosti utvrđene odgovarajuće EN 62841.

A-procjenjeni nivo pritiska zvuka aparata iznosi tipično

Nivo pritiska zvuka (Nesigurnost K=3dB(A)).....88, 15 dB (A)

Nivo učinka zvuka (Nesigurnost K=3dB(A)).....99, 15 dB (A)

#### Nositi zaštitu sluha!

Ukupne vrijednosti vibracije (Vektor suma tri smjera) su odmerjene

odgovarajuće EN 62841

Rezanje drva pilom \*1

Vrijednost emisije vibracije a<sub>n,B</sub>.....20, 18 m/s<sup>2</sup>

Nesigurnost K=.....1, 5 m/s<sup>2</sup>

Piljenje drvenih balvana \*2

Vrijednost emisije vibracije a<sub>n,WB</sub>.....19, 53 m/s<sup>2</sup>

Nesigurnost K=.....1, 5 m/s<sup>2</sup>

\*1 s listom pile bimetal, dimenzije 150 x 1,25 mm i raspodjelom zuba od 5 mm

\*2 s listom pile bimetal, dimenzije 230 x 1,25 mm i raspodjelom zuba od 5 mm

#### UPOZORENIE

Razine emisije vibracija i buke navedena u ovom informacijskom listu izmjerene su u skladu sa standardiziranim ispitom koji propisuje EN 62841 i mogu se upotrebljavati za međusobnu usporedbu alata. Također se mogu upotrebljavati za prethodnu procjenu izloženosti.

Navedene razine emisija vibracija i buke predstavljaju glavnu svrhu primjene alata. Međutim, ako se alat upotrebljava u druge svrhe, s drugim priborom ili se ne održava dovoljno, emisije vibracija i buke mogu biti drukčije. To može značajno povećati razinu izloženosti tijekom cjelokupna razdoblja rada.

Procjena razine izloženosti vibracijama i buci također bi u obzir trebala uzeti razdoblja tijekom kojih je alat isključen ili kada je uključen, no njime se ne obavlja nikakav rad. Time se značajno može smanjiti razina izloženosti tijekom cjelokupna razdoblja rada.

Utvrđite dodatne sigurnosne mjere kako biste zaštitili rukovatelja od ovih učinaka vibracija i/ili buke, primjerice: održavanje alata i pribora, osiguravanje da ruke budu tople, organizacija obrazaca rada.

**UPOZORENIE! Treba pročitati sve napomene o sigurnosti, upute, prikaze i specifikacije za ovaj električni alat.** Propusti kod pridržavanja sljedećih uputa može uzrokovati strujni udar, požar i/ili teške ozljede.

#### SIGURNOSNE UPUTE ZA SABLJASTE PILE

**Držite spravu na izoliranim drvačkim površinama kada izvodite radove kod kojih rezački alat može pogoditi skrivene vodove struje.** Kontakt rezačkog alata sa vodovima koji sprovode napon može metalne dijelove sprave dovesti pod napon i tako dovesti do električnog udara.

**Koristite vijčane stezaljke ili druga praktična pomoćna sredstva kako bi izradak pričvrstili na stabilnoj podlozi.** Držanjem izratka rukom ili protuprihtskanjem tijelom izradak može prokliznuti, što može dovesti do gubitka kontrole.

#### OSTALE SIGURNOSNE I RADNE UPUTE

Upotrebljavati zaštitnu opremu. Kod radova sa strojem uvijek nositi zaštitne naočale. Preporučuje se zaštitna odjeća, kao zaštitna maska protiv prašine, zaštitne rukavice, čvrste i protiv klizanja sigurne cipele, šljem i zaštitu sluha.

Prašina koja nastaje prilikom rada je često nezdrava i ne bi smijela dospjeti u tijelo. Nositi prikladnu zaštitnu masku protiv prašine.

Ne smiju se obrađivati nikakvni materijali, od kojih prijeti opasnost po zdravlje (npr. azbest).

Kod blokiranja alata koji se upotrebljava uređaj molimo odmah isključiti! Uređaj nemojte ponovno uključiti za vrijeme dok je alat koji se upotrebljava blokiran; time može doći do povratnog udara sa visokim reakcijskim momentom. Pronađite i otklonite uzrok blokiranja alata koji se upotrebljava uz poštivanje sigurnosnih uputa.

Mogući uzroci tome mogu biti:

- Izobličavanje u izratku koji se obrađuje
- Probijanje materijala koji se obrađuje
- Preopterećenje električnog alata

Nemojte sezati u stroj koji radi.

Upotrebjeni alat se može za vrijeme korištenja zagrijati.

**UPOZORENIE!** Opasnost od opekotina

- kod promjene alata
- kod odlaganja uređaja

Piljevina ili iverje se za vrijeme rada stroja ne smiju odstranjivati.

Kod radova na zidu, stropu ili podu paziti na električne kablove kao i vodove plina i vode.

Osigurajte vaš izradak jednim stezним uređenjem. Neosigurani izradci mogu prouzročiti teške povrede i oštećenja.

Listovi pile sa pukotinama, koji su promijenili oblik, se ne smiju upotrebljavati!

Piljenje uronjavanjem je moguće samo kod mekših materijala (drvo, lagani građevni materijal za zidove), kod tvrdih materijala (metali) se mora nadodati za list pile odgovarajuće veliko bušenje.

Prije svih radova na stroju izvaditi bateriju za zamjenu.

Istrošene baterije za zamjenu ne bacati u vatru ili u kućno smeće. Milwaukee nudi mogućnost uklanjanja starih baterija odgovarajuće okolini. Milwaukee nudi mogućnost uklanjanja starih baterija odgovarajuće okolini; upitajte molimo Vašeg stručnog trgovca.

Baterije za zamjenu ne čuvati skupa sa metalnim predmetima (opasnost od kratkog spoja).

U prostor za punjenje baterija u uređaju za punjenje ne smiju dospjeti metalni dijelovi (opasnost od kratkog spoja).

Baterije sistema 18 V puniti samo sa uređajem za punjenje sistema 18 V. Ne puniti baterije iz drugih sistema.

Baterije za zamjenu i uređaje za punjenje ne otvarati i čuvati ih samo u suhim prostorijama. Čuvati protiv vlage.

Pod ekstremnim opterećenjem ili ekstremne temperature može iz oštećenih baterija iscuriti baterijska tekućina. Kod dodira sa baterijskom tekućinom odmah isprati sa vodom i sapunom. Kod kontakta sa očima odmah najmanje 10 minuta temeljno ispirati i odmah potražiti liječnika.

**UPOZORENJE!** Zbog izbjegavanja opasnosti od požara jednim kratkim spojem, opasnosti od ozljeda ili oštećenja proizvoda, alat, izmjenjivi akumulator ili napravu za punjenje ne uronjavati u tekućine i pobrinite se za to, da u uređaje ili akumulator ne prodiru nikakve tekućine. Korozirajuće ili vodljive tekućine kao slana voda, određene kemikalije i sredstva za bijeljenje ili proizvodi koji sadrže sredstva bijeljenja, mogu prouzročiti kratak spoj.

**UPOZORENJE!** Ovaj uređaj sadrži litijsku dugmastu staničnu bateriju.

Jedna nova ili rabljena baterija može prouzročiti teške unutarnje opekotine i za manje od 2 sata prouzročiti smrt, ako se proguta ili ako dospje u tijelo. Osigurajte uvijek poklopac pretinca za baterije.

Ako ovaj ne zatvara na siguran način, isključite uređaj, odstranite bateriju i čuvajte ovu van dometa za djecu.

Ako vjerujete, da je baterija bila progutana ili da je dospjela u tijelo, odmah potražiti liječničku pomoć.

#### IZJAVA O SUKLADNOSTI

Izjavljujemo kao proizvođač na osobnu odgovornost, da je proizvod, opisan pod "Tehnički podaci" sukladan sa svim relevantnim propisima smjernica 2011/65/EU (RoHS), 2014/30/EU, 2006/42/EG i sa sljedećim harmoniziranim normativnim dokumentima:

EN 62841-1:2015  
EN 62841-2-11:2016/A1:2020  
EN 55014-1:2017/A11:2020  
EN 55014-2:2015  
EN 62479:2010  
EN 300 328 V2.2.2  
EN 301 489-1 V2.2.3  
EN 301 489-17 V3.2.4  
EN IEC 63000:2018

Winnenden, 2021-08-16

*Alexander Krug*

Alexander Krug  
Managing Director

Ovlašten za formiranje tehničke dokumentacije.



Techtronic Industries GmbH  
Max-Eyth-Straße 10  
71364 Winnenden  
Germany

#### PROPISNIA UPOTREBA

Sabljasta pila pili drvo, plastiku i metal. Ona reže ravnine, krivine i unutrašnje isječke. Ona reže cijevi i odvaja površinski zbijeno.

Ovaj aparat se smije upotrijebiti samo u određene svrhe kao što je navedeno.

#### IZBOR VRSTE POGONA

Prije promjene vrste pogona pričekači sve dok potpunog zaustavljanja aparata. Da bi se promijenila namještanja, pritisnuti tipku  WLAN tipku  pritisnuti, da bi se prethodno namještena vrijednosti preko ONE-KEY App promijenile na vašem Smartphonu.

Automatsko zaustavljanje pile  zaustavlja klipnu pilu nakon što je materijal potpuno ispijen.

#### ONE-KEY™

Da bi se saznalo više o ONE-KEY funkcionalnosti ovoga alata, pročitajte priložene upute o brzom startu ili nas posjetite na internetu pod [www.milwaukee.com/one-key](http://www.milwaukee.com/one-key). ONE-KEY App možete preko App Store ili Google Play preuzeti na vaš Smartphone.

Ako je uređaj ometan elektrostatičkim pražnjenjima, LED-prikaz brzine se gasi i brzina se više ne može regulirati. U tome slučaju izvaditi zamjenjivi akumulator i element u obliku gumba i ponovno umetnuti (vidi stranu 6 i stranu 16).

Smetnje prouzročene elektrostatičkim pražnjenjima vode i od prekida Bluetooth-komunikacije. U tome slučaju se Bluetooth-Verbindung mora ručno ponovno uspostaviti.

Die Prüfergebnisse erfüllen unsere Mindestanforderungen gemäß EN 55014-2 / EN 301489-1 / EN 301489-17.

#### ELEKTRIČNA KOČNICA

Kod ispuštanja pritisne sklopke se list pile u roku od oko 2 sekunde zaustavlja električnom kočnicom. Električna kočnica može doduše djelovati usporavajuće. Ponekad električna kočnica nije djelotvorna.

Ukoliko električna kočnica češće ne djeluje, pila se mora odnijeti autoriziranom servisu Milwaukee.

Tek poslije mirovanja lista pile, pilu izvući iz komada koji se obrađuje.

#### BATERIJE

Baterije koje duže vremena nisu korištene, prije upotrebe napuniti.

Temperatura od preko 50°C smanjuje učinak baterija. Duže zagrijavanje od strane sunca ili grijanja izbjeci.

Priključne kontakte na uređaju za punjenje i baterijama držati čistima.

Za optimalni vijek trajanja se akumulatori poslije upotrebe moraju sasvim napuniti.

Za što moguće duži vijek trajanja, akumulatori se nakon punjenja moraju odstraniti iz punjača.

Kod skladištenja akumulatora duže od 30 dana:

Akumulator skladištiti na suhom kod ca. 27°C.

Akumulator skladištiti kod ca. 30%-50% stanja punjenja.

Akumulator ponovno napuniti svakih 6 mjeseci.

#### ZAŠTITA OD PREOPTEREĆENJA AKUMULATORA

Kod preopterećenja akumulatora kroz visoku potrošnju struje, npr. ekstremno visoki okretni momenti, zaglavljenje, naglo zaustavljanje ili kratki spoj, elektroalat brui 2 sekunde dugo i isključuje se samostalno. Za ponovno uključivanje ispuštiti otkopac prekidača i zatim ponovno uključiti.

Pod ekstremnim opterećenjima se akumulator može jako zagrijati. U ovom slučaju se akumulator isključuje.

#### TRANSPORT LITIJSKIH IONSKIH BATERIJA

Litijske-ionske baterije spadaju pod zakonske odredbe u svezi transporta opasne robe.

Prijevoz ovih baterija mora uslijediti uz poštivanje lokalnih, nacionalnih i internacionalnih propisa i odredaba.

- Korisnici mogu bez ustručavanja ove baterije transportirati po cestama.
- Komercijalni transport litijsko-ionskih baterija od strane transportnih poduzeća spada pod odredbe o transportu opasne robe. Otpremničke

priprave i transport smiju izvoditi isključivo odgovarajuće školovane osobe. Kompletni proces se mora pratiti na stručan način.

Kod transporta baterija se moraju poštivati slijedeće točke:

- Uvjerite se da su kontakti zaštićeni i izolirani kako bi se izbjegli kratki spojevi.
- Pazite na to, da blok baterija unutar pakiranja ne može proklizavati.
- Oštećene ili iscrupjele baterije se ne smiju transportirati.

U svezi ostalih uputa obratite se vašem prijevoznom poduzeću.

## ODRŽAVANJE

Proraze za prozračivanje stroja uvijek držati čistima.

Primijeniti samo Milwaukee opremu i Milwaukee rezervne dijelove. Sastavne dijelove, čija zamjena nije opisana, dati zamijeniti kod jedne od Milwaukee servisnih službi (poštivati brošuru Garancija/Adrese servisa).

Po potrebi se orđe pojedinih dijelova aparata uz navođenje podatka o tipu stroja i šestznamenastog broja na pločici snage može zatražiti kod vašeg servisa ili direktno kod Technonic Industries GmbH, Max-Eyth-Straße 10, 71364 Winnenden, Njemačka.

	Napon
	Istosmjerna struja
	Europski znak suglasnosti
	Britanski znak suglasnosti
	Ukrajinski znak suglasnosti
	Euroazijski znak suglasnosti

## SIMBOLI



PAŽNJA! UPOZORENJE! OPASNOST!



Prije svih radova na stroju izvaditi bateriju za zamjenu.



Molimo da pažljivo pročitate uputu o upotrebi prije puštanja u rad.



Dugmaste stanične baterije ne progutati!



Kod radova na stroju uvijek nositi zaštitne naočale



Oprema - u opsegu isporuke nije sadržana, preporučena dopuna iz promgrama opreme.



Stare baterije, električni i elektronički uređaji se ne smiju zbrinjavati skupa sa kućnim smećem. Stare baterije, električni i elektronički uređaji se moraju odvojeno skupljati i zbrinuti.

Prije zbrinjavanja odstranite stare baterije, stare akumulatorne i rasvijetna sredstva iz uređaja. Raspitajte se kod mjesnih vlasti ili kod Vašeg stručnog trgovca o mjestima recikliranja i mjestima skupljanja. Zavisno o mjesnim odredbama stručni trgovci mogu biti obvezatni, stare baterije, i električne i elektroničke stare uređaje besplatno uzeti nazad. Doprinesite kroz ponovnu primjenu i recikliranje Vaših starih baterija, električnih i elektronskih uređajatom, da se potreba za sirovinama smanji. Stare baterije (prije svega litij-ionske baterije, električne i elektronske stare uređaje sadrže dragocjene, ponovno uporabljive materijale, kojie bi kod zbrinjavanja protivno očuvanju okoline mogli imati negativne posljedice za okolinu i Vaše zdravlje. Prije zbrinjavanja izbrisite postojeće podatke koji se odnose na osobu, koji se po mogućnosti nalaze na Vašem starom uređaju.

$n_0$

Broj hodova praznog hoda

TEHNIŠKIE DATI	AKUMULATORA VIRZULŽAĖIS	M18 ONEFSZ
Izlaides numurs .....	.....	477908 03 ...000001-999999
maks. griezumata dziļums (mērv.):		
Mikstkokšs .....	.....	300 mm
Tērauda .....	.....	20 mm
alumiņijs .....	.....	25 mm
Krāsainais metāls .....	.....	25 mm
Metāla caurule .....	.....	150 mm
Tukšgaitas gājienu skaits .....	.....	0-3000 min <sup>-1</sup>
Gājienu augstums .....	.....	32 mm
Akumulātorā spriegums .....	.....	18 V
Bluetooth versija .....	.....	4.2
Frekvenču josla .....	.....	2400 – 2480 MHz
Signāla jauda .....	.....	0 dBm
Svars atbilstoši EPTA - Procedure 01/2014 (2,0 Ah - 12,0 Ah)....	.....	3,5 ... 4,6 kg
Leteicamā vides temperatūra darba laikā .....	.....	-18 ... +50 °C
Leteicamie akumulatoru tipi .....	.....	M18B2... M18HB12
Leteicamās uzlādes ierīces .....	.....	M12-18 ... ; M1418C6

## Trokšņu un vibrāciju informācija

Vērtības, kas noteiktas saskaņā ar EN 62841.

Instrumenta tipiskais pēc A vērtētais trokšņa spiediena līmenis parasti sastāda

Trokšņa spiediena līmenis (Nedrošība K=3dB(A)).....	88,15 dB (A)
Trokšņa jaudas līmenis (Nedrošība K=3dB(A)) .....	99,15 dB (A)

## Nēsāt trokšņa slāpētāju!

Svārstību kopējā vērtība (Trīs virzienu vektoru summa) tiek noteikta atbilstoši EN 62841.

Koka zāģis \*1

Svārstību emisijas vērtība $a_{h,a}$ .....	20,18 m/s <sup>2</sup>
Nedrošība K= .....	1,5 m/s <sup>2</sup>

Balku/siju zāģi \*2

Svārstību emisijas vērtība $a_{h,wb}$ .....	19,53 m/s <sup>2</sup>
Nedrošība K= .....	1,5 m/s <sup>2</sup>

\*1 ar zāģa plātni bimetal, izmērs 150 x 1,25 mm un zobu solis 5 mm

\*2 ar zāģa plātni bimetal, izmērs 230 x 1,25 mm un zobu solis 5 mm

## UZMANĪBU

Vibrācijas un trokšņa emisijas līmenis šajā informācijas lapā ir izmērīts saskaņā ar EN 62841 standarta testa metodi un var tikt izmantots, lai salīdzinātu vienu ierīci ar otru. Tās var tikt izmantotas ietekmes sākotnējai izvērtēšanai.

Norādītais vibrācijas un trokšņa emisijas līmenis attēlo ierīces galvenos izmantošanas veidus. Tomēr, ja ierīce tiek izmantota citiem mērķiem, ar citu papildaprīkojumu vai nepareizi apkopota, vibrācijas un trokšņa emisija var atšķirties. Tas var ievērojami paaugstināt ietekmes līmeni visā darba laikā.

Novērtējot vibrācijas un trokšņa ietekmes līmeni, vajadzētu ņemt vērā arī laiku, kad ierīce ir izslēgta vai ieslēgta, taču netiek lietota. Tas var ievērojami samazināt ietekmes līmeni visā darba laikā.

Lai aizsargātu operatoru no vibrācijas un/vai trokšņa, veiciet papildu drošības pasākumus, piemēram, veiciet apkopi ierīcei un papildaprīkojumam, uzturiet rokas siltas, organizējiet darba grafiku.

**⚠ BRĪDINĀJUMS** Izlasiet visus šim elektroinstrumentam pievienotos drošības brīdinājumus, instrukcijas, ilustrācijas un specifikācijas. Nespēja ievērot visas zemāk uzskaitītās instrukcijas var novest pie elektrošoka, ugunsgrēka un/vai smagiem savainojumiem.

## ⚠ ZOBENZĀĢA DROŠĪBAS NORĀDES

**Ļeŗiŗi turiet aiz izolētiem rokuriem, ja veicat darbus, kuros griešanas darbiem izmantojamais instruments var skart paslēptus elektrovadus.**

Ši instrumenta saskare ar strāvu vadošiem kabeļiem var radīt spriegumu arī ierīces metālisķajās daļās un var izraisīt elektrisko triecienu.

Izmantojiet skavas vai kādu citu praktisku veidu kā atbilstīt un nostiprināt apstrādājamo materiālu pie stabilas platformas. Materiāla turešana rokā vai atbalstīšana pret ķermeni padara to nestabilu un var izraisīt kontroles zaudēšanu.

## CITAS DROŠĪBAS UN DARBA INSTRUKCIJAS

Jāizmanto aizsargaprīkojums. Strādājot ar mašīnu, vienmēr jānēsā aizsargbrilles. Ieteicams nēsāt aizsargapģērbu, kā piemēram, aizsargmasku, aizsargcimdus, ķurpes no stingra un neslīdīga materiāla, ķiveri un ausu aizsargus.

Putekļi, kas rodas darba gaitā, bieži ir kaitīgi veselībai un tiem nevajadzētu nokļūt organismā. Jānēsā piemērota maska, kas pasargā no putekļiem.

Nedrīkst apstrādāt materiālus, kas rada draudus veselībai (piemēram, azbestu).

Ja izmantojamais darba rīks tiek bloķēts, nekavējoties izslēgt ierīci! Neieslēdziet ierīci, kamēr izmantojamais darba rīks ir bloķēts; var rasties atsitieni ar augstu griezes momentu. Noskaidrojiet un novērsiet izmantojamā darba rīka bloķēšanas iemeslu, ievērojot visas drošības norādes.

Iespējamie iemesli:

- iesprūdis apstrādājamajam materiālam
- apstrādājamais materiāls ir caursists
- elektroinstruments ir pārslogots

Eslēgtai ierīcei nepieskarties.

Izmantojamais darba rīks darba gaitā var stipri sakarst.

**UZMANĪBU!** Bīstamība apdedzināties

- veicot darba rīka nomaiņu
- noliekot iekārtu

Skaidas un atlūzas nedrīkst ņemt ārā, kamēr mašina darbojas.

Veicot darbus sienā, griestu un grīdas apvidū, vajag uzmanīties, lai nesabojātu elektriskos, gāzes un ūdens vadus.

Fiksējiet apstrādājamo materiālu ar fiksācijas aprīkojumu. Nenostiprināti materiāli var izraisīt smagus savainojumus un bojājumus.

Saplaisājusas zāģu ripas un tādas, kas ir izmainījušas savu formu, nedrīkst izmantot.

Iegremdējamos zāģus drīkst izmantot tikai mīkstu materiālu apstrādei (koks, vieglie būvmateriāli sienām), cietākos materiālos iepriekš jāveic zāģa ripas izmēram atbilstošs urbums.

Pirms mašīnai veikt jebkāda veida apkopes darbus, ir jāizņem ārā akumulators.

Izmantotos akumulus nedrīkst mest ugunī vai parastajos atkritumos. Firma Milwaukee piedāvā iespēju vecos akumulatorus savākt apkārtējo vidi saudzējošā veidā; jautājiet specializētā veikalā.

Akumulatorus nav ieteicams glabāt kopā ar metāla priekšmetiem (iespējams īsslēgums).

Jāuzmanās, lai akumulatoru lādētājā nenokļūtu nekādi metāla priekšmeti (iespējams īsslēgums).

18 V sistēmas akumulatorus lādēt tikai ar 18 V sistēmas lādētājiem. Nedrīkst lādēt citus akumulatorus no citām sistēmām.

Akumulatorus un lādētājus nedrīkst taisyt vaļā un tie jāuzglabā sausās telpās.

Pie ārkārtas slodzes un ārkārtas temperatūrām no bojātā akumulatora var iztect akumulātorā šķidrums. Ja nonākat saskarsmē ar akumulātorā šķidrumu, saskarsmes vieta nekavējoties jānomazgā ar ūdeni un ziepēm. Ja šķidrums nonācis acīs, acis vismaz 10 min. skalot un nekavējoties konsultēties ar ārstu.

**Brīdinājumi!** Lai novērstu īssavienojuma izraisītu aizdegšanās, savainojumu vai produkta bojājuma risku, neiegremdējiet instrumentu, maināmo akumulatoru vai uzlādes ierīci šķidrumos un rūpējieties par to, lai ierīcēs un akumulatoros neieklūtu šķidrums. Koroziju izraisoši vai vadītspējīgi šķidrumi, piemēram, sālsūdens, noteiktas ķīmikālijas, balinātāji vai produkti, kas satur balinātājus, var izraisīt īssavienojumu.

**⚠ BRĪDINĀJUMS!** Šī ierīce satur litija podziņbateriju. Jauna vai lietota baterija var izraisīt smagus iekšējus apdegumus un izraisīt nāvi mazāk nekā 2 stundu laikā, ja tā tiek norīta vai nokļūst ķermenī. Vienmēr nodrošiniet bateriju nodalījuma vāku. Ja tas droši neaizveras, izslēdziet ierīci, izņemiet bateriju un uzglabāiet bērniem nepieejamā vietā. Ja Jums ir aizdomas par to, ka baterijas ir norītas vai nokļuvušas ķermenī, nekavējoties uzmeklējiet ārstu.

## EK ATBILSTĪBAS DEKLARĀCIJA

Mēs kā ražotājs un vienīgā atbildīgā persona apliecinām, ka mūsu "Tehniskajos datos" raksturotais produkts atbilst visām attiecīgajām Direktīvu 2011/65/ES (RoHS), 2014/30/ES, 2006/42/EK normām un šādiem saskaņotiem normatīvajiem dokumentiem:

EN 62841-1:2015  
EN 62841-2-11:2016/A1:2020  
EN 55014-1:2017/A11:2020  
EN 55014-2:2015  
EN 62479:2010  
EN 300 328 V2.2.2  
EN 301 489-1 V2.2.3  
EN 301 489-17 V3.2.4  
EN IEC 63000:2018

Winnenden, 2021-08-16



Alexander Krug  
Managing Director



Pilnvarotais tehniskās dokumentācijas sastādītājs.



Technronic Industries GmbH  
Max-Eyth-Straße 10  
71364 Winnenden  
Germany

## NOTEIKUMIEM ATBILSTOŠS IZMANTOJUMS

Zobenzāģis zāģē koku, plastmasu un metālu. Ar to var veikt taisno zāģējumu, slīpo un kombinēto zāģēšanu. Ar to var zāģēt caurules, un tas zāģē līdz ar vīrsmu.

Šo instrumentu drīkst izmantot tikai saskaņā ar minētajiem lietošanas noteikumiem.

## DARBA REŽĪMA IZVĒLE

Pirms darba režīma maiņas nogaidiet, līdz ierīce pilnībā apstājas. Lai mainītu iestatījumus, nospiediet taustiņu . Nospiediet bezvada interneta taustiņu , lai iestatītais vērtības ar ONE-KEY App izmainītu savā smārtfonā.

Automātiska zāģa atdure . aptur zāģi pēc materiāla pilnīgas zāģēšanas.

## ONE-KEY™

Lai vairāk uzzinātu par šī instrumenta ONE-KEY funkcionalitāti, izlasiet pievienoto ātrās palaišanas instrukciju vai apmeklējiet mūsu interneta mājas lapu [www.milwaukee.com/one-key](http://www.milwaukee.com/one-key). Jūs varat ONE-KAY App savā smārtfonā lejuplādēt no App Store vai Google Play.

Ja ierīces darbību traucē statiskās elektrības izlādes, LED ātruma rādījums nodzies un ātrumu vairs nav iespējams regulēt. Tādā gadījumā izņemiet un atkārtoti ievietojiet maināmo akumulatoru un podziņelemtu (skatīt 6. un 16. lappusi). Statiskās elektrības izlādes izraisīti traucējumi rada arī pārtraukumus Bluetooth komunikācijā. Šādā gadījumā Bluetooth savienojums jāatjauno manuāli.

Pārbaudes rezultāti izpilda mūsu minimālās prasības atbilstoši EN 55014-2 / EN 301489-1 / EN 301489-17.

## ELEKTRISKĀS BREMZES

Elektriskās bremses tiek iedarbinātas atbrīvojot sprūdu, tādējādi liekot asmenim apstāties un ļaujot jums turpināt darbu. Parasti asmens apstājas divu sekunžu laikā, tomēr šis laiks posms var būt ilgāks, ņemot vērā to laiku, kad jūs atbrīvojat sprūdu un bremses iedarbinās. Vār gadīties, ka bremses neieslēdzas. Ja tā notiek, nepieciešams, lai zāģi pārbauda oficiālais Milwaukee apkalpošanas serviss.

Pirms zāģa izņemšanas no darba vietas, vienmēr pagaidiet, kamēr asmens ir pilnīgi apstājies.

## AKUMULĀTORI

Akumulatori, kas ilgāku laiku nav izmantoti, pirms lietošanas jāuzlādē.

Pie temperatūras, kas pārsniedz 50°C, akumulatoru darbspēja tiek negatīvi ietekmēta. Vajag izvairīties no ilgākas saules un karstuma iedarbības.

Lādētāja un akumulatoru pievienojuma kontakti jāuztur tīri.

Lai baterijām būtu optimāls mūžs, pēc lietošanas bateriju bloks pilnībā jāuzlādē.

Lai akumulatori kalpotu pēc iespējas ilgāku laiku, tos pēc uzlādes ieteicams atvienot no lādētāj ierīces.

Akumulatora uzglabāšana ilgāk kā 30 dienas: uzglabāt akumulatoru pie aptuveni 27° C un sausā vietā. Uzglabāt akumulatoru uzlādes stāvoklī aptuveni pie 30%-50%. Uzlādēt akumulatoru visus 6 mēnešus no jauna.

## AKUMULATORA AIZSARDZĪBA PRET PĀRSLOGOJUMU

Akumulatoru pārslogojuma gadījumos, esot ļoti liela elektroenerģijas patēriņam, piem., ārkārtīgi augsts griezes moments, iekēšanās, pēkšņa apstāšanās vai īssavienojums, elektriskais darbarīks 2 sekundes ruc, un pats izslēdzas.

Lai to atkal ieslēgtu, atļaidiet ieslēgšanas pogu un tad to ieslēdziet no jauna.

Esot ārkārtīgi augstam noslogojumam, akumulators var spēcīgi sakarst. Šādā gadījumā akumulators atslēdzas.

## LITĪJA JONU AKUMULATORU TRANSPORTĒŠANA

Uz litija jonu akumulatoriem attiecas noteikumi par bīstamo kravu pārvadāšanu.

Šo akumulatoru transportēšana jāveic saskaņā ar vietējiem, valsts un starptautiskajiem normatīvajiem aktiem un noteikumiem.

- Patērētāja darbības, pārvadājot šos akumulatorus pa autoceļiem, nav reglamentētas.
- Uz litija jonu akumulatoru komerciālu transportēšanu, ko veic ekspedīcijas uzņēmums, attiecas bīstamo kravu pārvadāšanas noteikumi. Sagatavošanas darbus un transportēšanu drīkst veikt tikai atbilstoši apmācīts personāls. Viss process jāveda profesionāli.

Veicot akumulatoru transportēšanu, jāievēro:

- Pārliecinieties, ka kontakti ir aizsargāti un izolēti, lai izvairītos no īssavienojumiem.
- Pārliecinieties, ka akumulators iepakojumā nevar paslīdēt.
- Bojātus vai tekošus akumulatorus nedrīkst transportēt.

Plašāku informāciju Jūs varat saņemt no ekspedīcijas uzņēmuma.

## APKOPE

Vajag vienmēr uzmanīti, lai būtu tīras dzesēšanas atveres.

Izmantojiet tikai firmu Milwaukee piederumus un firmas Milwaukee rezerves daļas. Lieciet nomainīt detaļas, kuru nomaīna nav aprakstīta, kādā no firmu Milwaukee klientu apkalpošanas servisiem. (Skat. brošūru "Garantija/klientu apkalpošanas serviss".)

Pēc pieprasījuma, Jūsu Klientu apkalpošanas centrā vai pie Technronic Industries GmbH, Max-Eyth-Straße 10, 71364 Winnenden, Vācijā, ir iespējams saņemt iekārtas montāžas rasējumu, iepriekš norādot iekārtas modeli un sērijas numuru, kas atrodas uz datu plāksnītes un sastāv no sešiem simboliem.

## SYMBOĻI



UZMANĪBU! BĪSTAMI!



Pirms mašīnai veikt jebkāda veida apkopes darbus, ir jāizņem ārā akumulators.



Pirms sākt lietot instrumentu, lūdzu, izlasiet lietošanas pamācību.



Nenorījiet podziņbateriju!



Strādājot ar mašīnu, vienmēr jānēsā aizsargbrilles.



Piederumi - standartaprīkojumā neietvertas, bet ieteicamās papildus komplektācijas detaļas no piederumu programmas.



Neutilizējiet bateriju atkritumus, elektrisko un elektronisko iekārtu atkritumus kā nešķīrotus sadzīves atkritumus. Bateriju atkritumi un elektrisko un elektronisko iekārtu atkritumi ir jāsavāc atsevišķi. Bateriju atkritumi, akumulatoru atkritumi un gaismas avotu atkritumi ir jāņem no iekārtas. Sazinieties ar vietējo iestādi vai mazumtirgotāju, lai iegūtu padomus par atreizejo pārstrādi un savākšanas punktu. Atkarībā no vietējiem noteikumiem, mazumtirgotājiem var būt pienākums bez maksas pieņemt atpakaļ bateriju atkritumus un elektrisko un elektronisko iekārtu atkritumus.

Jūsu ieguldījums bateriju atkritumu un elektrisko un elektronisko iekārtu atkritumu atkārtotā izmantošanā un atreizejā pārstrādē palīdz samazināt pieprasījumu pēc izejvielām. Bateriju atkritumos, īpaši tajos, kas satur litiju, un elektrisko un elektronisko iekārtu atkritumos ir vērtīgi, atreizejā pārstrādājami materiāli, kas var negatīvi ietekmēt vidi un cilvēku veselību, ja tie netiek utilizēti videi draudzīgā veidā.

No iekārtu atkritumiem izdzēsiet personāla datus, ja tādi ir.



Tukšgaitas apgriezienu skaits



Spriegums



Līdzstrāva



Eiropas atbilstības zīme



Ukrainas atbilstības zīme



Eirāzijas atbilstības zīme



TECHINIAI DUOMENYS SLENKAMOJO JUDESIO PJŪKLAS SU AKUMULIATORIUMI	M18 ONEFSZ
Produkto numeris .....	477908 03 ...000001-999999
Maks. pjūvio gylis pjaunant:	
minkštą medieną.....	300 mm
plieną .....	20 mm
Aluminis .....	25 mm
spalvotuosius metalus.....	25 mm
metaliinius vamzdžius.....	150 mm
judesių skaičius laisva eiga .....	0-3000 min <sup>-1</sup>
judesio aukštis .....	32 mm
keičiamo akumuliatoriaus įtampa .....	18 V
„Bluetooth“ versija.....	4.2
dažnių juosta .....	2400 – 2480 MHz
radijo dažnių galia.....	0 dBm
Prietaiso svoris įvertintas pagal EPTA 01/2014 tyrimų metodiką. (2,0 Ah - 12,0 Ah).....	3,5 - 4,6 kg
Rekomenduojama aplinkos temperatūra dirbant.....	-18...+50 °C
Rekomenduojami akumuliatorių tipai.....	M18B2... M18HB12
Rekomenduojami įkrovikliai.....	M12-18 ... ; M1418C6

#### Informacija apie triukšmą/vibraciją

Vertės matuotos pagal EN 62841.

Prietaisui būdingas garso slėgio lygis, koreguotas pagal A dažnio charakteristiką.

Garso slėgio lygis (Paklaida K=3dB(A)).....	88, 15 dB (A)
Garso galios lygis (Paklaida K=3dB(A)).....	99, 15 dB (A)

#### Nešioti klausos apsaugines priemones!

Bendroji svyravimų reikšmė (trijų krypčių vektorių suma), nustatyta remiantis EN 62841.

Medienos pjovimas \*1

Vibravimų emisijos reikšmė a <sub>n,B</sub> .....	20, 18 m/s <sup>2</sup>
Paklaida K=.....	1, 5 m/s <sup>2</sup>

Medinių sijų pjovimas. \*2

Vibravimų emisijos reikšmė a <sub>n,WB</sub> .....	19,53 m/s <sup>2</sup>
Paklaida K=.....	1, 5 m/s <sup>2</sup>

\*1 su bimetal pjūkle geležte, dydis 150 x 1,25 mm ir 5 mm tarpas tarp danų  
\*2 su bimetal pjūkle geležte, dydis 230 x 1,25 mm ir 5 mm tarpas tarp danų

#### DĖMESIO

Šiame vadove nurodytos bendrosios vibracijos ir triukšmo emisijos vertės nustatytos pagal standartinius bandymo metodus pagal EN 62841, todėl gali būti taikomos lyginant vieną įrankį su kitu. Gali būti naudojama preliminariam poveikio įvertinimui.

Nurodytos bendrosios vibracijos ir triukšmo emisijos vertės atitinka įrankio taikymą. Jei įrankis naudojamas kitokiais tikslais, kartu su kitokiais priedais ar netinkamai prižiūrimas, bendrosios vibracijos ir triukšmo emisijos vertės gali skirtis. Tai gali žymiai padidinti poveikio lygį viso darbo metu.

Apskaičiuojant bendrosios vibracijos ir triukšmo emisijos vertes reikėtų atsižvelgti į laikotarpį, kai prietaisas yra išjungtas arba įjungtas, bet nėra naudojamas. Tai gali žymiai sumažinti poveikio lygį viso darbo metu.

Tam, kad naudotojas būtų apsaugotas nuo vibracijos ir (arba) triukšmo poveikio, reikia nustatyti papildomus saugos reikalavimus, pavyzdžiui: tinkamai prižiūrėti prietaisą ir jo priedus, laikyti rankas šiltais, organizuoti darbo modelius.

**⚠ WARNING** Perskaitykite visus saugumo įspėjimus, instrukcijas, peržiūrėkite iliustracijas ir specifikacijas, pateiktas kartu su šiuo įrankiu. Jei nepaisysite visų toliau pateiktų instrukcijų, gali trenkti elektros smūgis, kilti gaisras ir/arba galite sunkiai susižaloti arba sužaloti kitus asmenis.

#### ⚠ KARDINIO PJŪKLO SAUGUMO NURODYMAI

Dirbdami laikykite prietaisą už izoliuotų vietų, kuriose pjovimo įrenginys pats galėtų liesti paslėptus laidus. Pjovimo įrenginio kontaktas su įtampos laidais gali įelektrinti metalines prietaiso dalis, o tai gali sukelti elektros iškvovą.

Naudokite spaustuvus ar kitokią tinkamą tvirtinimo priemonę pritvirtinti daiktą, su kuriuo dirbate, prie stabilaus pagrindo. Jei dalį, su kuria dirbate, laikote ranka arba prispaudę prie savo kūno, ji yra nestabili, ir todėl gali įvykti nelaimingas atsitikimas.

#### KITI SAUGUMO IR DARBO NURODYMAI

Dėvėkite apsaugines priemones. Dirbdami su mašina visada užsidėkite apsauginius akinius. Rekomenduojama dėvėti apsaugines priemones: apsaugos nuo dulkių respiratorius, apsaugines pirštines, kietus batus neslidžiais padais, šalną ir klausos apsaugos priemones.

Darbo metu susidarancios dulkės yra dažnai kenksmingos sveikatai ir todėl turėtų nepatekti į organizmą. Dėvėti tinkamą apsauginę kaukę nuo dulkių.

Negalima apdirbti medžiagų, dėl kurių galimi sveikatos pažeidimai (pvz., asbesto).

Blokuojant įstatomąjį įrankį būtina išjungti prietaisą! Neįjunkite prietaiso, kol įstatomasis įrankis yra užblokuotas; galimas grįžtamasis smūgis su dideliu sukimo momentu. Atsižvelgdami į saugumo nurodymus, nustatykite ir pašalinkite įstatomojo įrankio blokavimo priežastį.

- Galimos priežastys:
- Susidariusios apdirbamo ruošinio briaunos
  - Apdirbamos medžiagos pratrūkimas
  - Elektros įrankio perkrova

Nekiškite rankų į veikiančią mašiną.

Naudojamas įstatomasis įrankis gali įkaišti.

- DĖMESIO!** Pavojus nusideginti
- keičiant įrankį
  - padedant prietaisą

Draudžiama išiminti drožles ar nuopjovas, įrenginius veikiančiomis.

Dirbdami sienoje, lubose arba grindyse, atkreipkite dėmesį į elektros laidus, dujų ir vandens vamzdžius.

Ruošinių užfiksukite įtempimo įrenginiu. Neužfiksuoti ruošiniai gali sunkiai sužaloti ir būti pažeidimų priežastimi.

Įtrūkusius arba pakitusios formos pjovimo diskus naudoti draudžiama!

Pjauti įleidimo metodu galima tik minkštose medžiagose (medienoje, lengvųjų konstrukcijų medžiagose sienoms). Pjaunant kietose medžiagose, reikia išgręžti pjovimo disko dydį atitinkantį gręžinį.

Prieš atlikdami bet kokius darbus įrenginyje, išimkite keičiamą akumuliatorių.

Sunaudotų keičiamų akumuliatorių nedeginkite ir nemeskite į buitines atliekas. „Milwaukee“ siūlo tausojančią aplinką sudėvėtų keičiamų akumuliatorių tvarkymą, apie tai prekybos atstovė.

Keičiamų akumuliatorių nelaikykite kartu su metaliniais daiktais (trumpojo jungimo pavojus).

Į įkroviklių keičiamiems akumuliatoriams įstatymui skirtą vamzdį turi nepatekti jokios metalinės dalys (trumpojo jungimo pavojus).

Keičiamus „18 V“ sistemos akumuliatorius kraukite tik „18 V“ sistemos įkrovikliais. Nekraukite kitų sistemų akumuliatorių.

Keičiamų akumuliatorių ir įkroviklių nelaikykite atvirai. Laikykite tik sausose vietose. Saugokite nuo drėgmės.

Ekstremalių apkrovų arba ekstremalios temperatūros poveikyje iš keičiamų akumuliatorių gali ištekėti akumuliatoriaus skystis. Išsėtipus akumuliatoriaus skystiui, tuoj pat nuplaukite vandeniu su muilu. Patekus į akis, tuoj pat ne trumpiau kaip 10 minučių gausiai skalaukite vandeniu ir tuoj pat kreipkitės į gydytoją.

**Įspėjimas!** Siekdami išvengti trumpojo jungimo sukeliama gaisro pavojaus, sužalojimų arba produkto pažeidimų, neikiškite įrankio, keičiamo akumuliatoriaus arba įkroviklio į skystis ir pasirūpinkite, kad į prietaisus arba akumuliatorius nepatektų jokių skystių. Koroziją sukeliantys arba laidūs skystys, pvz., sūrus vanduo, tam tikri chemikalai ir balikliai arba produktai, kurių sudėtyje yra baliklių, gali sukelti trumpąjį jungimą.

**⚠ ĮSPĖJIMAS!** Šiame prietaise įrengtas ličio-jonų akumuliatorius. Prarijus arba patekus į kūną naujo arba naudoto akumuliatoriaus turiniui, gresia sunkus vidinis nudegimas arba mirtis trumpiau nei per 2 valandas. Visada gerai pritvirtinkite akumuliatoriaus skyriaus dangtelį. Jei dangtelis neužsidaro, išjunkite maitinimą, ištraukite akumuliatorių ir padėkite atokiaje, vaikams nepasiekiamoje vietoje. Jei įtariate, kad akumuliatoriaus turinys buvo prarytas arba pateko į kūną, nedelsiant kreipkitės į gydytoją.

#### EB ATITIKTIES DEKLARACIJA

Kaip gamintojas atsakingai pareiškiame, kad gaminys, aprašytas skyriuje „Techniniai duomenys“, atitinka visus 2011/65/ES (RoHS), 2014/30/ES, 2006/42/EB direktyvas ir šių darnųjų norminių dokumentų taikomus reikalavimus:

EN 62841-1:2015  
EN 62841-2-11:2016/A1:2020  
EN 55014-1:2017/A11:2020  
EN 55014-2:2015  
EN 62479:2010  
EN 300 328 V2.2.2  
EN 301 489-1 V2.2.3  
EN 301 489-17 V3.2.4  
EN IEC 63000:2018

Winnenden, 2021-08-16

Alexander Krug  
Managing Director



Įgalios parengti techninius dokumentus.

Techtronic Industries GmbH  
Max-Eyth-Straße 10  
71364 Winnenden  
Germany

#### NAUDOJIMAS PAGAL PASKIRTĮ

Tiesinis pjūklas pjauna medieną, plastiką ir metalą. Jis pjauna tieses, kreives ir vidines išpjuvas. Jis pjauna vamzdžius ir nupjauna lygiai su paviršiumi.

Šį prietaisą leidžiama naudoti tik pagal nurodytą paskirtį.

#### REŽIMO PASIRINKIMAS

Prieš keisdami režimą palaukite, kol prietaisas visiškai sustos. Kad galėtumėte pakeisti nustatymus, nuspauskite mygtuką . Nuspauskite WLAN mygtuką , kad savo išmaniajame telefone ONE-KEY programa pakeistumėte iš anksto nustatytas vertes.

Automatinis pjūkle sustabdymas : sustabdo stūmoklinį pjūklą, kai medžiaga bus visiškai išpjauta.

#### ONE-KEY™

Kad sužinotumėte daugiau apie ONE-KEY funkcionalumą, perskaitykite pridėtą greitos pradžios instrukciją arba aplankykite mus internete [www.milwaukeeool.com/one-key](http://www.milwaukeeool.com/one-key). ONE-KEY programą galite atsisiųsti iš App Store arba Google Play į savo išmanųjį telefoną.

Kai įrenginys paveikiamas elektrostatinės iškvovos, greičio LED išsijungia ir greičio reguliuoti nebegalima. Tokiu atveju išimkite ir įdėkite akumuliatorių bei diskinius galvinius elementus (žr. 6 psl. ir 16 psl.). Elektrostatinių iškvovų sukelti sutrikimai pertraukia „Bluetooth“ komunikacijų darbą. Tokiu atveju reikia rankiniu būdu atnaujinti „Bluetooth“ ryšį. Bandymų rezultatai atitinka mūsų minimalius reikalavimus pagal EN 55014-2 / EN 301489-1 / EN 301489-17.

#### ELEKTRINIS STABDYS

Atleidus jungiklį, elektrinis stabdys maždaug per 2 sekundes sustabdo pjūkle geležtę. Tačiau elektrinis stabdys gali veikti ir sulėtintai. Kartais elektrinis stabdys gali visai nesuveikti. Jei elektrinis stabdys dažnai neveikia, pjūklą reikia nugabenti į įgaliotą „Milwaukee“ aptarnavimo centrą.

Ištraukti pjūklą iš gaminamos detalės galima tik geležtei sustojus.

#### AKUMULIATORIAI

Ilgesnį laiką nenaudotus keičiamus akumuliatorius prieš naudojimą įkraukite.

Aukštesnė nei 50°C temperatūra mažina keičiamų akumuliatorių galią. Venkite ilgesnio saulės ar šilumos šaltinių poveikio.

Įkroviklio ir keičiamo akumuliatoriaus jungiamieji kontaktai visada turi būti švarūs.

Pasinaudoję prietaisu, visiškai įkraukite akumuliatorių, kad prietaisas veiktų optimaliai ilgai.

Siekiant užtikrinti kuo ilgesnį baterijos tarnavimo laiką, reikėtų ją po atlikto įkrovimo iškart išimti iš įkroviklio.

Bateriją laikant ilgiau nei 30 dienų, būtina atkreipti dėmesį į šias nuorodas: bateriją laikyti sausoje aplinkoje, esant apie 27 °C temperatūrai. Baterijos įkrovimo lygis turi būti nuo 30% iki 50%. Baterija pakartotinai turi būti įkraunama kas 6 mėnesius.

#### APSAUGA NUO AKUMULIATORIAUS PERKROVOS

Perkrovus akumuliatorių dėl itin didelės vartojamos srovės, pvz.: labai didelių apskukų, staigaus stabdymo, trumpo sujungimo ar užsikirtus, elektrinis įrankis veikia dar 2 sekundes ir išsijungia automatiškai. Norint iš naujo įjungti įrankį, reikia atleisti mygtuką ir jį dar kartą įjungti. Dėl ekstremalių apkrovų akumuliatorius gali labai stipriai įkaišti. Tokiu atveju jis išsijungia.

#### LIČIO JONŲ AKUMULIATORIŲ PERVEŽIMAS

Ličio jonų akumuliatoriams taikomos įstatyminės nuostatos dėl pavojingų krovinių pervežimų.

Šiuos akumuliatorius pervežti būtina laikintis vietinių, nacionalinių ir tarptautinių direktyvų ir nuostatų.

- Naudotojai šiuos akumulatorius gali naudoti savo transporte be jokių kitų sąlygų.
- Už komercinį ličio jonų akumuliatorių pervežimą atsako ekspedicijos įmonė pagal nuostatas dėl pavojingų krovinių pervežimo. Pasiruošimo išsiųsti ir pervežimo darbus gali atlikti tik atitinkamai išmokyti asmenys. Visas procesas privalo būti prižiūrimas.

Pervežant akumulatorius būtina laikytis šių punktų:

- Siekiant išvengti trumpųjų jungimų, įsitikinkite, kad kontaktai yra apsaugoti ir izoliuoti.
- Atkreipkite dėmesį, kad akumulatorius pakuotės viduje neslidinėtų.
- Draudžiama pervežti pažeistus arba tekancius akumulatorius.

Dėl detalesnių nurodymų kreipkitės į savo ekspedicijos įmonę.

## TECHNINIS APTARNAVIMAS

Įrenginio vėdinimo angos visada turi būti švarios.

Naudokite tik „Milwaukee“ priedus ir „Milwaukee“ atsargines dalis. Dalis, kurių keitimas neaprašytas, leidžiama keisti tik „Milwaukee“ klientų aptarnavimo skyriams (žr. garantiją/klientų aptarnavimo skyrių adresus brošiūroje).

Esant poreikiui, nurodžius mašinos modelį ir šešiaženklį numerį, esantį ant specifikacijų lentelės, klientų aptarnavimo centre arba tiesiogiai „Techtronic Industries GmbH“, Max-Eyth-Str. 10, 71364 Winnenden, Vokietija, galite užsakyti išplėstinį prietaiso brėžinį.

## SIMBOLIAI



DĖMESIO! ĮSPĖJIMAS! PAVOJUS!



Prieš atlikdami bet kokius darbus įrenginyje, išimkite keičiamą akumuliatorių.



Prieš pradėdami dirbti su prietaisu, atidžiai perskaitykite jo naudojimo instrukciją.



Neprarykite tabletės tipo baterijos!



Dirbdami su įrenginiu visada nešiokite apsauginius akinius.



Priedas – neįeina į tiekimo komplektaciją, rekomenduojamas papildymas iš priedų asortimento.



Neišmeskite baterijų atliekų, elektros ir elektroninės įrangos atliekų kaip nerūšiuotų komunalinių atliekų. Baterijų ir elektros bei elektroninės įrangos atliekos turi būti surenkamos atskirai.

Iš įrangos turi būti pašalintos baterijų, akumuliatorių atliekos ir šviesos šaltiniai.

Patarimų dėl perdirdimo ir surinkimo vietos kreipkitės į vietinę instituciją arba pardavėją.

Priklausomai nuo vietos teisės aktų, mažmenininkai gali būti įpareigoti nemokamai priimti atgal senas baterijas, seną elektros ir elektronikos įrangą.

Jūs indėlis į pakartotinį baterijų ir elektros bei elektroninės įrangos atliekų panaudojimą ir perdirdimą padeda sumažinti žaliavų poreikį.

Akumuliatorių, ypač kurių sudėtyje yra ličio, ir elektros bei elektroninės įrangos atliekose yra vertingų, perdirdamų medžiagų, kurios gali neigiamai paveikti aplinką ir žmonių sveikatą, jei jos nebus šalinamos aplinką tausojančiu būdu.

Ištrinkite personalo duomenis iš įrangos atliekų, jei tokių yra.



$f_n$  judesių skaičius laisva eiga



įtampa



Nuolatinė srovė



Europos atitikties ženklas



Britanijos atitikties ženklas



Ukrainos atitikties ženklas



001



Eurazijos atitikties ženklas

TEHNILISED ANDMED	JUHTMETA TÜKELDUSSAAG	M18 ONEFSZ
Toolmisnumber .....	.....	477908 03 ...000001-999999
Löikesütagavus maks:		
Pehme puit.....	.....	300 mm
Teras .....	.....	20 mm
Alumiinium .....	.....	25 mm
Värviine metall.....	.....	25 mm
Metalltorud .....	.....	150 mm
Käikude arv tühjooksul.....	.....	0-3000 min <sup>-1</sup>
Käigu kõrgus.....	.....	32 mm
Vahetatava aku pinge .....	.....	18 V
Bluetoothiga versioon .....	.....	4.2
Sagedusriba .....	.....	2400 – 2480 MHz
Saatevõimsus .....	.....	0 dBm
Kaal vastavalt EPTA-protseduurile 01/2014 (2,0 Ah - 12,0 Ah).....	.....	3,5 .. 4,6 kg
Soovituslik ümbrisev temperatuur töötamise ajal .....	.....	-18 .. +50 °C
Soovituslik akutuübid .....	.....	M18B2... M18HB12
Soovituslik laadja .....	.....	M12-18 ... ; M1418C6

## Müra/vibratsiooni andmed

Mööteväärtused on kindlaks tehtud vastavalt normile EN 62841.

Seadme A-filtriga hinnatud helirõhutase on tüüpiliselt

Helirõhutase (Määramatus K=3dB(A)).....88,15 dB (A)  
Helivõimsuse tase (Määramatus K=3dB(A)).....99,15 dB (A)

## Kandke kaitseks kõrvaklappe!

Vibratsiooni koguväärtus (kolme suuna vektorsumma) mõõdetud EN 62841 järgi.

Puudu saagimine \*1

Vibratsiooni emissiooni väärtus  $a_{h,B}$  .....20,18 m/s<sup>2</sup>  
Määramatus K= .....1,5 m/s<sup>2</sup>

Puitprusside saagimine \*2

Vibratsiooni emissiooni väärtus  $a_{h,VB}$  .....19,53 m/s<sup>2</sup>  
Määramatus K= .....1,5 m/s<sup>2</sup>

\*1 koos saalehega bimetal, mõõdud 150 x 1,25 mm ja hammaste samm 5 mm

\*2 koos saalehega bimetal, mõõdud 230 x 1,25 mm ja hammaste samm 5 mm

## TÄHELEPANU

Sellel teabelehel toodud vibratsiooni- ja müraemissioon on mõõdetud standardis EN 62841 kirjeldatud standarditud testiga ning seda võib kasutada tööriistade omavaheliseks võrdlemiseks. Testi võib kasutada kokkupuute esialgseks hindamiseks.

Deklareeritud vibratsiooni- ja müratase puudutab tööriista põhikasutust. Kui tööriista kasutatakse muuks otstarbeks, teistsuguste tarvikutega või tööriista hooldatakse halvasti, võivad vibratsioon ja müraemissioon erineda. See võib kokkupuutetaset kogu tööajal oluliselt suurendada.

Vibratsiooni ja müraga kokkupuute hinnangulise taseme juures tuleb arvesse võtta ka aega, kui tööriist on välja lülitatud või töötab, kuid sellega ei tehta tööd. See võib kokkupuutetaset kogu tööaja kohta oluliselt vähendada.

Tehke kindlaks täiendavad ohutusmeetmed operaatori kaitsemiseks vibratsiooni ja/või müra eest, näiteks: hooldage tööriista ja tarvikuid, hoidke käed soojas, vaadake üle töökorraldus.v



**TÄHELEPANU! Kõik selle elektrilise tööriistaga kaasasolevad ohutusnõuded, juhised, joonised ja spetsifikatsioonid tuleb läbi lugeda.** Kõigi alpool loetletud juhiste eiramise tagajärjeks võib olla elektrilöökk, tulekahju ja/või rasked vigastused.



## TIIGERSAAGIDE OHUTUSJUHISED

**Tööde puhul, kus löikeseade võib minna vastu peidetud elektrijuhtmeid, hoidke kinni seadme isoleeritud käepidemetest.**

Kokkupuude pingestatud juhtmega võib pingestada ka löikeseadme metallist osad ning põhjustada elektrilöögi.

**Töö kinnitamiseks stabiilsele platvormile, kasuta klambreid või leia selleks mingi muu praktiline viis.** Hoides tööd käega või vastu keha võib olla ebastabiilne ja võib põhjustada kontrolli kaotust.

## EDASISED OHUTUS- JA TÖÖJUHISED

Kasutada kaitsevarustust. Masinaga töötamisel kanda alati kaitseprille. Kaitseriietusena soovatakse kasutada tolumumaski kaitsekindaid, kinniseid ja libisemisvastase tallaga jalanõusid, kiivrit ja kuulmisteede kaitset.

Töö ajal tekkiv tolm on sageli tervistkahjustav ning ei tohiks sattuda organismi. Kanda sobivat kaitsemaski.

Töödelda ei tohi materjale, millest lähtub oht tervisele (nt asbest).

Palun lülitage seade rakendustööriista blokeerumise korral kohe välja! Ärge lülitage seadet sisse tagasi, kuni rakendustööriist on blokeeritud; seejuures võib kõrge reaktsioonimomendiga tagasilöökk tekkida. Tehke ohutusjuhiseid arvesse võttes kindlaks ja kõrvaldage rakendustööriista blokeerumise põhjus.

Selle võimalikeks põhjusteks võivad olla:

- viltu asetamine töödeldavas toorikus
- töödeldava materjali läbimurdamine
- elektritööriista ülekoormamine

Ärge sisestage jäsemeid töötavasse masinasse.

Rakendustööriist võib kasutamise ajal kuumaks minna.

**TÄHELEPANU!** Põletusohu

- tööriista vahetamisel
- seadme ärapanemisel

Puru ega pilpaid ei tohi eemaldada masina töötamise ajal.

Seina, lae või põranda tööde puhul pidage silmas elektrijuhtmeid, gaasi- ja veetorusid.

Kinnitage toorik kinnipigutusseadise. Kinnitamata toorikud võivad raskeid vigastusi ja kahjustusi põhjustada.

Mõranenud ning deformeerunud saelehti ei tohi kasutada!

Sukeldumisega saagimine on võimalik ainult pehmemate materjalide puhul (puu, kerged seinamaterjalid), kõvemate materjalide (metallide) puhul tuleb saagimiseks puurida saelehe suurusel vastav auk.

Enne kõiki töid masina kallal võtke vahetatava aku välja.

Ärge visake tarvitatud vahetatavaid akusid tulle ega olemprügisse. Milwaukee pakub vanade akude keskkonnahoidlikku käitlust; palun küsige oma erialaselt tarnijalt.

Ärge säilitage vahetatavaid akusid koos metallesemetega (lühiseoht).

Laadimisel olevasse vahetatava aku ühenduskambrisse ei tohi sattuda metallosi (lühiseoht).

Laadige süsteemi 18 V vahetatavaid akusid ainult süsteemi 18 V laadijatega. Ärge laadige nendega teiste süsteemide akusid.

Ärge avage vahetatavaid akusid ega laadijaid ning ladustage neid ainult kuivades ruumides. Kaitske niiskuse eest.

Äärmuslikul koormusel või äärmuslikul temperatuuril võib kahjustatud vahetatavast akust akuvedelik välja voolata. Akuvedelikuga kokkupuutumise korral peske kohe vee ja seebiga. Silma sattumise korral loputage kiiresti põhjalikult vähemalt 10 minutit ning pöörduge viivitamatult arsti poole.

**Hoiautus!** Lühisest põhjustatud tuleohu, vigastuste või toote kahjustuste vältimiseks ärge kaske tööriista, vahetusakut ega laadimisseadet vedelikku ning jälgige, et vedelikke ei tungiks seadmetesse ega akusse. Korrodeeruvad või elektrit juhtivad vedelikud, nagu soolvesi, teatud kemikaalid ja pleegitusained või pleegitusained sisaldavad tooted, võivad põhjustada lühist.

**! HOIATUS!** See seade sisaldab liitiumööppatareid. Kui uus või kasutatud patarei on organismi sattunud või see on alla neelatud, võib see tekitada sisemisi põletusi ja vähem kui 2 tunni pärast surma põhjustada. Pange patareipesa kaas alati kindlalt kinni. Kui see kindlalt ei sulgu, lülitage seade välja, võtke patarei välja ja hoidke seda lastele kättesaamatus kohas. Kui te arvate, et patareid on alla neelatud või organismi sattunud, võtke viivitamatult ühendust arstiga.

## EÜ VASTAVUSDEKLARATSIOON

Kinnitame tootjana ainuisikuliselt vastutades, et jaotises „Tehnilised andmed“ kirjeldatud toode on kooskõlas ELi direktiivide 2011/65/EU (RoHS), 2014/30/EL, 2006/42/EG kõikide asjaomaste eeskirjade ja allpool nimetatud normdokumentidega:

EN 62841-1:2015  
EN 62841-2-11:2016/A1:2020  
EN 55014-1:2017/A11:2020  
EN 55014-2:2015  
EN 62479:2010  
EN 300 328 V2.2.2  
EN 301 489-1 V2.2.3  
EN 301 489-17 V3.2.4  
EN IEC 63000:2018

Winnenden, 2021-08-16



Alexander Krug  
Managing Director



On volitatud koostama tehnilist dokumentatsiooni.



Techtronic Industries GmbH  
Max-Eyth-Straße 10  
71364 Winnenden  
Germany


## KASUTAMINE VASTAVALT OTSTARBELE

Saabelsaag puidu, plasti ja metalli lõikamiseks. Sobib sirg-, kurv- ning siseväljalõigetekks. Lõikab torusid ning mööda tasapinda.

Antud seadet tohib kasutada ainult vastavalt äranäidatud otstarbele.

## KÄITAMISREŽIIMI VALIK

Enne käitamisaržiimi muutmist oodake ära, kuni seade on täielikult seiskunud. Seadistuste muutmiseks vajutage nuppu . Vajutage WLAN-i nuppu , et muuta eelseadistatud väärtusi oma nutitelefoni oleva ONE-KEY äpi kaudu.

Automaatne saepeatus : seiskab sae pärast materjali täielikku saagimist.

## ONE-KEY™

Et selle tööriista ONE-KEY funktsionaalsuse kohta rohkem teada saada, lugege kaasasolevat kiirkäivituse juhendit või külastage meid internetis aadressil [www.milwaukeetool.com/one-key](http://www.milwaukeetool.com/one-key). Te saate ONE-KEY äpi oma nutitelefoni alla laadida App Store'i või Google Play kaudu.

Kui seadme töö saab elektrostaatiliste lahenduste tõttu häiritud, lülitub LED kiiruse näidik välja ning kiirust ei ole enam võimalik reguleerida. Sellisel juhul võtke vahetatav aku ja nõõppatarei välja ning pange uuesti tagasi (vt lk 6 ja 16). Elektrostaatiliste lahenduste tekitatud häired põhjustavad ka bluetoothi side katkemise. Sellisel juhul tuleb bluetoothi side uuesti käitsi luua. Katsetuslemused täidavad meie miinimumnõudeid EN 55014-2 / EN 301489-1 / EN 301489-17 järgi.

## ELEKTRILINE PIDUR

Elektriline pidur hakkab tööle kui päästik on lahti lastud, põhjustades tera peatumist ja lubades sulle jätkata tööd. Üldiselt, saagitera peatub kahe sekundi jooksul. Siiski võivad esineda viivitused päästiku lahti lasemise ja piduri tööle hakkamise vahel. Aeg-ajalt pidur võib üldse mitte peatuda. Kui see ei peatu sageli, saagil on vajalik hooldus volitatud Milwaukee teeninduskeskuses.

Enne saagi eemaldamist toorikust, alati oota tera täieliku peatumiseni.

## AKUD

Pikemat aega mittekasutatud akusid laadige veel enne kasutamist.

Temperatuur üle 50 °C vähendab vahetatava aku töövõimet. Vältige pikemat soojenemist päikese või kütteseadme mõjul.

Hoidke laadija ja vahetatava aku ühenduskontaktid puhtad.

Patreide optimaalse eluea tagamiseks, pärast kasutamist täielikult lae pateride plokk.

Akud tuleks võimalikult pika kasutusea saavutamiseks pärast täislaadimist laadijast välja võtta.

Aku ladustamisel üle 30 päeva:

Ladustage akut kuivas kohas u 27°C juures.

Ladustage akut u 30-50% laetusesisundis.

Laadige aku iga 6 kuu tagant täis.

## AKU KOORMUSKAITSE

Aku ülekoormamisel kõrge voolutarbimisega, blokeerumisel, äkilisel seiskumisel või lühise tekkimisel, vibreerib elektritööriist 2 sekundit ning seejärel lülitub automaatselt välja. Uuesti sisse lülitamiseks tuleb päästik esmalt vabastada ning seejärel uuesti alla suruda. Ülisuurel koormusel võib aku kuumeneda kõrgete temperatuurideni. Sellisel juhul lülitub aku välja.

## LIITIUMIOONAKUDE TRANSPORTIMINE

Liitiumioonakud on allutatud ohtlike ainete transportimisega seonduvatele õigusaktidele.

Nende akude transportimine peab toimuma kohalikest, siseriiklikest ja rahvusvahelistest eeskirjadest ning määrustest kinni pidades.

• Tarbijad tohivad neid akusid edasiste piiranguteta tänaval transportida.

Liitiumioonakude komertstransport ekspedeerimisetevõtete kaudu on allutatud ohtlike ainete transportimisega seonduvatele õigusaktidele. Tarne-ettevalmistusi ja transporti tohivad teostada eranditult vastavalt koolitatud isikud. Kogu protsessi tuleb asjatundlikult jälgida.

Akude transportimisel tuleb järgida järgmisi punkte:

- Tehke kindlaks, et kontaktid on lühiste vältimiseks kaitsitud ja isoleeritud.
- Pöörake tähelepanu sellele, et akupakk ei saaks pakendis nihkuda.
- Kahjustatud või välja voolanud akusid ei tohi kasutada.

Pöörduge edasiste juhiste saamiseks ekspedeerimisetevõtte poole.

## HOOLDUS

Hoidke masina õhutuspilud alati puhtad.

Kasutage ainult Milwaukee tarvikuid ja Milwaukee tagavaraosi. Detailid, mille väljavahetamist pole kirjeldatud, laske välja vahetada Milwaukee klienditeeninduspunkti (vaadake brošüüri garantiit / klienditeeninduste aadressid).

Vajadusel saab nõuda seadme plahvatusjoonise võimsussildil oleva masinatüübi ja kuuekohalise numbril alusel klienditeeninduspunkti või vahetult firmalt Techtronic Industries GmbH, Max-Eyth-Straße 10, 71364 Winnenden, Germany.

## SÜMBOLID



ETTEVAATUST! TÄHELEPANU! OHUD!



Enne kõiki töid masina kallal võtke vahetatav aku välja.



Palun lugege enne käikulaskmist kasutamisyjuhend hoolikalt läbi.



Nõõppatareid ei tohi alla neelata!



Masinaga töötades kandke alati kaitseprille.



Tarvikud - ei kuulu tarne komplekti, soovitatav täiendus on saadaval tarvikute programmis.



Ärge kõrvaldage patareide, elektri- ja elektroonikaseadmete jäätmehäätmetena. Akude, elektri- ja elektroonikaseadmete jäätmehäätmetena. Akude, elektri- ja elektroonikaseadmete jäätmehäätmetena tuleb koguda eraldi.

Akude, akumulaatorite ja valgusallikate jäätmehäätmetena tuleb seadmetest eemaldada.

Küsi oma kohalikus omavalitsuses või jaemüüjal nõuandeid ringlussevõtu ja kogumispunkti kohta.

Olenevalt kohalikest määrustest võib jaemüüjal lasuda kohustus võtta akude, elektri- ja elektroonikaseadmeid vastu tasuta.

Teie panus akude, elektri- ja elektroonikaseadmete jäätmehäätmete korduskasutusse ja ringlussevõtu aitab vähendada nõudlust toorainete järele.

Akud, eriti liitiumakud ning elektri- ja elektroonikaseadmete jäätmehäätmetena, sisaldavad väärtuslikke taaskasutatavaid materjale, mis võivad kahjustada keskkonda ja inimeste tervist, kui neid ei kõrvaldata keskkonnasõbralikul viisil.

Kustutage kõrvaldatavatest seadmetest isiklikud andmed, kui neid seal on.



Käikude arv tühijooksul

Pinge

Alalisvool

Euroopa vastavusmärk

Ühendkuningriigi vastavusmärk

Ukraina vastavusmärk

Euraasia vastavusmärk

ТЕХНИЧЕСКИЕ ДАННЫЕ	АКК. САБЕЛЬНАЯ ПИЛА	M18 ONEFSZ
Серийный номер изделия .....	477908 03	...000001-999999
Макс. глубина резки в:		
Мягкое дерево .....	300 mm	
Стали .....	20 mm	
Алюминий .....	25 mm	
Цветной металл .....	25 mm	
Металлическая труба .....	150 mm	
Частота хода без нагрузки .....	0-3000 min <sup>-1</sup>	
Длина хода .....	32 mm	
Вольтаж аккумулятора .....	18 V	
Версия Bluetooth .....	4.2	
диапазон частот .....	2400 – 2480 MHz	
мощность радиозлучения .....	0 dBm	
Вес согласно процедуре ЕРТА 01/2014 (2,0 Ah - 12,0 Ah) .....	3,5 ... 4,6 kg	
Рекомендованная температура окружающей среды во время работы .....	-18 ... +50 °C	
Рекомендованные типы аккумуляторных блоков .....	M18B2... M18HB12	
Рекомендованные зарядные устройства .....	M12-18 ... ; M1418C6	

#### Информация по шумам/вибрации

Значения замерялись в соответствии со стандартом EN 62841.

Обычное низкочастотное звуковое давление, производимое инструментом, составляет

Уровень звукового давления (Небезопасность K=3dB(A))..... 88,15 dB (A)  
Уровень звуковой мощности (Небезопасность K=3dB(A))..... 99,15 dB (A)

#### Пользуйтесь приспособлениями для защиты слуха.

Общие значения вибрации (векторная сумма трех направлений) определены в соответствии с EN 62841.

Пиление дерева \*1  
Значение вибрационной эмиссии a<sub>h,v</sub> ..... 20,18 m/s<sup>2</sup>  
Небезопасность K= ..... 1,5 m/s<sup>2</sup>

Пиление деревянных балок \*2  
Значение вибрационной эмиссии a<sub>h,vib</sub> ..... 19,53 m/s<sup>2</sup>  
Небезопасность K= ..... 1,5 m/s<sup>2</sup>

\*1 с пыльным полотном bimetal, размер 230 x 1,25 мм, шаг зубьев 5 мм  
\*2 с пыльным полотном bimetal, размер 150 x 1,25 мм, шаг зубьев 5 мм

#### ВНИМАНИЕ

Заявленные значения вибрации и шумового излучения, указанные в настоящем информационном листе, были измерены согласно стандартизированному методу испытания согласно EN 62841 и могут использоваться для сравнения одного инструмента с другим. Они могут применяться для предварительной оценки воздействия на организм человека.

Указанные значения вибрации и шумового излучения действительны для основных областей применения инструмента. Однако если инструмент используется в других областях применения или с другими принадлежностями либо проходит ненадлежащее обслуживание, значения вибрации и шумового излучения могут отличаться. Это может существенно увеличить уровень воздействия на организм на протяжении общего периода работы.

При оценке уровня воздействия вибрации и шумового излучения на организм также необходимо учитывать периоды, когда инструмент выключен, или когда он работает, но фактически не используется для выполнения работы. Это может существенно сократить уровень воздействия на организм на протяжении общего периода работы.

Определите дополнительные меры для защиты оператора от воздействия вибрации и/или шума, такие как обслуживание инструмента и его принадлежностей, сохранение рук в тепле, организация графиков работы.

**ВНИМАНИЕ!** Ознакомьтесь со всеми предупреждениями относительно безопасного использования, инструкциями, иллюстративным материалом и техническими характеристиками, поставляемыми с этим электроинструментом. Несоблюдение всех нижеприведенных инструкций может привести к поражению электрическим током, пожару и/или тяжелым травмам.

#### УКАЗАНИЯ ПО БЕЗОПАСНОСТИ ДЛЯ САБЕЛЬНЫХ ПИЛ

Если Вы выполняете работы, при которых режущий инструмент может зацепить скрытую электропроводку кабель, инструмент следует держать за специально предназначенные для этого изолированные поверхности.

Контакт режущего инструмента с токоведущим проводом может ставить под напряжение металлические части прибора, а также приводить к удару электрическим током.

Используйте струцину или другие целесообразные вспомогательные средства, чтобы закрепить обрабатываемое изделие на устойчивой основе. Если вы держите обрабатываемое изделие в руке или прижимаете его корпусом, оно может сдвинуться, что приведет к потере контроля.

#### ДОПОЛНИТЕЛЬНЫЕ УКАЗАНИЯ ПО БЕЗОПАСНОСТИ И РАБОТЕ

Пользоваться средствами защиты. Работать с инструментом всегда в защитных очках. Рекомендуется спецодежда: пылегазозащитная маска, защитные перчатки, прочная и нескользящая обувь, каска и наушники.

Пыль, возникающая при работе данным инструментом, может нанести вред здоровью. Не следует допускать её попадания в организм. Надевайте противопылевую респиратор.

Запрещается обрабатывать материалы, которые могут нанести вред здоровью (напр., асбест).

При блокировании используемого инструмента немедленно выключить прибор! Не включайте прибор до тех пор, пока используемый инструмент заблокирован, в противном случае может возникнуть отдача с высоким реактивным моментом. Определите и устраните причину блокирования используемого инструмента с учетом указаний по безопасности.

Возможными причинами могут быть:

- перекос заготовки, подлежащей обработке
- разрушение материала, подлежащего обработке
- перегрузка электроинструмента

Не прикасаться к работающему станку.

Используемый инструмент может нагреваться во время применения.

#### ВНИМАНИЕ! Опасность получения ожога

- при смене инструмента
- при укладывании прибора

Не убирайте опилки и обломки при включенном инструменте.

При работе в стенах, потолках или полу следите за тем, чтобы не повредить электрические кабели или водопроводные трубы.

Зафиксируйте вашу заготовку с помощью зажимного приспособления. Незафиксированные заготовки могут привести к тяжелым травмам и повреждениям.

Не используйте треснувшие или погнутые полотна пилы.

Врезание без предварительного высверливания отверстий возможно в мягких материалах (дерево, легких строительных материалах для стен). В более твердых материалах (металле) необходимо сначала просверлить отверстия, соответствующие размеру пыльного полотна.

Выньте аккумулятор из машины перед проведением с ней каких-либо манипуляций.

Не выбрасывайте использованные аккумуляторы вместе с домашним мусором и не сжигайте их. Дистрибьюторы компании Milwaukee предлагают восстановление старых аккумуляторов, чтобы защитить окружающую среду.

Не храните аккумуляторы вместе с металлическими предметами во избежание короткого замыкания.

Не допускается попадания каких-либо металлических предметов в аккумуляторный отсек зарядного устройства во избежание короткого замыкания.

Для зарядки аккумуляторов модели 18 V используйте только зарядным устройством 18 V. Не заряжайте аккумуляторы других систем.

Никогда не вскрывайте аккумуляторы или зарядные устройства и храните их только в сухих помещениях. Следите, чтобы они всегда были сухими.

Аккумуляторная батарея может быть повреждена и дать течь под воздействием чрезмерных температур или повышенной нагрузки. В случае контакта с аккумуляторной кислотой немедленно промойте место контакта мылом и водой. В случае попадания кислоты в глаза промойте глаза в течение 10 минут и немедленно обратитесь за медицинской помощью.

**Предупреждение!** Для предотвращения опасности пожара в результате короткого замыкания, травм и повреждения изделия не опускайте инструмент, сменный аккумулятор или зарядное устройство в жидкости и не допускайте попадания жидкости внутрь устройств или аккумуляторов. Коррозионные и проводящие жидкости, такие как соленый раствор, определенные химикаты, отбеливающие средства или содержащие их продукты, могут привести к короткому замыканию.

**ПРЕДУПРЕЖДЕНИЕ!** Данный прибор содержит в себе один литиевый миниатюрный элемент питания.

Как новый, так и использованный элемент питания может привести к тяжелым внутренним ожогам и смерти в течение менее 2 часов, если он был проглочен или попал внутрь организма иным способом. Всегда следите, чтобы крышка батарейного отсека была закрыта. Если крышка плотно не закрывается, отключите прибор, выньте элемент питания и спрячьте от детей.

При подозрении, что элемент питания был проглочен или попал внутрь организма иным способом, срочно обратитесь к врачу.

#### ДЕКЛАРАЦИЯ СООТВЕТСТВИЯ ЕС

Под собственную ответственность мы как производитель заявляем о том, что описанное в разделе «Технические характеристики» изделие отвечает всем соответствующим требованиям директив 2011/65/ЕС (директива, ограничивающая содержание вредных веществ), 2014/30/ЕС, 2006/42/ЕС и следующих гармонизированных нормативных документов:

EN 62841-1:2015  
EN 62841-2-11:2016/A1:2020  
EN 55014-1:2017/A11:2020  
EN 55014-2:2015  
EN 62479:2010  
EN 300 328 V2.2.2  
EN 301 489-1 V2.2.3  
EN 301 489-17 V3.2.4  
EN IEC 63000:2018

Winnenden, 2021-08-16

*Alexander Krug*

Alexander Krug  
Managing Director



Уполномочен на составление технической документации.

Techtronic Industries GmbH  
Max-Eyth-Straße 10  
71364 Winnenden  
Germany

#### ИСПОЛЬЗОВАНИЕ

Эта сабельная пила пилит дерево, пластик и металл. Она может пилить по кривой и заподлицо с поверхностью.

Не пользуйтесь данным инструментом способом, отличным от указанного для нормального применения.

#### ВЫБОР РЕЖИМА РАБОТЫ

Перед изменением режима работы дождитесь полной остановки устройства. Чтобы изменить настройки, нажать кнопку . Нажать кнопку WLAN , чтобы изменить предварительно заданные значения через приложение ONE-KEY на вашем смартфоне.

Автоматическая остановка пилы останавливает сабельную пилу после того, как материал будет полностью пропилен.

#### ONE-KEY™

Чтобы узнать больше о функциональных возможностях ONE-KEY для этого инструмента, ознакомьтесь с прилагаемым кратким руководством или посетите наш сайт в интернете - [www.milwaukeeool.com/one-key](http://www.milwaukeeool.com/one-key). Приложение ONE-KEY доступно для загрузки на ваш смартфон через App Store или Google Play.

Если устройство повреждено из-за воздействия электростатического разряда, светодиодный индикатор скорости гаснет, и скорость больше не может регулироваться. В этом случае извлеките сменный аккумулятор и ключичный элемент питания и снова вставьте (см. стр. 6 и стр. 16).

Помехи, вызванные воздействием электростатического разряда, также приводят к прерыванию связи Bluetooth. В этом случае соединение Bluetooth должно быть повторно установлено вручную. Результаты испытаний соответствуют нашим минимальным требованиям согласно EN 55014-2 / EN 301489-1 / EN 301489-17.

#### ЭЛЕКТРИЧЕСКИЙ ТОРМОЗ

При отпускании кнопки выключателя электрический тормоз остановит пыльное полотно в пределах примерно 2 секунд. Тем не менее, электрический тормоз может действовать с задержкой. Бывают случаи, когда электрический тормоз не действует. Если электрический тормоз не действует слишком часто, пилу следует отнести в авторизованный сервисный центр компании Milwaukee. Снимайте пилу с обрабатываемого изделия только после полной остановки пыльного полотна.

#### АККУМУЛЯТОР

Перед использованием аккумулятора, который не использовались некоторое время, его необходимо зарядить.

Температура свыше 50°C снижает работоспособность аккумуляторов. Избегайте продолжительного нагрева или прямого солнечного света (риск перегрева).

Контакты зарядного устройства и аккумуляторов должны содержаться в чистоте.

Для обеспечения оптимального срока службы аккумуляторы необходимо полностью заряжать после использования.

Для достижения максимально возможного срока службы аккумуляторы после зарядки следует вынимать из зарядного устройства.

При хранении аккумулятора более 30 дней: Храните аккумулятор при 27°C в сухом месте. Храните аккумулятор с зарядом примерно 30% - 50%. Каждые 6 месяцев аккумулятор следует заряжать.

### ЗАЩИТА АККУМУЛЯТОРА ОТ ПЕРЕГРУЗКИ

При перегрузке аккумулятора из-за очень высокого расхода электроэнергии, напр., предельно высоких крутящих моментов, заклинивания, внезапной остановки или короткого замыкания, электроинструмент гудит 2 секунды и автоматически отключается. Для повторного включения отпустить кнопку выключателя и затем снова включить.

При предельно высоких нагрузках аккумулятор может сильно нагреться. В этом случае аккумулятор отключится."

### ТРАНСПОРТИРОВКА ЛИТИЙ-ИОННЫХ АККУМУЛЯТОРОВ

Литий-ионные аккумуляторы в соответствии с предписаниями закона транспортируются как опасные грузы.

Транспортировка этих аккумуляторов должна осуществляться с соблюдением местных, национальных и международных предписаний и положений.

- Эти аккумуляторы могут перевозиться по улице потребителем без дальнейших обязательств.
- При коммерческой транспортировке литий-ионных аккумуляторов экспедиторскими компаниями действуют положения, касающиеся транспортировки опасных грузов. Подготовка к отправке и транспортировка должны производиться исключительно специально обученными лицами. Весь процесс должен находиться под контролем специалиста.

При транспортировке аккумуляторов необходимо соблюдать следующие пункты:

- Убедитесь, что контакты защищены и изолированы во избежание короткого замыкания.
- Следите за тем, чтобы аккумуляторный блок не соскользнул внутри упаковки.
- Транспортировка поврежденных или протекающих аккумуляторов запрещена.

За дополнительными указаниями обратитесь к своему экспедитору.

### ОБСЛУЖИВАНИЕ

Всегда держите охлаждающие отверстия чистыми.

Пользуйтесь аксессуарами и запасными частями Milwaukee. В случае возникновения необходимости в замене, которая не была описана, обращайтесь в один из сервисных центров по обслуживанию электроинструментов Milwaukee (см. список сервисных организаций).

При необходимости, у сервисной службы или непосредственно у фирмы Techtronic Industries GmbH, Max-Eyth-Strasse 10, 71364, Винненден, Германия, можно запросить сборочный чертеж устройства, сообщив его тип и шестизначный номер, указанный на фирменной табличке.

### СИМВОЛЫ



ВНИМАНИЕ! ПРЕДУПРЕЖДЕНИЕ! ОПАСНОСТЬ!



Выньте аккумулятор из машины перед проведением с ней каких-либо манипуляций.



Пожалуйста, внимательно прочтите инструкцию по использованию перед началом любых операций с инструментом.



Не глотать миниатюрный элемент питания!



При работе с инструментом всегда надевайте защитные очки.



Принадлежности - В стандартную комплектацию не входит, поставляется в качестве дополнительной принадлежности.



Не выбрасывайте отработавшие батареи, электрическое и электронное оборудование вместе с неотсортированными бытовыми отходами.

Отработавшие батареи, а также электрическое и электронное оборудование должны быть утилизированы отдельно.

Отработавшие батареи, аккумуляторы и источники света необходимо предварительно извлечь из оборудования.

За дополнительной информацией по утилизации и сбору обратитесь в местные муниципальные органы или в розничный магазин.

Нормативные требования в некоторых регионах могут обязывать розничные магазины бесплатно утилизировать отработавшее электрическое и электронное оборудование, а также отработавшие батареи.

Повторное использование и переработка отработавших батарей, а также старого электронного и электрического оборудования позволяет снизить потребность в сырьевых ресурсах.

Отработавшие батареи содержат среди прочего литий, а электронное и электрическое оборудование — ценные перерабатываемые материалы. Однако при ненадлежащей утилизации данные компоненты могут нанести вред окружающей среде и здоровью человека.

Удалите конфиденциальную информацию с оборудования при ее наличии.



Число оборотов без нагрузки



Напряжение



Постоянный ток



Европейский знак соответствия



Британский знак соответствия



Украинский знак соответствия

Евразийский знак соответствия

### ТЕХНИЧЕСКИ ДАННИ АККУМУЛЯТОРЕН САБЛЕВИДЕН ТРИОН

M18 ONEFSZ

Производствен номер.....477908 03  
.....000001-999999

Макс. дълбочина на рязане в:

меко дърво .....	300 mm
стомана .....	20 mm
Алуминий .....	25 mm
цветни метали .....	25 mm
метални тръби .....	150 mm
Честота на движение на триончето на празен ход.....	0-3000 min <sup>-1</sup>
Височина на хода.....	32 mm
Напрежение на акумулатора .....	18 V
Версия на Bluetooth .....	4.2
Радиочестотна лента.....	2400 – 2480 MHz
Радиочестотна мощност.....	0 dBm
Тегло съгласно процедурата EPTA 01/2014 (2,0 Ah - 12,0 Ah).....	3,5 ... 4,6 kg
Препоръчителна околна температура при работа.....	-18 ...+50 °C
Препоръчителни видове акумулаторни батерии .....	M18B2... M18HB12
Препоръчителни зарядни устройства .....	M12-18 ... ; M1418C6

### Информация за шума/вибрациите

Измерените стойности са получени съобразно EN 62841.

Нивото на звуково налягане на уреда в db (A) обикновено съставлява

Равнище на звуковото налягане (Несигурност K=3dB(A)).....	88,15 dB (A)
Равнище на мощността на звука (Несигурност K=3dB(A)).....	99,15 dB (A)

### Да се носи предпазно средство за слуха!

Общите стойности на вибрациите (векторна сума на три посоки) са определени в съответствие с EN 62841.

Рязане на дърво \*1

Стойност на емисии на вибрациите a <sub>h,v</sub> .....	20,18 m/s <sup>2</sup>
Несигурност K= .....	1,5 m/s <sup>2</sup>

Рязане на дървени трупи \*2

Стойност на емисии на вибрациите a <sub>h,vib</sub> .....	19,53 m/s <sup>2</sup>
Несигурност K= .....	1,5 m/s <sup>2</sup>

\*1 с режеш лист bimetal, размер 150 x 1,25 mm и стълка на зъбите 5 mm

\*2 с режеш лист bimetal, размер 230 x 1,25 mm и стълка на зъбите 5 mm

### ВНИМАНИЕ

Посочените в настоящия информационен лист нива на вибрации и шумови емисии са измерени в съответствие със стандартизирано изпитване, предоставено в EN 62841, и могат да се използват за сравняване на един инструмент с друг. Те може също така да се използват и за предварителна оценка на излагането на вредни въздействия.

Декларираните нива на вибрации и шумови емисии се отнасят за основните приложения на инструмента. Ако обаче инструментът се използва за други приложения, с други приспособления или не се поддържа добре, нивата на вибрации и шумови емисии могат да са различни. Това може значително да повиши нивото на излагане на вредни въздействия за общата продължителност на работата.

При оценка на нивото на излагане на въздействието на вибрации и шум следва също така да се вземе предвид времето, през което инструментът е изключен или през което е включен, но не се използва. Това може значително да понижи нивото на излагане на вредни въздействия за общата продължителност на работата.

Определете допълнителни мерки за безопасност за защита на оператора от въздействието на вибрациите и/или шума, като например поддръжка на инструмента и приспособленията, поддържането на топлината на ръцете и организацията на работата.

**ВНИМАНИЕ!** Прочетете всички указания за безопасност, инструкции, илюстрации и спецификации за този електроинструмент. Пропуските при спазване на приведените по-долу указания могат да доведат до токов удар, пожар и/или тежки травми.

### ИНСТРУКЦИИ ЗА БЕЗОПАСНОСТ ЗА САБЛЕНИ ТРИОНИ.

Дръжте уреда за изолираните ръкохватки, когато извършвате работи, при които режещият инструмент може да засегне скрити електроинсталационни кабели.

Контактът на режещия инструмент с тоководещ проводник може да предаде напрежението върху метални части на уреда и да доведе до токов удар.

Използвайте резбови стяги или други практически спомогателни средства, за да закрепите детайла върху стабилна основа. Ако детайлът се държи с ръка или подира с тяло, то той може да се измести и това да доведе до загуба на контрол.

### ДОПЪЛНИТЕЛНИ УКАЗАНИЯ ЗА РАБОТА И БЕЗОПАСНОСТ

Да се използва предпазни средства. При работа с машината винаги носете предпазни очила. Препоръчват се защитно облекло и прахозащитна маска, защитни ръкавици, здрави и нехлъзгащи се обувки, каска и предпазни средства за слуха.

Прахът, който се образува при работа, често е вреден за здравето и не бива да попада в тялото. Да се носи подходяща прахозащитна маска.

Не е разрешена обработката на материали, които представляват опасност за здравето (напр. азбест).

Ако използваният инструмент блокира, изключете веднага уреда! Не включвайте уреда отново, докато използваният инструмент е блокиран; това би могло да доведе до откат с висока реактивна сила. Открийте и отстранете причината за блокирането на използвания инструмент имайки в предвид инструкциите за безопасност.

Възможните причини за това могат да бъдат:

- Заклинване в обработваната част
- Пробиване на материала
- Пренатоварване на електрическия инструмент

Не бъркайте в машината, докато тя работи.

Използваният инструмент може да загрее по време на употреба.

**ВНИМАНИЕ!** Опасност от изгаряния

- при смяна на инструмента
- при оставяне на уреда

Стружки или отчупени парчета да не се отстраняват, докато машина работи.

При работа в стени, тавани или подове внимавайте за кабели,

газопроводи и водопроводи.

Закрепете обработваната част с устройство за захващане. Незакрепени части за обработка могат да причинят сериозни наранявания и материални щети.

Да не се използват напукани режещи листове или такива, които са се деформирали!

Рязане с потъване на триона е възможно само при по-меки материали (дърво, леки строителни материали за стени), а при по-твърди материали (метали) трябва да се направи голям отвор съобразно режещия лост.

Преди започване на каквито е да е работи по машината извадете акумулатора.

Не извървяйте изхабените акумулатори в огъня или в при битовите отпадъци. Milwaukee предлага екологосъобразно събиране на старите акумулатори; моля попитайте Вашия специализиран търговец.

Не съхранявайте акумулаторите заедно с метални предмети (опасност от късо съединение).

В гнездото за акумулатори на зарядните устройства не бива да попадат метални части (опасност от късо съединение).

Акумулатори от системата 18 V да се зареждат само със зарядни устройства от системата 18 V laden. Да не се зареждат акумулатори от други системи.

Не отваряйте акумулатори и зарядни устройства и ги съхранявайте само в сухи помещения. Газете ги от влага.

При екстремно натоварване или екстремна температура от повредени акумулатори може да изтече батерийна течност. При допир с такава течност веднага измиете с вода и сапун. При контакт с очите веднага изплаквайте старателно най-малко 10 минути и незабавно потърсете лекар.

**Предупреждение!** За да избегнете опасността от пожар, предизвикана от късо съединение, както и нараняванията и повредите на продукта, не потапяйте инструмента, сменяемата акумулаторна батерия или зарядното устройство в течности и се погрижете в уредите и акумулаторните батерии да не попадат течности. Течностите, предизвикващи корозия или провеждащи електричество, като солена вода, определени химикали, изобелващи вещества или продукти, съдържащи изобелващи вещества, могат да предизвикат късо съединение.

**▲ ПРЕДУПРЕЖДЕНИЕ!** Устройството съдържа литиева плоска батерия. Новата или използвана батерия може да причини тежки вътрешни изгаряния и да доведе до смърт в рамките на по-малко от 2 часа, ако бъде погълната или попадне в тялото. Винаги обезопасявайте капака на отделението за батерията. Ако той не се затваря добре, изключете устройството, свалете батерията и я дръжте далеч от деца. Ако смятате, че батериите са били погълнати или са попаднали в тялото, незабавно потърсете лекарска помощ.

## ДЕКЛАРАЦИЯ ЗА СЪОТВЕТСТВИЕ НА ЕО

В качеството си на производител декларирам на собствена отговорност, че продуктът, описан в „Технически данни“, отговаря на всички съответстващи разпоредби на Директиви 2011/65/EC (RoHS), 2014/30/EC, 2006/42/EO и на следните хармонизирани нормативни документи:

EN 62841-1:2015  
EN 62841-2-11:2016/A1:2020  
EN 55014-1:2017/A11:2020

EN 55014-2:2015  
EN 62479:2010  
EN 300 328 V2.2.2  
EN 301 489-1 V2.2.3  
EN 301 489-17 V3.2.4  
EN IEC 63000:2018

Winnenden, 2021-08-16

*Alexander Krug*

Alexander Krug  
Managing Director



Упълномощен за съставяне на техническата документация


Techtronic Industries GmbH  
Max-Eyth-Straße 10  
71364 Winnenden  
Germany

## ИЗПОЛЗВАНЕ ПО ПРЕДНАЗНАЧЕНИЕ

Саблевидният трион реже дърво, пластмаса и метал. Той реже по права и по крива линия, прави вътрешни изрези. Той реже тръби и разделя повърхности подравнено.

Този уред може да се използва по предназначение само както е посочено.

## ИЗБОР НА РЕЖИМ НА РАБОТА

Изчакайте уредът да дойде в пълен покой, преди да превключите режима на работа. За да промените настройките, натиснете бутона . Натиснете Wi-Fi бутона за да промените настройките по подразбиране чрез приложението ONE-KEY на вашия смартфон.

Автоматично спиране на трион : спира буталния трион, след като материалът е напълно изрязан.

## ONE-KEY™

За повече информация относно функцията ONE-KEY на този инструмент прочетете приложеното ръководство за бърз старт или ни посетете в интернет на адрес [www.milwaukeeetool.com/one-key](http://www.milwaukeeetool.com/one-key). За да изтеглите ONE-KEY приложението на Вашия смартфон, посетете app store или google play.

Ако работата на уреда се нарушава от електростатични разряди, светодиодният индикатор на скоростта изгасва и скоростта вече не може да бъде регулирана. В такъв случай свалете сменяемата акумулаторна батерия и галваничния елемент, и ги поставете отново (виж страница 6 и страница 16).

Смуценията, причинени от електростатични разряди, водят също и до прекъсване на Bluetooth комуникацията. В такъв случай Bluetooth връзката трябва да се възстанови ръчно.

Резултатите от изпитванията отговарят на нашите минимални изисквания съгласно EN 55014-2 / EN 301489-1 / EN 301489-17.

## ЕЛЕКТРИЧЕСКА СПИРАЧКА

При пускане на бутона на превключвателя, режещата лента бива спирана за около 2 секунди от електрическата спирачка. Електрическата спирачка може да действа и със забавяне. Понякога електрическата спирачка не действа. Ако се случва често, електрическата спирачка да не действа, машината за рязане трябва да бъде занесена за проверка в оторизиран сервис на Milwaukee. Машината за рязане се вади от обработвания детайл едва след спиране на режещата лента.

## АКУМУЛАТОРИ

Акумулатори, които не са ползвани по-дълго време, преди употреба да се дозаредят.

Температура над 50°C намалява мощността на акумулатора. Да се избягва по-продължително нагряване на слънце или от отопление.

Поддържайте чисти присъединителните контакти на зарядното устройство и на акумулатора.

С цел оптимална продължителност на живот след употреба батериите трябва да бъдат заредени напълно

За възможно по-дълга продължителност на живот батериите трябва да се изваждат от уреда след зареждане.

При съхранение на батериите за повече от 30 дни: съхранявайте батерията при прил. 27°C и на сухо място. Съхранявайте батерията при 30 до 50 % от заряда. Зареждайте батерията на всеки 6 месеца.

## ЗАЩИТА ОТ ПРЕТОВАРВАНЕ НА БАТЕРИЯТА

При претоварване на акумулатора поради много висока консумация на ток, напр. много високи въртящи моменти, закливане, внезапен стоп или късо съединение, електрическият инструмент бръмчи 2 секунди и самостоятелно се изключва.

За ново включване освободете бутона за включване и отново го включете.

При извънредни натоварвания акумулаторът може да се нагрее силно. В този случай акумулаторът изключва.

## ПРЕВОЗ НА ЛИТИЕВО-ЙОННИ БАТЕРИИ

Литиево-йонните батерии са предмет на законовите разпоредби за превоз на опасни товари.

Превозът на тези батерии трябва да се извършва в съответствие с местните, националните и международните разпоредби и регламенти.

- Потребителите могат да превозват тези батерии по пътя без допълнителни изисквания.
- Превозът на литиево-йонни батерии от транспортни компании е предмет на законовите разпоредби за превоз на опасни товари. Подготовката на превоза и самият превоз трябва да се извършват само от обучени лица. Целият процес трябва да е под професионален надзор.

Спазвайте следните изисквания при превоз на батерии:

- Уверете се, че контактите са защитени и изолирани, за да се избегне късо съединение.
- Уверете се, че няма опасност от разместване на батерията в опаковката.
- Не превозвайте повредени батерии или такива с течове.

Обърнете се към Вашата транспортна компания за допълнителни инструкции.

## ПОДДРЪЖКА

Вентилационните шлицы на машината да се поддържат винаги чисти.

Да се използват само аксесоари на Milwaukee и резервни части на Milwaukee. Елементи, чията подмяна не е описана, да се дадат за подмяна в сервис на Milwaukee (вижте брошурата "Гаранция и адреси на сервиси").

При необходимост можете да поискате схема на елементите на уреда при посочване на обозначение на машината и шестцифрения номер на табелката за технически данни от Вашия сервис или директно на Techtronic Industries GmbH, Max-Eyth-Straße 10, 71364 Winnenden, Германия.

## СИМВОЛИ



ВНИМАНИЕ! ПРЕДУПРЕЖДЕНИЕ! ОПАСНОСТ



Преди започване на каквито е да е работи по машината извадете акумулатора.



Преди пускане на уреда в действие моля прочетете внимателно инструкцията за използване.



Не погълчайте плоската батерия!



При работа с машината винаги носете предпазни очила.



Аксесоари - Не се съдържат в обема на доставката, препоръчвано допълнение от програмата за аксесоари.



Отпадъците от батерии, отпадъците от електрическо и електронно оборудване не трябва да се извървят заедно с битовите отпадъци. Отпадъците от батерии, отпадъците от електрическо и електронно оборудване трябва да се събират и извървят отделно.

Преди извървянето отстранявайте от уредите отпадъците от батерии, отпадъците от акумулатори и лампите.

Информирайте се от местните служби или от своя специализиран търговец относно фирмите за рециклиране и местата за събиране на отпадъци. В зависимост от местните разпоредби, търговците на дребно могат са задължени да приемат безплатно върнатите обратно отпадъци от батерии и от електрическо и електронно оборудване.

Дайте своя принос за намаляването на нуждите от суровини чрез повторната употреба и рециклирането на Вашите отпадъци от батерии и отпадъци от електрическо и електронно оборудване.

Отпадъците от батерии (най-вече литиево-йонните батерии) и отпадъците от електрическо и електронно оборудване съдържат ценни рециклиращи се материали, които могат да повлияят отрицателно на околната среда и на Вашето здраве, ако не се извървят по екологосъобразен начин. Преди извървянето като отпадък изтрийте от Вашия употребяван уред евентуално наличните в него лични данни.



Честота на движение на триончето на празен ход



Напрежение



Постоянен ток



Европейски знак за съответствие



Британски знак за съответствие



Украински знак за съответствие

Евро-азиатски знак за съответствие

DATE TEHNICE	FERĂSTRĂU SABIE CU ACUMULATOR	M18 ONEFSZ
Numerul producției.....		477908 03 ...000001-999999
Adâncimea max. de tăiere:		
Lemn moale.....		300 mm
Oțel.....		20 mm
Aluminiu.....		25 mm
Metal neferos.....		25 mm
Teavă metalică.....		150 mm
Cursa în gol prima treaptă de putere.....		0-3000 min <sup>-1</sup>
Lungimi de cursă.....		32 mm
Greutate acumulator.....		18 V
Versiune Bluetooth.....		4.2
Banda de frecvențe.....		2400 – 2480 MHz
Puterea de radiofrecvență.....		0 dBm
Greutatea conform „EPTA procedure 01/2014” (2,0 Ah - 12,0 Ah).....		3,5 .. 4,6 kg
Temperatura ambiantă recomandată la efectuarea lucrărilor.....		-18...+50 °C
Accumulatori recomandați.....		M18B2... M18HB12
Încărcătoare recomandate.....		M12-18 ... ; M1418C6

#### Informație privind zgomotul/vibrațiile

Valori măsurate determinate conform EN 62841.

Valoarea reală A a nivelului presiunii sonore a sculei este :

Nivelul presiunii sonore (Nesiguranță K=3dB(A)).....88,15 dB (A)

Nivelul sunetului (Nesiguranță K=3dB(A)).....99,15 dB (A)

#### Purtați căști de protecție

Valorile totale de oscilație (suma vectorială pe trei direcții) determinate conform normei EN 62841.

Tăiere de lemn \*1

Valoarea emisiei de oscilații a<sub>h,B</sub>.....20,18 m/s<sup>2</sup>

Nesiguranță K=.....1,5 m/s<sup>2</sup>

Tăierea grinzilor de lemn \*2

Valoarea emisiei de oscilații a<sub>h,VB</sub>.....19,53 m/s<sup>2</sup>

Nesiguranță K=.....1,5 m/s<sup>2</sup>

\*1 cu lame bimetal pentru ferăstrău mărimea 150 x 1,25 mm și dențite (nr. dinți/tol) 5 mm

\*2 cu lame bimetal pentru ferăstrău mărimea 230 x 1,25 mm și dențite (nr. dinți/tol) 5 mm

#### AVERTISMENT

Nivelul vibrației și emisiei de zgomot indicat în această fișă informativă a fost măsurat în conformitate cu o metodă standard de testare specificată în EN 62841 și se poate utiliza pentru a compara dispozitivele între ele. Acesta se poate utiliza și într-o evaluare preliminară a expunerii.

Nivelul declarat al vibrației și emisiei sonore reprezintă principalele aplicații ale dispozitivului. Cu toate acestea, dacă dispozitivul este utilizat pentru aplicații diferite, cu accesorii diferite sau întreținute necorespunzător, emisia de vibrații și zgomote poate diferi. Acest lucru poate crește semnificativ nivelul expunerii pe întreaga perioadă de lucru.

O estimare a nivelului de expunere la vibrații și zgomot ar trebui să țină cont și de momentele în care dispozitivul este oprit sau când funcționează, dar nu realizează de fapt nicio lucrare. Acest lucru poate reduce semnificativ nivelul expunerii pe întreaga perioadă de lucru.

Identificați măsuri de siguranță suplimentare pentru a proteja operatorul de efectele vibrațiilor și/sau zgomotului, cum ar fi: întreținerea dispozitivului și a accesoriilor, menținerea caldă a mâinilor, organizarea modelelor de lucru.

**AVERTISMENT** A se citi toate avertismentele, instrucțiunile, ilustrațiile și specificațiile privind siguranța furnizate cu această unealtă electrică. Nerespectarea tuturor instrucțiunilor listate mai jos poate cauza șocuri electrice, incendii și/sau vătămări corporale grave.

#### INDICAȚII DE SIGURANȚĂ PENTRU TĂIEREA CU FERĂSTRĂIA SABIE

**Țineți aparatul de mână izolate când executați lucrări la care scula tăietoare poate nimeri peste conductori electrici ascunși.**

Intrarea în contact a sculei tăietoare cu o linie electrică prin care circulă curent poate pune sub tensiune și componente metalice ale aparatului și să ducă la electrocutare.

**Folosiți menghine sau alte mijloace ajutătoare practice în vederea fixării piesei de prelucrat pe un suport stabil.** Dacă piesa este ținută cu mâna sau rezemată prin contraacțiune cu corpul, ea poate aluneca din poziția de lucru, pierzându-se controlul asupra ei.

#### INSTRUCȚIUNI SUPLIMENTARE DE SIGURANȚĂ ȘI DE LUCRU

Folosiți echipament de protecție . Purtați întotdeauna ochelari de protecție când lucrați cu mașina . Se recomandă utilizarea hainelor de protecție ca de ex. Măști contra prafului, mănuși de protecție, încălțăminte stabilă nealunecoasă, cască și aparatoare de urechi.

Praful care apare când se lucrează cu această sculă poate fi dăunător sănătății și prin urmare nu trebuie să atingă corpul. Purtați o mască de protecție corespunzătoare împotriva prafului.

Nu se admite prelucrarea unui material care poate pune în pericol sănătatea operatorului (de exemplu azbestul).

La blocarea sculei demontabile vă rugăm să deconectați imediat aparatul! Nu conectați aparatul atâta timp cât scula demontabilă este blocată; dacă o faceți, s-ar putea să se producă un recul cu un cuplu mare de reacție. Găsiți și remediați cauza de blocare a sculei demontabile respectând indicațiile pentru siguranță.

Cauzele posibile pot fi:

- Agățarea în piesa de prelucrat
- Străpungerea materialului de prelucrat
- Suprasolicitarea sculei electrice

Nu atingeți părțile mașinii aflate în rotație.

Scula introdusă poate să devină fierbinte în timpul utilizării.

**AVERTISMENT!** Pericol de arsuri

- la schimbarea sculei
- la depunerea aparatului

Rumegușul și spanul nu trebuie îndepărtate în timpul funcționării mașinii.

Când se lucrează pe pereți, tavan sau dușumea, aveți grijă să evitați cablurile electrice și țevile de gaz sau de apă.

Asigurați piesa de prelucrat cu un dispozitiv de fixare. Piese neasigurate pot provoca accidentări grave și stricăciuni.

Nu folosiți lame de ferăstrău crăpate sau deformate.

Tăieri de adâncime fără efectuarea prealabilă a unei găuri sunt posibile cu materiale moi (lemn, materiale ușoare de construcție pentru pereți). Materialele mai dure (metale) trebuie întâi să fie perforate cu o gaură care corespunde dimensiunii lamei ferăstrăului.

Îndepărtați acumulatorul înainte de începerea lucrului pe mașina

Nu aruncați acumulatorii uzați la containerul de reziduri menajere și nu îi ardeți. Milwaukee Distributors se oferă să recupereze acumulatorii vechi pentru protecția mediului înconjurător.

Nu depozitați acumulatorul împreună cu obiecte metalice (risc de scurtcircuit)

Nu se permite introducerea nici unei piese metalice în locașul pentru acumulator al încărcătorului. (risc de scurtcircuit)

Folosiți numai încărcătoare System 18 V pentru încărcarea acumulatorilor System 18 V. Nu folosiți acumulatori din alte sisteme.

Nu deschideți niciodată acumulatorii și încărcătoarele și pastrați-le numai în încăperi uscate. Pastrați-le întotdeauna uscate .

Acidul se poate scurge din acumulatorii deteriorați la încălziri sau temperaturi extreme. În caz de contact cu acidul din acumulator, spălați imediat cu apă și săpun. În caz de contact cu ochii, clătiți cu atenție timp de cel puțin 10 minute și apelați imediat la îngrijire medicală.

**Avertizare!** Pentru a reduce pericolul unui incendiu i evitarea r/niurilor sau deteriorarea produsului în urma unui scurtcircuit nu imersai scula, acumulatorul de schimb sau încrc/torul în lichide i asigurai-v/ s/ nu p/ trund/ lichide în aparate i acumulatori. Lichidele corosive sau cu conductibilitate, precum apa s/rat/, anumite substane chimice i în/ibitori sau produse ce conin în/ibitori, pot provoca un scurtcircuit.

**AVERTISMENT** Acest dispozitiv conține o baterie tip nasture cu ioni de litiu. O baterie nouă sau consumată poate cauza arsuri interne severe și poate conduce la deces în mai puțin de două ore, în cazul în care este ingerată sau pătrunde în organism. Întotdeauna asigurați capacul bateriei. Dacă nu se include în siguranță, întrerupeți utilizarea dispozitivului, îndepărtați bateriile și nu le lăsați la îndemâna copiilor. În cazul în care aveți suspiciunea că bateria a fost înghițită sau a pătruns în corp, consultați imediat un medic.

#### DECLARAȚIE DE CONFORMITATE CE

În calitate de producător declarăm pe propria răspundere că produsul descris la "Date tehnice" este în concordanță cu toate prevederile legale relevante ale Directivelor 2011/65/UE (RoHS), 2014/30/UE, 2006/42/CE, precum și ale următoarelor norme armonizate:

EN 62841-1:2015  
EN 62841-2-11:2016/A1:2020  
EN 55014-1:2017/A11:2020  
EN 55014-2:2015  
EN 62479:2010  
EN 300 328 V2.2.2  
EN 301 489-1 V2.2.3  
EN 301 489-17 V3.2.4  
EN IEC 63000:2018

Winnenden, 2021-08-16



Alexander Krug  
Managing Director

Împuternicit să elaboreze documentația tehnică.



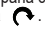
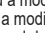
Techtronic Industries GmbH  
Max-Eyth-Straße 10  
71364 Winnenden  
Germany

#### CONDIȚII DE UTILIZARE SPECIFICATE

Acest ferăstrău taie lemn, materiale plastice și metale . El poate tăia linii drepte, curbe și efectua tăieturi interne. Taie țevi și poate tăia razant la o suprafață.

Nu utilizați acest produs în alt mod decât cel stabilit pentru utilizare normală.

#### SELECTAREA MODULUI DE FUNCȚIONARE

Înainte de modificarea modului de funcționare trebuie să așteptați până ce mașina s-a oprit complet. Pentru a modifica reglajele apăsați tasta . Apăsați tasta WLAN  pentru a modifica valorile presetate prin ONE-KEY App de pe smartphone-ul dvs.

Oprire automată a ferăstrăului : oprește ferăstrăul alternativ după ce materialul a fost complet tăiat.

#### ONE-KEY™

Pentru a afla mai multe despre funcționalitatea ONE-KEY a acestui instrument citiți instrucțiunile de start rapid incluse sau vizitați-ne pe internet la [www.milwaukeetool.com/one-key](http://www.milwaukeetool.com/one-key). Aplicația ONE-KEY App puteți să o descărcați pe smartphone-ul dvs. prin App Store sau Google Play.

Dacă aparatul se defectează din cauza descărcărilor electrostatice, indicatorul de viteză cu LED se stinge și viteza nu se mai poate regla. În acest caz scoateți acumulatorul reîncărcabil și celula tip buton și introduceți-le la loc (vezi pagina 6 și pagina 16). Defecțiunile cauzate de descărcările electrostatice provoacă inclusiv întreruperea comunicării prin Bluetooth. În acest caz conexiunea Bluetooth trebuie restabilită manual.

Rezultatele verificării îndeplinesc standardele noastre minime conform EN 55014-2 / EN 301489-1 / EN 301489-17.

#### FRÂNA ELECTRICĂ

Dacă se eliberează butonul întrerupător, pâna de ferăstrău se oprește într-un interval de cca. 2 secunde datorită frânei electrice. Dar frâna electrică poate avea și un efect întârziat. În mod ocazional, frâna electrică poate să nu aibă efect. Dacă se întâmplă în mod frecvent ca frâna electrică să nu acționeze, ferăstrăul trebuie dus la un service Milwaukee autorizat.

Ferăstrăul se scoate din piesă de-abia după ce pâna de ferăstrău s-a oprit complet.

#### ACUMULATORI

Accumulatorii care nu au fost utilizați o perioadă de timp trebuie reîncărcați înainte de utilizare.

Temperatura mai mare de 50°C (122°F) reduce performanța acumulatorului. Evitați expunerea prelungită la căldură sau radiație solară (risc de supraîncălzire)

Contactele încărcătoarelor și acumulatorilor trebuie păstrate curate.

Pentru o durabilitate optimă, acumulatorii trebuie reîncărcați complet după folosire.

Pentru o durată de viață cât mai lungă, acumulatorii ar trebui scoși din încărcător după încărcare.

La depozitarea acumulatorilor mai mult de 30 zile: Acumulatorii se depozitează la cca. 27°C și la loc uscat. Acumulatorii se depozitează la nivelul de încărcare de cca. 30%-50%. Acumulatorii se încarcă din nou la fiecare 6 luni.

#### PROTECȚIE SUPRAÎNCĂRCARE ACUMULATOR

În caz de supraîncărcare a acumulatorului prin consum foarte ridicat de curent, de ex. cupluri mecanice extrem de mari, înțepenirea, întrerupere bruscă sau scurtcircuit, unealta electrică produce timp de 2 secunde un

згомот њфундат, дупа care се decuplează de la sine. Њ vederea recuplării, дај drumul бутонului de comutare, iar apoi efectuați o nouă cuplare. Њ condiții de încărcări extreme, acumulatorul се poate încăлзи peste măsură. Њ acest caz, acumulatorul се decuplează.

## TRANSPORTUL ACUMULATORILOR CU IONI DE LITIU

Акумулатори ку иони де литиу кад суб инциденца prescripțiilor legale pentru transportul de mărfuri periculoase.

Transportul acestor acumulatori trebuie să се efectueze cu respectarea prescripțiilor și reglementărilor pe plan local, național și internațional.

- Consumatorilor ле есте permis transportul rutier nerestricționat al acestui tip de acumulatorи.
- Transportul comercial al acumulatorilor ку иони де литиу prin intermediul firmelor де expediiție și transport este supus reglementărilor transportului де mărfuri periculoase. Pregătirile pentru expediiție și transportul au voie să fie efectuate numai де către personal instruit corespunzător. Њтрегил процес trebuie asistat ън mod competent.

Următoarele puncte trebuie avute ън vedere la transportul acumulatorilor:

- Pentru а се evita scurtcircuite, asigurați-vă де faptul că sunt protejate și izolate contactele.
- Aveți grijă ca pachetul де acumulatorи să ну поатă aluneca ън altă poziție ън interiorul ambalajului său.
- Este interzis transportarea unor acumulatorи deteriorați sau care pierd lichid.

Pentru indicații suplimentare adresați-vă firmei де expediiție și transport ку care colabораți.

## INTRETINERE

Fantele де aerisire ale mașinii trebuie să fie menținute libere tot timpul

Utilizați numai accesorii și piese де schimb Milwaukee. Dacă unele din componente care ну au fost descrise trebuie ънlocuite , vă rugăm contactați unul din agenții де service Milwaukee (vezi lista noastră pentru service / garanție)

Dacă este necesar, puteți solicita де la centrul dvs. де service pentru clienți sau direct la Techtronic Industries GmbH, Max-Eyth-Straße 10, 71364 Winnenden, Germania un desen descompus al aparatului prin indicarea tipului де aparat și а numărului ку șase cifre де пе табlița indicatoare.

## SIMBOLURI



PERICOLI! AVERTIZARE! ATENȚIE!



Њndepărtați acumulatorul ъnainte де începerea lucrului пе mașina



Vă rugăm citiți ку atenție instrucțiunile ъnainte де pornirea mașinii



Ну ънghițiți bateria tip nasture!



Purtați ъntotdeauna ochelari де protecție când utilizați mașina.



Accesoriu - Ну este inclus ън echipamentul standard , disponibil ca accesoriu



Deșeurile де батареи, deșeurile де echipamente electrice și electronice ну се elimină ca deșeuri municipale nesortate.

Deșeurile де батареи și deșeurile де echipamente electrice și electronice trebuie colectate separat. Deșeurile де батареи, deșeurile де acumulatorи și materialele де iluminat trebuie ъndepărtate din echipament. Informați-vă де la autoritățile locale sau де la comercianții acreditați ън legătură cu centrele де reciclare și де colectare. Њн conformitate ку reglementările locale retailerii pot fi obligați să colecteze gratuit bateriile uzate și deșeurile де echipamente electrice și electronice.

Contribuția dumneavoastră la reutilizarea și reciclarea deșeurilor де батареи și а deșeurilor де echipamente electrice și electronice contribuie la reducerea cererii де materii prime.

Deșeurile де батареи și deșeurile де echipamente electrice și electronice conțin materialele reciclabile valoroase, care pot avea un impact negativ asupra mediului și sănătății umane, ън cazul ън care ну sunt eliminate ън mod ecologic.

Њн cazul ън care пе echipamente au fost ънregistrate date ку caracter personal, acestea trebuie șterse ъnainte де eliminarea echipamentelor ca deșeuri.

Cursa ън gol

$n_n$

$v$

$v$

$v$

Tensiune

Curent continuu



Marcă де conformitate europeană



Marcă де conformitate britanică



Marcă де conformitate ucraineană



Marcă де conformitate eurasiatică

## ТЕХНИЧКИ ПОДАТОЦИ

## САБЈЕСТА ПИЛА НА БАТЕРИИ

## M18 ONEFSZ

Производен број.....	477908 03
.....	...000001-999999
Максимална длабочина на сечење во:	
Мeko дрво.....	300 mm
Челик.....	20 mm
Алуминиум.....	25 mm
Не рѓачки метал.....	25 mm
Метална цевка.....	150 mm
Ударен момент при не оптовареност (на слободно).....	0-3000 min <sup>-1</sup>
Должина на удар.....	32 mm
Напон на батерија.....	18 V
Верзија блутут.....	4.2
фреквентен опсег.....	2400 – 2480 MHz
моќност на предавателот.....	0 dBm
Тежина според ЕПТА-процедурата 01/2014 (2,0 Ah - 12,0 Ah) ....	3,5 ... 4,6 kg
Препорачана температура на околината при работа.....	-18...+50 °C
Препорачани типови на акумулаторски батерии.....	M18B2... M18HB12
Препорачани полначи.....	M12-18 ... ; M1418C6

## Информација за бучавата/вибрациите

Измерените вредности се одредени согласно стандардот EN 62841.

Типично очекувано ниво на звучен притисок на алатот е:

Ниво на звучен притисок. (Несигурност K=3dB(A)).....88,15 dB (A)  
Ниво на јачина на звук. (Несигурност K=3dB(A)).....99,15 dB (A)

## Носте штитник за уши.

Вкупни вибрациски вредности (векторски збир на трите насоки) пресметани согласно EN 62841.

Дрво \*1

Вибрациска емисиона вредност  $a_{h,v}$ .....20,18 m/s<sup>2</sup>  
Несигурност K=.....1,5 m/s<sup>2</sup>

Пилење на дрвени греди \*2

Вибрациска емисиона вредност  $a_{h,vib}$ .....19,53 m/s<sup>2</sup>  
Несигурност K=.....1,5 m/s<sup>2</sup>

\*1 со лист bimetal, големина 150 x 19 x 1,2 mm и растојание помеѓу забите 4,2 mm

\*2 со лист bimetal, големина 230 x 1,25 mm и растојание помеѓу забите 5 mm

## ПРЕДУПРЕДУВАЊЕ

Нивото на вибрации и емисија на бучава дадени во овој информативен лист се измерени во согласност со стандардизирани метод на тестирање даден во EN 62841 и може да се користат за споредување на еден електричен алат со друг. Тие исто така може да се користат при првична проценка на изложеност.

Наведеното ниво на вибрации и емисија на бучава ја претставува главната примена на алатот. Сепак ако алатот се користи за поинакви примени, со поинаков прибор или лошо се одржува, вибрациите и емисијата на бучава може да се разликуваат. Тоа може значително да го зголеми нивото на изложеност преку целиот работен период.

Проценка на нивото на изложеност на вибрации и бучава треба исто така да се земе предвид кога е исклучен алатот или кога е вклучен, но не врши никаква работа. Тоа може значително да го намали нивото на изложеност преку целиот работен период.

Увртете дополнителни безбедносни мерки за да се заштити операторот од ефектите на вибрациите и/или бучавата како на пр.: одржувајте го алатот и приборот, рацете нека ви бидат топли, организација на работните шеми.



**ПРЕДУПРЕДУВАЊЕ!** Прочитајте ги сите безбедносни упатства, инструкции, илустрации и спецификации за овој електричен алат. Недоследно почитување на подолу наведените упатства може да предизвика електричен удар, пожар и/или сериозни повреди.



## НАПОМЕНИ ЗА БЕЗБЕДНОСТ ЗА РЕЦИПРО ПИЛИ

Држете го електричниот алат за издадените површини при изведување на операции при кои алатот за сечење можат да дојдат во контакт со скриени жици.

Контакт со жица под напон исто така ќе направи проводници од металните делови и оној кој ракува со алатот ќе доживее струен удар.

Употребувајте спајалка за навртување или други практични помошни средства, за да го зацврстите делот што се обработува на стабилна подлога. Со држење на делот што се обработува со рака или негово притискање со телото, делот може да се лизне, а тоа може да доведе до губење на контролата.

## ОСТАНАТИ БЕЗБЕДНОСНИ И РАБОТНИ УПАТСТВА

Употребувајте заштитна опрема. При работа со машината постојано носете заштитни очила. Се препорачува заштитна облека како: маска за заштита од прашина, заштитни ракавици, цврсти чевли што не се лизгаат, кацига и заштита за уши.

Пршината која се создава при користење на овој алат може да биде штетна по здравјето. Не ја вдишувајте. Носете соодветна заштитна маска.

Не смеат да бидат обработувани материјали кои што можат да го загрозат здравјето (на пр. азбест).

Доколку употребуваното орудие се блокира, молиме веднаш да се исклучи апаратот! Не го вклучувајте апаратот повторно додека употребуваното орудие е блокирано; притоа би можело да дојде до повратен удар со висок момент на реакција. Испитајте и отстранете ја причината за блокирањето на употребеното орудие имајќи ги во предвид напомените за безбедност.

Можни причини би можеле да се:

- Закантување во парчето кое што се обработува
- Кршење поради продирање на материјалот кој што се обработува
- Преоптоварување на електричното орудие



Не фаќајте во машината кога работи.

Употребеното орудие за време на примената може да стане многу жешко.

#### ПРЕДУПРЕДУВАЊЕ! Опасност од изгоретини

- при менување на орудието
- при ставање на апаратот на страна

Прашината и струготините не смеат да се одстрануваат додека е машината работи.

Кога работите на сидови, таван или под внимавajte да ги избегнете електричните, гасните и водоводни инсталации.

Обезбедете го предметот кој што го обработувате со направа за напон. Необезбедени парчиња кои што се обработуваат можат да предизвикаат тешки повреди и оштетувања.

Не користете скршени или изобличени сечила.

Убодни резови без претходно дупчење се можни кај мекни материјали (дрво, лесни градежни материјали за сидови). Кај поврсти материјали (метали) мора првин да се направи дупка која ќе одговара на димензијата на пилата.

Извадете го батерискиот склоп пред отпочнување на каков и да е зафат врз машината.

Не ги оставајте искористените батерии во домашниот отпад и не горете ги. Дистрибутерите на Милвоки ги собираат старите батерии, со што ја штитат нашата околина.

Не ги чувајте батериите заедно со метални предмети (ризик од краток спој).

Метални парчиња не смеат да навлезат во депот за полнење на батерија (ризик од краток спој).

Користете исклучиво Систем 18 V за полнење на батерии од 18 V систем. Не користете батерии од друг систем.

Не ги отворајте насилно батериите и полначите, и чувајте ги само на суво место. Чувајте ги постојано суви.

Киселината од оштетените батериите може да истече при екстреман напон или температури. Доколку дојдете во контакт со исатата, измијте се веднаш со сапун и вода. Во случај на контакт со очите плакнете ги убаво најмалку 10 минути и задолжително одете на лекар.

**Предупредување!** За да избегнете опасноста од пожар, од наранувања или од оштетување на производот, коишто ги содржава краток спој, не ја потопувајте во течност алатката, заменливата батерија или полначот и пазете во уредите и во батериите да не проникнуваат течности. Корозивни или електроспроводливи течности, како солена вода, одредени хемикалии, избелувачки препарати или производи кои содржат избелувачки супстанции, можат да предизвикаат краток спој.

**▲ ПРЕДУПРЕДУВАЊЕ!** Овој уред содржи литиумска ќелиска батерија.

Новата или употребената батерија може да предизвика сериозни внатрешни изгореници и да доведе до смрт во што малку како два часа, ако се проголта или влегува во телото. Секогаш прицврстете го капакот на батеријата.

Ако тоа не се затвора безбедно, престанете да го користите уредот, отстранете ги батериите и чувајте го подалеку од деца. Ако мислите дека батериите се проголтани или се влезени во телото, веднаш побарајте медицинска помош.

#### ЕК-ДЕКЛАРАЦИЈА ЗА СООБРАЗНОСТ

Како производител, изјавуваме под целосна одговорност дека „Техничките податоци“ подолу го опишуваат производот со сите релевантни одредби од регулативите 2011/65/EU (RoHS), 2014/30/EU, 2006/42/EU и се усогласени со следниве хармонизирани регулаторни документи:

EN 62841-1:2015  
EN 62841-2-11:2016/A1:2020  
EN 55014-1:2017/A11:2020  
EN 55014-2:2015  
EN 62479:2010  
EN 300 328 V2.2.2  
EN 301 489-1 V2.2.3

EN 301 489-17 V3.2.4  
EN IEC 63000:2018

Winnenden, 2021-08-16

Alexander Krug  
Managing Director



Ополномоштен за составување на техничката документација.

Technic Industries GmbH  
Max-Eyth-Straße 10  
71364 Winnenden  
Germany

#### СПЕЦИФИЦИРАНИ УСЛОВИ НА УПОТРЕБА

Оваа сабјаста пила сече дрво пластика и метал. Може да сече прави линии, кривини и внатрешни отсечоци. Сече цевки и може да сече паралелно со површината.

Не го користете овој производ на било кој друг начин освен пропишаниот за нормална употреба.

#### ИЗБОР НА НАЧИН НА РАБОТА

При промената на начинот на работа да се почека уредот комплетно да престане со работа. За да се променат подесувањата, да се притисне копчето . Да се притисне WLAN-копчето за да се променат претходно зачуваваните вредности преку ONE-KEY апликацијата на Вашиот смартфон.

Автоматско запирање на пилата ја запира повратната пила откако материјалот е целосно исечен.

#### ONE-KEY™

За да дознаете повеќе за функционирањето на ONE-KEY на оваа алатка, Ве молиме прочитајте го упатството за брзо стартување или посетете на интернет на: [www.milwaukeeetool.com/one-key](http://www.milwaukeeetool.com/one-key). Апликацијата ONE-KEY може да ја симнете на Вашиот смартфон преку App Store или Google Play.

Кога уредот е нарушен од електростатско празнење, тогаш LED индикаторот за промена на брзината се гасне и брзината не може повеќе да се регулира. Во тој случај извадете ја батеријата или копчетата батерија и повторно ставете ја (види страна 6 и страна 16).

Дефектите предизвикани како последица електростатски празнења водат кон прекин на bluetooth комуникацијата. Во тој случај, контактот со bluetooth мора повторно да биде воспоставен мануелно. Резултатите од испитувањата ги исполнуваат нашите минимални барања согласно EN 55014-2 / EN 301489-1 / EN 301489-17.

#### ЕЛЕКТРИЧНА КОЧНИЦА

При ослободување на притискачот од прекинувачот дискот за сечење се запира во рок од 2 секунди преку електричната кочница. Но, електричната кочница може да дејствува и одложено. Понекогаш електричната кочница не е делотворна. Доколку електричната кочница не дејствува почесто, во тој случај пилата мора да биде донесена до овластен сервис-центар на Milwaukee. Дури по постигнување на состојба на мирување на дискот за сечење извлечете ја пилата од обработуваниот материјал.

#### БАТЕРИИ

Подолг период неупотребувани комплети батерии да се наполнат пред употреба.

Температура повисока од 50°C (122°F) го намалуваат траењето на батериите. Избегнувајте подолго изложување на батериите на високи температури или сонце (ризик од прегревање).

Клемите на полначот и батериите мора да бидат чисти.

За оптимален работен век, по употреба батериите мора да бидат целосно наполнети.

За можно подолг век на траење, апаратите после нивното полнење треба да бидат извадени од апаратот за полнење на батериите.

Во случај на складирање на батеријата подолго од 30 дена: Акумулаторот да се чува на температура од приближно 27°C и на суво место. Акумулаторот да се складира на приближно 30%-50% од состојбата на наполнетост. Акумулаторот повторно да се наполни на секои 6 месеци.

#### ЗАШТИТА ОД ПРЕОПТЕРЕТУВАЊЕ НА БАТЕРИЈАТА

При преоптоварување на батеријата со многу висока потрошувачка на струја, на пример екстремно високи вртежни моменти, заглавување, ненадејно запирање или краток спој, електро-уредот бучи 2 секунди, а потоа самостојно се гаси.

За повторно вклучување ослободете го прекинувачот и вклучете повторно.

Во случај на екстремни оптоварувања батеријата може да загрее многу. Во таков случај батеријата исклучува.

#### ТРАНСПОРТ НА ЛИТИУМ-ЈОНСКИ БАТЕРИИ

Литиум-јонските батерии подлежат на законските одредби за транспорт на опасни материи.

Транспортот на овие батерии мора да се врши согласно локалните, националните и меѓународните прописи и одредби.

- Потрошувачите на овие батерии може да вршат непречен патен транспорт на истите.
- Комерцијалниот транспорт на литиум-јонски батерии од страна на шпедитерски претпријатија подлежат на одредбите за транспорт на опасни материи. Подготовките за шпедиција и транспорт треба да ги вршат исклучиво соодветно обучени лица. Целокупниот процес треба да биде стручно надгледуван.

При транспортот на батерии треба да се внимава на следното:

- Осигурајте се дека контактите се заштитени и изолирани, а сето тоа со цел да се избегнат кратки споеви.
- Внимавајте да не дојде до преместување на батериите во нивната амбалажа.
- Забранет е транспорт на оштетени или протечени литиум-јонски батерии.

За автоматшоки инструкции обратете се до Вашето шпедитерско претпријатие.

#### ОДРЖУВАЊЕ

Вентилационските отвори на машината мора да бидат комплетно отворени постојано.

Користете само Milwaukee додатоци и резервни делови. Доколку некои од компонентите кои не се опишани треба да бидат заменети, Ве молиме контактирајте ги сервисните агенти на Milwaukee (консултирајте ја листата на адреси).

При потреба може да се побара експозиционен цртеж на апаратот со наведување на машинскиот тип и шестоцифрениот број на табличката со учиниот или во Вашата корисничка служба или директно кај Technic Industries GmbH, Max-Eyth-Straße 10, 71364 Winnenden, Германија.

#### СИМБОЛИ



ВНИМАНИЕ! ПРЕДУПРЕДУВАЊЕ! ОПАСНОСТ!



Извадете го батерискиот склоп пред отпочнување на каков и да е зафат врз машината.



Ве молиме пред да ја стартувате машината обрнете внимание на упатствата за употреба.

Не проголтајте ја ќелиската батерија!

Секогаш при користење на машината носете ракавици.

Дополнителна опрема - Не е вклучена во стандардната, а достапна е како додаток.

Не отстранувајте ги отпадните батерии, отпадната електрична и електронска опрема како несоортиран комунален отпад. Отпадните батерии и отпадната електрична и електронска опрема мора да се собираат посебно.

Отпадните батерии, отпадните акумулатори и отпадните извори на светлина треба да се отстранат од опремата.

Проверете кај вашиот локален орган или продавач за совети за рециклирање и место за собирање. Во зависност од локалните регулативи, трговците на мало може да се обврзани бесплатно да ги преземаат искористените батерии, како и отпадната електрична и електронска опрема.

Вашиот придонес за повторна употреба и рециклирање на отпадните батерии и отпадната електрична и електронска опрема помага да се намали побарувачката на суровини.

Отпадните батерии, посебно оние што содржат литиум, и отпадната електрична и електронска опрема содржат вредни материјали за рециклирање, кои може негативно да влијаат на животната средина и на здравјето на луѓето доколку не се отстранат на еколошки компатибилен начин. Избришете ги личните податоци од отпадната опрема, доколку ги има.

Ударен момент при не оптовареност (на слободно)

Волти

Истосмерна струја

Европска ознака за сообразност

Британска ознака за сообразност

Украинска ознака за сообразност

Евроазиска ознака за сообразност

ТЕХНІЧНІ ХАРАКТЕРИСТИКИ АКУМУЛЯТОРНА ШАБЕЛЬНА ПИЛКА	M18 ONEFSZ
Номер виробу.....	477908 03 ...000001-999999
Глибина різання макс. в:	
М'яка деревина.....	300 mm
Сталь.....	20 mm
Алюміній.....	25 mm
Кольоровий метал.....	25 mm
Металева труба.....	150 mm
Кількість обертів холостого ходу.....	0-3000 min <sup>-1</sup>
Висота ходу.....	32 mm
Напруга змінної акумуляторної батареї.....	18 V
Версія Bluetooth.....	4.2
діапазон частот.....	2400 – 2480 MHz
потужність радіовипромінювання.....	0 dBm
Вага згідно з процедурою EPTA 01/2014 (2,0 Ah - 12,0 Ah).....	3,5 ... 4,6 kg
Рекомендована температура довкілля під час роботи.....	-18...+50 °C
Рекомендовані типи акумуляторів.....	M18B2... M18HB12
Рекомендовані зарядні пристрої.....	M12-18 ... ; M1418C6

### Шум / інформація про вібрацію

Вимірні значення визначені згідно з EN 62841.

Рівень шуму „А“ приладу становить в типовому випадку:

Рівень звукового тиску (похибка K = 3 дБ(A)).....88, 15 dB (A)

Рівень звукової потужності (похибка K = 3 дБ(A)).....99, 15 dB (A)

### Використовувати засоби захисту органів слуху!

Сумарні значення вібрації (векторна сума трьох напрямків), встановлені згідно з EN 62841.

Пилання ДСП \*1

Значення вібрації a<sub>h,vb</sub>.....20, 18 m/s<sup>2</sup>

похибка K = .....1, 5 m/s<sup>2</sup>

Пилання дерев'яних балок \*2

Значення вібрації a<sub>h,vb</sub>.....19, 53 m/s<sup>2</sup>

похибка K = .....1, 5 m/s<sup>2</sup>

\*1 з пилковим полотном bimetal, розмір 150 x 1,25 мм, крок зубів 5 мм

\*2 з пилковим полотном bimetal, розмір 230 x 1,25 мм, крок зубів 5 мм

### ПОПЕРЕДЖЕННЯ!

Заявлені значення шумового випромінювання, вказані в цьому інформаційному аркуші, було виміряно відповідно до стандартизованого випробування згідно з EN 62841 та можуть використовуватися для порівняння одного інструмента з іншим. Вони також можуть використовуватися для попередньої оцінки рівня впливу на організм.

Вказані значення вібрації та шумового випромінювання дійсні для основних областей застосування інструмента. Якщо інструмент використовується в інших областях застосування чи з іншим приладдям або не проходить належне обслуговування, значення вібрації та шумового випромінювання можуть відрізнятись. Це може суттєво збільшити рівень впливу на організм протягом загального періоду роботи.

Під час оцінки рівня впливу вібрації та шумового випромінювання на організм також необхідно враховувати періоди, коли інструмент вимкнено, чи коли він працює, але фактично не використовується для виконання роботи. Це може суттєво знизити рівень впливу на організм протягом загального періоду роботи.

Визначте додаткові заходи для захисту оператора від впливу вібрації та/або шуму, наприклад, обслуговування інструмента та його приладд, зберігання рук у теплі, організація графіків роботи.

**УВАГА!** Ознайомитися з усіма попередженнями з безпечного використання, інструкціями, ілюстративним матеріалом та технічними характеристиками, які надаються з цим електричним інструментом. Недотримання всіх наведених нижче інструкцій може призвести до ураження електричним струмом, пожежі та/або важких травм.

### ВКАЗІВКИ З ТЕХНІКИ БЕЗПЕКИ ДЛЯ ШАБЕЛЬНИХ ПИЛОК

Під час виконання робіт тримайте прилад за ізольовані поверхні рукояток, якщо вставний інструмент може натрапити на приховані електричні лінії. Контакт з лінією під напругою може призвести до появи напруги в металевих частинах приладу та до ураження електричним струмом.

Закріпити і зафіксувати заготовку в лещатах або іншим способом на стабільній основі. Якщо ви утримуєте заготовку тільки рукою або притискаєте до тіла, вона залишається рухомою, що може призвести до втрати контролю.

### ДОДАТКОВІ ІНСТРУКЦІЇ З ТЕХНІКИ БЕЗПЕКИ ТА ЕКСПЛУАТАЦІЇ

Використовуйте індивідуальні засоби захисту. Під час роботи з машиною завжди носити захисні окуляри. Радимо використовувати захисний одяг, як наприклад маску для захисту від пилу, захисні рукавиці, міцне та нековзне взуття, каску та засоби захисту органів слуху.

Пил, що утворюється під час роботи, часто буває шкідливим для здоров'я; він не повинен потрапляти в організм. Носити відповідну маску для захисту від пилу.

Не можна обробляти матеріали, небезпечні для здоров'я (наприклад, азбест).

При блокуванні вставного інструменту негайно вимкнути прилад! Не вмикайте прилад, якщо вставний інструмент заблокований; при цьому може виникати віддача з високим зворотнім моментом. Визначити та усунути причину блокування вставного інструменту з урахуванням вказівок з техніки безпеки.

Можливі причини:

- Перекіс в заготовці, що обробляється
- Пробивання оброблюваного матеріалу

- Перевантаження електроінструмента

Частини тіла не повинні потрапляти в машину, коли вона працює.

Вставний інструмент може нагріватися під час роботи.

### ПОПЕРЕДЖЕННЯ! Небезпека опіків

- при заміні інструменту
- при відкладанні приладу

Не можна видаляти стружку або уламки, коли машина працює.

Під час роботи на стінах, стелях або підлозі звертати увагу на електричні кабелі, газові та водопровідні лінії.

Зафіксувати заготовку в затисковому пристрої. Незакріплені заготовки можуть привести до тяжких травм та пошкоджень.

Пилкові полотна з тріщинами або деформовані диски використовувати не можна!

Пилання з зануренням можливе тільки для м'яких матеріалів (деревина, легкі будівельні матеріали для стін), для твердших матеріалів (метали) необхідно використовувати отвір, який відповідає пилковому полотну.

Перед будь-якими роботами на машині виїняти змінну акумуляторну батарею

Відпрацьовані змінні акумуляторні батареї не можна кидати у вогонь або викидати з побутовими відходами. Milwaukee пропонує утилізацію старих змінних акумуляторних батарей, безпечно для довкілля; зверніться до свого дилера.

Не зберігати змінні акумуляторні батареї разом з металевими предметами (небезпека короткого замикання).

В гніздо зарядного пристрою, яке призначене для встановлення змінної акумуляторної батареї, не повинні потрапляти металеві деталі (небезпека короткого замикання).

Змінні акумуляторні батареї системи 18 V заряджати лише зарядними пристроями системи 18 V. Не заряджати акумуляторні батареї інших систем.

Не відкривати змінні акумуляторні батареї і зарядні пристрої та зберігати їх лише в сухих приміщеннях. Березти від вологі.

При екстремальному навантаженні або при екстремальній температурі з пошкодженою змінною акумуляторною батареєю може витікати електриліт. При потрапленні електриліту на шкіру його негайно необхідно змити водою з милом. При потрапленні в очі їх необхідно негайно ретельно промити, щонайменше 10 хвилин, та негайно звернутися до лікаря.

**Попередження!** Для запобігання небезпеці пожежі в результаті короткого замикання, травмам і пошкодженню виробів не занурюйте інструмент, змінний акумулятор або зарядний пристрій у рідину і не допускайте потрапляння рідини всередину організму іншим шляхом. Корозійні і струмопровідні рідини, такі як солоний розчин, певні хімікати, вибіговальні засоби або продукти, що їх містять, можуть призвести до короткого замикання.

**ПОПЕРЕДЖЕННЯ!** Цей прилад містить в собі один літєвий мініаторний елемент живлення.

Як новий, так і використаний елемент живлення може призвести до важких внутрішніх опіків і смерті протягом менше 2 годин, якщо він був проковтнутий або потрапив всередину організму іншим шляхом. Кришка батарейного відділення завжди має бути закритою.

Якщо кришка щільно не закривається, відключіть прилад, вийміть елемент живлення і сховайте від дітей.

При підозрі, що елемент живлення проковтнутий або потрапив всередину організму іншим шляхом, терміново зверніться до лікаря.

### ДЕКЛАРАЦІЯ ЄС ПРО ВІДПОВІДНІСТЬ

**Як виробник, ми заявляємо на власну відповідальність, що виріб, описаний у "Технічних даних", відповідає всім застосованим положенням директив 2011/65/EU (RoHS), 2014/30/EU, 2006/42/EG, та наступним гармонізованим нормативним документам:**

EN 62841-1:2015  
EN 62841-2-11:2016/A1:2020  
EN 55014-1:2017/A11:2020

EN 55014-2:2015  
EN 62479:2010  
EN 300 328 V2.2.2  
EN 301 489-1 V2.2.3  
EN 301 489-17 V3.2.4  
EN IEC 63000:2018

Winnenden, 2021-08-16

  
Alexander Krug  
Managing Director



Уповноважений із складання технічної документації.



Techtronic Industries GmbH  
Max-Eyth-Straße 10  
71364 Winnenden  
Germany

### ВИКОРИСТАННЯ ЗА ПРИЗНАЧЕННЯМ

Шабельна пила різє деревину, пластик і метал. Вона різє рівні лінії, криві та внутрішні розрізи. Вона різє труби та відрізає урівень з поверхнею.

Цей прилад можна використовувати тільки за призначенням так, як вказано в цьому документі.

### ВИБІР РЕЖИМУ РОБОТИ

Перед зміною режиму роботи дочекайтесь повної зупинки пристрою. Щоб змінити налаштування, натиснути кнопку . Натиснути кнопку WLAN , щоб змінити попередньо задані значення через додаток ONE-KEY на вашому смартфоні.

Автоматична зупинка пилки : зупиняє поршневу пилку після повного розпилювання матеріалу.

### ONE-KEY™

Щоб дізнатися більше про функціональні можливості ONE-KEY для цього інструменту, ознайомтеся з короткою інструкцією, яка додається, або відвідайте нашу сторінку в інтернеті - [www.milwaukeeool.com/one-key](http://www.milwaukeeool.com/one-key). Додаток ONE-KEY доступний для завантаження на ваш смартфон через App Store або Google Play.

Якщо прилад зазнав ушкоджень від електростатичного розряду, світлодіодний індикатор швидкості гасне, і швидкість більше не може регулюватися. У цьому разі слід виїняти змінний акумулятор і кнопковий елемент живлення і знову вставити (див. стор. 6 і стор. 16). Порушення, викликані впливом електростатичного розряду, також призводять до переривання зв'язку Bluetooth. У цьому випадку з'єднання Bluetooth має бути знову встановлене вручну. Результати випробувань відповідають нашим мінімальним вимогам згідно з EN 55014-2 / EN 301489-1 / EN 301489-17.

### ЕЛЕКТРИЧНЕ ГАЛЬМО

При відпусканні натискного вимикача пилкове полотно зупиняється електричним гальмо на протязі прибл. 2 секунд. Однак електричне гальмо може діяти також з запізненням. Інколи електричне гальмо не діє. Якщо електричне гальмо часто не вмикається, пилку необхідно відправити в авторизований сервісний центр Milwaukee. Витягувати пилку з заготовки тільки після зупинки пилкового полотна.

### АКУМУЛЯТОРНІ БАТАРЕЇ

Змінну акумуляторну батарею, що не використовувалася тривалий час, перед використанням необхідно підзарядити.

Температура понад 50 °C зменшує потужність змінної акумуляторної батареї. Уникати тривалого нагрівання сонячними променями або системою обігріву.

З'єднувальні контакти зарядного пристрою та змінної акумуляторної батареї повинні бути чистими.

Для забезпечення оптимального строку експлуатації акумуляторної батареї після використання необхідно повністю зарядити.

Для забезпечення максимально можливого терміну експлуатації акумуляторні батареї після зарядки необхідно виймати з зарядного пристрою.

При зберіганні акумуляторної батареї понад 30 днів: Зберігати акумуляторну батарею при температурі приблизно 27 °C в сухому місці. Зберігати акумуляторну батарею в стані зарядки приблизно 30-50 %. Кожні 6 місяців знову заряджати акумуляторну батарею.

#### ЗАХИСТ АКУМУЛЯТОРНОЇ БАТАРЕЇ ВІД ПЕРЕВАНТАЖЕННЯ

При перевантаженні акумуляторної батареї внаслідок занадто великого споживання струму, наприклад, при занадто високому крутильному моменту, заклинованні пилогового диску, раптової зупинці або короткому замкненню, електроінструмент зупиняється на 2 секунди та самостійно вимикається. Для повторного увімкнення відпустити кнопку вимикача і знов увімкнути. При надзвичайному навантаженні акумуляторна батарея може дуже сильно нагрітися. В такому випадку акумуляторна батарея вимикається.

#### ТРАНСПОРТУВАННЯ ЛІТІЙ-ІОННИХ АКУМУЛЯТОРНИХ БАТАРЕЙ

Літій-іонні акумуляторні батареї підпадають під законоположення про перевезення небезпечних вантажів.

Транспортування таких акумуляторних батарей повинно відбуватися із дотриманням місцевих, національних та міжнародних приписів та положень.

- споживачі можуть без проблем транспортувати ці акумуляторні батареї по вулиці.
- Комерційне транспортування літій-іонних акумуляторних батарей експедиторськими компаніями підпадає під положення про транспортування небезпечних вантажів. Підготовку до відправлення та транспортування можуть здійснювати виключно особи, які пройшли відповідне навчання. Весь процес повинні контролювати кваліфіковані фахівці.
- При транспортуванні акумуляторних батарей необхідно дотримуватись зазначених далі пунктів:
- Переконайтеся в тому, що контакти захищені та ізольовані, щоб запобігти короткому замиканню.
- Слідкуйте за тим, щоб акумуляторна батарея не переміщувалася всередині упаковки.
- Пошкоджені акумуляторні батареї, або акумуляторні батареї, що потекли, не можна транспортувати. Для отримання подальших вказівок звертайтеся до своєї експедиторської компанії.

#### ОБСЛУГОВУВАННЯ

Завжди підтримувати чистоту вентиляційних отворів.

Використовувати тільки комплектуючі та запчастини Milwaukee. Деталі, заміна яких не описується, замінювати тільки в відділі обслуговування клієнтів Milwaukee (зверніть увагу на брошуру „Гарантія / адреси сервісних центрів“).

У разі необхідності можна запросити креслення з зображенням вузлів машини в перспективному вигляді, для цього потрібно звернутися в ваш відділ обслуговування клієнтів або безпосередньо в Techtronic Industries GmbH, Max-Eyth-Strasse 10, 71364 Winnenden, Німеччина, та вказати тип машини та шестизначний номер на фірмовій табличці з даними машини.

#### СИМВОЛИ



УВАГА! ПОПЕРЕДЖЕННЯ! НЕБЕЗПЕЧНО!



Перед будь-якими роботами на машині вийняти змінну акумуляторну батарею



Уважно прочитайте інструкцію з експлуатації перед введенням приладу в дію.



Не ковтати мініатюрний елемент живлення!



Під час роботи з машиною завжди носити захисні окуляри.



Комплектуючі - не входять в обсяг постачання, рекомендовані доповнення з програми комплектуючих.



Не утилізуйте відпрацьовані батарейки й відпрацьоване електричне та електронне обладнання разом з змішаними побутовими відходами. Відпрацьовані батарейки, відпрацьоване електричне та електронне обладнання необхідно збирати окремо. Відпрацьовані батарейки, відпрацьовані акумулятори, відпрацьовані джерела світла повинні бути вилучені з обладнання. Зверніться до місцевих органів влади або роздрібно продавця за порадою щодо утилізації та пункту збору. Відповідно до місцевих постанов, роздрібні продавці можуть бути зобов'язані безкоштовно забирати назад відпрацьовані акумулятори, електричне та електронне обладнання. Ваш внесок до повторного вживання та переробки відпрацьованих батарейок і відпрацьованого електричного та електронного обладнання допомагає зменшити попит на сировину. Відпрацьовані батарейки, зокрема, що містять літій, і відпрацьоване електричне та електронне обладнання містять цінні матеріали, які можуть бути перероблені, та мають негативний вплив на довкілля й здоров'я людей, якщо не будуть утилізовані у безпечний для довкілля спосіб. Видаліть особисті дані з відпрацьованого обладнання, якщо такі є.



Споживана потужність



Напруга



Постійний струм



Європейський знак відповідності



Британський знак відповідності



Український знак відповідності



Євразійський знак відповідності

#### زومرلا



تنبيه! تحذيرا! خطر!



قم بإزالة حزمة البطارية قبل البدء في أي أعمال على الجهاز.



يرجى قراءة التعليمات بعناية قبل بدء تشغيل الجهاز.



لا تبلع البطاريات الخلية الزرا



ارتد دائما نظارات الوقياية عند استخدام الجهاز.



الملحق - ليس مدرجا كمعدة قياسية، متوفر كملحق.



يحظر التخلص من البطاريات القديمة والأجهزة الكهربائية والإلكترونية القديمة سوياً مع القمامة المنزلية. يجب جمع البطاريات القديمة والأجهزة الكهربائية والإلكترونية القديمة والتخلص منها بشكل منفصل. أنزع البطاريات القديمة والمراكم القديمة والمصابيح من الأجهزة قبل التخلص منها. الرجاء الاستفسار لدى الجهات الرسمية في المكان أو لدى التجار المتخصصين عن مواقع إعادة الاستغلال ومواقع الجمع. وفقاً للوائح المحلية، قد يُطلب من تجار التجزئة استعادة البطاريات القديمة والأجهزة الكهربائية والإلكترونية القديمة مجاناً. ساهم في الحد من الحاجة إلى المواد الخام عن طريق إعادة استخدام البطاريات القديمة والأجهزة الكهربائية والإلكترونية القديمة الخاصة بك وإعادة تدويرها. تحتوي البطاريات القديمة (و على الأخص بطاريات أيون الليثيوم) والأجهزة الكهربائية والإلكترونية القديمة على مواد قيمة وقابلة لإعادة التدوير يمكن أن يكون لها آثار سلبية على البيئة وصحتك في حالة عدم التخلص منها على نحو يمتثل مع البيئة. قبل التخلص قم بمحو البيانات الشخصية التي قد تكون على جهازك القديم.



معدل الحركة النظامية مع عدم وجود أحمال



الجهد الكهربائي



التيار المستمر



علامة التوافق الأوروبية



علامة التوافق البريطانية



علامة التوافق الأوكرانية



علامة التوافق الأوروبية الآسيوية

البياض الفنية	مقبق دوأر	M18 ONEFSZ
إنتاج عدد:	...٢٧7908 02	...000001-999999
أقصى عمقٍ لقطع: بالبوصة		
معدني اللين ..	300 mm	
الألمنيوم ..	20 mm	
معدن غير حديدي ..	25 mm	
النأبيي المعدنية ..	150 mm	
أقصى سرع ة تون ووجود حمل ..	0-3000 min <sup>-1</sup>	
أطوال الحركة النظامية ..	32 mm	
فرطلية البطارية ..	18 V	
إصدار - البليووث ..	4.2	
التردد نطاق ..	2400 – 2480 MHz	
السلطة قال ..	0 dBm	
الوزن و <span>قفا لنهج</span> EPTA01/2014 رقم (2,0 Ah - 12,0 Ah) ..	3,5 ... 4,6 kg	
درجة حرارة الجو المحيط الم <span>نصوح</span> بها عند العمل ..	0 °C... +50 °C	
طر <span>از</span> البطارية الم <span>نصوح</span> به ..	M18B2... M18HB12	
أجهزة الشحن الم <span>نصوح</span> بها ..	M12-18 ... ؛ M1418C6	

**معلومات الضوضاء/النبْذات**

القيم التي تم قياسها محددة وفقا للمعايير الأوروبية EN 62841

مستويات ضوضاء الجهاز ، ترجيح أ بشكل نمونجي كالتالي:

مستوى ضغط الصوت (الارتباب في القياس = 3 ديسيبل (A))

مستوى شدة الصوت (الارتباب في القياس = 3 ديسيبل (A)).....

**ارتد والقيات الأثن!**

قيم النبْذات الإجمالي (مجموع الكميات الموجية في المحاور الثلاثة) محددة وفقا للمعايير الأوروبية EN 62841

نشر الخشب الصناعي \*1

الأواح للتغطية قيمة انبعاث النبْذات (a<sub>B,g</sub>).....

الارتباب في القياس ..

قطع الأواح الخشبية 2\*

قطع الأواح الخشبية قيمة انبعاث النبْذات (a<sub>N,Wb</sub>).....

الارتباب في القياس ..

\*1 مع شفرة للمنشار bimetal ، بحجم 150x1,25 مم وتقسيم لأسنان الشفرة 5 م

\*4 مع شفرة للمنشار bimetal ، بحجم 230x1,25 مم وتقسيم لأسنان الشفرة 5 م

### تحذير!

تم قياس مستوى الاهتزاز وانبعاث الضوضاء الوارد في ورقة المعلومات هذه، وفقاً لاختبار قياسي محدد في المواصفة EN 62841، ويمكن استخدامه لمقارنة آلة مع أخرى.. كما يمكن استخدام ذلك أيضاً في اجراء تقييم أولي للتعرض.

يتمثل مستوى الاهتزاز وانبعاث الضوضاء المعلمان عنه الاستخدامات الأساسية للآلة ومع ذلك، إذا استُعملت الآلة في استخدامات مختلفة، أو بملحقات مختلفة، أو تم صيانتها على نحو سيئ، فقد يختلف مستوى الاهتزاز وانبعاث الضوضاء ، وهذا قد يزيد -إلى حد كبير- من مستوى التعرض خلال مدة العمل الإجمالية.

عند تقييم مستوى التعرض للاهتزاز والضوضاء، ينبغي أيضاً أن يوضع في الاعتبار فترات إطفاء الآلة أو تشغيلها دون أن تقوم بأي وظيفة فعليًا. فهذا قد يقلل -إلى حد كبير- من مستوى التعرض خلال مدة العمل الإجمالية.

تعرف على تدابير السلامة الإضافية؛ لحماية المشغل من تأثيرات الاهتزاز أو الضوضاء أو كليهما، مثل: صيانة الآلة وملحقاتها، والحفاظ على دفاء اليندين، وتنظيم نماذج العمل.

**⚠️ تحذير اقرأ جميع تحذيرات الأمان والتعليمات والصور والمواصفات الواردة مع هذه المعدة الكهربائية.** المخالفة في اتباع التعليمات المذكورة أسفله قد يكون نتيجتها صدمة كهربائية، حريق و / أو إصابة بالغة.

<b><span>⚠️</span> تعليمات أمان للمناشير السوفية المعدنية</b>
<b>يجب الإمساك بالآلة الكهربائية من خلال أسطح القبض المعزولة وذلك عند القيام بعملية ما حيث قد تلامس أداة التنبيت أسلاك مخفية.</b> <p>تنسبب ملامسة أحد ملحقات آلة القطع بيملك كهربيي "موصلة" في جعل الأجزاء المعدنية المكشوفة بالآلة الكهربائية "موصلة" كهربياً مما يجعل المشغل عرضة لصدمة كهربائية.</p>
<b>استخدم مشابهك أو طريقة عملية أخرى لتأمين ودعم قطعة العمل على منصبة ثابتة.</b> <p>يؤدي تثبيت قطعة العمل باستخدام البيدين أو عكس اتجاه الجسم إلى عدم ثباتها وبالتالي فقدان القدرة على التحكم فيها</p>
<b>إرشادات أمان و<span>عمل إضافية</span></b>
استخدم معدة الوقاية ارتد دائماً نظارة الواقية عند العمل بالآلة. ينصح باستخدام الملابس الواقية مثل الكمادات الواقية من العيار، والقفازات، والأحذية القوية غير المنزلفة، والخوذات، وواقيات الأذن.
قد تكون الأثرية الناتجة عن استخدام هذه الآلة ضارة بالصحة. لا تستنشق هذه الأثرية. ارتد قناعاً واقياً من الأثرية مناسباً.
لا يجوز استخدام مواد بنجم عند أضرار على الصحة (حزير صخري).

إرجاء إيقاف تشغيل الجهاز على الفور في حالة عرقلة أداة الاستعمال!

لا تقم بتشغيل الجهاز مرة أخرى، طالما أن الأداة المستعملة لازالت في حالة عرقلة، حيث يمكن أن يحدث هنا إرتداد عكسي مصحوب بقوة رد فعل عالية.

قم بالبحث وإزالة أسباب عرقلة اداة الاستعمال مع مراعاة تعليمات الأمان.

لا تتخلص من البطاريات المستعملة مع النفايات المنزلية أو بحرقها. يقدم موزع ميلوكي خدمة استعادة البطاريات القديمة لحماية البيئة.

لا تقم بتخزين البطارية مع الأشياء المعدنية (خطر قصر الدائرة)...

يجب تجنب دخول أي أجزاء معدنية في قسم البطارية الخاصة بالشاحن (خطر الماس الكهربائي)..

استخدم فقط شواحن System 18 V لشحن بطاريات System 18V . لا تستخدم بطاريات من أنظمة أخرى.

لا تقم أبدا بفتح قفل البطارية والشواحن ولا تخزنهام إلا في غرف جافة. وحافظ عليها جانف طوال الوقت.

قد يتسرب حامض البطارية من البطاريات التالفة في ظروف الحمل الزائد بدرجة كبيرة أو في درجات الحرارة الشديدة. في حالة ملامسة حامض البطارية اغسل يديك فوراً بالماء والصابون. في حالة ملامسة المسائل للعينين اغشطهما جيدا لمدة 10 دقائق على الأقل واطلب العناية الطبية فوراً.

أخرى.

لا تقم أبدا بفتح قفل البطارية والشواحن ولا تخزنهام إلا في غرف جافة. وحافظ عليها جانف طوال الوقت.

قد يتسرب حامض البطارية من البطاريات التالفة في ظروف الحمل الزائد بدرجة كبيرة أو في درجات الحرارة الشديدة. في حالة ملامسة حامض البطارية اغسل يديك فوراً بالماء والصابون. في حالة ملامسة المسائل للعينين اغشطهما جيدا لمدة 10 دقائق على الأقل واطلب العناية الطبية فوراً.

**تحذير!** لتجنب أخطار الحريق أو الإصابة أو الاضرار بالمنتج التي تنجم عن المماس الكهربائي، لا تغمر الأداة أو البطارية القابلة للاستبدال أو جهاز الشحن في السوائل واحرص على أن لا تصل السوائل إلى داخل الجهاز والبطارية السوائل المؤدية للتآكل أو الموصلة للتيار الكهربائي، مثل الماء المالح ومركبات كيميوية معينة ومواد التبييض أو المنتجات التي تشتمل على مواد تبيض، يمكن أن تؤدي إلى حدوث ماس كهربائي.

**⚠️ تحذير!** يحتوي هذا الجهاز على بطارية ليثيوم خلوية زر.

قد تنسبب البطارية الحدينية أو المستعملة في حدوث حروق داخلية بالغة وقد تؤدي إلى الوفاة في أقل من ساعتين، وذلك في حالة ابتلاعها أو دخولها إلى الجسم. إنمن دائماً غطاء حيز البطارية.

وفي حالة عدم إبطائه، بإمكانها، أطفاً الجهاز، وقم بنزع البطارية واحتفظ بها بعيداً عن متناول الأطفال.

إذا كنت تعتقد أنه تم ابتلاع بطارية أو أن تكون دخلت إلى الجسم، اقمصد الطبيب فوراً للحصول على المساعدة الطبية.

### أرقام المطابقة وفقاً للوائح الاتحاد الأوروبي

بموجب هذا رقم نحن كشركة منتجة على مسؤوليتنا المفردة، أن المنتج الموصوف تحت ""البليات الفنية"" يتطابق مع جميع التعليمات الهامة للمعايير

ومع مستندات التوافق المعيارية التالية:

EN 62841-1:2015

EN 62841-2-11:2016/A1:2020
EN 55014-1:2017/A11:2020

EN 55014-2:2015

EN 62479:2010

EN 300 328 V2.2.2

EN 301 489-1 V2.2.3

EN 301 489-17 V3.2.4

EN IEC 63000:2018

Winnenden, 2021-08-16


Alexander Krug Managing Director


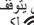
معتمدة للمطابقة مع الملف الفني
Techtronic Industries GmbH Max-Eyth-Straße 10 Winnenden 71364 Germany

### شروط الاستخدام المحدثة

يمكن استخدام هذا السيف المقاطع لقطع الأخشاب والبلاستيك والمعادن. ويمكنه قطع الخوط المستقيمة والتعارج والنواتع الداخلية. يمكنه قطع الانابيب ويمكنه القطع المباشر حتى السطح.

لا تستخدم هذا المنتج بأي طريقة أخرى غير مصرح بها لاستخدام العادي.

### اختيار نوع التشغيل

قبل تغيير نوع التشغيل انتظر حتى يتوقف الجهاز تماماً عن الحركة. لتغيير الضبط اضغط على الزر . اضغط على زر وايرس لان  لكي تغير القيم المضبوطة عن طريق التطبيق ONE-KEY على الهاتف الذكي الخاص بك.

توقف المنشار الأوتوماتيكي . يوقف المنشار الترددي بعد أن يتم نشر المواد بالكامل.

### ONE-KEY™

لمعرفة المزيد عن وظائف ONE-KEY الخاصة بهذا الجهاز، اقرأ دليل الاستخدام السريع المرفق أو قم بزيارتنا على الانترنت تحت عنوان www.milwaukeeool.com/one-key. يمكنك تنزيل التطبيق ONE-KEY على هاتفك الذكي عن طريق متجر التطبيقات أب ستور أو جوجل بلاي.

إذا حدث اضطراب في الجهاز من خلال التفريغ الكهربائي للشحنتات الكيروستاتيكية، تنظفني لمبة إشارة السرعة أل إي دي ولا يمكن التحكم بعد في السرعة. في هذه الحالة يجب نزع البطارية والبطارية القراص ووضعهما في الجهاز مرة أخرى (انظر صفحة 6 وصفحة 16).

الاضطرابات الناتجة عن التفريغ الكهربائي للشحنتات الكيروستاتيكية تؤدي أيضاً إلى انقطاع اتصالات البلوتوث. في ذه الحالة يجب إعادة اتصال البلوتوث يدويا مرة أخرى.

نتائج الفحص تبلي أقل متطلبات لدينا تبعاً للمعايير الأوروبية / EN 55014-2 / EN 301489-1EN 301489-17.

### التكايح الكهربائبة

يتم تعشيق الفرائم الكهربائية عند تحرير الزناد، مما يؤدي إلى توقف الشفرة والسماح لك بمتابعة عملك بصفة عامة، تتوقف شفرة المنشار في غضون ثائتين. ومع ذلك، قد يكون هناك تأخير بين وقت تحرير الزناد وتعشيق الفرائم. وأحياناً قد تتخفق الفرائم تماماً. إذا أخفقت الفرائم بشكل متكرر، يكون المنشار بحاجة إلى صيالته من قبل مرفق خدمة ميلوكي المعتمد.

يتعين دائماً الانتظار حتى تتوقف الشفرة تماماً قبل إزالة المنشار من القطعة التي يتم العمل عليها.

### البطاريات

يجب إعادة شحن البطارية غير المستخدمة لفترة قبل الاستخدام.

تظل درجات الحرارة التي تتجاوز 50°سيلزيوس (122°فهرنهايت) من أداء البطارية. تجنب التعرض الزائد للحرارة أو أشعة الشمس (خطر التسخين)..

يجب الحفاظ على محتويات الشواحن والبطارات نظيفة.

للحصول على فترة استخدام مثالية، يجب شحن البطاريات تماماً، بعد الاستخدام.

للحصول على أطول عمر ممكن للبطارية، اترع البطارية من الشاحن بمجرد شحنها تماماً.

لتخزين البطارية أكثر من 30 يوم:

خزن البطارية بحيث تكون درجة الحرارة أقل من 27° سيلزيوس وبعيدا عن أي رطوبة

خزن البطارية مشحونة بنسبة تتراوح بين 30- 50 %

اشحن البطارية كالمعتاد، وذلك كل ستة أشهر من التخزين.

### حماية البطارية

في الموافق التي يكون فيها عزم الدوران عالٍ بشدة، وإعاقعة الحركة والتباطؤ والقصور في الدائرة الكهربائية الذي ينتج عنه سحب لفر كبير من التيار الكهربوي، ستهيّر الآلة لمدة 2 ثانية ثم تتوقف عن العمل.

إعادة الضبط حرر الزناد.

في الظروف القصوى للعمل، قد ترتفع درجة حرارة البطارية الداخلية بشدة. إذا ما حدث ذلك، ستتوقف البطارية عن العمل.

### نقل بطاريات الليثيوم

تخضع بطاريات الليثيوم أيون لشروط قوانين نقل السلع الخطرة.

ويجب نقل هذه البطاريات وفقاً لأحكام والتوانين المحلية والوطنية والدولية.

- يمكن للمستخدم نقل البطاريات برا دون الخضوع لشروط أخرى.

- يخضع النقل التجاري لبطاريات الليثيوم أيون عن طريق الغير إلى قوانين نقل السلع الخطرة. يتعين أن يقوم أفراد مندوبون جيداً بالإعداد لتعليق النقل والقيام بها بصحبة خبراء مثلهم. متى نُقل البطاريات:

- عند التأكد من حماية أطراف توصيل البطارية وعزلها لتجنباً لحدوث قصر بالداائرة.

- عند التأكد من حماية حزمة البطارية من الحركة داخل صندوق التعبئة.

- يُرجى عدم نقل البطاريات التي بها تنفثقات أو تسربات.

- يُرجى البحث مع شركة الشحن عن نصيحة أخرى

### الصيانة

يجب أن تكون قفحات تهوية الجهاز نظيفة طوال الوقت.

استخدم فقط ملحقات ميلوكي وكذلك قطع غيار ميلوكي. إذا كانت المكونات التي يجب تغييرها غير منكورة، يرجى الاتصال بأحد عملاء صيانة ميلوكي (انظر قائمة عنواني الضمان/الصيانة الخاصة بنا).

عند الحاجة يمكن طلب رمز انفجار الجهاز بعد ذكر طراز الآلة ورقم النداسي المنكور على بطاقة طاقة الآلة لدى جهة خدمة العملاء أو مباشرة لدى شركة Techtronic Industries GmbH
Max-Eyth-Straße 10
71364 Winnenden
ألمانيا

Copyright 2022

Techtronic Industries GmbH  
Max-Eyth-Straße 10  
71364 Winnenden  
Germany

+49 (0) 7195-12-0

[www.milwaukeeetool.eu](http://www.milwaukeeetool.eu)

Techtronic Industries (UK) Ltd  
Parkway  
Marlow, SL7 1YL  
UK



(02.22)

**4931 4704 69**