

Part number

# CCFA 4.0



Female crimp contact, CC series, 16 A, turned silver plated, wire cross section 4 mm<sup>2</sup>, AWG 12

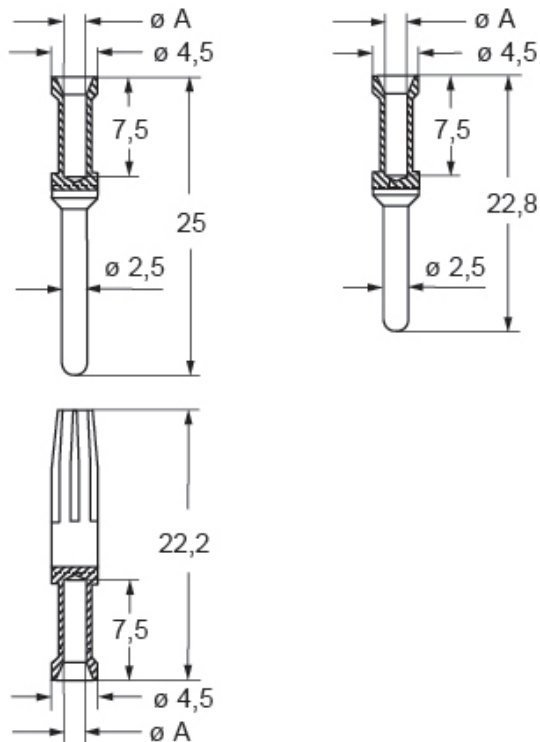
Product description		Material properties	
<b>Product type</b>	Crimp contact	<b>Main material</b>	Copper alloy
<b>Series</b>	CC		Compliant with exemption
<b>Gender</b>	Female	<b>RoHs conformity</b>	6(c): copper alloy containing up to 4% lead by weight
Technical data		<b>China RoHs - EFUP</b>	50
<b>Current</b>	16 A	<b>REACH SVHC substances</b>	Yes Lead
<b>Wire cross-section</b>	4,00 mm <sup>2</sup>	<b>SCIP number</b>	C0979fba-9907-458f-a94a-db781440f273
<b>AWG size</b>	12	Approvals / Standards	
<b>Contact type</b>	Turned silver plated	<b>Certifications</b>	CSA, EAC
Further technical details		<b>UL</b>	ECBT2
<b>Weight</b>	1,68 g	General ordering information	
<b>Conductors stripping length</b>	7,5 mm	<b>EAN13 code</b>	8015747011754
		<b>eCl@ss 8.1</b>	27440204
		<b>ETIM 7.0</b>	EC000796
		Packaging Information	
		<b>Packaging length</b>	112,00 mm
		<b>Packaging height</b>	95,00 mm
		<b>Packaging width</b>	117,00 mm
		<b>Packaging weight</b>	1,46 kg
		<b>Packaging volume</b>	1,24 dm <sup>3</sup>
		<b>Packaging description</b>	Carton box
		<b>Packaging quantity</b>	800 Pcs
		<b>Packaging EAN code</b>	8015747103879
		<b>Sub-packaging length</b>	50,00 mm
		<b>Sub-packaging height</b>	44,00 mm
		<b>Sub-packaging width</b>	50,00 mm
		<b>Sub-packaging weight</b>	0,18 kg
		<b>Sub-packaging volume</b>	0,11 dm <sup>3</sup>
		<b>Sub-packaging description</b>	Plastic box
		<b>Sub-packaging quantity</b>	100 Pcs
		<b>Sub-packaging EAN barcode</b>	8015747011761

Part number

# CCFA 4.0



## Catalogue drawings



### CCF, CCM and CC..AN contacts

conductor section mm <sup>2</sup>	conductor slot $\varnothing A$ (mm)	conductors stripping length (mm)
0,14-0,37	0,9	7,5
0,5	1,1	7,5
0,75	1,3	7,5
1,0	1,45	7,5
1,5	1,8	7,5
2,5	2,2	7,5
3	2,55	7,5
4	2,85	7,5

## Notes

Dimensions shown in mm are not binding and may be changed without notice.

## California Proposition 65 Information



### **WARNING**

This product can expose you to lead and its compounds, known to the State of California to cause cancer and/or reproductive toxicity. For more information go to [www.P65Warnings.ca.gov](http://www.P65Warnings.ca.gov).

---