

Part number

# CAP 24 L29



Surface mounting housing, C-TYPE series, with 1 lever, Pg29 cable entry, size "104.27", high construction

## Product description

<b>Product type</b>	Surface mounting housing
<b>Series</b>	C-TYPE
<b>Closing type</b>	With 1 lever
<b>Size</b>	Size "104.27"
<b>Cable entry</b>	Pg29
<b>Specification</b>	High construction

## Technical data

<b>IP degree of protection</b>	IP66 (and IP69 DIN 40050 - 9)
--------------------------------	-------------------------------

## Further technical details

<b>Weight</b>	429,00 g
<b>Operating temperature range (min, max)</b>	-40°C...+125°C

## Material properties

<b>Colour</b>	RAL 7040 grey
<b>RoHs conformity</b>	Compliant
<b>China RoHs - EFUP</b>	E
<b>REACH SVHC substances</b>	No

## Approvals / Standards

<b>Certifications</b>	DNV-GL, BV
<b>UL</b>	ECBT2
<b>cUL</b>	ECBT8

## General ordering information

<b>EAN13 code</b>	8015747008518
-------------------	---------------

## Packaging Information

<b>Packaging length</b>	475,00 mm
<b>Packaging height</b>	220,00 mm
<b>Packaging width</b>	200,00 mm
<b>Packaging weight</b>	4,88 kg
<b>Packaging volume</b>	20,90 dm <sup>3</sup>
<b>Packaging description</b>	Carton box
<b>Packaging quantity</b>	10 Pcs
<b>Packaging EAN code</b>	8015747236997
<b>Sub-packaging weight</b>	2,44 kg
<b>Sub-packaging description</b>	Plastic packaging
<b>Sub-packaging quantity</b>	5 Pcs
<b>Sub-packaging EAN barcode</b>	8015747008525

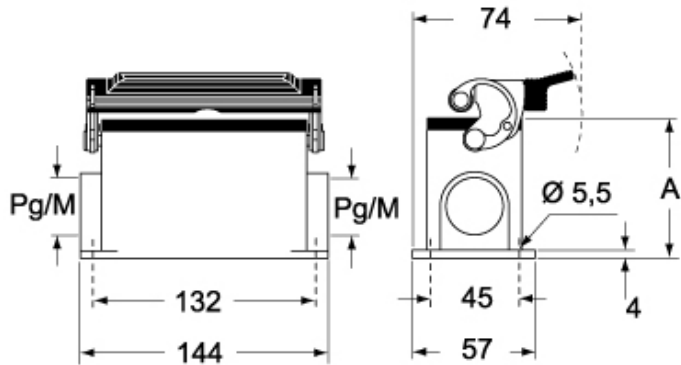
Part number

# CAP 24 L29

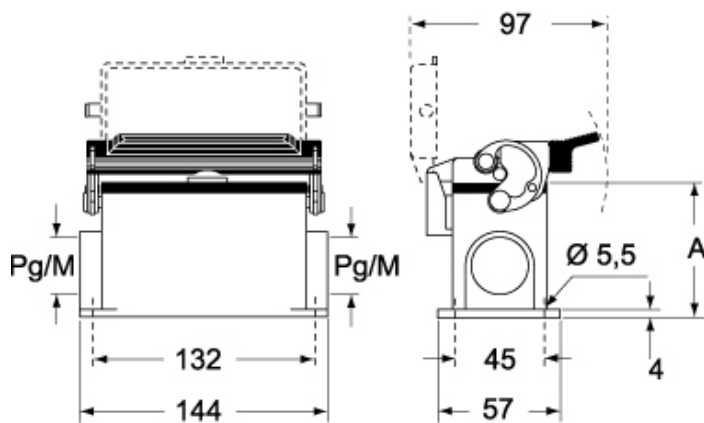


Catalogue drawings

## CHP L CAP L - MHP L MAP L



## CHP LS CAP LS - MHP LS MAP LS



	<b>A</b>
<b>CHP L / MHP L</b>	63
<b>CAP L / MAP L</b>	80
<b>CHP LS / MHP LS</b>	63
<b>CAP LS / MAP LS</b>	80

## Notes

Dimensions shown in mm are not binding and may be changed without notice.