

Part number

CC 1.5 AN



Male crimp contact, CC series, 16 A, turned silver plated, wire cross section 1,5 mm², AWG 16, advanced opening

Product description

Product type	Crimp contact
Series	CC
Gender	Male
Specification	Advanced opening

Technical data

Current	16 A
Wire cross-section	1,50 mm ²
AWG size	16
Contact type	Turned silver plated

Further technical details

Weight	1,50 g
Conductors stripping length	7,5 mm

Approvals / Standards

Certifications	CSA, EAC
UL	ECBT2

General ordering information

EAN13 code	8015747011235
eCl@ss 8.1	27440204
ETIM 7.0	EC000796

Packaging Information

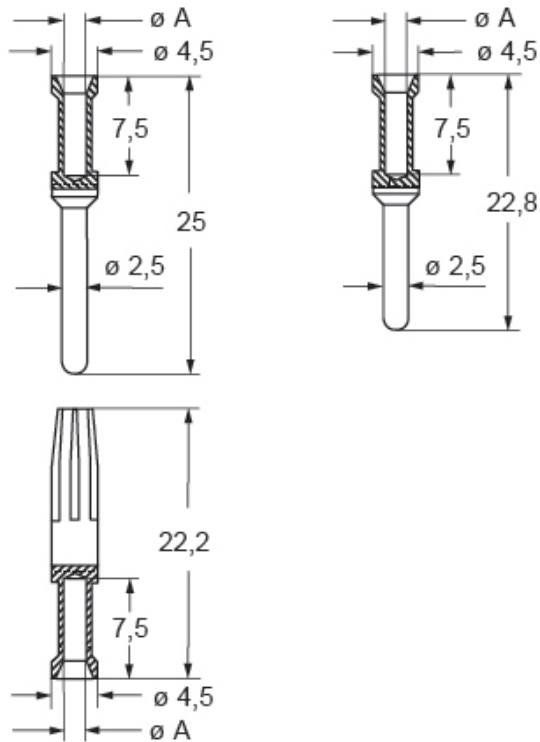
Sub-packaging length	50,00 mm
Sub-packaging height	44,00 mm
Sub-packaging width	50,00 mm
Sub-packaging weight	0,08 kg
Sub-packaging volume	0,11 dm ³
Sub-packaging description	Plastic box
Sub-packaging quantity	50 Pcs
Sub-packaging EAN barcode	8015747011242

Part number

CC 1.5 AN



Catalogue drawings



CCF, CCM and CC..AN contacts

conductor section mm ²	conductor slot $\varnothing A$ (mm)	conductors stripping length (mm)
0,14-0,37	0,9	7,5
0,5	1,1	7,5
0,75	1,3	7,5
1,0	1,45	7,5
1,5	1,8	7,5
2,5	2,2	7,5
3	2,55	7,5
4	2,85	7,5

Notes

Dimensions shown in mm are not binding and may be changed without notice.

California Proposition 65 Information



WARNING

This product can expose you to lead and its compounds, known to the State of California to cause cancer and/or reproductive toxicity. For more information go to www.P65Warnings.ca.gov.
