


Part number

CDAM 16



Male insert, CDA series, screw terminal connection, 16 poles + PE, 16 A 250 V 4 kV 3, size "66.16", with plate

Product description		Material properties	
Product type	Insert	Main material	Polycarbonate (PC)
Series	CDA	Other materials	Contacts: copper alloy
Connection type	Screw terminal connection	Colour	RAL 7032 grey
Gender	Male		Compliant with exemption
N. of poles	16 poles + 	RoHs conformity	6(c): copper alloy containing up to 4% lead by weight
Size	Size "66.16"	China RoHs - EFUP	50
Specification	With plate	REACH SVHC substances	Yes Lead
Technical data		Approvals / Standards	
Current	16 A	Reference standard	EN 61984:2009-06
Voltage	250 V	Certifications	CSA, CQC, DNV-GL, BV, EAC
Rated impulse withstand voltage	4 kV	UL	ECBT2
Pollution degree	3	cUL	ECBT8
Rated voltage according to UL/CSA	600 V	General ordering information	
Wire cross-section	0,75 mm ² - 4,00 mm ²	EAN13 code	8015747013260
AWG size	18 - 12	eCl@ss 8.1	27440205
Contact type	Turned silver plated	ETIM 7.0	EC000438
IP degree of protection	IP20 without enclosure, IP65/IP66 with enclosure	Packaging Information	
Further technical details		Packaging length	140,00 mm
Characteristics according to EN 61984	16A 250V 4kV 3; 16A 230/400V 4kV 2	Packaging height	120,00 mm
Mating cycles	≥ 500	Packaging width	260,00 mm
Insulation resistance	≥ 10 GΩ	Packaging weight	1,76 kg
Contact resistance	≤ 1 mΩ	Packaging volume	4,37 dm ³
Weight	62,00 g	Packaging description	Carton box
Operating temperature range (min, max)	-40 °C ... +125 °C	Packaging quantity	30 Pcs
UL 94 flammability rating	V-0	Packaging EAN code	8015747013277
Torque for main contact	M3: 0,5 Nm; 4,4 lb.in (Ph0 or 0,6 x 3,5 mm)	Sub-packaging weight	0,29 kg
Tightening torque for PE connection	M3,5: 0,8 Nm; 7,1 lb.in (Ph1 or 0,8 x 5,5 mm)	Sub-packaging description	Carton tray
		Sub-packaging quantity	5 Pcs
		Sub-packaging EAN barcode	8015747013284

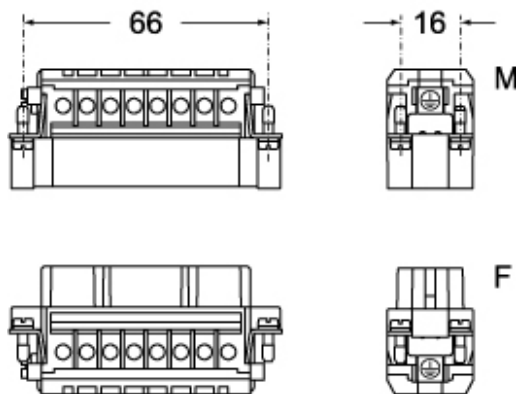
Part number

CDAM 16

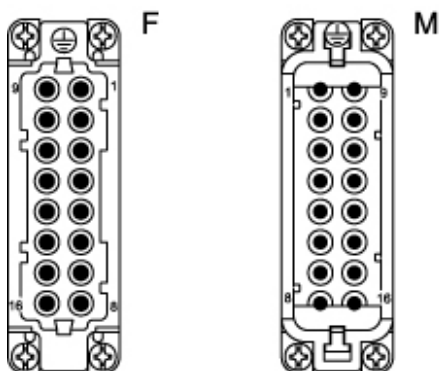


Catalogue drawings

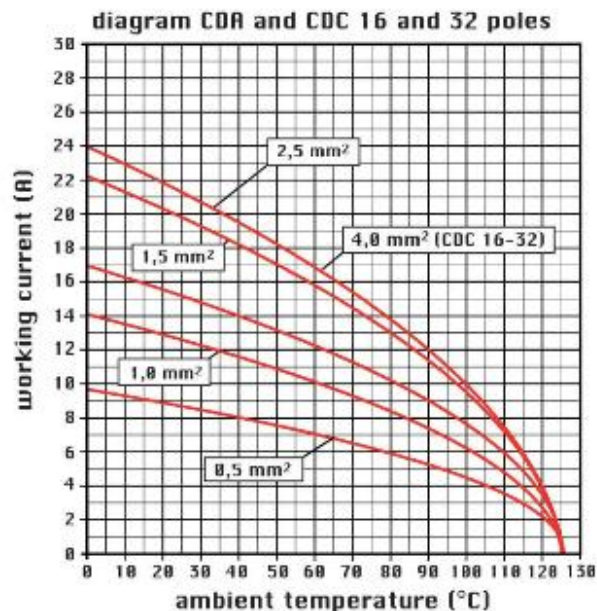
CDAM 16



CDAF 16



Catalogue drawings



Notes

Dimensions shown in mm are not binding and may be changed without notice.

CDA ... : for non-prepared conductors



CDA ... X : for conductors with bush terminal

California Proposition 65 Information



WARNING

This product can expose you to lead and its compounds, known to the State of California to cause cancer and/or reproductive toxicity. For more information go to www.P65Warnings.ca.gov.
