

Part number

CDAM 16 N



Male insert, CDA series, screw terminal connection, 16 poles + PE (17-32), 16 A 250 V 4 kV 3, size "66.40", with plate

Product description

Product type	Insert
Series	CDA
Connection type	Screw terminal connection
Gender	Male
N. of poles	16 poles + ⊥
Size	Size "66.40"
Specification	With plate

Technical data

Current	16 A
Voltage	250 V
Rated impulse withstand voltage	4 kV
Pollution degree	3
Rated voltage according to UL/CSA	600 V
Wire cross-section	0,75 mm ² - 4,00 mm ²
AWG size	18 - 12
Contact type	Turned silver plated
Pole numbering system	17-32
IP degree of protection	IP20 without enclosure, IP65/IP66 with enclosure

Further technical details

Characteristics according to EN 61984	16A 250V 4kV 3; 16A 230/400V 4kV 2
Mating cycles	≥ 500
Insulation resistance	≥ 10 GΩ
Contact resistance	≤ 1 mΩ
Weight	61,00 g
Operating temperature range (min, max)	-40 °C ... +125 °C
UL 94 flammability rating	V-0
Torque for main contact	M3: 0,5 Nm; 4,4 lb.in (Ph0 or 0,6 x 3,5 mm)
Tightening torque for PE connection	M3,5: 0,8 Nm; 7,1 lb.in (Ph1 or 0,8 x 5,5 mm)

Material properties

Main material	Polycarbonate (PC)
Other materials	Contacts: copper alloy
Colour	RAL 7032 grey
RoHs conformity	Compliant with exemption 6(c): copper alloy containing up to 4% lead by weight
China RoHs - EFUP	50
REACH SVHC substances	Yes Lead

Approvals / Standards

Reference standard	EN 61984:2009-06
Certifications	CSA, CQC, DNV-GL, BV, EAC
UL	ECBT2
cUL	ECBT8

General ordering information

EAN13 code	8015747013291
eCl@ss 8.1	27440205
ETIM 7.0	EC000438

Packaging Information

Packaging length	140,00 mm
Packaging height	120,00 mm
Packaging width	260,00 mm
Packaging weight	2,05 kg
Packaging volume	4,37 dm ³
Packaging description	Carton box
Packaging quantity	30 Pcs
Packaging EAN code	8015747013307
Sub-packaging weight	0,34 kg
Sub-packaging description	Carton tray
Sub-packaging quantity	5 Pcs
Sub-packaging EAN barcode	8015747013314

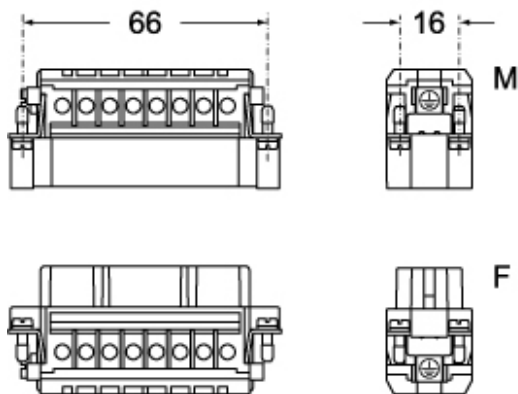
Part number

CDAM 16 N

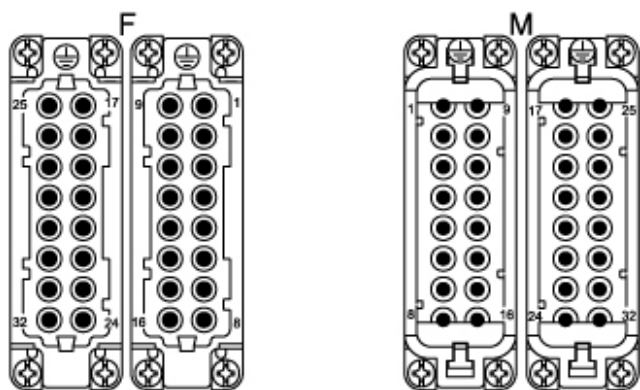


Catalogue drawings

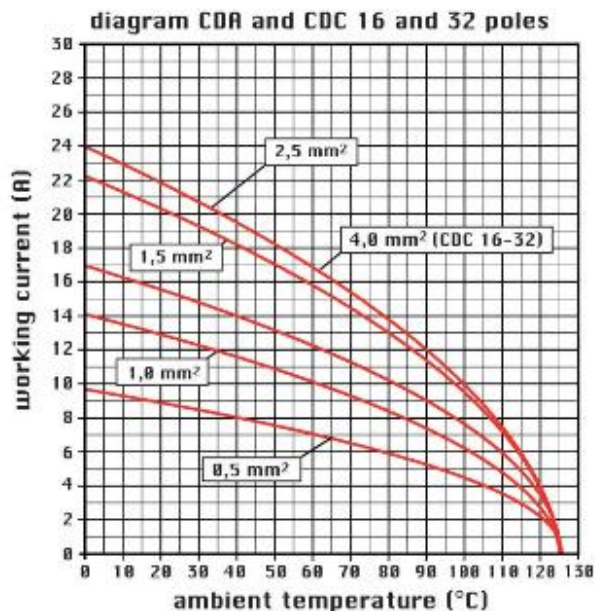
CDAM 16



CDAF 16



Catalogue drawings



Notes

CDAF/M 16 N/XN inserts:

- characteristics according to EN 61984: (16A 250V 4kV 3) (16A 230/400V 4kV 2)
- rated voltage according to UL/CSA: 600V
- insulation resistance: > 10 GOhm
- ambient temperature limit: -40 °C ... +125 °C
- are made of self-extinguishing thermoplastic resin UL 94 V0
- mechanical life: > 500 cycles
- contact resistance: < 1 mOhm

- Enclosures: size "66.40"
- C-TYPE IP65/IP66
- W-TYPE aggressive environments

CDA ... : for non-prepared conductors



Dimensions shown in mm are not binding and may be changed without notice.

CDA ... X : for conductors with bush terminal

California Proposition 65 Information



WARNING

This product can expose you to lead and its compounds, known to the State of California to cause cancer and/or reproductive toxicity. For more information go to www.P65Warnings.ca.gov.
