

Part number

CHP 10 L



Surface mounting housing, C-TYPE series, with 1 lever, Pg16 cable entry, size "57.27"

Product description

Product type	Surface mounting housing
Series	C-TYPE
Closing type	With 1 lever
Size	Size "57.27"
Cable entry	Pg16

Technical data

IP degree of protection	IP66 (and IP69 DIN 40050 - 9)
--------------------------------	-------------------------------

Further technical details

Weight	240,00 g
Operating temperature range (min, max)	-40°C...+125°C

Material properties

Colour	RAL 7040 grey
RoHs conformity	Compliant
China RoHs - EFUP	E
REACH SVHC substances	No

Approvals / Standards

Certifications	DNV-GL, BV
UL	ECBT2
cUL	ECBT8

General ordering information

EAN13 code	8015747021838
-------------------	---------------

Packaging Information

Packaging length	475,00 mm
Packaging height	170,00 mm
Packaging width	150,00 mm
Packaging weight	2,55 kg
Packaging volume	12,11 dm ³
Packaging description	Carton box
Packaging quantity	10 Pcs
Packaging EAN code	8015747021845
Sub-packaging weight	1,28 kg
Sub-packaging description	Plastic packaging
Sub-packaging quantity	5 Pcs
Sub-packaging EAN barcode	8015747021852

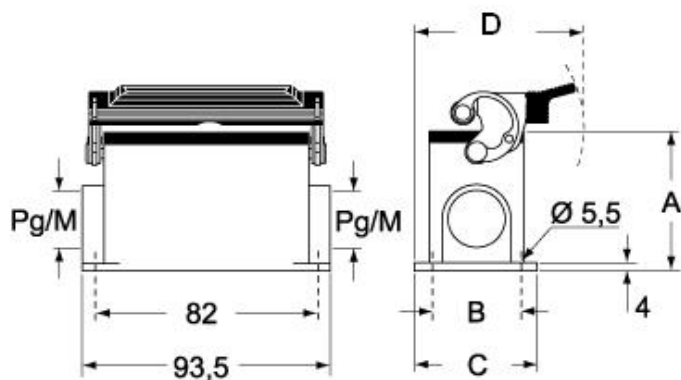
Part number

CHP 10 L

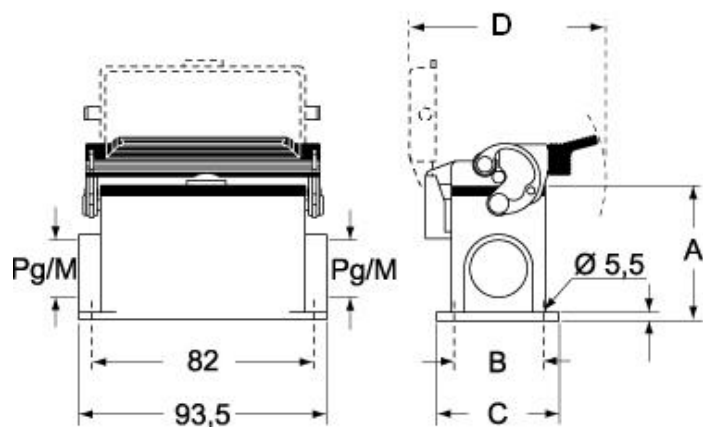


Catalogue drawings

CHP L - CAP L MHP L - MAP L



CHP LS - CAP LS MHP LS - MAP LS



Notes

Dimensions shown in mm are not binding and may be changed without notice.