

Part number

CKSHF 03



Female insert, CKSH series, SQUICH® spring terminal connection without tools, 3 poles + PE, 10 A 400 V 4 kV 3, size "21.21"

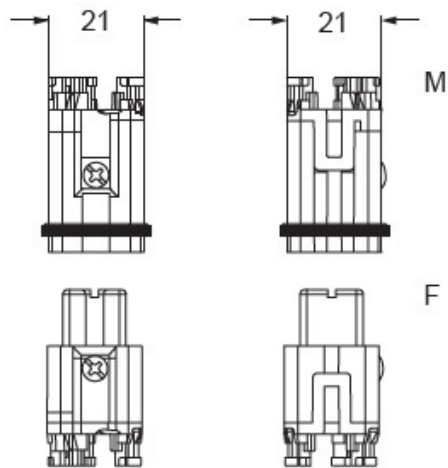
Product description		Material properties	
Product type	Insert	Main material	Polycarbonate (PC)
Series	CKSH	Other materials	Contacts: copper alloy
Connection type	SQUICH® spring terminal connection without tools	Colour	RAL 7032 grey
Gender	Female	RoHs conformity	Compliant with exemption 6(c): copper alloy containing up to 4% lead by weight
N. of poles	3 poles +	China RoHs - EFUP	50
Size	Size "21.21"	REACH SVHC substances	Yes Lead
Technical data		Approvals / Standards	
Current	10 A	Certifications	DNV-GL, BV, EAC
Voltage	400 V	UL	ECBT2
Rated impulse withstand voltage	4 kV	cUL	ECBT8
Pollution degree	3	General ordering information	
Rated voltage according to UL/CSA	600 V	EAN13 code	8015747234597
Wire cross-section	0,14 mm ² - 2,50 mm ²	eCl@ss 8.1	27440205
AWG size	26 - 14	ETIM 7.0	EC000438
Contact type	Turned silver plated	Packaging Information	
IP degree of protection	IP20 without enclosure, IP44/IP66/IP67/IP68/IP69 with enclosure	Packaging length	200,00 mm
Further technical details		Packaging height	245,00 mm
Characteristics according to EN 61984	10A 400V 4kV 3; 10A 690V 4kV 2	Packaging width	146,00 mm
Mating cycles	≥ 500	Packaging weight	3,36 kg
Insulation resistance	≥ 10 GΩ	Packaging volume	7,15 dm ³
Contact resistance	≤ 3 mΩ	Packaging description	Carton box
Weight	15,00 g	Packaging quantity	200 Pcs
Operating temperature range (min, max)	-40 °C ... +125 °C	Packaging EAN code	8015747234634
Conductors stripping length	9...11 mm	Sub-packaging length	116,00 mm
UL 94 flammability rating	V-0	Sub-packaging height	43,00 mm
Tightening torque for fixing screws	M3: 0,5 Nm; 4,4 lb.in (Ph1 or 0,8 x 5,5 mm)	Sub-packaging width	180,00 mm
		Sub-packaging weight	0,67 kg
		Sub-packaging volume	0,90 dm ³
		Sub-packaging description	Carton tray
		Sub-packaging quantity	40 Pcs
		Sub-packaging EAN barcode	8015747234641

Part number

CKSHF 03



Catalogue drawings

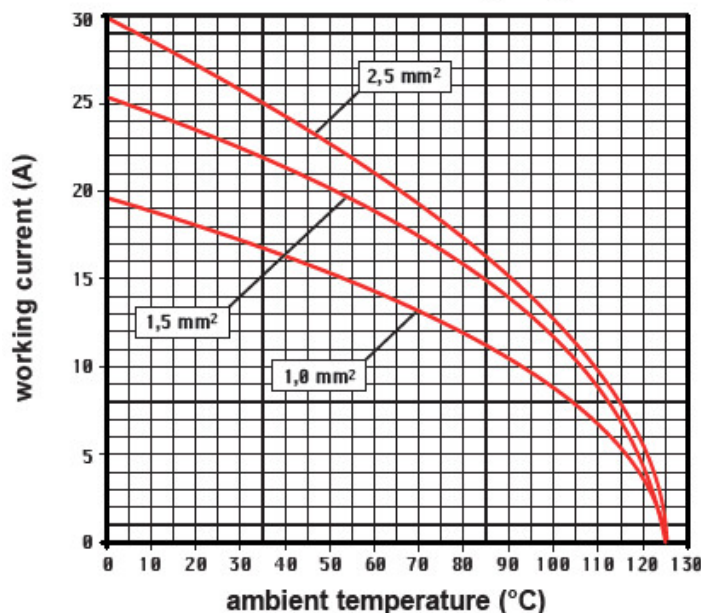


contacts side (front view)



Derating curves

CKSH 03 poles connector inserts
Maximum current load derating diagram



Notes

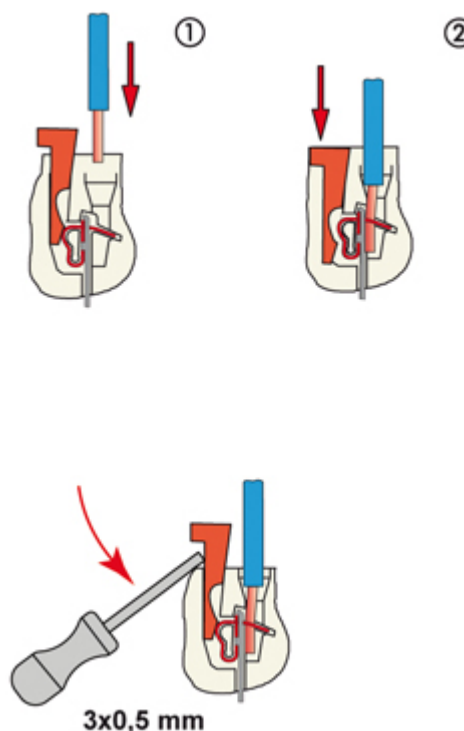
Dimensions shown in mm are not binding and may be changed without notice.

California Proposition 65 Information



WARNING

This product can expose you to lead and its compounds, known to the State of California to cause cancer and/or reproductive toxicity. For more information go to www.P65Warnings.ca.gov.



SQUICH® connection with actuator button

Reopening
