

Part number

CX 01 9VM2



Male modular insert, Mixo Data series, D-SUB, 9 poles, 1 module, 5 A 50 V 0,8 kV 3, crimp, shielded, 2 cable entries

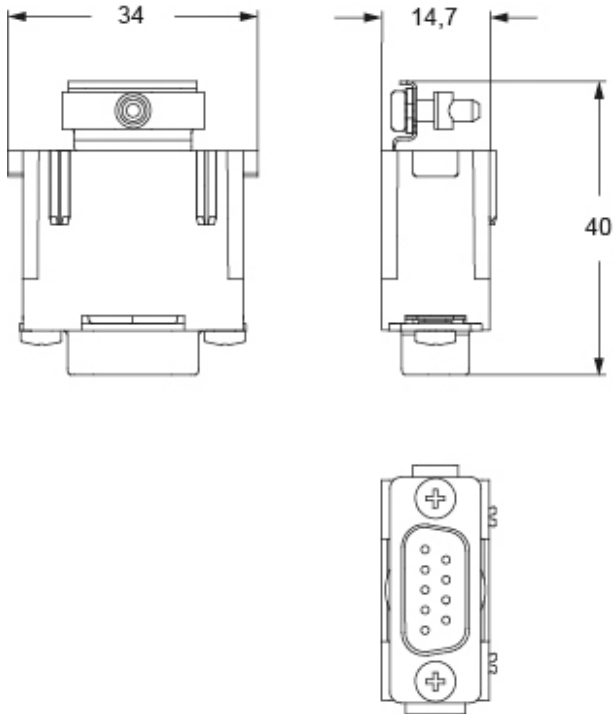
Product description		Material properties	
Product type	Modular insert	Main material	Polycarbonate (PC)
Series	Mixo Data	Colour	RAL 7032 grey
Connection type	D-SUB		Compliant with exemption 6(c): copper alloy containing up to 4% lead by weight
Gender	Male	RoHs conformity	
N. of poles	9 poles	China RoHs - EFUP	50
Size	1 module	REACH SVHC substances	Yes Lead
Specification	2 cable entries Crimp, shielded		
Technical data		General ordering information	
Current	5 A	EAN13 code	8015747271721
Voltage	50 V	eCl@ss 8.1	27440205
Rated impulse withstand voltage	0,8 kV	ETIM 7.0	EC000438
Pollution degree	3		
IP degree of protection	IP20 without enclosure, IP65/IP66/IP68/IP69 with enclosure	Packaging Information	
Further technical details		Packaging length	112,00 mm
Characteristics according to EN 61984	5 A 50 V 0,8 kV 3	Packaging height	95,00 mm
Weight	18,50 g	Packaging width	117,00 mm
Operating temperature range (min, max)	-40°C...+70°C	Packaging weight	0,23 kg
		Packaging volume	1,24 dm ³
		Packaging description	Carton box
		Packaging quantity	10 Pcs
		Packaging EAN code	8015747271738
		Sub-packaging weight	0,02 kg
		Sub-packaging description	Plastic bag
		Sub-packaging quantity	1 Pcs
		Sub-packaging EAN barcode	8015747271745

Part number

CX 01 9VM2



Catalogue drawings



Notes

the modular inserts must be installed in suitable frames which in turn are installed in traditional housings or COB panel support

Dimensions shown in mm are not binding and may be changed without notice.

California Proposition 65 Information



WARNING

This product can expose you to lead and its compounds, known to the State of California to cause cancer and/or reproductive toxicity. For more information go to www.P65Warnings.ca.gov.