

Part number

CZI 25 LS



Bulkhead mounting housing, IL-BRID series, with 1 lever, size "66.16", with metal cover

Product description

Product type	Bulkhead mounting housing
Series	IL-BRID
Closing type	With 1 lever
Size	Size "66.16"
Specification	With metal cover

Technical data

IP degree of protection	IP66
--------------------------------	------

Further technical details

Weight	118,00 g
Operating temperature range (min, max)	-40°C...+125°C

Material properties

Colour	RAL 7040 grey
RoHs conformity	Compliant
China RoHs - EFUP	E
REACH SVHC substances	No

Approvals / Standards

UL	ECBT2
cUL	ECBT8

General ordering information

EAN13 code	8015747044158
eCl@ss 8.1	27440202
ETIM 7.0	EC000437

Packaging Information

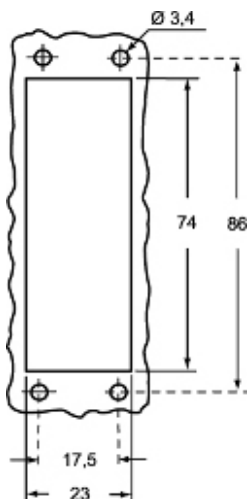
Packaging length	380,00 mm
Packaging height	230,00 mm
Packaging width	290,00 mm
Packaging weight	5,23 kg
Packaging volume	25,35 dm ³
Packaging description	Carton box
Packaging quantity	40 Pcs
Packaging EAN code	8015747129183
Sub-packaging weight	0,65 kg
Sub-packaging description	Plastic packaging
Sub-packaging quantity	5 Pcs
Sub-packaging EAN barcode	8015747129190

Part number

CZI 25 LS

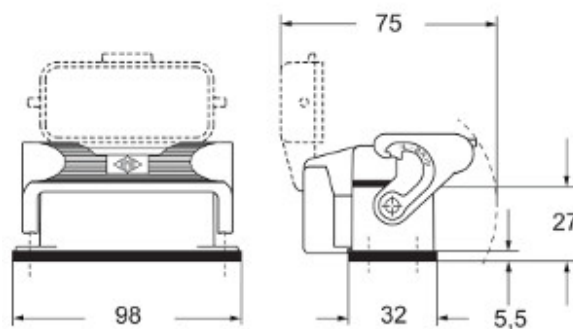


Catalogue drawings



Catalogue drawings

CZI LS



Notes

Dimensions shown in mm are not binding and may be changed without notice.