

Part number

# MHO 10.20



Hood, C-TYPE series, with 4 pegs, M20 side cable entry, size "57.27"

#### Product description

|                     |                         |
|---------------------|-------------------------|
| <b>Product type</b> | Hood                    |
| <b>Series</b>       | C-TYPE                  |
| <b>Closing type</b> | With 4 pegs             |
| <b>Size</b>         | Size "57.27"            |
| <b>Cable entry</b>  | Side cable entry<br>M20 |

#### Technical data

|                                |                               |
|--------------------------------|-------------------------------|
| <b>IP degree of protection</b> | IP66 (and IP69 DIN 40050 - 9) |
|--------------------------------|-------------------------------|

#### Further technical details

|   |                |
|---|----------------|
| <b>Weight</b>                                 | 128,00 g       |
| <b>Operating temperature range (min, max)</b> | -40°C...+125°C |

#### Material properties

|                              |               |
|------------------------------|---------------|
| <b>Colour</b>                | RAL 7040 grey |
| <b>RoHs conformity</b>       | Compliant     |
| <b>China RoHs - EFUP</b>     | E             |
| <b>REACH SVHC substances</b> | No            |

#### Approvals / Standards

|                       |            |
|-----------------------|------------|
| <b>Certifications</b> | DNV-GL, BV |
| <b>UL</b>             | ECBT2      |
| <b>cUL</b>            | ECBT8      |

#### General ordering information

|                   |               |
|-------------------|---------------|
| <b>EAN13 code</b> | 8015747053211 |
| <b>eCl@ss 8.1</b> | 27440202      |
| <b>ETIM 7.0</b>   | EC000437      |

#### Packaging Information

|                                  |                      |
|----------------------------------|----------------------|
| <b>Packaging length</b>          | 255,00 mm            |
| <b>Packaging height</b>          | 150,00 mm            |
| <b>Packaging width</b>           | 180,00 mm            |
| <b>Packaging weight</b>          | 2,78 kg              |
| <b>Packaging volume</b>          | 6,89 dm <sup>3</sup> |
| <b>Packaging description</b>     | Carton box           |
| <b>Packaging quantity</b>        | 20 Pcs               |
| <b>Packaging EAN code</b>        | 8015747053228        |
| <b>Sub-packaging weight</b>      | 0,70 kg              |
| <b>Sub-packaging description</b> | Plastic packaging    |
| <b>Sub-packaging quantity</b>    | 5 Pcs                |
| <b>Sub-packaging EAN barcode</b> | 8015747053235        |

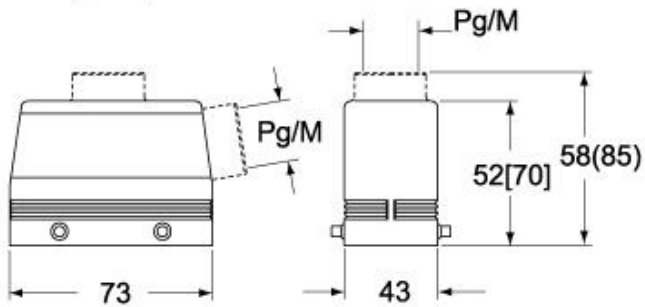
Part number

# MHO 10.20

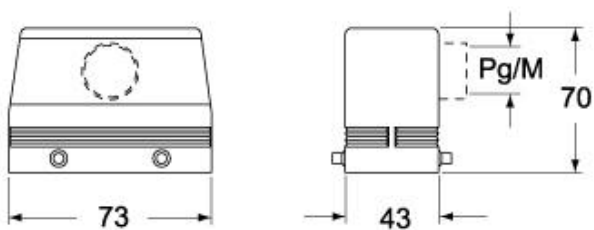


Catalogue drawings

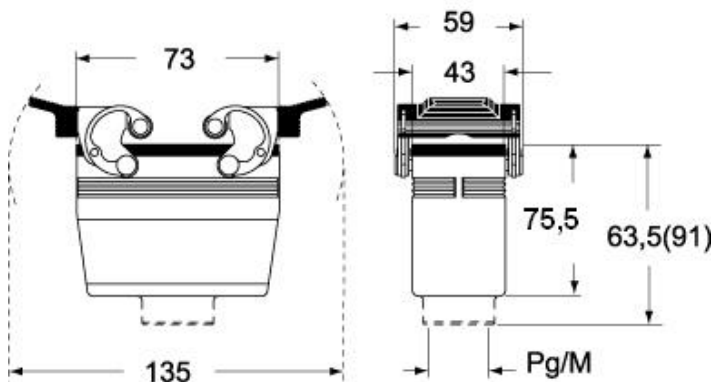
**CHO [CAO] CHV (CAV) - MHO [MAO]  
MHV (MAV)**



**CAF - MAF/MFF**



**CHV G (CAV G) - MHV G (MAV G) - [MFV G]**



## Notes

Dimensions shown in mm are not binding and may be changed without notice.