

Part number
MK V20



Hood, CK series, with 2 pegs, M20 top cable entry, size "21.21", white colour

Product description

Product type	Hood
Series	CK
Closing type	With 2 pegs
Size	Size "21.21"
Cable entry	Top cable entry M20
Specification	White colour

Technical data

IP degree of protection	IP44 (IP66/IP67/IP69 with CKR 65/CKR 65 D kits)
--------------------------------	---

Further technical details

Weight	10,50 g
Operating temperature range (min, max)	-40°C...+125°C

Material properties

Colour	RAL 7035 grey
RoHs conformity	Compliant
China RoHs - EFUP	E
REACH SVHC substances	No

Approvals / Standards

UL	ECBT2
cUL	ECBT8

General ordering information

EAN13 code	8015747056533
eCl@ss 8.1	27440202
ETIM 7.0	EC000437

Packaging Information

Packaging length	330,00 mm
Packaging height	170,00 mm
Packaging width	230,00 mm
Packaging weight	1,74 kg
Packaging volume	12,90 dm ³
Packaging description	Carton box
Packaging quantity	100 Pcs
Packaging EAN code	8015747056540
Sub-packaging weight	0,17 kg
Sub-packaging description	Carton box
Sub-packaging quantity	10 Pcs
Sub-packaging EAN barcode	8015747056557

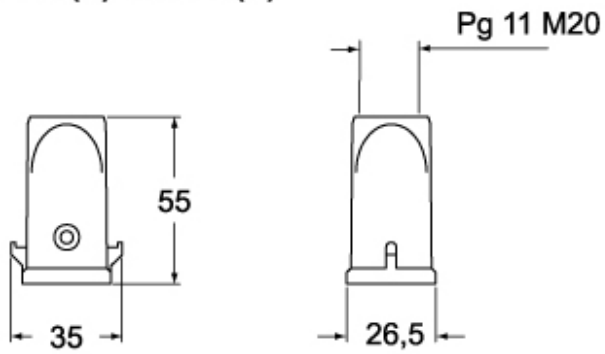
Part number

MK V20

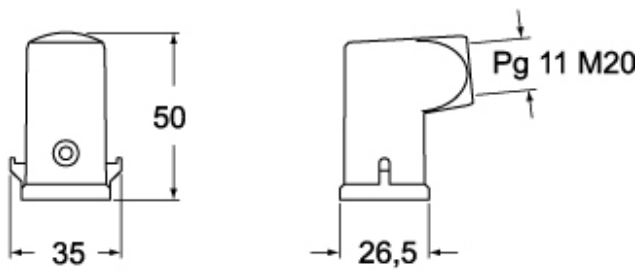


Catalogue drawings

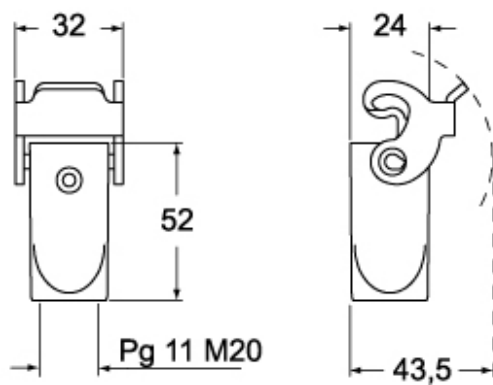
CK V(N)S - MK V(N)



CK VA(N)S - MK VA(N)



CK VG(N)S - MK VG(N)



Notes

Dimensions shown in mm are not binding and may be changed without notice.