

Part number

MQO 24.40



Hood, C-TYPE series, with 4 pegs, M40 side cable entry, size "104.27", enlarged version

Product description

Product type	Hood
Series	C-TYPE
Closing type	With 4 pegs
Size	Size "104.27"
Cable entry	Side cable entry M40
Specification	Enlarged version

Technical data

IP degree of protection	IP66 (and IP69 DIN 40050 - 9)
--------------------------------	-------------------------------

Further technical details

Weight	297,50 g
Operating temperature range (min, max)	-40°C...+125°C

Material properties

Colour	RAL 7040 grey
RoHs conformity	Compliant
China RoHs - EFUP	E
REACH SVHC substances	No

Approvals / Standards

Certifications	DNV-GL, BV
UL	ECBT2
cUL	ECBT8

General ordering information

EAN13 code	8015747059299
eCl@ss 8.1	27440202
ETIM 7.0	EC000437

Packaging Information

Packaging length	140,00 mm
Packaging height	120,00 mm
Packaging width	260,00 mm
Packaging weight	1,59 kg
Packaging volume	4,37 dm ³
Packaging description	Carton box
Packaging quantity	5 Pcs
Packaging EAN code	8015747059305
Sub-packaging weight	0,32 kg
Sub-packaging description	Plastic packaging
Sub-packaging quantity	1 Pcs
Sub-packaging EAN barcode	8015747059312

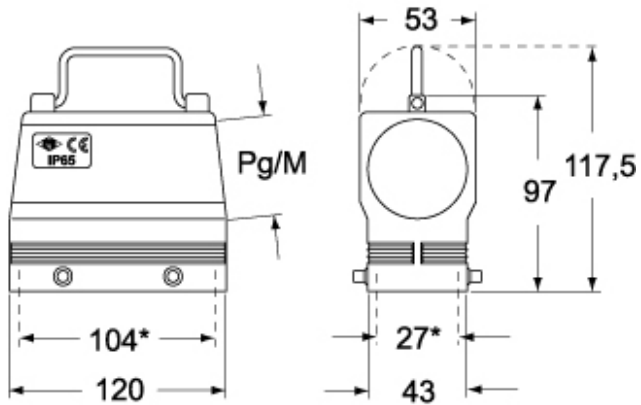
Part number

MQO 24.40

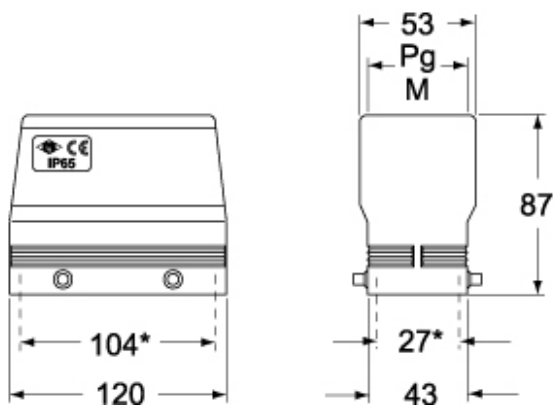


Catalogue drawings

CQO - MQO



CQV - MQV



Notes

Dimensions shown in mm are not binding and may be changed without notice.