

70 RT

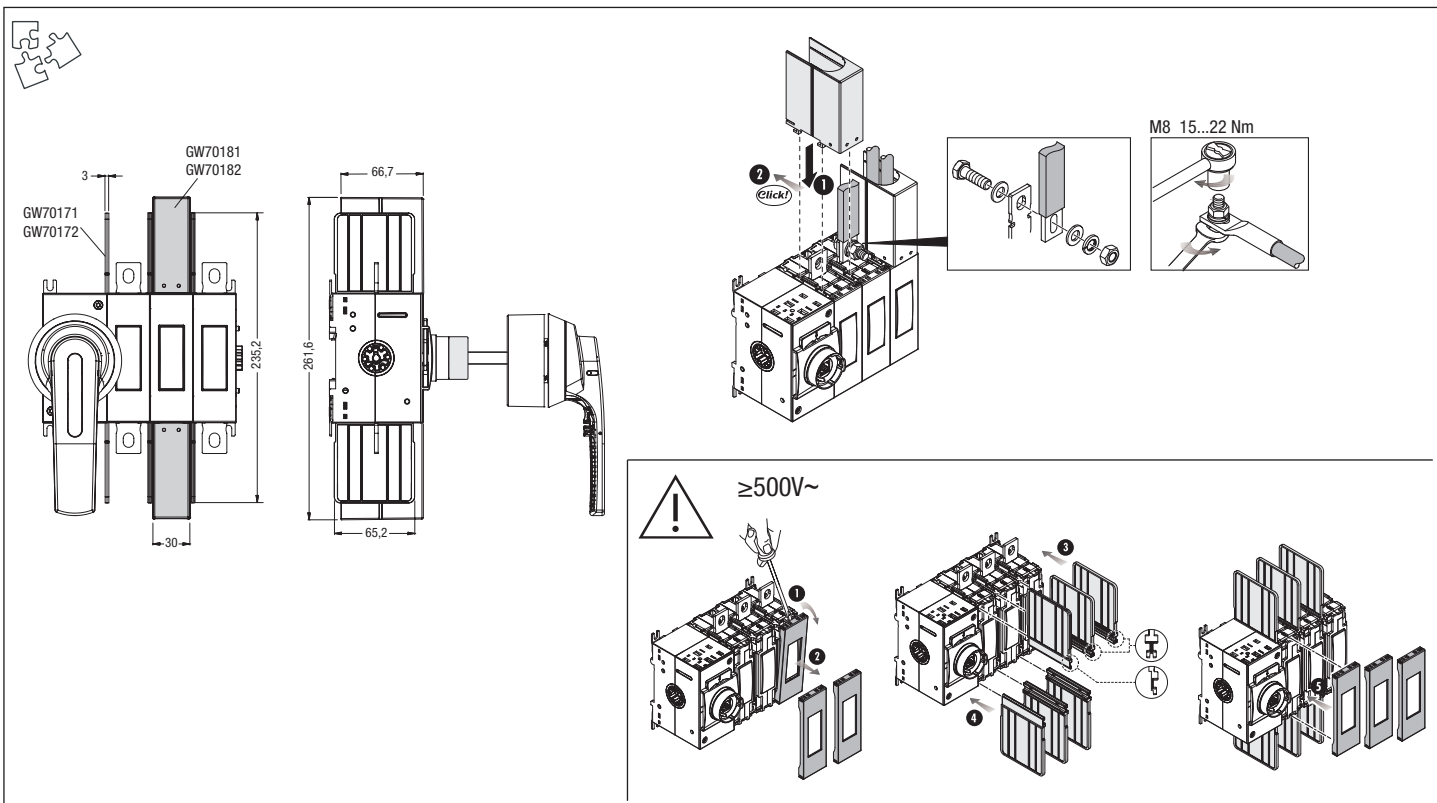
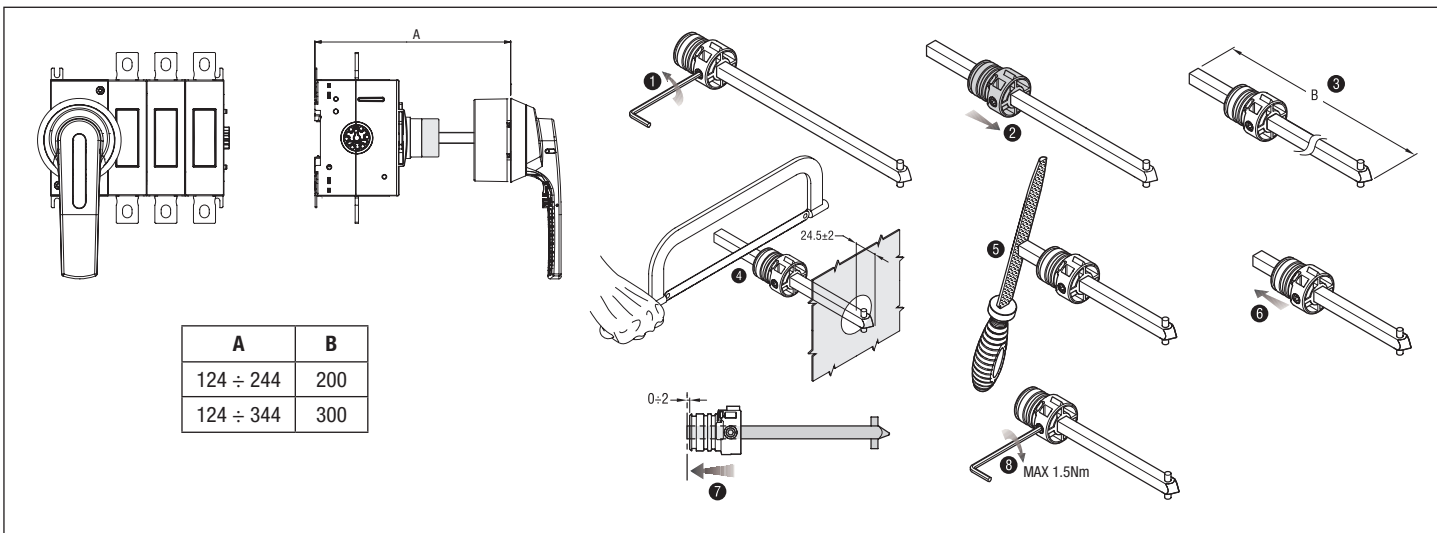
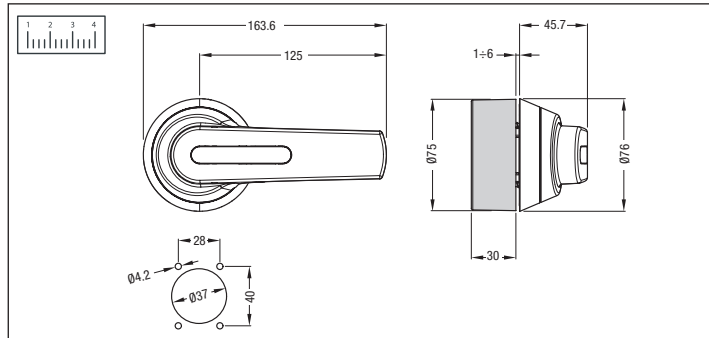
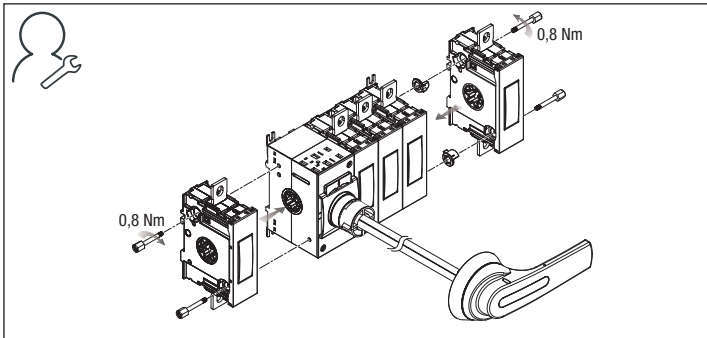
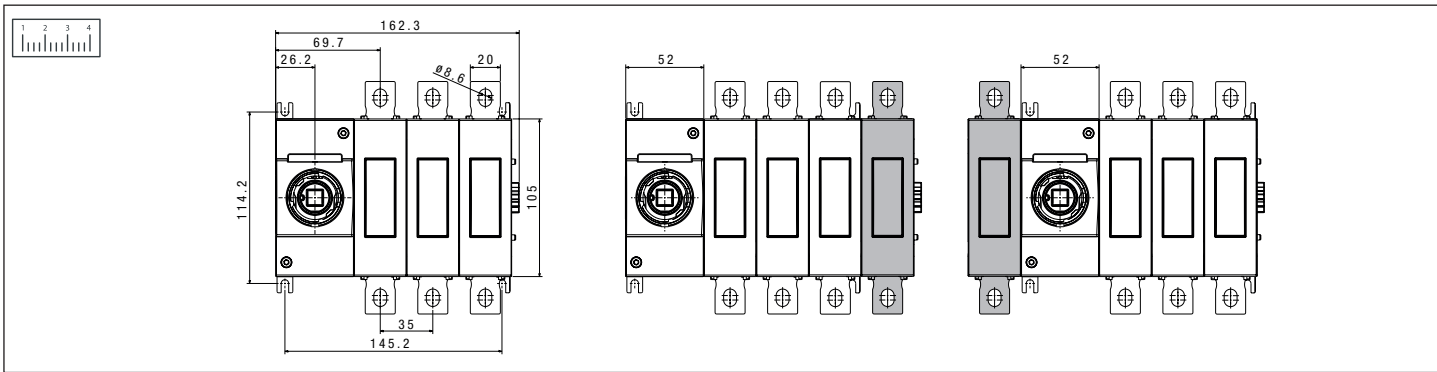
GEWISS

CE UK
CA



	AC21A - AC22A - AC23A	
	415V~	500V~ 690V~
GW 70 070	3P	200 A
GW 70 071	4P	200 A
GW 70 073	3P	250 A
GW 70 074	4P	250 A

(*) GW 70 070 / GW 70 073 + GW 70 171
 (**) GW 70 071 / GW 70 074 + GW 70 172

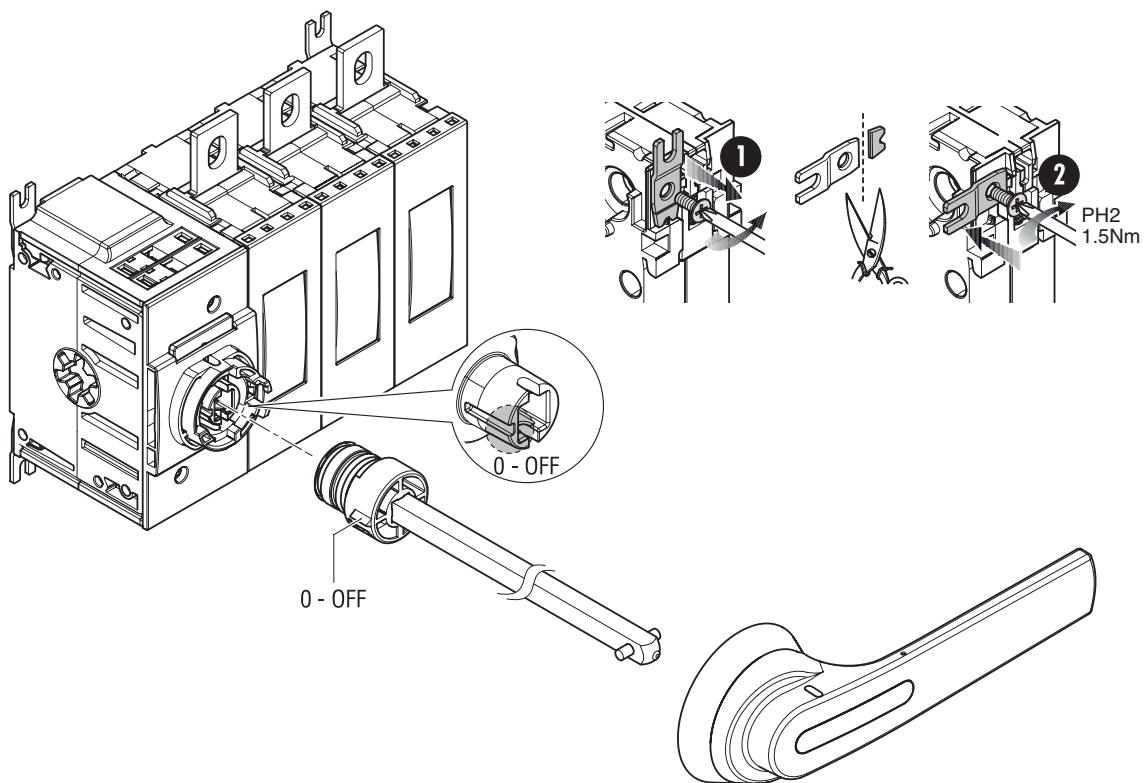
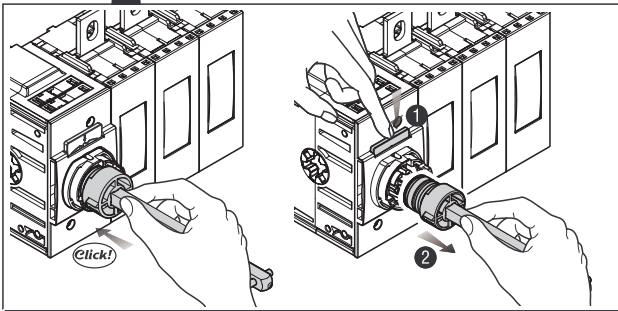
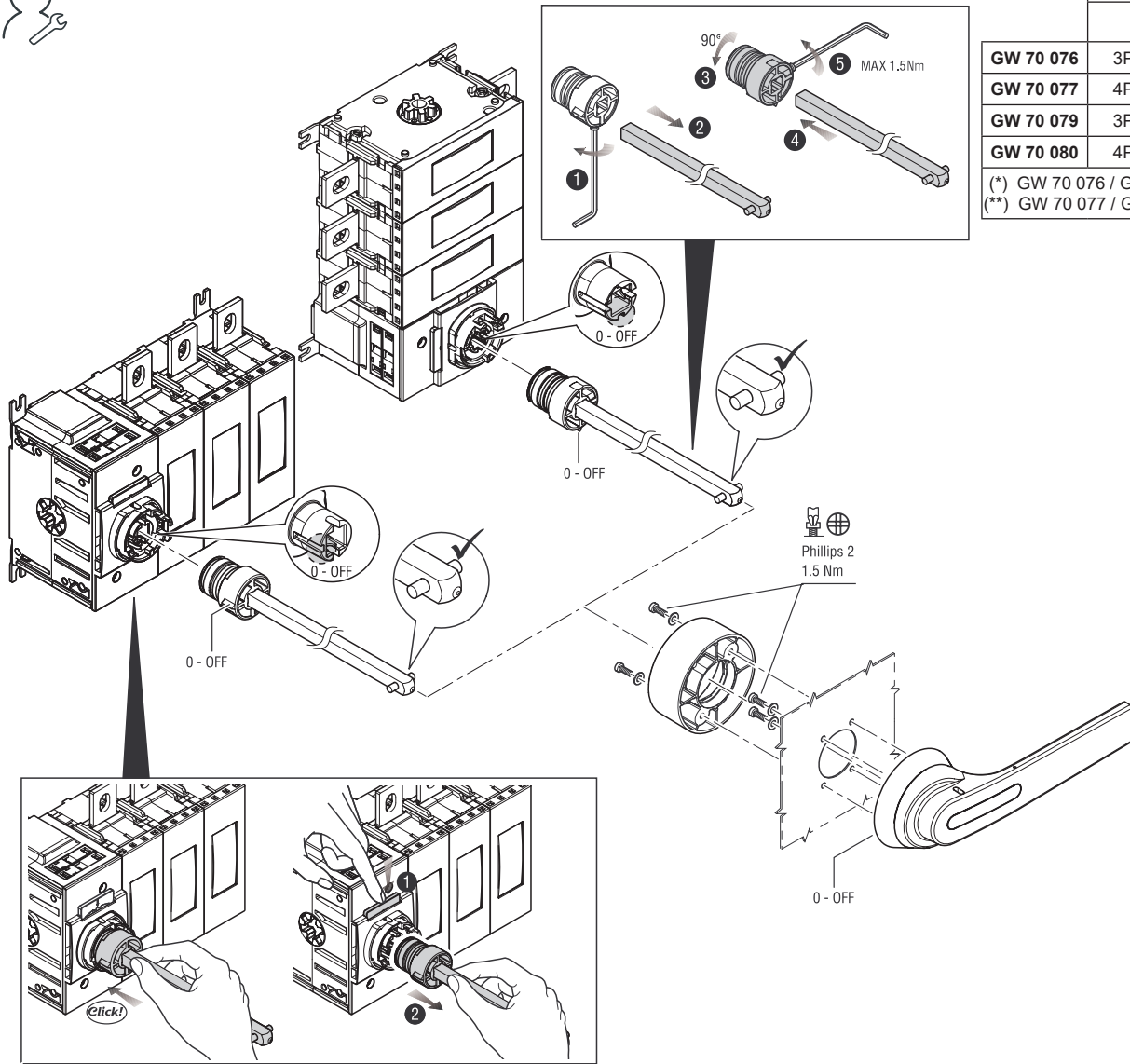


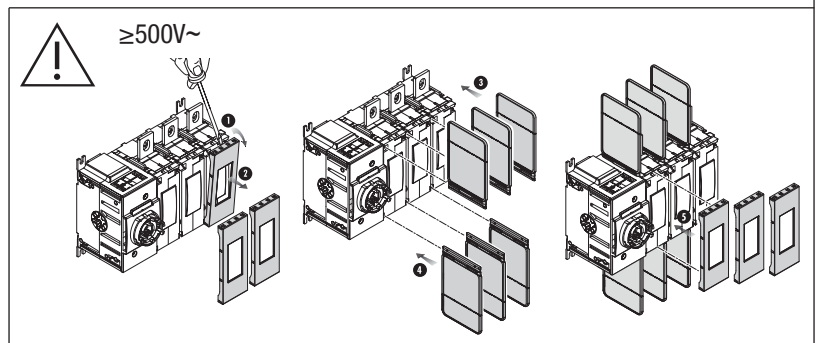
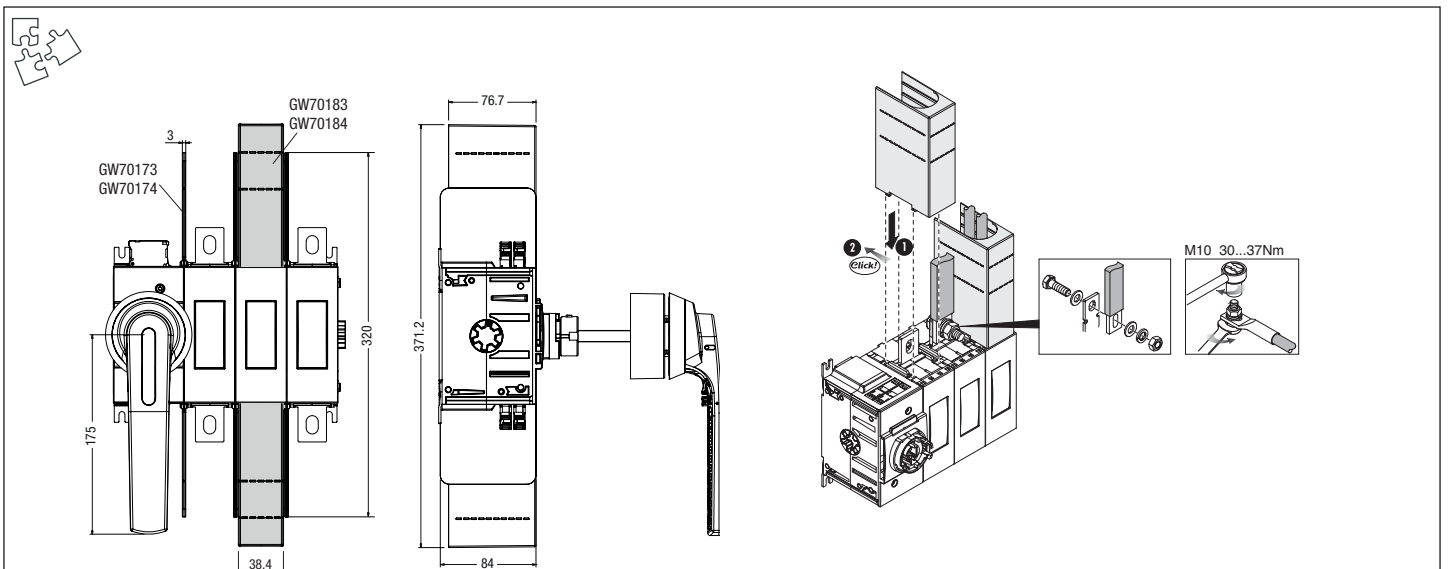
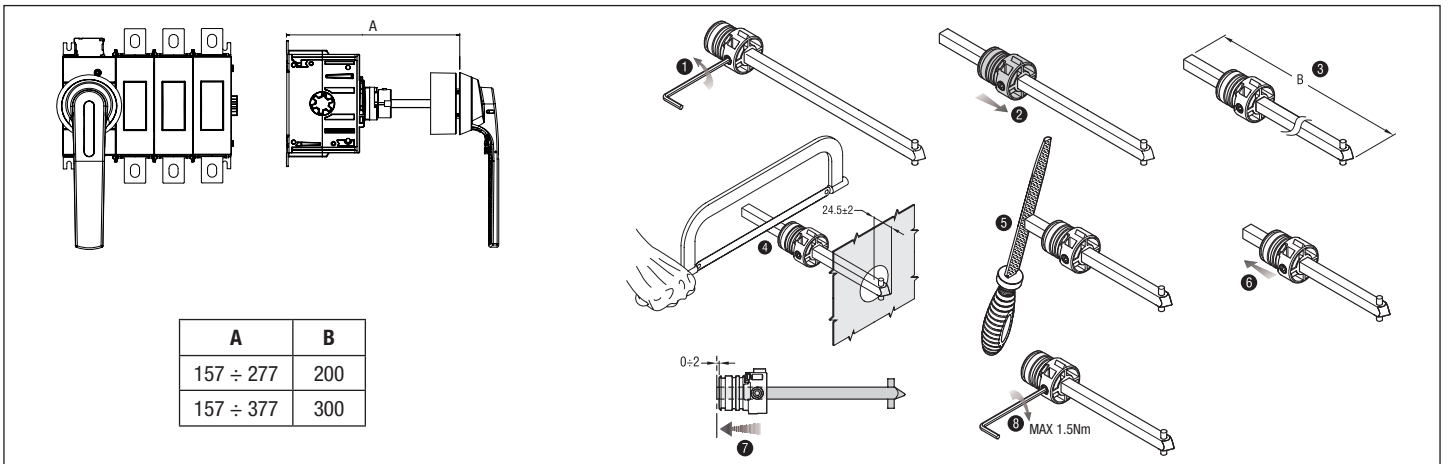
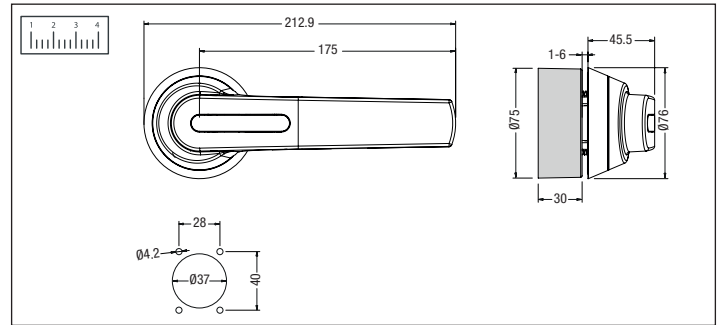
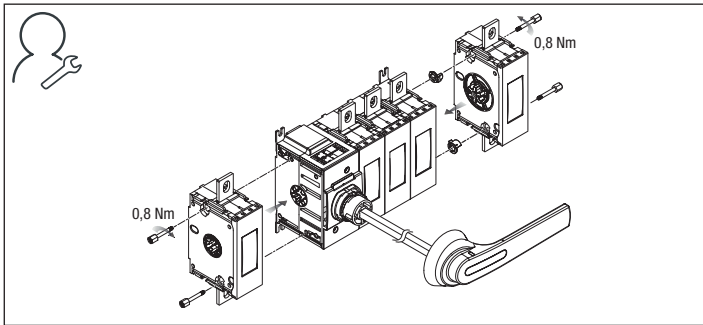
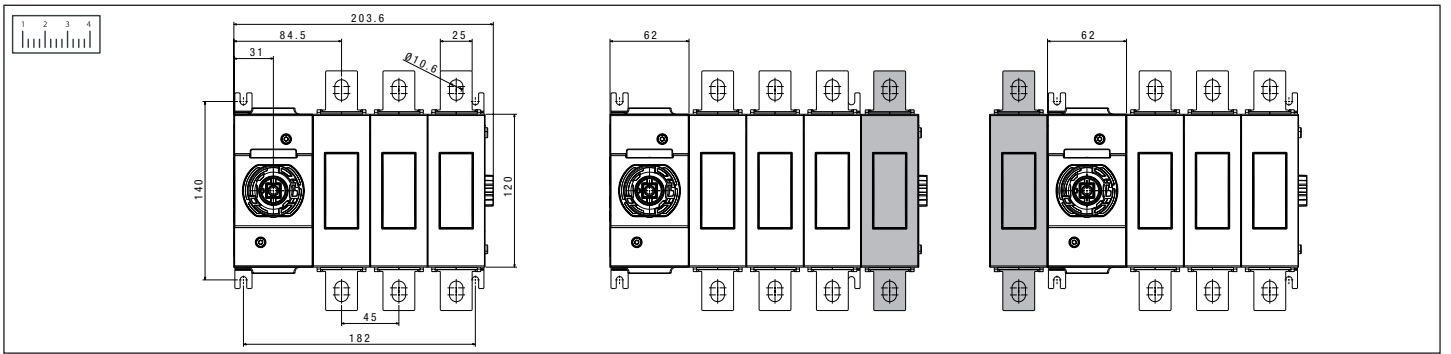


AC21A - AC22A - AC23A

		415V~	500V~ 690V~
GW 70 076	3P	315 A	315 A(*)
GW 70 077	4P	315 A	315 A(**)
GW 70 079	3P	400 A	400 A(*)
GW 70 080	4P	400 A	400 A(**)

(*) GW 70 076 / GW 70 079 + GW 70 173
 (**) GW 70 077 / GW 70 080 + GW 70 174

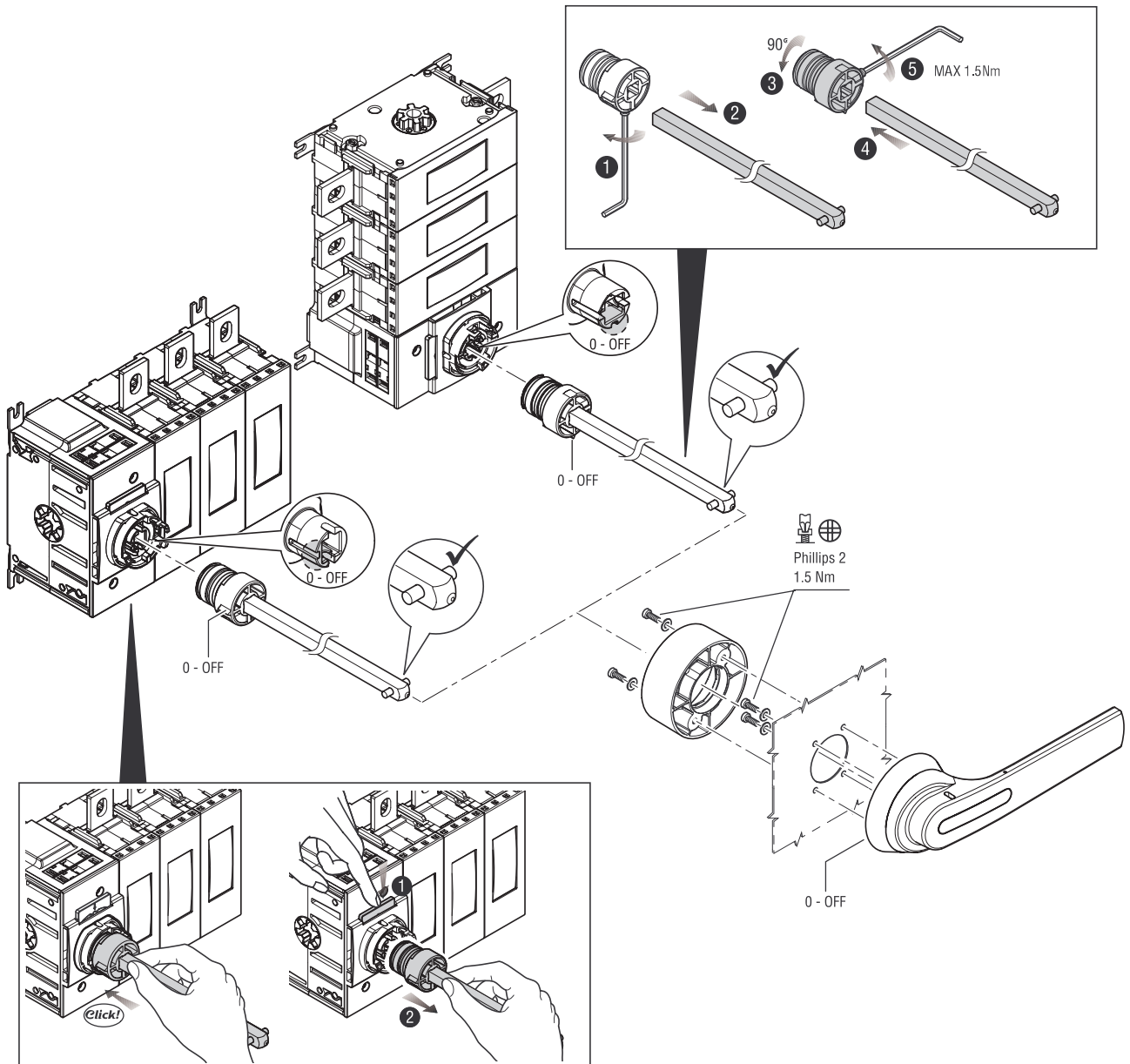


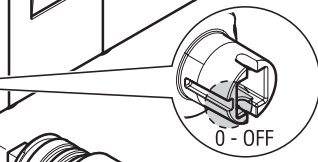
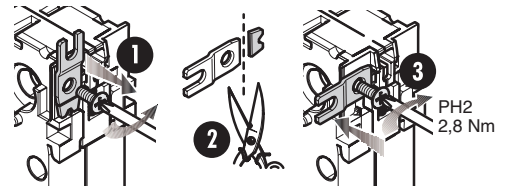
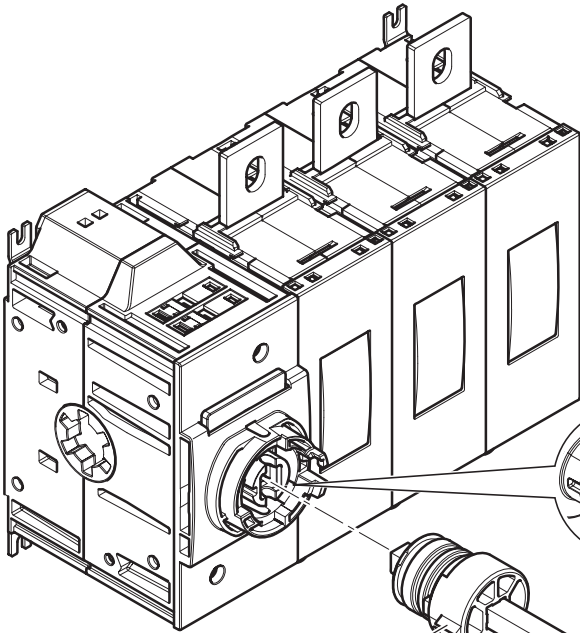




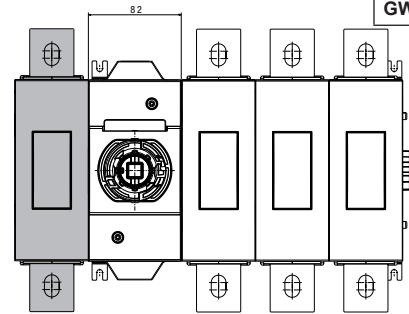
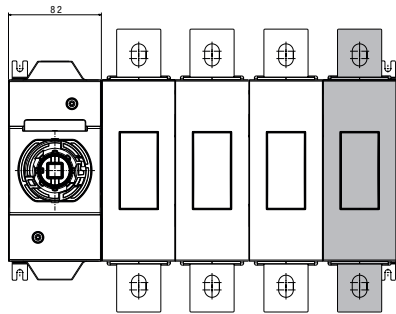
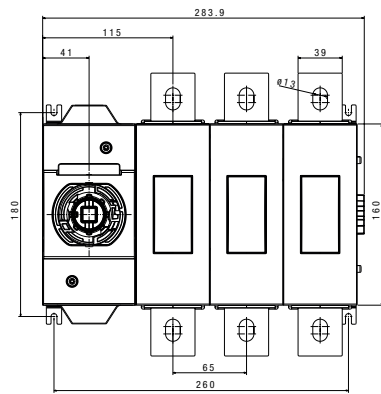
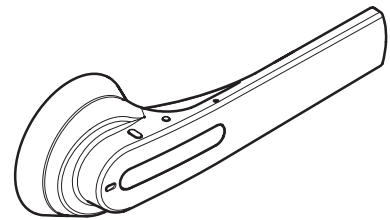
		AC21A			AC22A			AC23A		
		415V~	500V~	690V~	415V~	500V~	690V~	415V~	500V~	690V~
GW 70 085	3P	630 A	630 A(*)	630 A(*)	630 A	630 A(*)	630 A(*)	630 A	630 A(*)	630 A(*)
GW 70 086	4P	630 A	630 A(**)	630 A(**)	630 A	630 A(**)	630 A(**)	630 A	630 A(**)	630 A(**)
GW 70 088	3P	800 A	800 A (*)	800 A (*)	800 A	800 A (*)	800 A (*)	800 A	800 A (*)	800 A (*)
GW 70 089	4P	800 A	800 A (**)	800 A (**)	800 A	800 A (**)	800 A (**)	800 A	800 A (**)	800 A (**)
GW 70 091	3P	1000 A	1000 A	1000 A	1000 A	1000 A	800 A	1000 A	1000 A	800 A
GW 70 092	4P	1000 A	1000 A	1000 A	1000 A	1000 A	800 A	1000 A	1000 A	800 A

(*) GW 70 085 / GW 70 088 + GW 70 175
 (**) GW 70 086 / GW 70 089 + GW 70 176

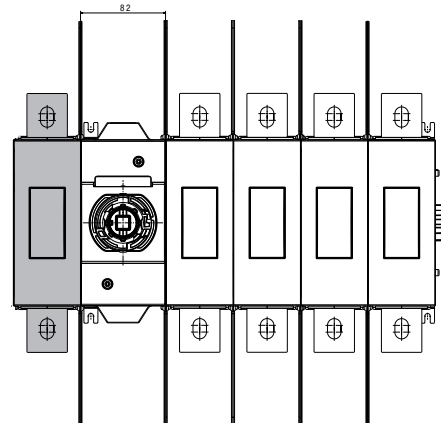
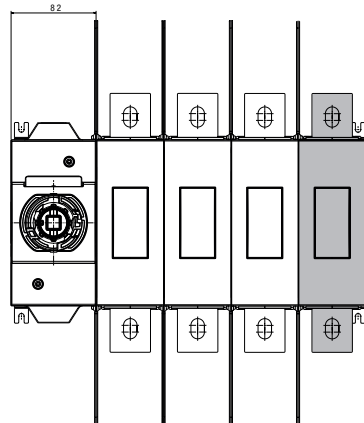
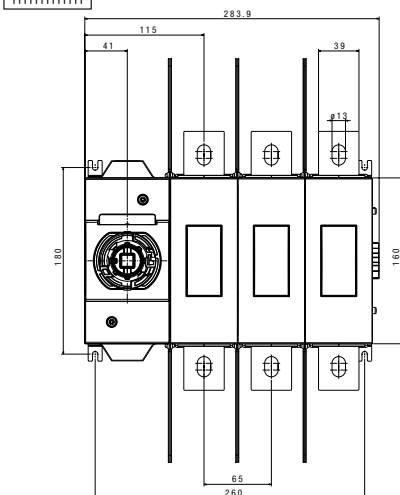




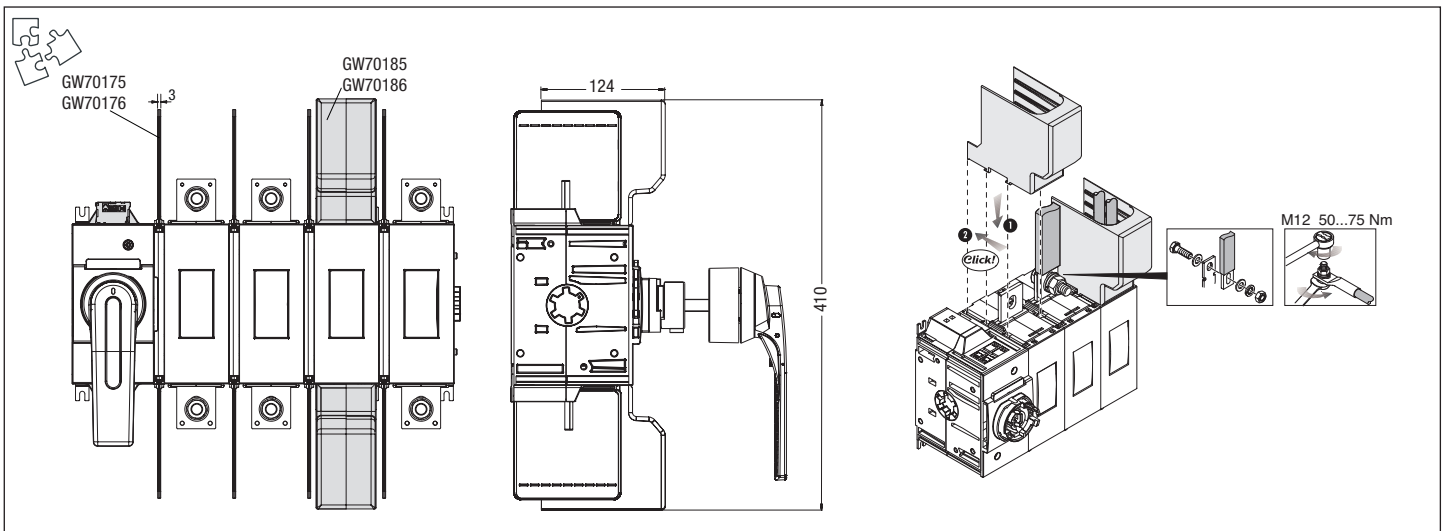
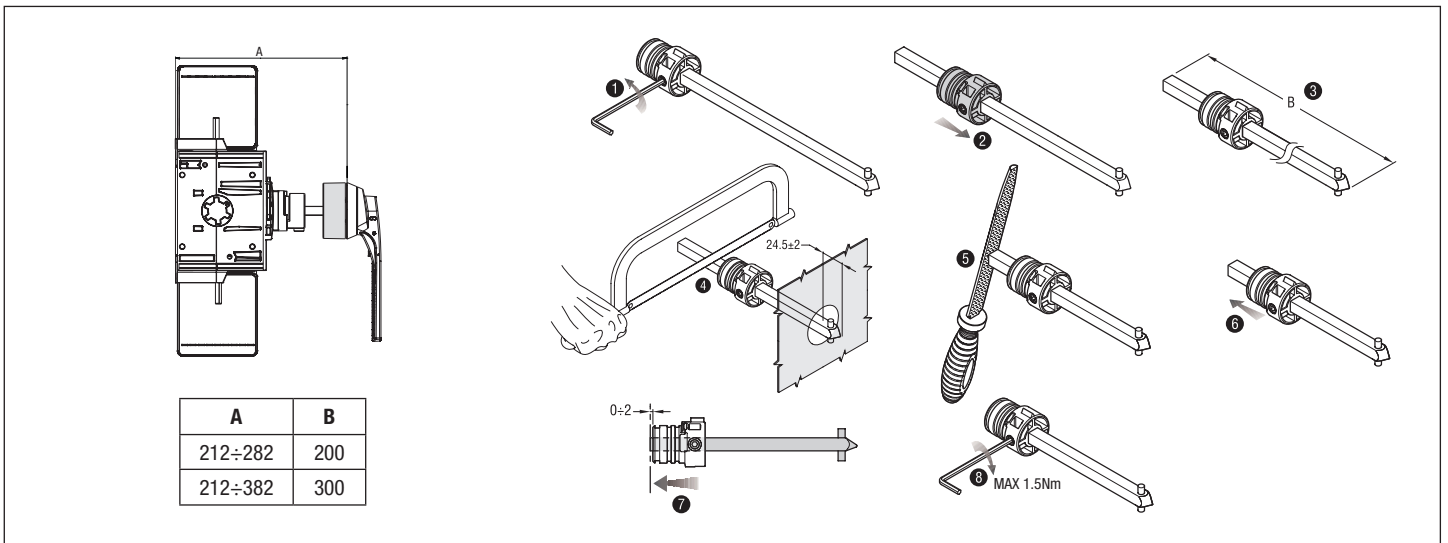
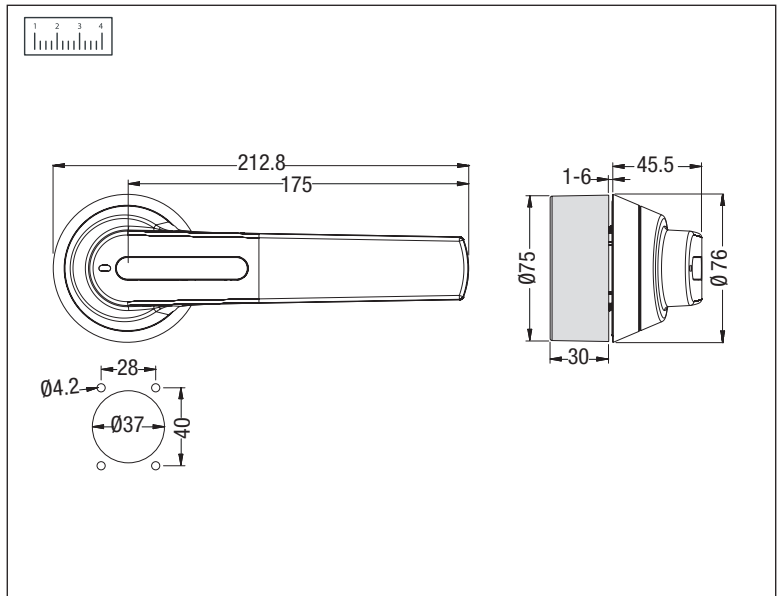
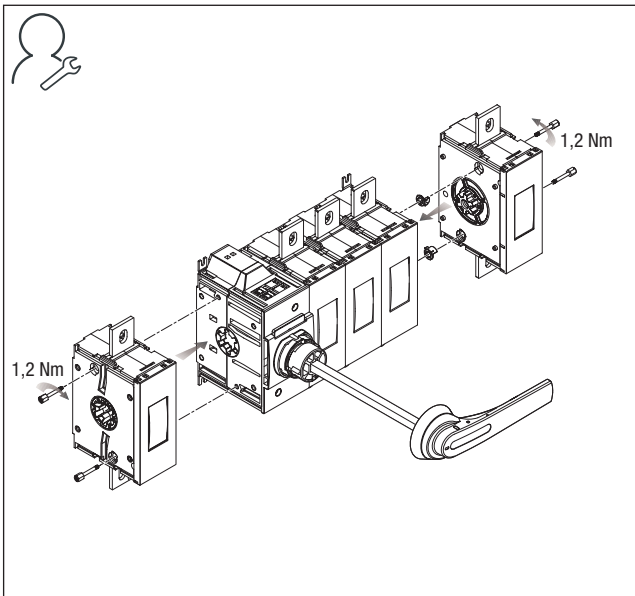
0 - OFF



GW 70 085
GW 70 086
GW 70 088
GW 70 089

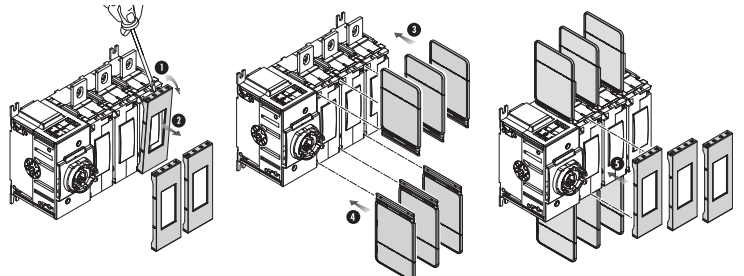


GW 70 091
GW 70 092



⚠ ≥500V~
 GW 70 085 / GW 70 088 + GW 70 175
 GW 70 086 / GW 70 089 + GW 70 176

≥415V~
 GW 70 091
 GW 70 092



Punto di contatto indicato in adempimento ai fini delle direttive e regolamenti UE applicabili:
Contact details according to the relevant European Directives and Regulations:
GEWISS S.p.A. Via D.Bosatelli, 1 IT-24069 Cenate Sotto (BG) Italy tel: +39 035 946 111 E-mail: qualitymarks@gewiss.com

According to applicable UK regulations, the company responsible for placing the goods in UK market is:
GEWISS UK LTD - Unity House, Compass Point Business Park, 9 Stocks Bridge Way, ST IVES
Cambridgeshire, PE27 5JL, United Kingdom tel: +44 1954 712757 E-mail: gewiss-uk@gewiss.com



+39 035 946 111

8:30 - 12:30 / 14:00 - 18:00

lunedì - venerdì / monday - friday



www.gewiss.com

