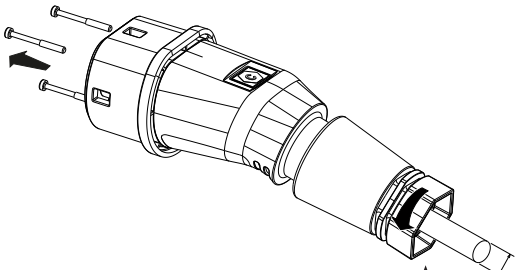
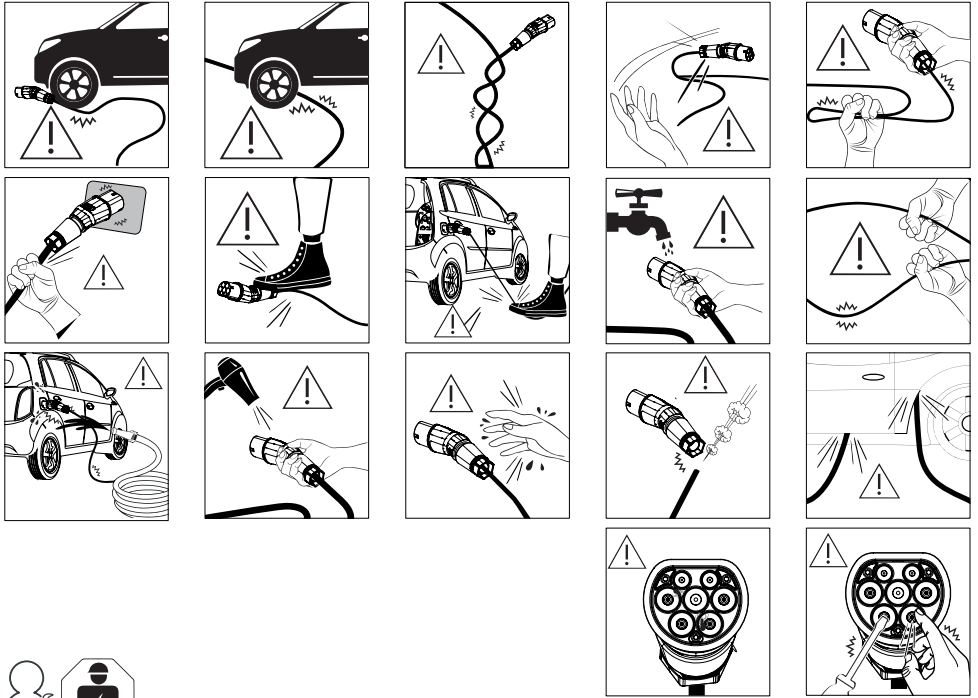


I-CORD

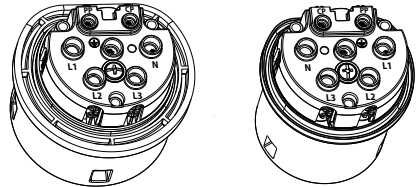
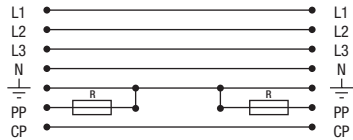
CE UK
CA

GEWISS

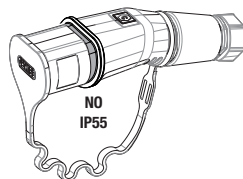
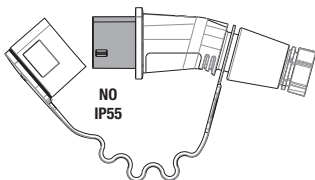
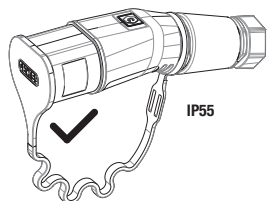
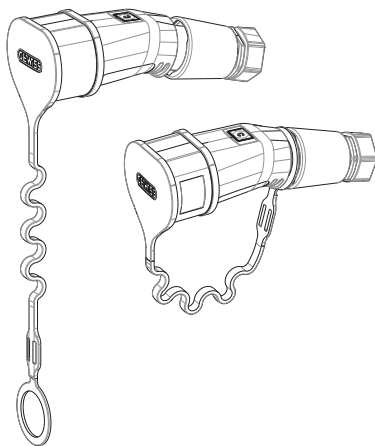
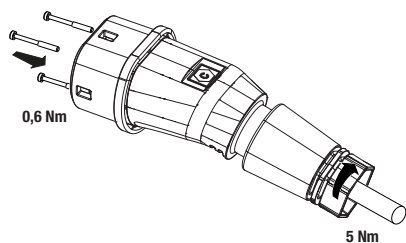
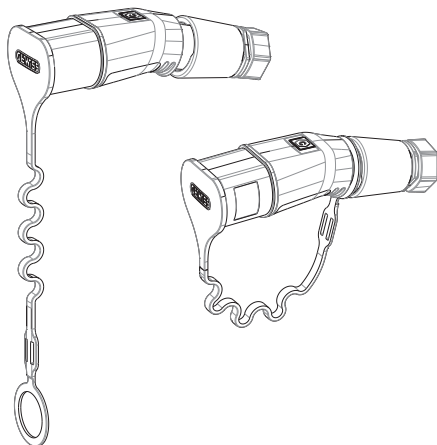
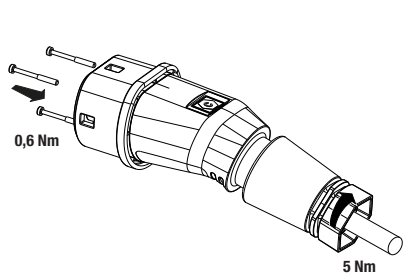


$\emptyset_{min} = 9mm$
 $\emptyset_{max} = 18mm$

| | \emptyset | Rc |
|----|---------------------|--------------|
| 3G | 2,5 mm ² | 680 Ω |
| 3G | 6 mm ² | 220 Ω |
| 5G | 2,5 mm ² | 680 Ω |
| 5G | 6 mm ² | 220 Ω |



| | Nm |
|-----------------------------|--------|
| L1 | 1 Nm |
| L2 | 1 Nm |
| L3 | 1 Nm |
| N | 1 Nm |
| $\frac{\text{—}}{\text{—}}$ | 1 Nm |
| PP | 0,4 Nm |
| CP | 0,4 Nm |



Punto di contatto indicato in adempimento ai fini delle direttive e regolamenti UE applicabili:
Contact details according to the relevant European Directives and Regulations:
GEWISS S.p.A. Via D.Bosatelli, 1 IT-24069 Cenate Sotto (BG) Italy tel: +39 035 946 111 E-mail: qualitymarks@gewiss.com

According to applicable UK regulations, the company responsible for placing the goods in UK market is:
GEWISS UK LTD - Unity House, Compass Point Business Park, 9 Stocks Bridge Way, ST IVES
Cambridgeshire, PE27 5JL, United Kingdom tel: +44 1954 712757 E-mail: gewiss-uk@gewiss.com

+39 035 946 111
8:30 - 12:30 / 14:00 - 18:00
lunedì - venerdì / monday - friday

 www.gewiss.com

