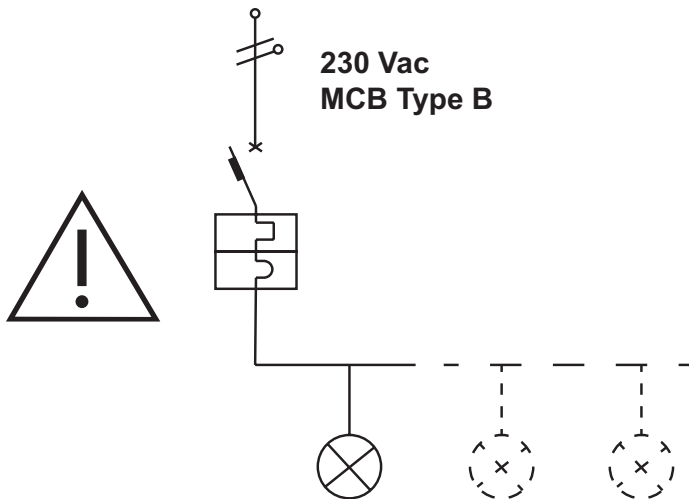


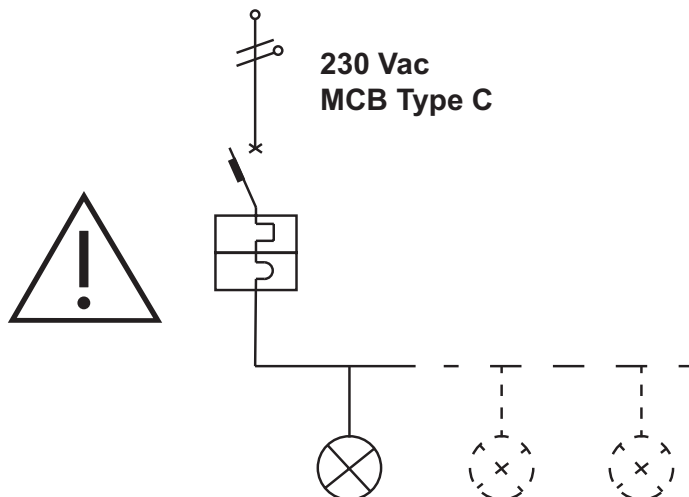
IP66  
IP69



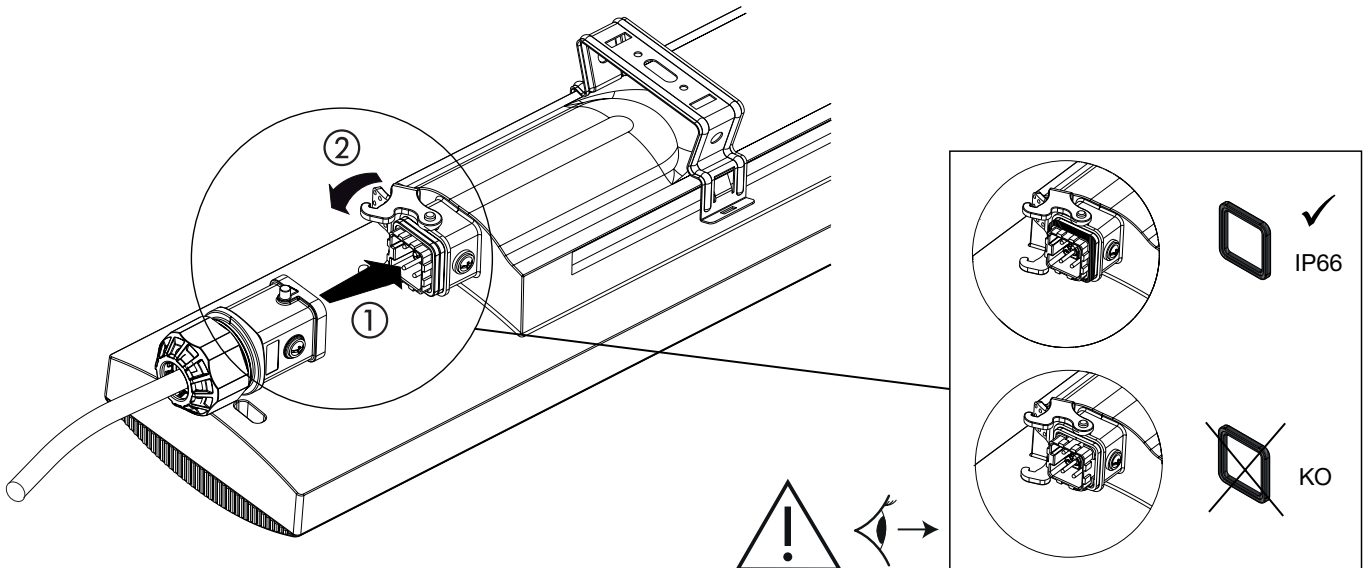
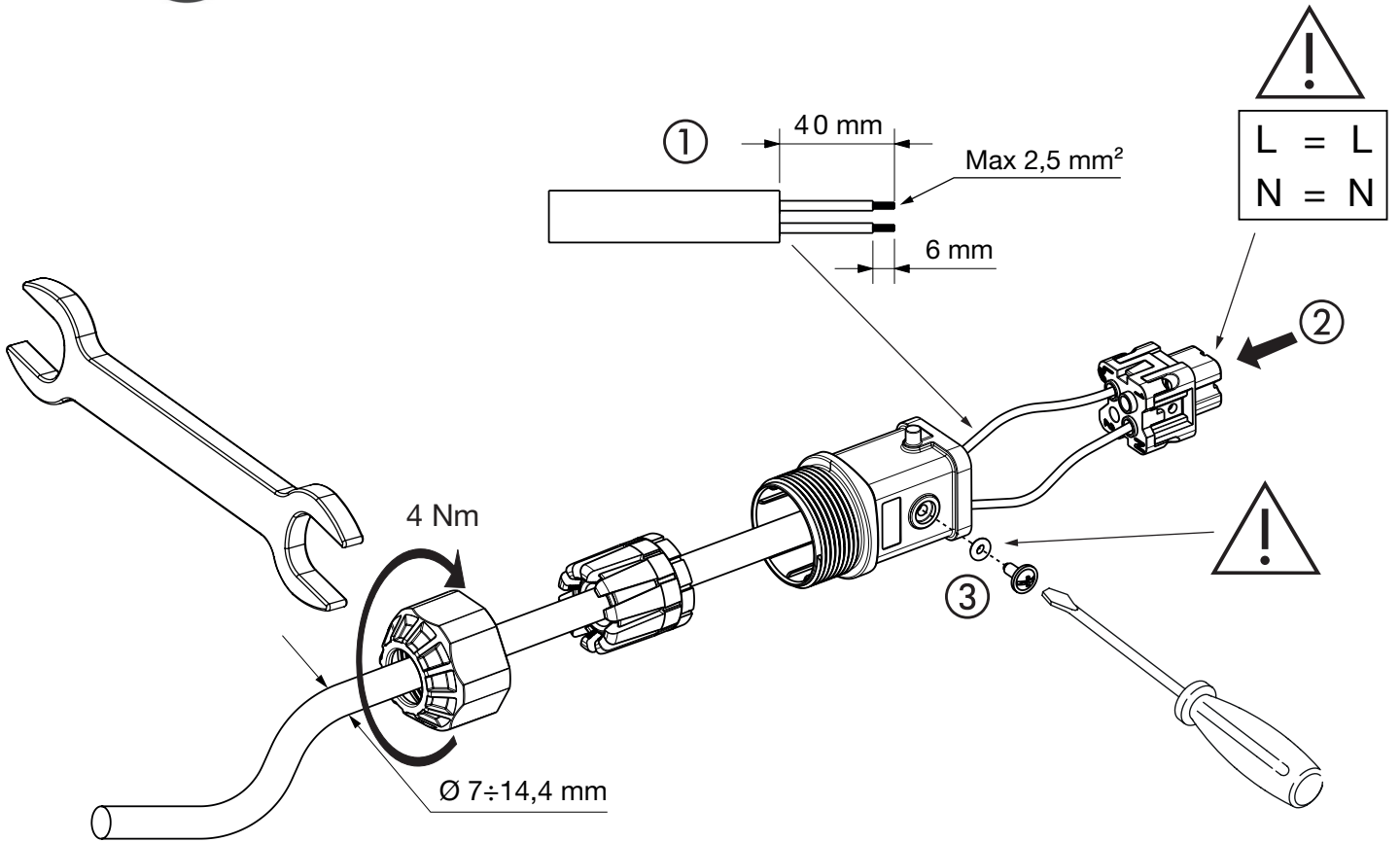
$t_a +40^{\circ}\text{C}$

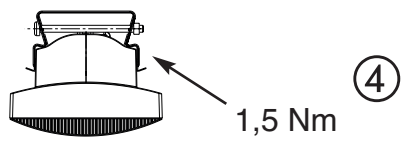
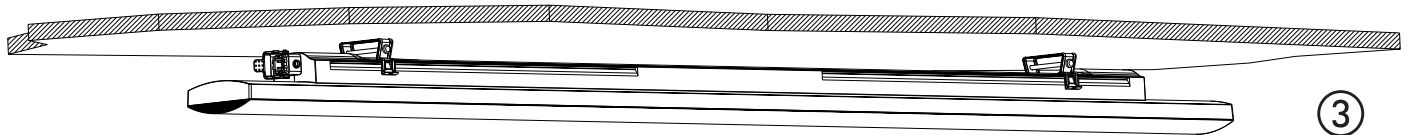
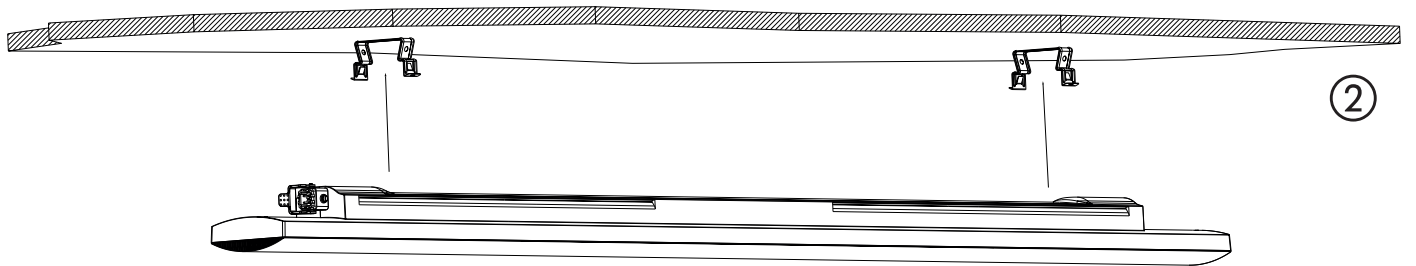
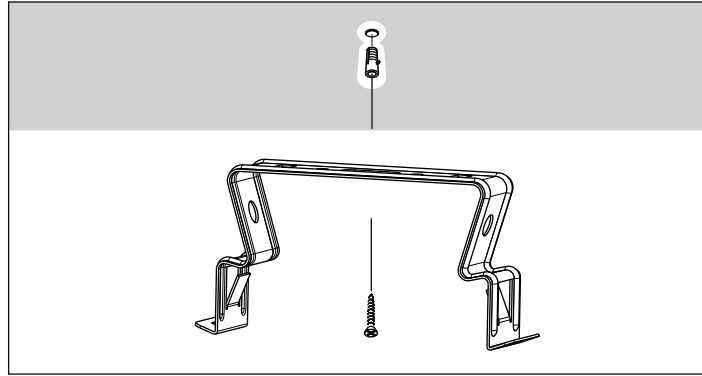


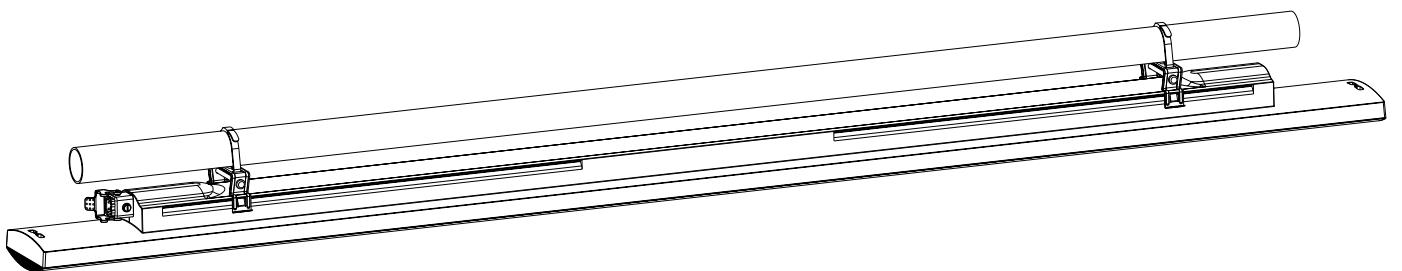
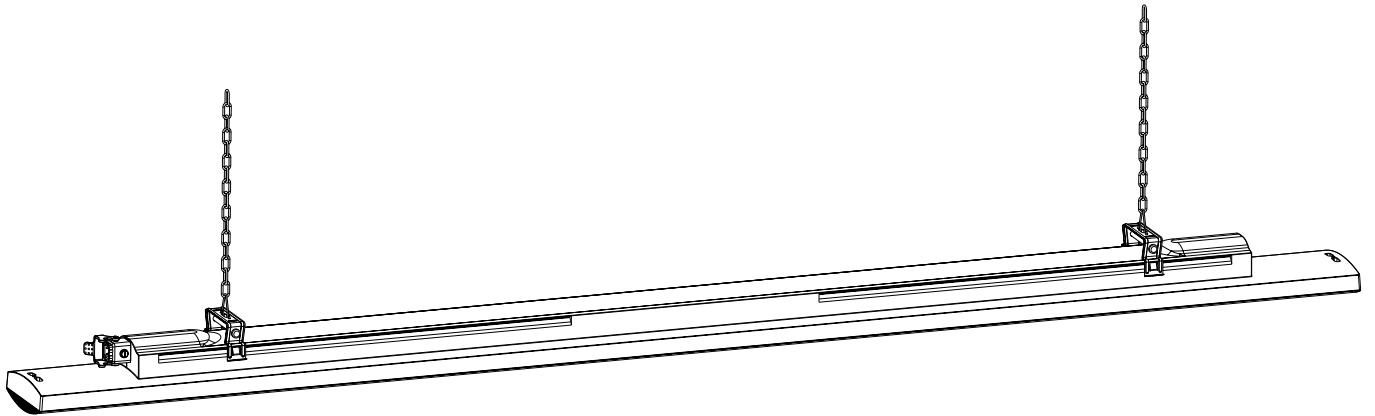
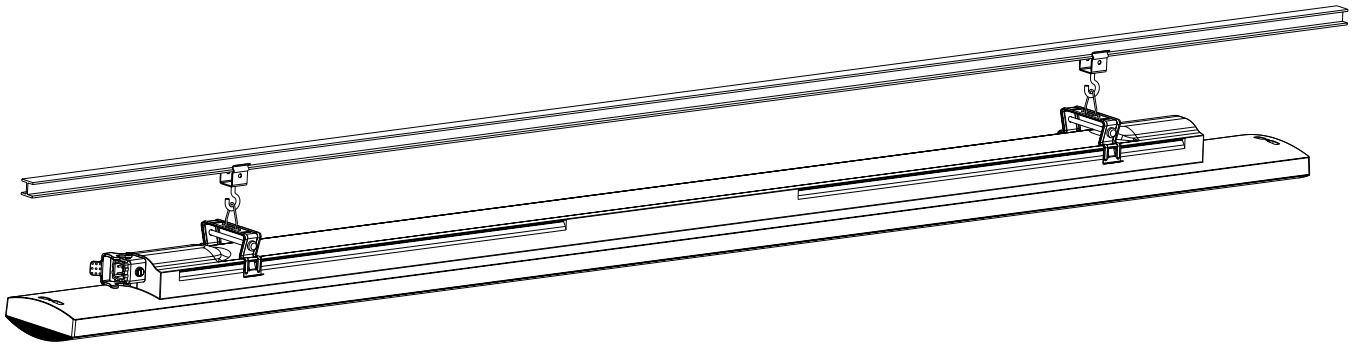
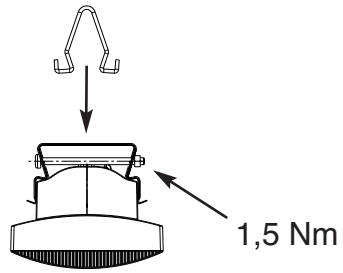
MCB current	10 A	16 A	20 A
max no. SMART [3]	13	24	30

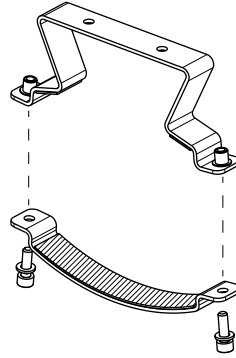
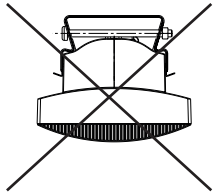
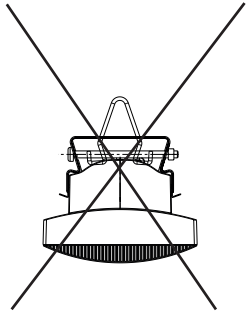
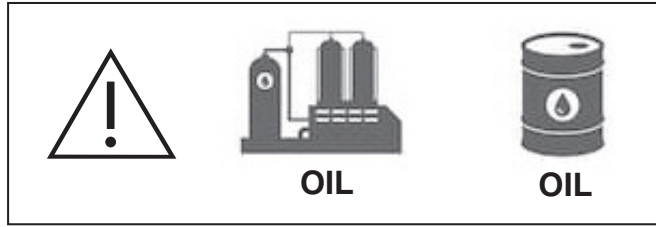


MCB current	10 A	16 A	20 A
max no. SMART [3]	25	40	50

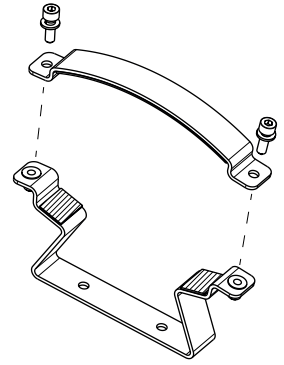




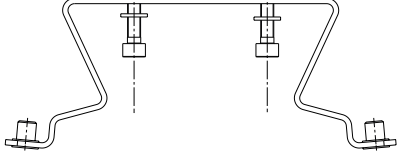
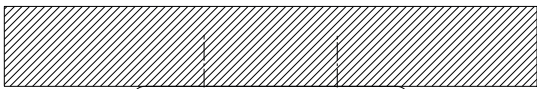




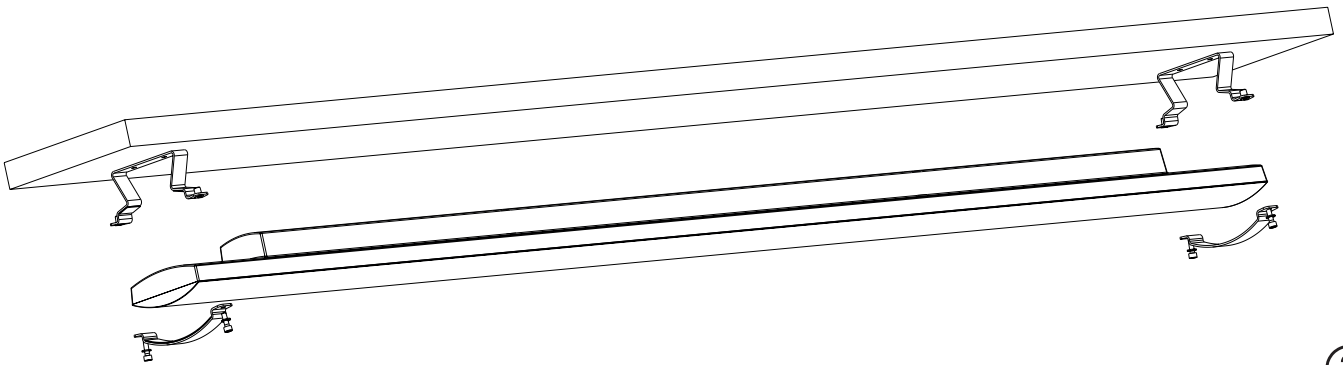
OK! ✓



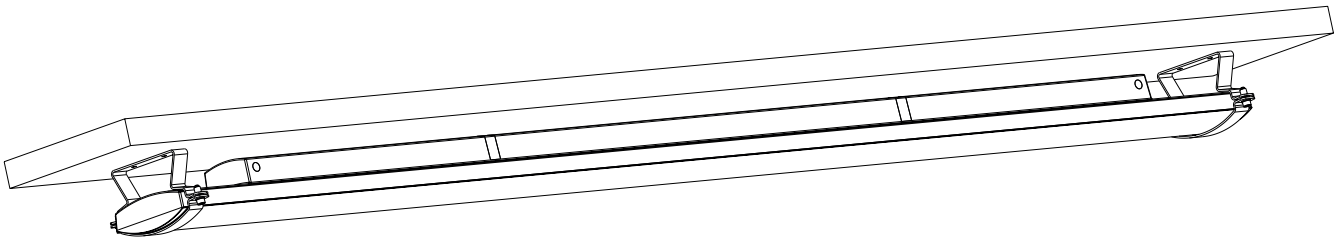
GWS3296



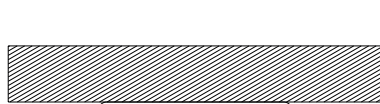
①



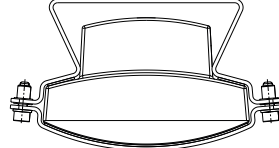
②



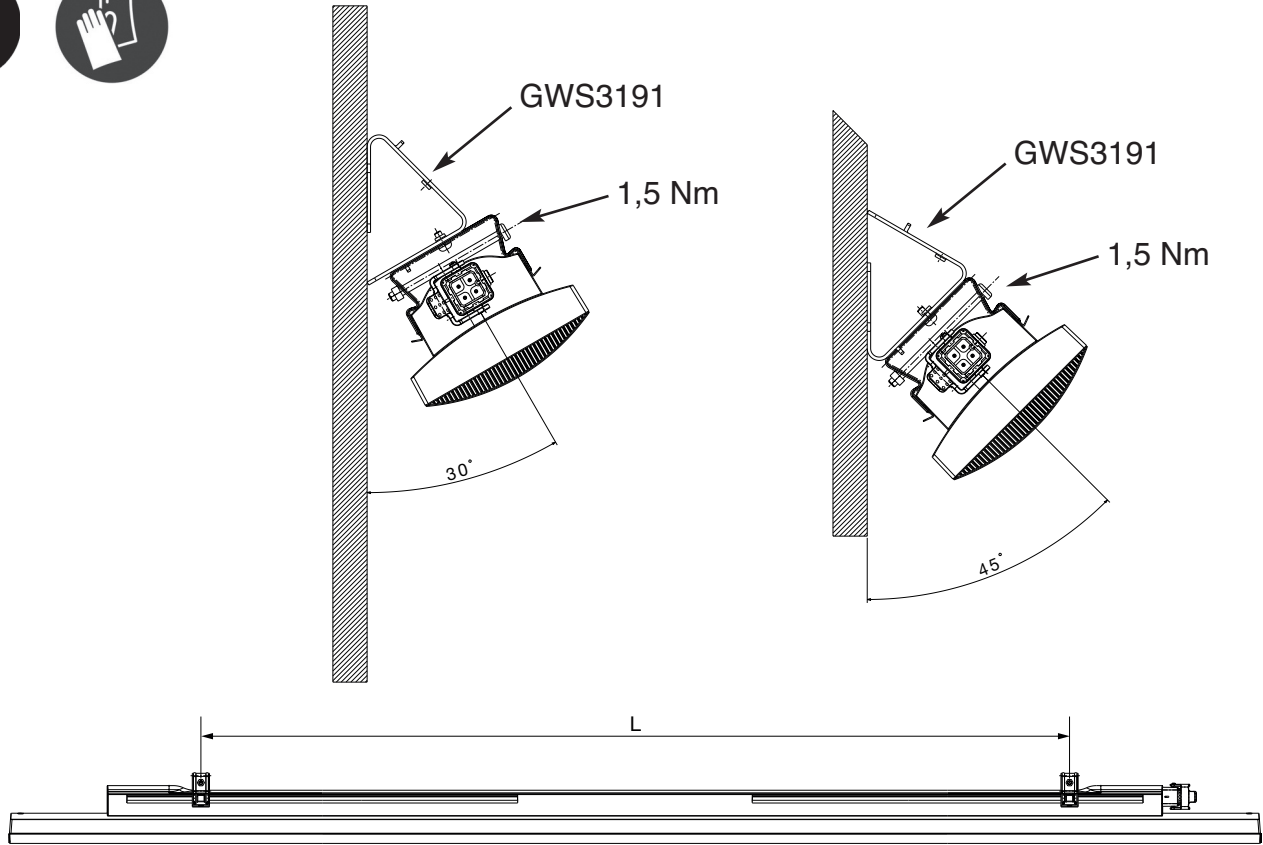
③



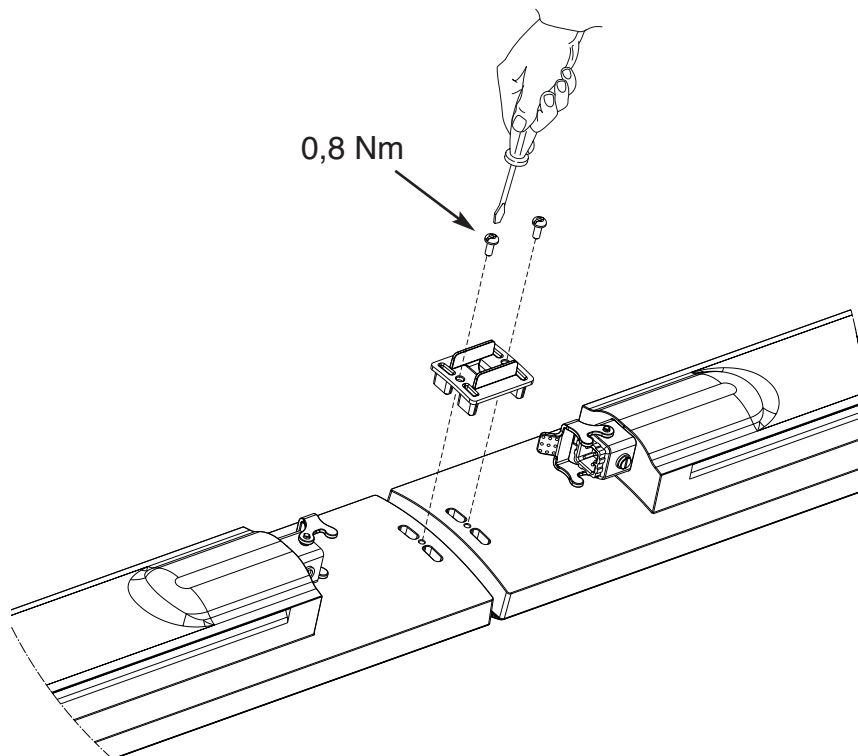
④

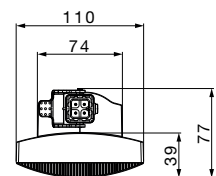
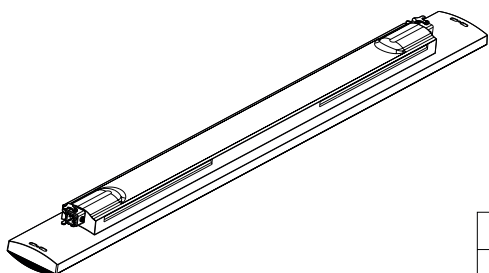
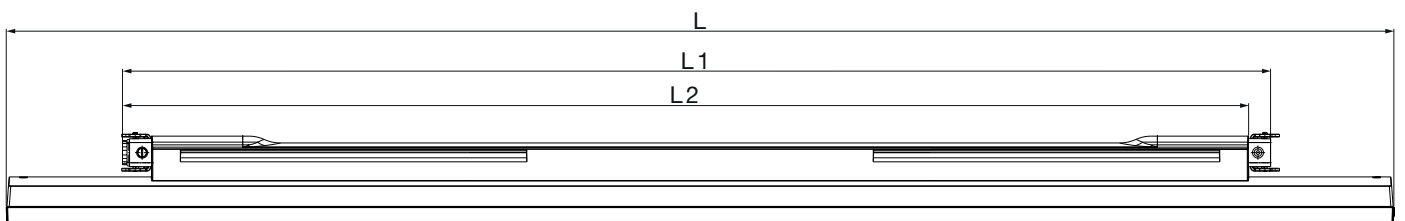
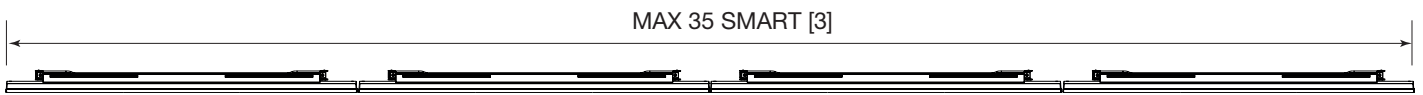
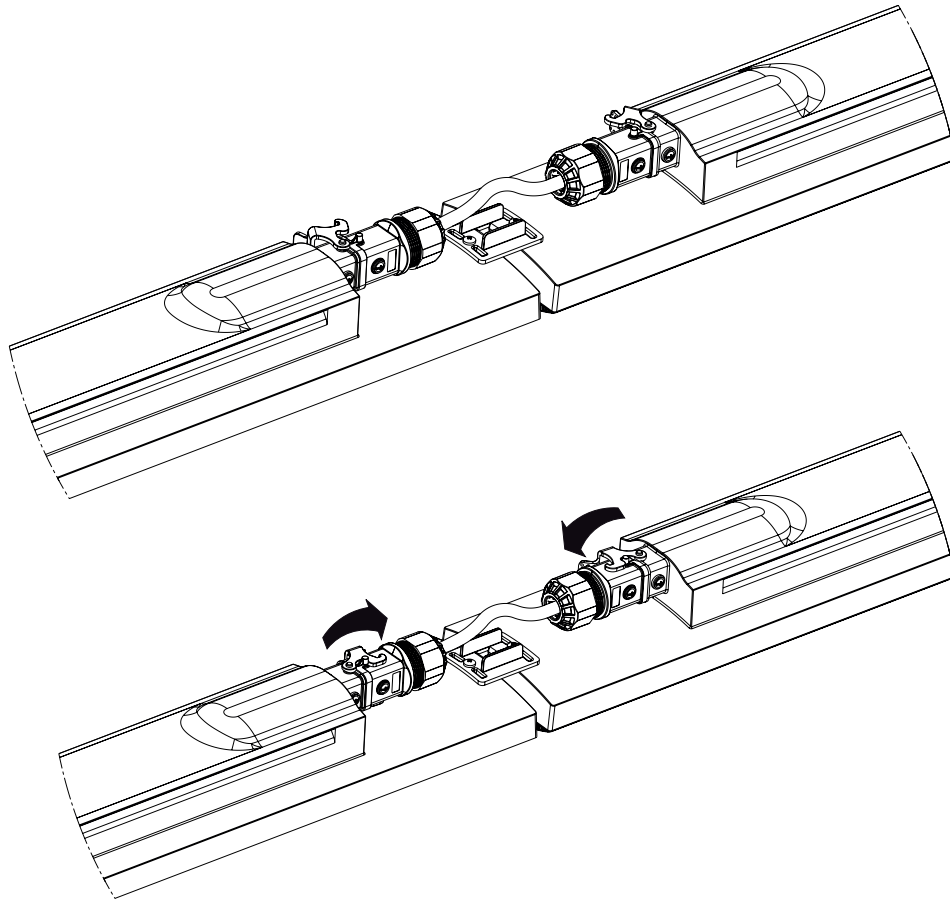


2 Nm



	<b>L</b>
SMART [3] 800	250÷475 mm
SMART [3] 1200	350÷910 mm

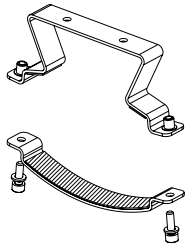




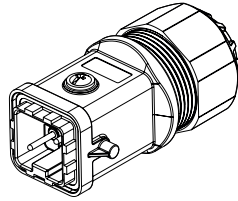
	<b>L</b>	<b>L1</b>	<b>L2</b>
SMART [3] 800	800	//	550
SMART [3] 1200	1200	//	970
SMART [3] 1200 LP	1200	990	//



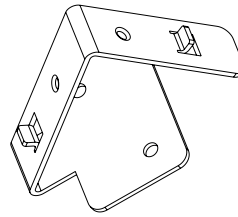
GWS3296



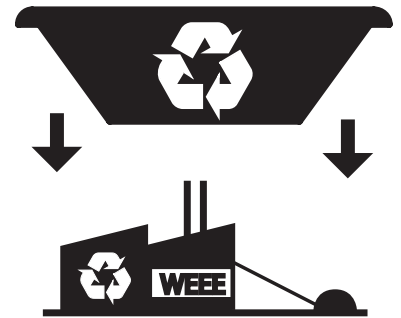
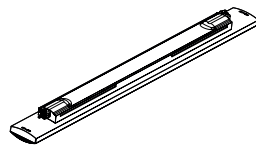
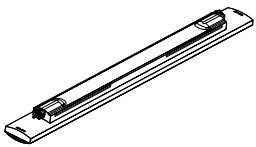
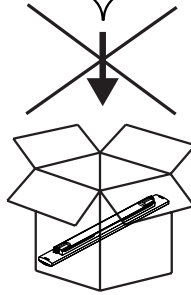
GWS3192



GWS3191



GWS3193



Punto di contatto indicato in adempimento ai fini delle direttive e regolamenti UE applicabili:  
Contact details according to the relevant European Directives and Regulations:

GEWISS S.p.A. Via A.Volta, 1 IT-24069 Cenate Sotto (BG) Italy tel: +39 035 946 111 E-mail: qualitymarks@gewiss.com



+39 035 946 111  
8.30 - 12.30 / 14.00 - 18.00  
lunedì - venerdì - monday - friday



+39 035 946 260



sat@gewiss.com  
www.gewiss.com