

JB5 - 2 Core cable

Assembly Instructions

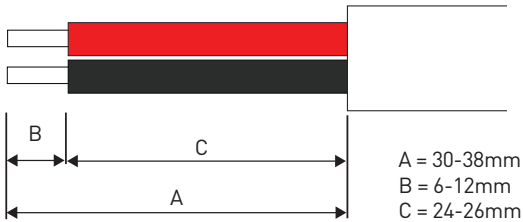


COLLINGWOOD
LIGHTING LTD

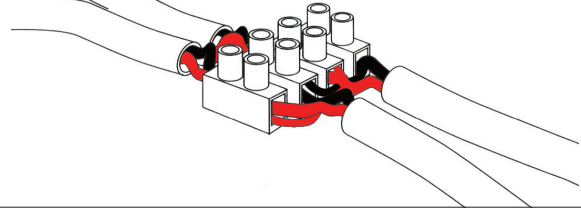
IP68 to a maximum depth of 1.3 metres.

Use 0.75mm² or 1mm² round cable for all link leads and for any cable extensions. Do not use smaller cable - the cable clamps will not secure the cables. Do not use larger cable - the connector block connections will not accommodate two larger wires. Minimum cable diameter is 6.5mm.

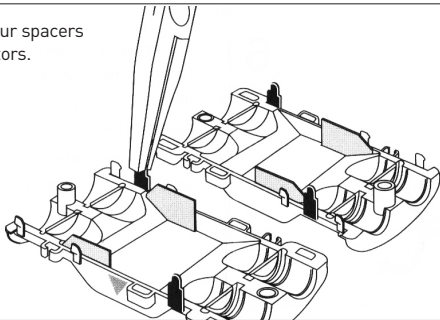
Ideal wire stripping



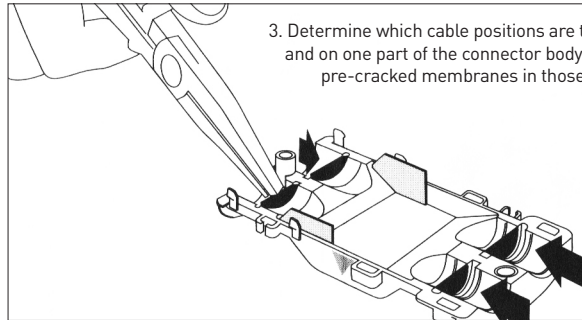
1. Refer overleaf to wiring instructions, and wire the first JB5 connector block.
NOTE- ensure any link leads are sufficiently long before starting.



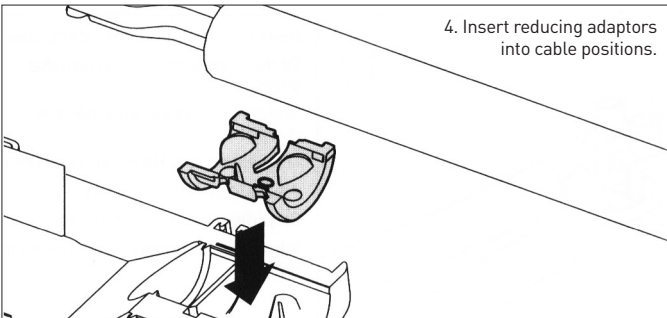
2. Break the four spacers on the connectors.



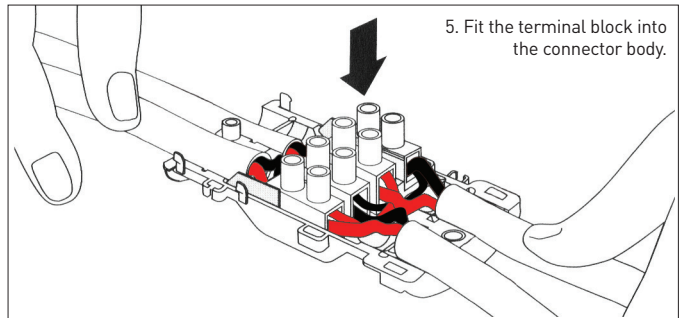
3. Determine which cable positions are to be used, and on one part of the connector body, break the pre-cracked membranes in those positions.



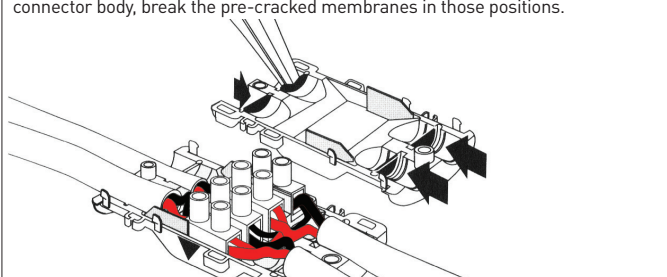
4. Insert reducing adaptors into cable positions.



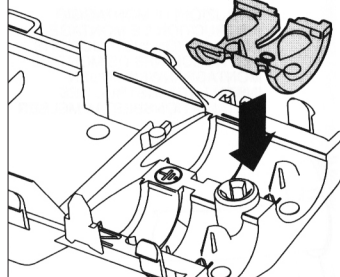
5. Fit the terminal block into the connector body.



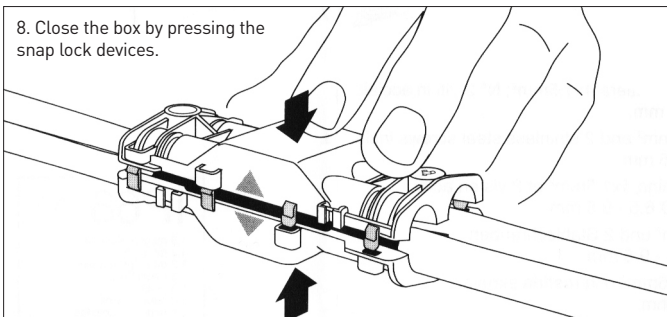
6. Determine which cable positions are to be used, and on the second part of the connector body, break the pre-cracked membranes in those positions.



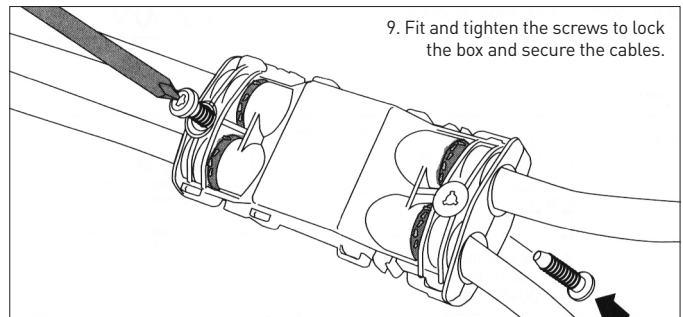
7. Insert reducing adaptors into cable positions.



8. Close the box by pressing the snap lock devices.



9. Fit and tighten the screws to lock the box and secure the cables.



Repeat the above steps for each JB5.

The box can be reopened and resealed as necessary.

JB5 - 2 Core cable

Parallel Wiring Instructions



COLLINGWOOD
LIGHTING LTD

NOTE: The wiring configurations shown can also be used for 2 core mains cable connections. Brown wires are connected as per red ones in the diagrams. Blue wires are connected as per black ones in the diagrams.
Suggested methods of parallel wiring are shown in the diagrams below. Maximum current capacity of connector is 16A.
Read assembly instruction (overleaf) before commencing wiring.

Diagram 1 - 1 LED Unit

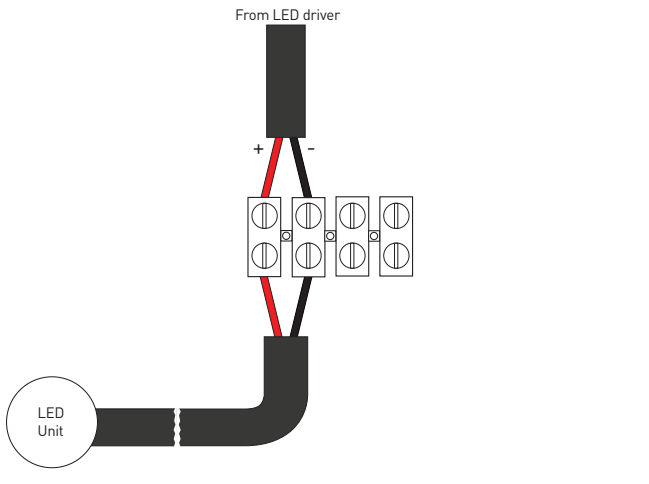


Diagram 2 - 2 LED Units

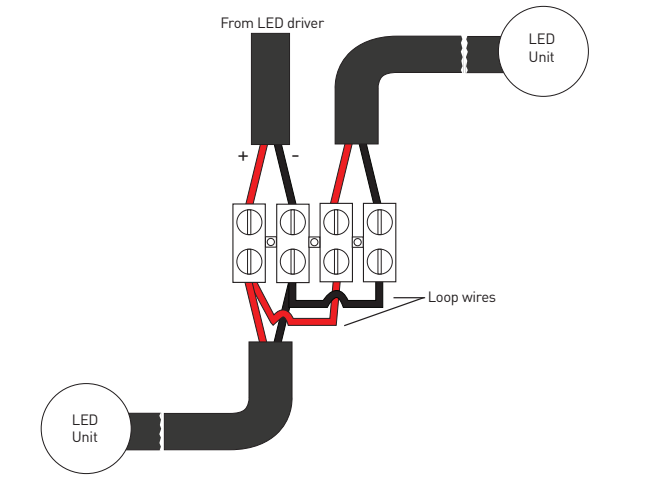


Diagram 3 - 3 LED Units

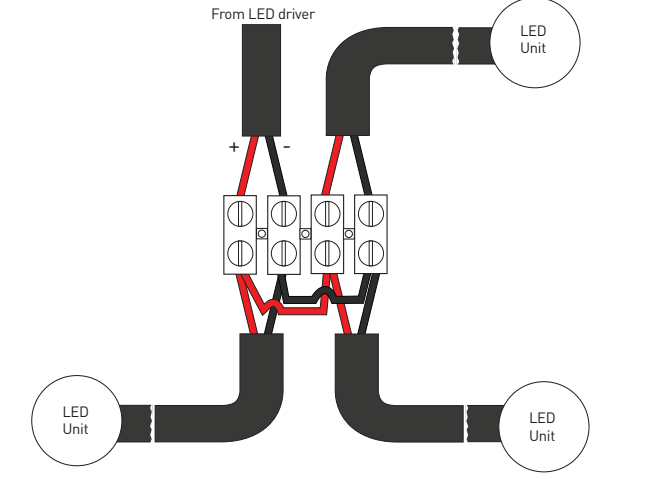
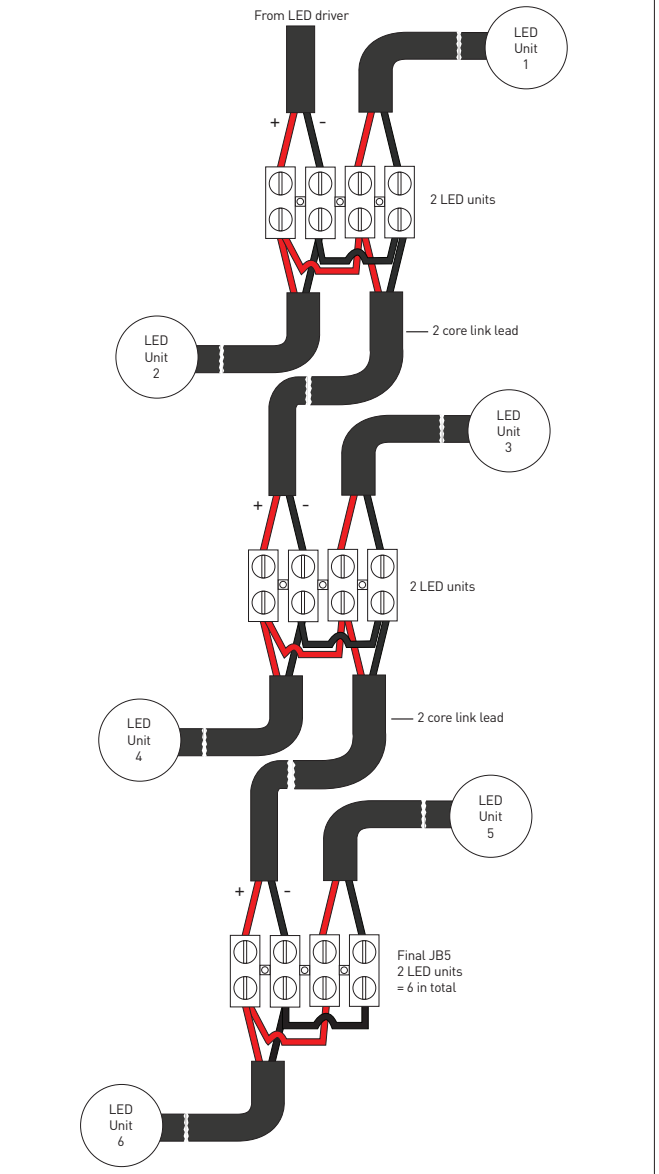


Diagram 4 - More than 3 LED Units

Wire 2 LED units per JB5, then a final JB5 as required.
Example shown below is for 6 LED units.



Above example for 6 LED units shows the last JB5 wired as per Diagram 2 (2 LED units).

For 7 LED units, the last JB5 is wired as per Diagram 3 (3 LED units).

In this way, any number of units can be wired in parallel, providing the LED driver is not overloaded.

e.g. 9 units = 3 x 2 plus the last JB5 with 3 units.

NOTE- If desired, JB5s can be linked with only one LED unit on each JB5. For example, if LED unit 3 above is not required, leave those two connector terminals empty.