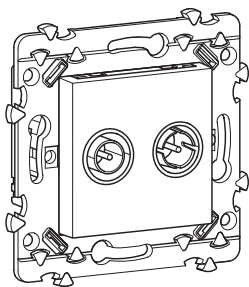


- (FR) Prises TV / FM / SAT
- (EN) Contacts TV / FM / SAT
- (NL) Aansluitpunt TV / FM / SAT

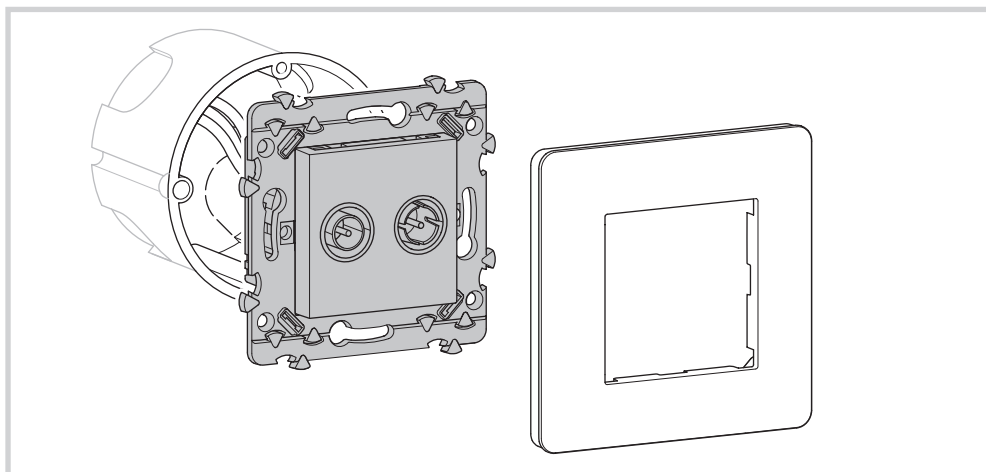
6W5304.d



## WE250...WE259

### essensya


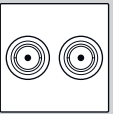

#### Montage



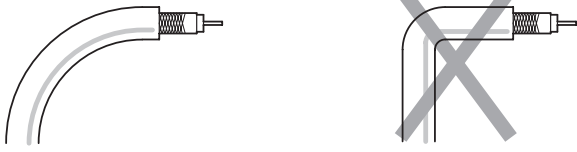
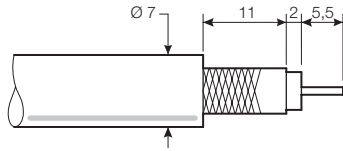
#### Caractéristiques techniques / Technical characteristics / Technische gegevens

Impédance Impedance Impedantie	75 Ω
Raccordement / Electrical connection / Aansluiting	
TV Mâle Male Mannelijk	Ø 9,52 mm
FM Femelle Female Vrouwelijk	Ø 9,52 mm
SAT	Type "F"
Normes Standards Normen	NF EN 50083 UTE 90123 UTE 90125

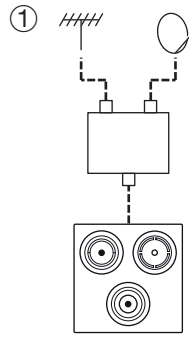
#### Domaines d'application Field of application Toepassingsgebieden

	Ref.	Type	dB	mA	DC	Back voice	Band 1	Band FM	VHF	UHF	SAT
						4-30	47-68	87,5-108	120-470	470-862	950-2400
					MHz	MHz	MHz	MHz	MHz	MHz	MHz
	WE250 WE250G	Prise directe Direct socket Rechtstreeks contact	< 1 dB	500 mA	TV	RADIO FM	TV	TV	TV	TV	SAT
	WE253 WE253G	Prise directe Direct socket Rechtstreeks contact	< 1 dB								
TV+FM+SAT	WE256	Prise 1 entrée Socket 1 input Contact 1 ingang		500 mA							
	WE257	Prise 2 entrées Socket 2 inputs Contact 2 ingangen		500 mA							
	WE258	Prise directe double type F Double direct socket type F Doppelt Enddose Typ F	< 4 dB								
	WE259	Prise directe type F Direct socket type F Rechtstreeks contact Type F	< 1 dB	500 mA							

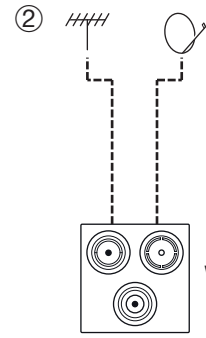
Coaxial / Coaxial / Coaxiaal



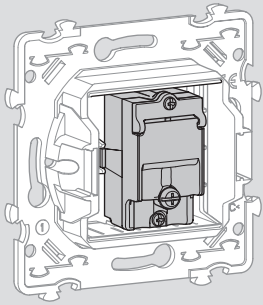
TV + FM + SAT



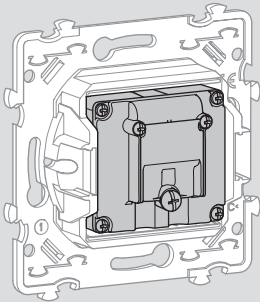
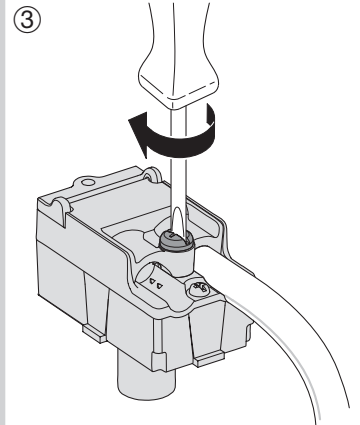
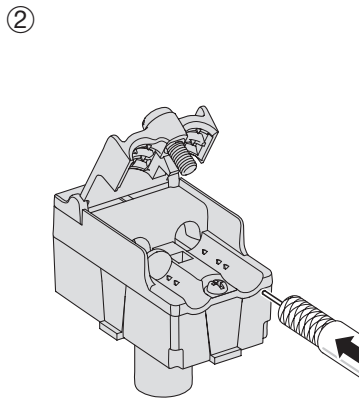
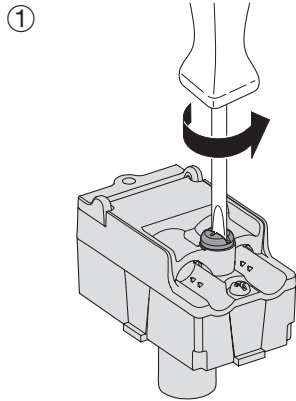
WE256



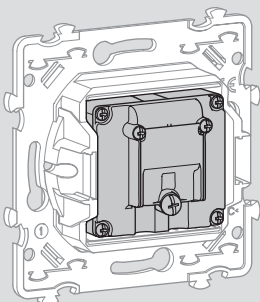
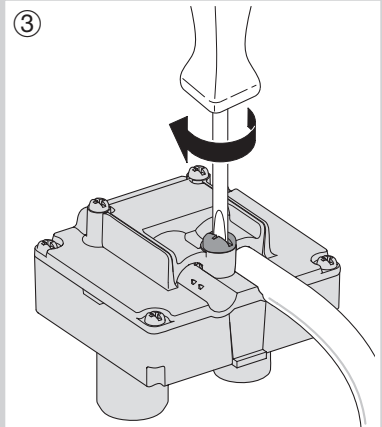
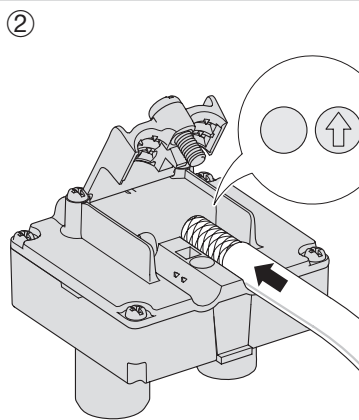
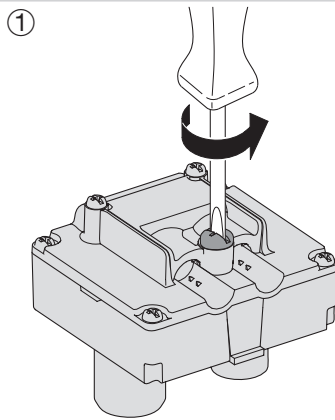
WE257



WE258  
WE250 / WE 250G / WE259



WE253, WK253G, WK256



WE257

