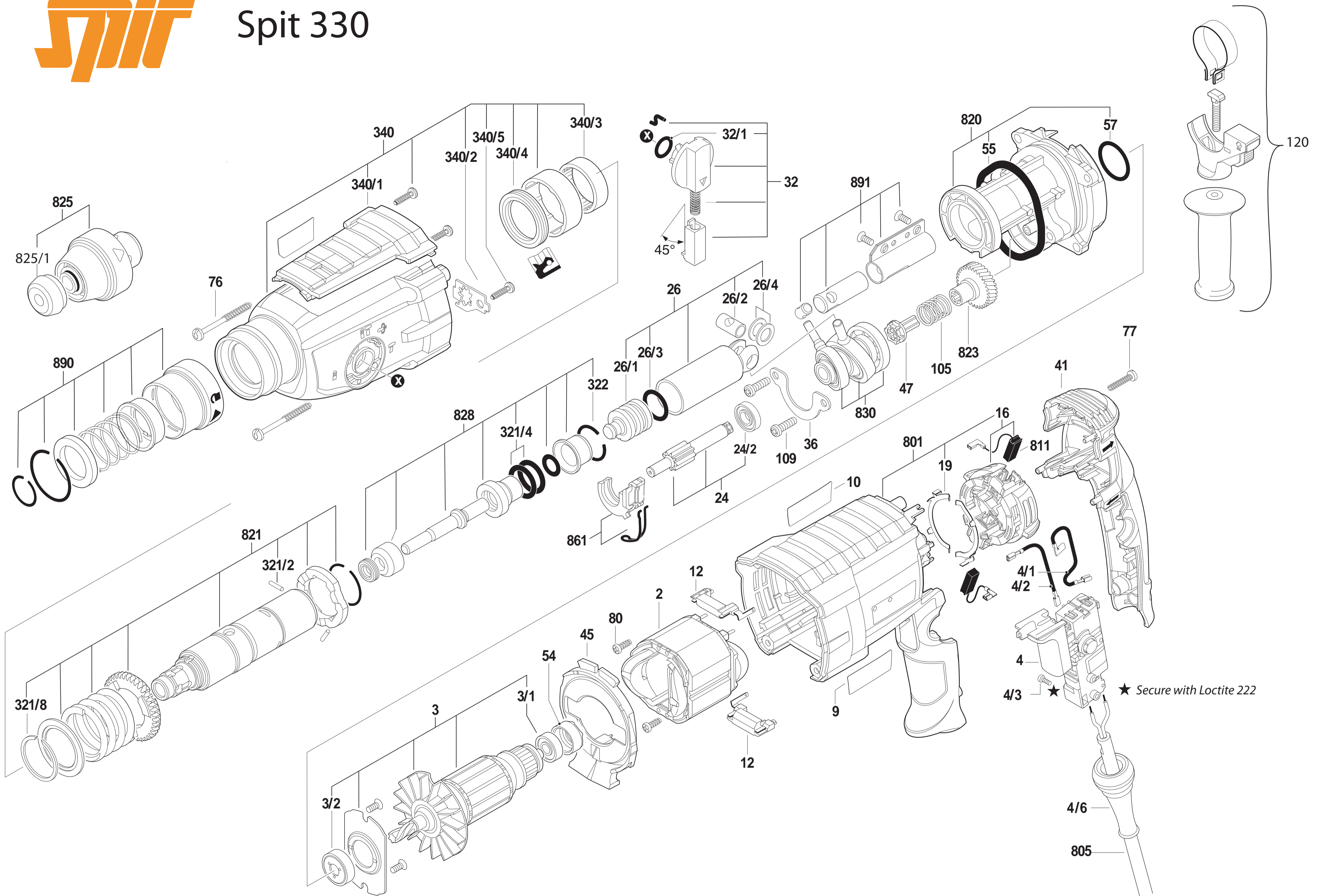




Spit 330





Liste pièces détachées / Spare parts list Perforateur piqueur 330 SDS+

| | | | |
|-------|--------|-------------------------------|---------------------------|
| 02 | 652842 | Stator 230V | Field 230V |
| 03 | 652843 | Ensemble induit 230V | Armature 230V |
| 3/1 | 652834 | Roulement d'induit | Deep-Groove Ball Bearing |
| 3/2 | 128410 | Roulement ventilateur | Deep-Groove Ball Bearing |
| 04 | 652363 | Interrupteur | Switch |
| 4/1 | 652323 | Fil de connexion | Connecting Cable |
| 4/2 | 652324 | Fil de connexion | Connecting Cable |
| 4/3 | 652308 | Vis serre câble | Lens Head Screw |
| 4/6 | 652327 | Protege câble | Grommet |
| 09 | 652844 | Etiquette laterale gauche | Manufacturer's nameplate |
| 10 | 652845 | Etiquette laterale droite | Manufacturer's nameplate |
| 12 | 652350 | Antiparasite | Suppression Filter |
| 16 | 652361 | Couronne porte balais | Brush Plate |
| 19 | 652314 | Contact branchement | Switch Contact |
| 24 | 652860 | Ensemble arbre entrainement | Drive shaft set |
| 24/2 | 363270 | Roulement d'arbre | Deep-Groove Ball Bearing |
| 26 | 652832 | Ensemble chemise | Hammer Piston |
| 26/1 | 652797 | Frappeur | Striker |
| 26/2 | 652798 | Axe de piston | Piston Pin |
| 26/3 | 10214 | Joint piston | O-Ring |
| 26/4 | 652800 | Rondelle axe chemise | Guide Disc |
| 32 | 652342 | Ensemble selecteur | Clamp Handle |
| 32/1 | 350840 | Joint de selecteur | O-Ring |
| 36 | 652846 | Etrier de maintien | Bearing Holder |
| 41 | 652311 | Couvercle carter | Housing Cover |
| 45 | 652315 | Deflecteur d'air | Air-Deflector Ring |
| 47 | 652847 | Pignon | Control Element |
| 54 | 652362 | Bague caoutchouc | Rubber Bushing |
| 55 | 652848 | Joint | O-Ring |
| 57 | 652805 | Joint torique | O-Ring |
| 76 | 652306 | Vis de carter | Thread-forming tap. Screw |
| 77 | 652372 | Vis de poignée | Torx Oval-Head Screw |
| 80 | 652364 | Vis de stator | Screw |
| 105 | 652851 | Ressort de compression | Compression Spring |
| 109 | 652852 | Vis etrier maintien | Thread-forming tap. Screw |
| 120 | 652375 | Ensemble poignée auxiliaire | Auxiliary Handle |
| 321/2 | 352200 | Goupille cylindrique | Straight Pin |
| 321/4 | 363320 | Joint torique 3,5x18mm | O-Ring |
| 321/8 | 652300 | Anneau d'arret | Retaining ring |
| 322 | 652404 | Circlip entretoise | Retaining ring |
| 340 | 652853 | Ensemble carter | Gear Housing |
| 340/1 | 652854 | Couvercle de carter | Cover |
| 340/2 | 652388 | tole frein | Tab Washer |
| 340/3 | 128440 | Bague limiteur | Needle bearing |
| 340/4 | 652351 | Bague d'etanchéité | Rotary shaft lip seal |
| 340/5 | 652394 | Vis torx | Torx Oval-Head Screw |
| 801 | 652371 | Carter moteur | Motor Housing |
| 805 | 355060 | Cable alimentation | Power supply cord |
| 811 | 652356 | Jeu de balais | Carbon-Brush Set |
| 820 | 652856 | Ensemble carter intermediaire | Intermediate Flange |
| 821 | 652857 | Ensemble cylindre | Tool Holding Fixture |
| 823 | 652858 | Pignon | Gear Sleeve |
| 825 | 652755 | Porte outil | Tool Holding Fixture |
| 825/1 | 652320 | Bague arret manchon | Protective Cap |
| 828 | 652812 | Ensemble perceur | Striker Pin |
| 830 | 652861 | Ensemble excentrique | Drive End Shield |
| 861 | 652343 | Fourchette de commande | Switching Element |
| 890 | 652830 | Ensemble manchon | Guide Sleeve |
| 891 | 652863 | Contre poids | Weight |