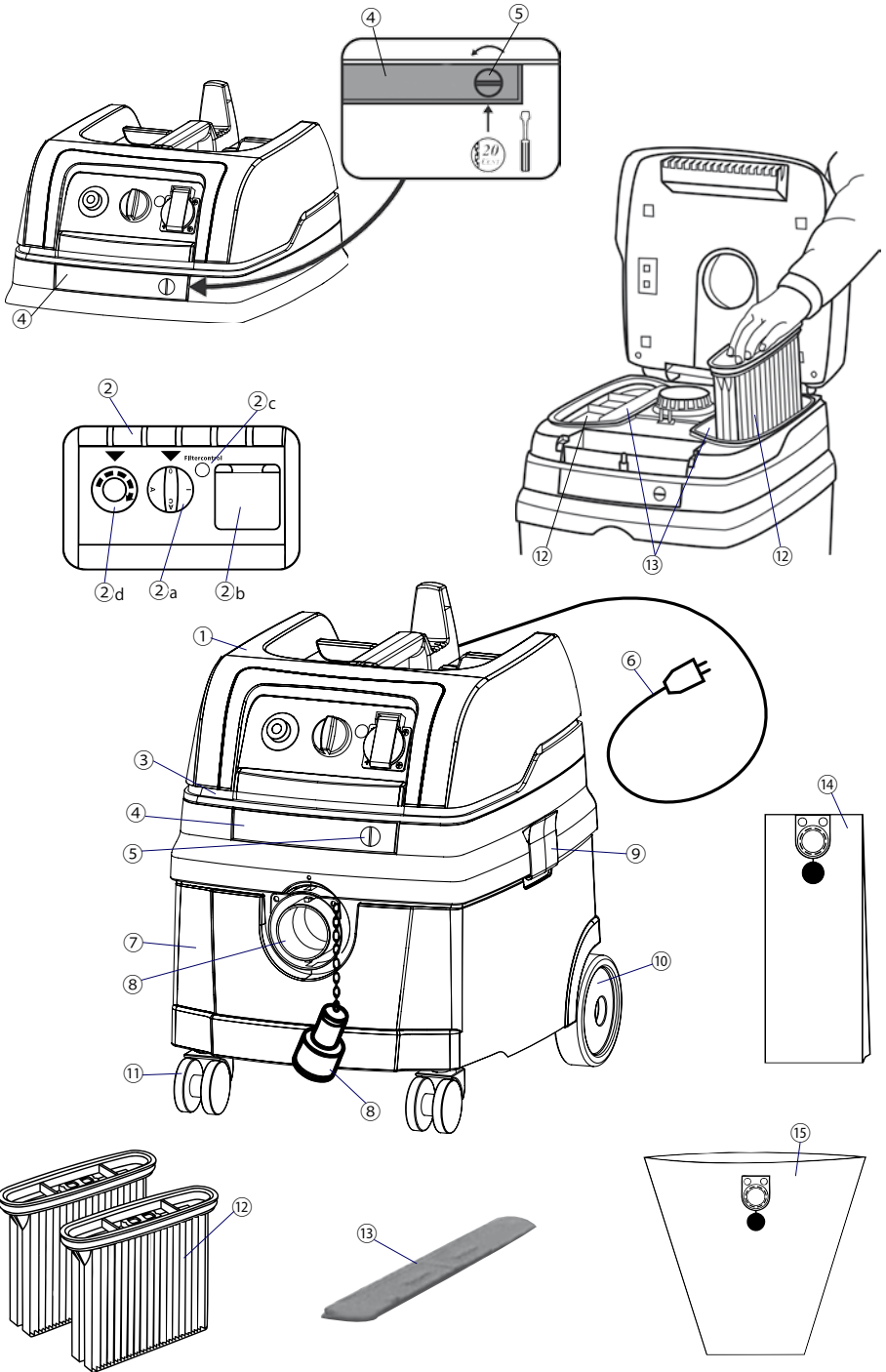


SPIT 1625

AC



GB	Operating Instructions	7	H	KezelésiUtastás	73
F	Notice d'utilisation	13	PL	Instrukcja obsługi	79
D	Bedienungs- und Wartungsanleitungen (Original)	19	CZ	Návod k obsluze	85
I	Istruzioni d'uso	25	SK	Návod na obsluhu	91
NL	Gebruiksaanwijzing	31	MK	Instrucciones para el manejo	97
E	Instrucciones para el manejo	37	SRB	Uputstvo za upotrebu	103
P	Instruções de utilização	43	HR	Uputa za uporabu	109
S	Bruksanvisning	49	SL	Navadila za uporabo	115
DK	Betjeningsveiledning	55	RUS	Руководствопоэксплуатации	121
N	Bruksanvisning	61	EL	Δηγίες Ειρισμού	127
FIN	Käyttöohje	67	AR	تعليمات التشغيل	133



GB

①	Top section
②	Functional plate (depending on appliance configuration)
②a	Rotary switch ON/OFF/Automatic/Vibration
②b	Power socket for electric tools
②c	Volume flow display
②d	Speed setter/pre-selection switch
③	Cold air inlet
④	Locking bar
⑤	Lock
⑥	Connecting line
⑦	Container
⑧	Suction opening
⑧a	Sealing plug with a chain
⑨	Snap-in locks
⑩	Wheels
⑪	Steering castors
⑫	Filter cassettes
⑬	Motor protection filter
⑭	Paper filter bag
⑮	Plastic emptying bag

F

①	Partie supérieure
②	Plaque de fonctionnement (en fonction de l'équipement de l'appareil)
②a	Interrupteur rotatif Marche/Arrêt/automatique/secoueur
②b	Prise de courant pour outil électrique
②c	Affichage du débit volumétrique
②d	Régulateur de vitesse/présélecteur
③	Entrée air de refroidissement
④	Verrou
⑤	Fermeture
⑥	Conduite de raccordement
⑦	Cuve
⑧	Ouverture d'aspiration
⑧a	Bouchons de fermeture à chaîne
⑨	Fermeture à crans
⑩	Roues
⑪	Roues-guides
⑫	Cassettes filtre
⑬	Filtre de protection du moteur
⑭	Sachet filtre papier
⑮	Sac de vidage en plastique

D

①	Oberteil
②	Funktionsplatte (entsprechend Geräteausstattung)
②a	Drehschalter Ein/Aus/Automatik/Rüttler
②b	Steckdose für Elektrowerkzeug
②c	Volumenstromanzeige
②d	Drehzahlsteller/Vorwahlschalter
③	Kühlufteintritt
④	Riegel
⑤	Verschluss
⑥	Anschlussleitung
⑦	Behälter
⑧	Saugöffnung
⑧a	Verschlussstopfen mit Kette
⑨	Rastverschlüsse
⑩	Räder
⑪	Lenkrollen
⑫	Filterkassetten
⑬	Motoschutzfilter
⑭	Papierfilterbeutel
⑮	Kunststoff-Entleerbeutel

I

①	Parte superiore
②	Pannello di funzionamento (a seconda della dotazione dell'apparecchio)
②a	Interruttore rotante Acceso/Spento/Funzionamento automatico/Vibratore
②b	Presca per utensili elettrici
②c	Indicazione del flusso del volume
②d	Manopola di regolazione del numero di giri/selettore
③	Entrata aria di raffreddamento
④	Dispositivo di bloccaggio
⑤	Chiusura
⑥	Linea di collegamento
⑦	Tappo con catena
⑧	Contentore
⑧a	Bocca di aspirazione
⑨	Chiusura ad incastro
⑩	Ruote
⑪	Rulli di guida
⑫	Cartuccia filtro
⑬	Filtro di protezione motore
⑭	Sacchetto filtro di carta
⑮	Sacchetti di scarico in plastica

NL

①	Bovendeel
②	Bedieningspaneel (overeen komende uitvoering van het apparaat)
②a	Draaischakelaar Aan/Uit/Automat/Trilmechanisme
②b	Stopcontact voor elektrisch gereedschap
②c	Volumestroomaanduiding
②d	Zuigkrachtregeling/Keuzeschakelaar
③	Koelluchtinvoeropening
④	Grendel
⑤	Sluiting
⑥	Netsnoer
⑦	Ketel
⑧	Zuigopening
⑧a	Sluידop met ketting
⑨	Ketelklemmen
⑩	Wielen
⑪	Zwenkwielen
⑫	Filtercassetten
⑬	Motorveiligheidsfilter
⑭	Papierfilterzak
⑮	Kunststof opvangzak

E

①	Parte superior
②	Disco de funciones (según el equipamiento del aparato)
②a	Interruptor de giro para Encendido/ Apagado/Automático/Vibrador
②b	Toma de corriente para herramientas eléctricas
②c	Indicador de flujo
②d	Ajuste de revoluciones/Interruptor de selección
③	Entrada de aire frío
④	Tira transversal
⑤	Cierre
⑥	Cable de alimentación
⑦	Depósito
⑧	Abertura de aspiración
⑧a	Tapón de cierre con cadena
⑨	Cierre a presión
⑩	Ruedas
⑪	Redecillas de dirección
⑫	Estuche de filtro
⑬	Filtro de protección del motor
⑭	Bolsa de filtro de papel
⑮	Bolsa desechable de plástico

P

①	Parte superior
②	Placa de funções (em função dos equipamentos opcionais)
②a	Botão ligar/desligar/automático/vibrador
②b	Tomada para as ferramentas eléctricas
②c	Sinalizador da vazão
②d	Fixador de velocidade de rotação/Selector
③	Entrada do ar de arrefecimento
④	Trava
⑤	Fecho
⑥	Condutor de alimentação
⑦	Caixa
⑧	Bocal de aspiração
⑧a	Bujão de fecho com corrente
⑨	Encravamentos
⑩	Rodas
⑪	Rodas dirigíveis
⑫	Cartuchos de filtração
⑬	Filtro de protecção do motor
⑭	Saco de filtro de papel
⑮	Saco de esvaziamento de material plástico

DK

①	Overdel
②	Funktionsplade (svarende til udstyret)
②a	Drejeafbryder ON/OFF/ Automatisk/Vibrator
②b	Stikkontakt til elektroværktøj
②c	Strømvisning (volumen)
②d	Omdrejningstalsregulator/forvalgskontakt
③	Køleluftindgang
④	Slå
⑤	Lukkeanordning
⑥	Tilslutningskabel
⑦	Beholder
⑧	Sugeåbning
⑧a	Tillukningsprop med kæde
⑨	Snaplås
⑩	Hjul
⑪	Styreruller
⑫	Filterkassetter
⑬	Motorværnsfilter
⑭	Papirfilterpose
⑮	Kunststofpose til at tømme

FIN

①	Yläosa
②	Toimintopaneeli (laitteen varustelusta riippuen)
②a	Vääntökytkin päälle/pois Automaattikäyttö / tärytin
②b	Pistorasia sähkötyökäluulle
②c	Tilavuusvirtanäyttö
②d	Kierroslukusäädin/esivaiintäkytkin
③	Jäähdytysilman tuloaukko
④	Salpa
⑤	Suljin
⑥	Verkkojohto
⑦	Säiliö
⑧	Imuaukko
⑧a	ketjulla varustettu sulikutulppa
⑨	Sulkimet
⑩	Pyörät
⑪	Ohjaurullat
⑫	Suodatinkasetit
⑬	Moottorinsuojasuodatin
⑭	Paperisuodatinpussi
⑮	muovinen tyhjennyspussi

S

①	Ovandel
②	Funktionsplatta (motsvarande apparatutrustningen)
②a	Vridströmställare Till/Från/Auto/Skadrift
②b	Uttag för elverktyg
②c	Volymströmindikering
②d	Inställning av varvtal/omkopplare
③	Kylluftsintag
④	Regel
⑤	Lås
⑥	Anslutningskabel
⑦	Behållare
⑧	Sugöppning
⑧a	Förslutningsplugg med kedja
⑨	Ihakningslås
⑩	Hjul
⑪	Svängbarahjul
⑫	Filterpatroner
⑬	Motorskyddsfilter
⑭	Pappersfilterpåse
⑮	Tömningspåse av plast

N

①	overdel
②	funktionsplate (tilsvarende apparatutrustning)
②a	dreiefbryter på/av/automatikk/vibrator
②b	stikkontakt for elektroverktøy
②c	volumstrømgivelse
②d	Turtallstallerk/forhåndsvalgbytter
③	kjøleluftinnang
④	slå
⑤	lås
⑥	forbindelsesledn
⑦	ingbeholder
⑧	sugeåpning
⑧a	lasepropper med kjede
⑨	låslocking
⑩	hjul
⑪	styreruller
⑫	filterkassetter
⑬	motorvernefilter
⑭	papirfilterpose
⑮	tømmepose i kunststoff

H

①	Felsőrés
②	Funkciólemez (a készülék felszereltségének megfelelően)
②a	Forgó kapcsoló BE/KI/ Automatika / rezegtető szerkezet
②b	Dugaszoló aljzat villamos szerszámokhoz
②c	érfogatáram-kijelző
②d	Fordulatszám-beállító/előválasztó-kapcsoló
③	Hűtőlevegő-belépés
④	Retes
⑤	Zárszerkezet
⑥	Csatlakozó vezeték
⑦	Tartály
⑧	Szívónyílás
⑧a	Záró dugó lánccal
⑨	Becsappanó zárszerkezetek
⑩	Kerek
⑪	Kormánygörgők
⑫	Szűrőkazetták
⑬	Motorvédő szűrő
⑭	Papír szűrőtasak
⑮	Műanyag ürítőzsák

PL

①	Część górna
②	Panel sterowania (odpowiednio do wyposażenia urządzenia)
②a	Pokręto ZAL/WYŁ/ automatycznie/ wibrator
②b	Gniazdko wtykowe dla narzędzia elektrycznego.
②c	Wskaźnik strumienia objętości
②d	Regulator prędkości obrotowej/ preselektor
③	Wlot powietrza zimnego
④	Rygiel
⑤	Zamknięcie
⑥	Kabel zasilający
⑦	Pojemnik
⑧	Otwór ssący
⑧a	Korek na łańcuszku
⑨	Zatrzaśki
⑩	Koła
⑪	Rolki kierowane
⑫	Kasetki filtrujące
⑬	Filtr silnika
⑭	Papierowy worek
⑮	Worek do opróżniania ze sztucznego tworzywa

SK

①	Horná časť
②	Funkčná doska (podľa vybavenie prístroja)
②a	Otočný spínač zapnutý/vypnutý/ Automatika/ vibrátor
②b	Zásuvka pre elektrické náradie
②c	Indikátor objemového prúdu
②d	Regulátor otáčok/nastaviteľný spínač
③	Vstup chladiaceho vzduchu
④	Západka
⑤	Uzáver
⑥	Pripojovacie vedenie
⑦	Zásobník
⑧	Sací otvor
⑧a	Zátka s retiazkou
⑨	Západkové uzávery
⑩	Kolieska
⑪	Pojazdná kolieska
⑫	Filtračné kazety
⑬	Ochranný filter motora
⑭	Papierové filtračné vrecko
⑮	Plastové vyprázdňovacie vrecko

SRB

①	Gornji deo
②	Funkcijska ploča (u skladu sa opremom aparata)
②a	Zakretni prekidač uklj/fisklj/ automatika/ vibrator
②b	Utičnica za električni alat
②c	Pokazivač volumnne struje
②d	Postavnik brzine obrtanja/ prekidač za predbiranje
③	Ulaz rashladnog vazduha
④	Zasun
⑤	Zatvarač
⑥	Priključni vod
⑦	Posuda
⑧	Usisni otvor
⑧a	Zatvarač sa lancem
⑨	Sklopni zatvarači
⑩	Točkovi
⑪	Točkici za vođenje
⑫	Filterske kasete
⑬	Filter za zaštitu motora
⑭	Papirnata filterska kesica
⑮	Plastična kesica za pražnjenje

CZ

①	Horní část
②	Funkční deska (podle vybavení přístroje)
②a	Otočný spínač Zap/Vyp/ Automatika/ vibrátor
②b	Zásuvka pro elektrické nářadí
②c	Indikátor objemového proudu
②d	Regulátor otáček/nastavitelný spínač
③	Vstup chladícího vzduchu
④	Západka
⑤	Uzávěr
⑥	Připojovací vedení
⑦	Nádrž
⑧	Sací otvor
⑧a	Zátka s řetízkem
⑨	Západkové uzávěry
⑩	Kolečka
⑪	Pojezdová kolečka
⑫	Filtrační kazety
⑬	Ochranný filtr motoru
⑭	Papírový filtrační sáček
⑮	Plastový vyprázdnovací sáček

MK

①	Горен дел
②	Функциска плочка (согласно опремата на апаратот)
②a	Ротирачки вентил Вкл. Искл., Автоматика тресење
②b	Утичница за електро-алат
②c	Приказ на волумен на струја
②d	Наодувач на бројот на вртежи, прекинувач за предизбор
③	Простор за влез на ладен воздух
④	Блок-елемент
⑤	Затворач
⑥	Приклучен вод
⑦	Сад
⑧	Отвор за смукање
⑧a	Штопна за затворање со ланец
⑨	Затворачи
⑩	Тркала
⑪	Управувачки тркалца
⑫	Филтер-касети
⑬	Филтер за заштита на мотор
⑭	Хартиена филтер кеса
⑮	Пластична кеса за празнење

HR

①	Felsőrész
②	Funkciólemez (a készülék felszereltségének megfelelően)
②a	Forgó kapcsoló BE/KI/ Automatika / rezgetető szerkezet
②b	Dugaszoló aljzat villamos szerszámokhoz
②c	Térfogatáram-kijelző
②d	Fordulatszám-beállító/előválasztó-kapcsoló
③	Hűtőlevegő-belépés
④	Retes
⑤	Zárszerkezet
⑥	Csatlakozó vezeték
⑦	Tartály
⑧	Szívónyílás
⑧a	Záró dugó láncsal
⑨	Becsappanó zárszerkezetek
⑩	Kerekek
⑪	Kormánygörgők
⑫	Szűrőkazetták
⑬	Motorvédő szűrő
⑭	Papír szűrőtásak
⑮	Műanyag ürítőzsák

- GB
- F
- D
- I
- NL
- E
- P
- S
- DK
- N
- FIN
- H
- PL
- CZ
- SK
- MK
- SRB
- HR
- SL
- RUS
- EL
- AR



SL

①	Zgornji del
②	Funkcijska plošča (ustrezno opremi aparata)
②a	Vrtljivo stikalo za vklop / izklop / avtomatiko / vibrator
②b	Vtičnica za električno orodje
②c	Indikator volumnskega toka
②d	Regulator števila vrtljajev/ stikalo za predizbiro dela
③	Vhod hladilnega zraka
④	Zapah
⑤	Zapiralo
⑥	Priključni vod
⑦	Posoda
⑧	Sesalna odprtina
⑧a	Zaporni zatič z verigo
⑨	Zaskočna zapirala
⑩	Kolesa
⑪	Krmlina kolesca
⑫	Filterne kasete
⑬	Filter za zaščito motorja
⑭	Papirnata filterna vrečka
⑮	Plastična vrečka za praznjenje

EL

①	Επάνω τμήμα
②	Λάκ- λειτουργίας (ανάλογα με τον εξοπλισμό της συσκευής)
②a	Στρεπτός διακόπτης ON/OFF/ αυτόματη λειπ./ δονητής
②b	Μπρίζα για ηλεκτρικές συσκευές
②c	Ένδειξη όγκου ρεύματος
②d	Ρυθμιστής στροφών περιστροφής/ Διακόπτης προ-επιλογής
③	Είσοδος αέρα ψύξης
④	Σύρτης
⑤	Σφάλισμα
⑥	Καλώδιο σύνδεσης
⑦	Δοχείο
⑧	Οπή αναρρόφησης
⑧a	Πώμα με αλυσίδα
⑨	Κλείστρα ασφάλισης
⑩	Τροχοί
⑪	Τροχοί κατεύθυνσης
⑫	Κασέτες με φίλτρο
⑬	Προστατευτικό φίλτρο κινητήρα
⑭	Χαρτοσακούλα-φίλτρο
⑮	Πλαστική σακούλα εκκένωσης

RUS

①	Верхняя секция
②	Панель функций (в зависимости от модели)
②a	Включатель/Выключатель Автоматический переключатель/ Очистка фильтра
②b	Розетка для электроинструментов
②c	Индикатор объема потока воздуха
②d	Переключатель мощности/ Переключатель настройки
③	Пуск охлаждающего воздуха
④	Ригель
⑤	Замок
⑥	Кабель
⑦	Контейнер
⑧	Отверстие для шланга
⑧a	Пробка с цепочкой
⑨	Защелки
⑩	Колеса
⑪	Вращающиеся ролики
⑫	Кассетный фильтр
⑬	Защитный фильтр мотора
⑭	Бумажный фильтр
⑮	Пластиковый пакет

AR

①	الجزء العلوي
②	لوحة الوظائف (حسب تكوين الجهاز)
②a	المفتاح الدوار تشغيل/إيقاف تشغيل/تلقائي/اهتزاز
②b	مقبس طاقة للأدوات الكهربائية
②c	مؤشر بيان التدفق الحجمي
②d	مفتاح ضبط السرعة/التحديد المسبق
③	مدخل هواء بارد
④	تثبيت أقفال
⑤	قفل
⑥	سلك توصيل
⑦	حاوية
⑧	فتحة الشفط
⑧a	سدادة متصلة بسلسلة
⑨	أقفال إطباق
⑩	عجلات
⑪	عجلات توجيه
⑫	أشرطة المرشحة
⑬	مرشحة حماية المحرك
⑭	كيس ترشيح ورقي
⑮	كيس تفرغ بلاستيكي

TECHNICAL DATA

nominal output	1400	W
mx output	1600	W
voltage	110 / 220	V~
current	6,5	A
frequency	50 / 60	Hz
air flow on the blower	64	l / s
low pressure on the blower	259	hPa
dimensions (L x H x B)	400 x 540 x 400	mm
cable	8	m
Connecting cable for appliances with socket	H07RN-F 3G1,5	
Pression acoustique	70,0	dB(A)

Protection of the ears carry!

Tests and approvals for M and H suction units

Electro-technical tests need to be performed in accordance with the accident prevention guidelines (BGV A3) and in accordance with DIN VDE 0701 Part 1 and Part 3. These tests need to be performed in regular intervals in accordance with DIN VDE 0702 and after maintenance work or modifications.

At least once a year, a technical dust inspection needs to be performed by the manufacturer or a qualified person, e.g. to check for damage to the filter, leaks, function of the control equipment.

CE-Registration statement

We declare in our own sole responsibility that this product Typ Spit AC 1625 and AC 1630P complies with the EU directives and definitive standards: Low voltage directive 73/23/EEC with amendments, electromagnetic compatibility directive EN 60335-2-69 with amendments.

Paul van Beek
Business Manager

Ruben Bernaert
Product Manager

ITW Heger
Industriepark
Cardijnlaan 3
B-8600 Diksmuide
Belgien

BEFORE USE

When unpacking, check that the unit is complete and shows no signs of transport damage.

Read all the information carefully. They contain important advice about how to use the unit, safety, maintenance and care. Please keep these operating instructions somewhere safe and pass on to any subsequent owners. We reserve the right to make design and equipment changes.

FIELDS OF APPLICATION

For wet and drying suctioning.

Dust class M vacuum cleaners are suited to suctioning up/off dry non-flammable dust non-flammable liquids, wood dust and hazardous dust with AGW's $\geq 0.1 \text{ mg/m}^3$.

Dust class H vacuum cleaner are suited to suctioning up/off dry non-flammable dust, carcinogenic and pathogenic particles, non-flammable liquids, wood dust and dusts hazardous to health with AGW's $< 0.1 \text{ mg/m}^3$.

COMMISSIONING

Switch the unit ON/OFF with the switch ②a in the top section ① (or switch to automatic mode).

Operating field

Depending on the unit configuration, the following functions and settings are available:

0 = Suction unit >off<

I = Suction unit >on<

A = Ready mode for ON/OFF automatic mode.

(Suction unit is switched ON/OFF by the electrical tool)

AC = Ready mode like "A" plus automatic filter cleaning.

Filter cleaning function; in this switch setting the vibrator is activated for approx. 10 sec. and then switches off again automatically.

The power socket ②b is available for connecting an electrical tool.

Caution! The electrical tool must be switched off during connection. The power socket is permanently supplied with voltage when the plug is in the mains socket regardless of the switch setting. In switch setting "0" the power socket could still be used as an extension cable (e. g. for lights).

Connected load: Suction unit and connected unit max. 16 A.

The suction output can be adjusted steplessly using the rotating speed setter ②d.

Pre-selection switch ②d for minimum volume signal (horn and light) for suction units of the class "M" and "H". In mode "A" or "RA", the following settings should be made depending on the diameter of the hose:

Hose diameter	Switch setting
Ø 35 mm	70 m³/h
Ø 27 mm	40 m³/h
Ø 21 mm	20 m³/h

The speed is not regulated. The suction unit always runs at max. speed

The suction openings of the electrical tools are not standard-ised. There is an adapter available (rubber nozzle or rubber muff) which can be shortened and adjusted to the respective electrical tool.

OPERATION

When the handle pipe is used, the secondary air valve can be used to adjust the suction output.

Dry suctioning

Only suction with a dry filter, unit and accessories so that the dust does not adhere and harden. We recommend using a paper filter bag if soot, cement, plaster, flour or similar substances are suctioned.

Always use the paper filter bag in combination with the filter cartridges.

Wet suctioning

Suction without a paper filter bag. The filter cassettes are suitable for wet suctioning. The installed sensor switches the motor off when the tank is full. Empty the unit as outlined. If the unit is not switched off, the restarting safeguard remains effective. The unit will only be ready for operation again after it has been switched off and switched on again.

- Before emptying, first remove the suction hose from the liquid.
- Due to the high suction output and the streamlined shape of the tank, a little water may escape from the hose after the unit has been switched off.
- For the subsequent dry suction phase, use a dry filter. In case of frequent changes between dry and wet suctioning, we recommend using a second filter set, preferably polyester filter cassettes.

Cleaning the filter

The suction unit is fitted with an electro-magnetic filter cleaning device which can shake off any dust adhered to the folded filter cassettes.

Manual cleaning

The vibration function (switch setting C or AC /switch ②a) should be activated at the latest when the volume flow display ②c (warning lamp) lights up or when the warning signal sounds or when the suction output sinks.

Automatic cleaning (automatic vibration)

Filter cleaning is performed (switch setting AC/switch ②a) automatically during the next working break when the minimum volume flow level is reached.

Emptying the tank

Only permitted with dusts with AGW's > 1 mg/m³.

Switch off ②a, disconnect plug ⑥, open snap locks ⑨. Take top section ① and suction hose from the tank ⑦. Empty the tank.

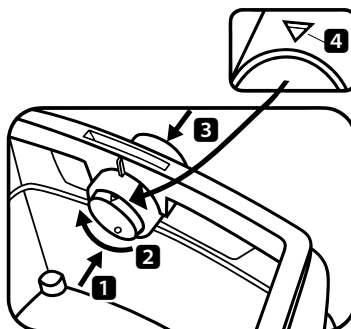
Paper filter bag

To insert or remove the filter bag/emptying bag, remove the top section ①). To do this, open the side locks ⑨. Only use the paper filter bag for dry suctioning.

Inserting the paper filter bag

- 25 litre tank
Push the flange over the suction opening
- 25 l-special tank on AC 1625 M may only be operated with paper filter bags if dust is suctioned up with exposure limits (AGW's) > 0.1 mg/m³.

Turn the knob in the suction opening with the marking ▲ ④ to the top.
Push the flange over the suction opening.



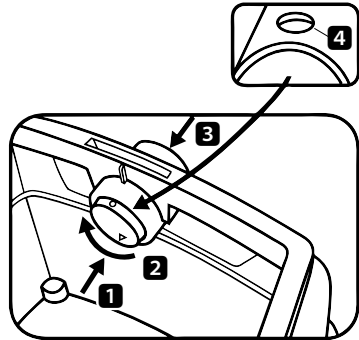
Exchanging the paper filter bag

Carefully pull the flange from the suction connections and close the flange.
Turn on the motor before putting down to ensure that any falling suspended dust can be suctioned.
Dispose of the vacuumed material as per the statutory regulations.

Plastic emptying bag

Only the M and H vacuum cleaners with the special tanks and rotary valve in the suction opening AC 1625 M is suited for using plastic emptying bags.

Turn the rotary valve with the round label upwards in the suction opening ● 4.



Operating the slide valve:

Push the slide valve from inside to the outside 1, turn by 180° 2 (see marking 4) and press from outside through the suction pipes to the inside again 3.

Push the flange over the suction pipes, place the opening of the bag over the edge of the tank.

Exchanging the plastic emptying bag

Detach the suction hose, close the suction opening ⑧ with a plug (Pos. ⑧a).
Remove the top section ①. Switch on the motor before placing on the ground so that any falling dust can also be suctioned. Close the emptying bag with a closing band.

Pull the flange carefully in front of the suction opening and close tight. Dispose of the contents in accordance with the statutory provisions.

CLEANING

Clean the tank and accessories with water.
Wipe the top section ① with a damp cloth.
Allow the tank and the accessories to dry.
Filter cassettes with air pressure do not clean

WARTUNG

If the suction output of the unit decreases and is not improved after the filter cassettes ⑫ are cleaned, (assuming the tank ⑦ is empty and the paper filter bag ⑭ has been exchanged), then it is time to exchange the filter cassettes ⑫.

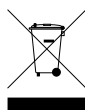
Apply the vibration function to the filter cassettes w again before exchanging them. Use a coin or another similar object to turn the catch ⑤ on the locking bar ④ 90° in an anti-clockwise direction and then press the locking bar ④ backwards. Fold up the hood and lift out the filter cassettes ⑫. Immediately seal the removed filter cassettes in a dust-proof plastic bag and dispose of as per the statutory regulations. Insert new filter cassettes. Fold down the hood again and exert a little pressure to click it back into position.

If the motor protection filter ⑬ is soiled, this is an indication that the filter cassettes are defective. Please exchange both filter cassettes ⑫. Wash out the motor protection filter ⑬ under running water, dry and re-insert.

TROUBLESHOOTING

Malfunction	Possible cause	remedy
Suction output impaired	Soiled filter Paper filter full Tank is full Nozzle, pipe or hose is blocked	clean exchange empty clean
Unit will not start	Plug in the power socket? No mains power? Power cable OK? Unit hood closed properly? Has the water sensor switched off?	
Plastic emptying bag is sucked onto the filter		Set the knob to pos. ●
If the paper filter bag is inserted dust in the tank with M or H vacuum cleaners		Set the knob to pos. ▲

Do not intervene further, contact a SPIT customer service work-shop.



Old appliances contain valuable materials that can be recycled. Do not dispose of such appliances with the normal domestic waste but rather by way of appropriate collecting points.

Puissance nominale	1400	W
Puissance maxi	1600	W
Tension	110 / 220	V~
Courant	6,5	A
Fréquence	50 / 60	Hz
Courant d'air sur la soufflante	64	l / s
Dépression sur la soufflante	259	hPa
Mesure (L x H x B)	400 x 540 x 400	mm
Câble	8	m
Câble de raccordement pour les appareils	H07RN-F 3G1,5	
Pression acoustique	70,0	dB(A)

Porter une protection acoustique!

Contrôles et homologations pour aspirateurs M et H

Les contrôles électrotechniques doivent être effectués selon les prescriptions allemandes de prévention des accidents (BGV A3) et conformément à DIN VDE 0701, partie 1 et partie 3. Ces contrôles sont obligatoires conformément à DIN VDE 0702 et doivent être effectués à des intervalles réguliers et après une réparation ou une modification.

Un contrôle technique de poussières portant p. ex. sur un endommagement du filtre, sur l'étanchéité de l'appareil, sur le fonctionnement des dispositifs de contrôle doit au moins être effectué une fois par an par le fabricant ou par du personnel formé à cette fin.

CE -Déclaration d'enregistrement

Typ Spit AC 1625 et AC 1630P

Nous déclarons sous notre seule responsabilité que ce produit correspond aux directives de la C.E. et aux normes pertinentes: Directive relative à la basse tension 73/23/C.E.E. et modifications, directive EMV 89/336/C.E.E. et modifications.

Les aspirateurs sont contrôlés avec succès conformément à IEC/EN 60335-2-69.

Paul van Beek
Gérant

Ruben Bernaert
Manager de produit

ITW Heger
Industriepark
Cardijnlaan 3
B-8600 Diksmuide
Belgien

AVANT L'UTILISATION

Au moment du déballage, veuillez contrôler l'intégralité de la livraison et si elle présente des dommages dus au transport.

Lisez toutes les informations attentivement. Elles vous fournissent des consignes importantes pour l'utilisation, la sécurité mais aussi l'entretien et la maintenance.

Veuillez conserver soigneusement ce mode d'emploi et le remettre éventuellement à un éventuel nouveau propriétaire de l'appareil. Nous nous réservons le droit d'apporter des modifications à la construction et à l'équipement.

DOMAINES D'UTILISATION

Pour aspirer mouillé et à sec.

Les aspirateurs de la classe de poussière M sont bien appropriés à l'aspiration vers le haut/vers le bas de poussières sèches ininflammables, de liquides in-inflammables, poussières de bois et dangereuses avec $AGW \geq 0,1 \text{ mg/m}^3$.

Les aspirateurs de la classe de poussière H sont bien appropriés à l'aspiration vers le haut/vers le bas de poussières sèches ininflammables, de particules cancérigènes et pathogènes, ainsi que de liquides ininflammables, poussières de bois et nocives avec $AGW < 0,1 \text{ mg/m}^3$.

MISE EN SERVICE

Mettre l'appareil en/hors marche avec l'interrupteur ②a se trouvant sur la partie supérieure ① (ou le commuter en mode automatique).

Panneau de commande

Les fonctions et réglages suivants peuvent être sélectionnés selon l'équipement:

- 0 = aspirateur >Arrêt<
- I = aspirateur >Marche<
- A = Disponibilité pour l'automatisme de mise en/hors marche.
(L'aspirateur est mis en et hors marche par l'outil électrique)
- AC = Mode de disponibilité comme „A“ plus nettoyage automatique du filtre.
Fonction de nettoyage du filtre; dans cette position, le secoueur est mis en marche pendant env. 10 s et se met ensuite automatiquement hors service.

La prise ②b est prévue pour le branchement d'un outil électrique.

Attention! L'outil électrique doit se trouver hors service au moment du branchement. Lorsque la fiche secteur est branchée, la prise est toujours sous tension, quelle que soit la position de l'interrupteur. Lorsque l'interrupteur se trouve sur la position »0«, la prise de courant pourrait être ainsi utilisée comme rallonge (pour une lampe p. ex.).

Puissance: aspirateur et appareil raccordé max. 16 A.
La puissance d'aspiration peut être adaptée en continu avec le régulateur de vitesse ②d.

Présélecteur ②d pour signal de volume minimal (klaxon et lampe) sur les aspirateurs de la classe „M“ et „H“. En mode »A« ou »AC«, le réglage suivant est effectué en fonction du diamètre du flexible: Il n'y a pas de régulation de régime. L'aspirateur aspire toujours à la vitesse max.

Diamètre intérieur du flexible	Position de l'interrupteur
Ø 35 mm	70 m³/h
Ø 27 mm	40 m³/h
Ø 21 mm	20 m³/h

Les ouvertures d'aspiration des outils électriques ne sont pas encore normées.

C'est pourquoi il existe un adaptateur (buse caoutchoutée ou manchon caoutchouté) qui peut être adapté à l'outil électrique respectif en le raccourcissant.

Fonctionnement

La puissance d'aspiration peut être adaptée avec le coulisseau à air additionnel.

Aspiration à l'état sec

L'aspiration doit uniquement être effectuée avec un filtre, un appareil et un accessoire sec afin que la poussière n'y adhère pas et ne forme pas de croûtes. Si de la suie, du ciment, du plâtre, de la farine ou d'autres poussières similaires sont aspirées, nous recommandons d'utiliser un filtre en papier.

Le filtre en papier doit toujours être utilisé en combinaison avec des cartouches filtrantes.

Aspiration à l'état mouillé

L'aspiration s'effectue sans filtre en papier. Les cartouches filtrantes conviennent à une aspiration à l'état mouillé.

Le capteur intégré met le moteur hors service lorsque le contenant est plein. L'appareil doit être vidé comme décrit. Si l'appareil n'est pas mis hors service, la protection au redémarrage reste efficace. C'est uniquement après la mise hors service et la remise en service que l'appareil est à nouveau prêt à fonctionner.

- Avant le vidage, retirer tout d'abord le flexible d'aspiration du liquide.
- En raison de la puissance d'aspiration élevée et de la forme du contenant favorable à l'écoulement, de l'eau peut réaffluer dans le flexible après la mise hors service.
- Utiliser un filtre sec lors de l'aspiration à sec suivante. Lors d'une alternance fréquente entre l'aspiration à sec et l'aspiration mouillée, nous recommandons d'utiliser un deuxième jeu de filtres, de préférence des cartouches filtrantes polyester.

Nettoyage du filtre

Les aspirateurs sont équipés d'un dispositif de nettoyage de filtre électromagnétique permettant d'évacuer la poussière qui adhère aux cassettes filtrantes à plis par secouage.

Nettoyage manuel

Le secouage (position de l'interrupteur A ou AC/commutateur ②a devrait être au plus tard actionné lorsque l'affichage du flux volumique ②c (lampe témoin) s'allume ou lorsque la tonalité d'avertissement se fait entendre ou lorsque la puissance d'aspiration baisse.

Nettoyage automatique (secouage automatique)

Ce nettoyage de filtre s'effectue automatiquement lorsque le flux volumique minimal réglé est atteint au cours de la prochaine pause de travail (position de l'interrupteur AC/ interrupteur ②a).

Vidage du contenant

Permis seulement en relation avec des poussières contenant des AGW > 1 mg/m³

Mettre l'interrupteur ②a hors service, débrancher la conduite de branchement ⑥, ouvrir les fermetures à crans ⑨, retirer la partie supérieure ① et le flexible d'aspiration du contenant ⑦. Vider le contenant.

Filtre en papier

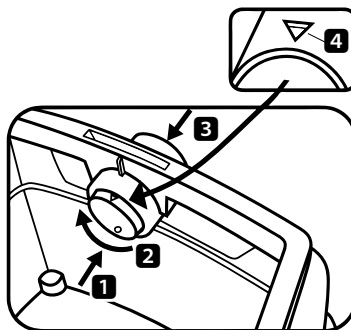
Pour mettre en place ou retirer le filtre/le filtre à vider, retirer la partie supérieure ①. A cette fin, ouvrir les fermetures latérales ⑨.

N'utiliser les filtres en papier que pour l'aspiration à l'état sec.

Utilisation des filtres en papier

- Cuve de 25 litres:
Pousser la bride sur l'ouverture d'aspiration.
- Le AC 1625 M ne seront utilisés qu'avec des sacs filtres en papier si on aspire des poussières aux valeurs limites d'exposition (AGW) >1 mg/m³.

Régler le coulisseau rotatif dans l'ouverture d'aspiration avec le repère ▲ 4 vers le haut, pousser la bride sur l'ouverture d'aspiration.



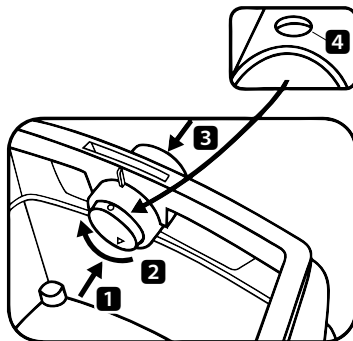
Remplacement des filtres en papier

Tirer la bride avec précaution de la tubulure d'aspiration et la fermer.
Allumer le moteur avant de ranger afin que des poussières lourdes éventuelles puissent être aspirée
Éliminer le produit aspiré conformément aux prescriptions légales.

Sachet de vidage en plastique

Seuls les aspirateurs M à cuve spéciale et coulisseau rotatif dans l'ouverture d'aspiration, des type AC 1625 M sont appropriés à l'utilisation de sachets de vidage en plastique.

Positionner le coulisseau rotatif dans l'ouverture d'aspiration avec le repère rond ● 4 vers le haut.



Commande du coulisseau rotatif

Pousser le coulisseau rotatif de l'intérieur vers l'extérieur 1, le tourner sur 180° 2 (voir repère 4) et le repousser à nouveau de l'extérieur par la tubulure d'aspiration vers l'intérieur 3.

Pousser la bride sur la tubulure d'aspiration, rabattre l'ouverture supérieure du sachet sur le bord du contenant.

Remplacement du sachet de vidage en plastique

Retirer le flexible d'aspiration, fermer l'ouverture d'aspiration 8 avec le bouchon 8a.

Retirer la partie supérieure. Mettre le moteur en marche avant de poser l'aspirateur au sol, afin de pouvoir aspirer la poussière éventuellement en suspension.

Fermer le sachet de vidage avec la bande de fermeture.

Dégager la bride de l'ouverture d'aspiration avec précaution et la fermer hermétiquement.

Éliminer le produit aspiré conformément aux dispositions légales.

NETTOYAGE

Nettoyer le contenant et l'accessoire avec de l'eau.

Essuyer la partie supérieure 1 avec un chiffon humide.

Laisser sécher le contenant et l'accessoire.

Des cassettes de filtre avec l'air de pression ne nettoient pas!

ENTRETIEN

Si la puissance d'aspiration de l'aspirateur baisse et si le nettoyage des cartouches filtrantes ⑫ ne permet également pas d'augmenter la puissance d'aspiration (à condition que le contenant ⑦ ait été vidé et que le filtre en papier ⑭ ait été remplacé), il est alors nécessaire de remplacer les cartouches filtrantes ⑫.

Secouer encore une fois les cassettes filtrantes ⑫ avant de remplacer le filtre. Avec une pièce de monnaie ou un objet similaire, tourner la fermeture ⑤ sur le verrou ④ de 90° dans le sens contraire aux aiguilles d'une montre et appuyer sur le verrou ④ vers l'arrière.

Ouvrir le clapet et dégager les cartouches filtrantes ⑫ par le haut. Mettre immédiatement les cassettes de filtre enlevées dans un sac en plastique, le fermer et les éliminer conformément. Mettre les nouvelles cartouches filtrantes en place. Rabattre le clapet et le bloquer en appuyant légèrement dessus. Si le filtre de protection moteur ⑬ devait être encrassé, ceci signifie que les cassettes filtrantes sont défectueuses. Veuillez remplacer les cassettes filtrantes. Laver le filtre de protection moteur à l'eau courante, le sécher et le remettre en place.

DÉRANGEMENTS

Dérangement	Cause possible	Cause remède
Baisse de la puissance d'aspiration	Filtre encrassé Filtre en papier plein Contenant plein Buse, tube ou flexible bouché	Le nettoyer. Le remplacer Le vider Les nettoyer
L'appareil ne démarre pas	Fiche branchée? Secteur sans tension? Câble secteur correct? Clapet de l'appareil correctement fermé? Mise hors service du capteur d'eau?	
Sachet de vidage en plastique est aspiré sur le filtre		Positionner le coulisseau rotatif sur Pos. ●
En cas d'utilisation de sac filtrant en papier. Poussières Voir point 6.5.1 dans la cuve sur les aspirateurs M ou H		Régler le coulisseau rotatif sur Pos. ▲

Ne pas effectuer d'autres >interventions< mais faire appel au SPIT service après-vente.



Les anciens appareils contiennent des matériaux de valeur, qui sont bien appropriés au recyclage. Ne pas jeter l'appareil avec les ordures ménagères, mais au contraire les éliminer comme il se doit par des systèmes de collecte bien appropriés.

TECHNISCHE DATEN



Nennleistung	1400	W
Max. Leistung	1600	W
Spannung	110 / 220	V~
Strom	6,5	A
Frequenz	50 / 60	Hz
Luftstrom am Gebläse	64	l / s
Unterdruck am Gebläse	259	hPa
Maße (L x H x B)	400 x 540 x 400	mm
Kabel	8	m
Anschlussleitung bei Saugern mit Steckdose	H07RN-F 3G1,5	
Schalldruck	70,0	dB(A)

Gehörschutz tragen!

Prüfungen

Elektrotechnische Prüfungen sind nach den Vorschriften der Unfallverhütungsvorschrift (BGV A3) und nach DIN VDE0701 Teil 1 und Teil 3 durchzuführen. Diese Prüfungen sind gemäß DIN VDE 0702 in regelmäßigen Abständen und nach Instandsetzung oder Änderung erforderlich.

Es ist mindestens jährlich vom Hersteller oder einer unterwiesenen Person eine staubtechnische Überprüfung durchzuführen, z. B. auf Beschädigung des Filters, Dichtigkeit des Gerätes, Funktion der Kontrolleinrichtungen.

CE-Zulassungserklärung

Wir erklären hiermit eigenverantwortlich, dass die in dieser Erklärung genannten Geräte vom Typ Spit AC 1625 und AC 1630P den folgenden Normen sowie den Auflagen in weiteren Schriftstücken mit normativem Charakter entsprechen.

Wir erklären eigenverantwortlich, dass dieses Produkt folgenden Normen bzw. Normierungsschriften entspricht: EN 60335-2-69.

Paul van Beek
Geschäftsführer

Ruben Bernaert
Produktmanager

ITW Heger
Industriepark
Cardijnlaan 3
B-8600 Diksmuide
Belgien

VOR DEM GEBRAUCH

Achten Sie beim Auspacken auf Vollständigkeit und Transportschäden. Lesen Sie alle Informationen aufmerksam durch. Sie geben wichtige Hinweise für Gebrauch, Sicherheit sowie Wartung und Pflege. Bewahren Sie die Gebrauchsanleitung sorgfältig auf und geben Sie diese ggf. an die Nachbesitzer weiter. Wir behalten uns Konstruktions- und Ausstattungsänderungen vor.

EINSATZBEREICHE

Zum Nass- und Trockensaugen.

Sauger der Staubklasse M sind geeignet für das Auf-/Absaugen von trockenen, nicht brennbaren Stäuben, nicht brennbaren Flüssigkeiten, Holzstäuben und gefährlichen Stäuben mit AGW's $\geq 0,1 \text{ mg/m}^3$.

Sauger der Staubklasse H sind geeignet für das Auf-/Absaugen von trockenen, nicht brennbaren Stäuben, krebserzeugenden und krankheitserregenden Partikeln sowie nicht brennbaren Flüssigkeiten, Holzstäuben und gesundheitsgefährlichen Stäuben mit AGW's $< 0,1 \text{ mg/m}^3$.

INBETRIEBNAHME

Mit Schalter ②a im Oberteil ① Gerät ein-/ausschalten (bzw. in Automatikbetrieb schalten).

Bedienfeld

Je nach Ausstattung sind folgende Funktionen und Einstellungen wählbar.

0 = Sauger >aus<

I = Sauger >ein<

A = Bereitschaftsbetrieb für Ein-/Ausschaltautomatik.
(Sauger wird vom Elektrowerkzeug ein- und ausgeschaltet)

AC = Bereitschaftsbetrieb wie "A" plus automatische Filterabreinigung alle 2 min.
Die Steckdose ②b ist für den Anschluss eines Elektrowerkzeugs vorgesehen.

Achtung! Elektrowerkzeug muss beim Anschluss abgeschaltet sein.

Die Steckdose steht bei eingestecktem Netzstecker unabhängig von der Schalterstellung immer unter Spannung. In Schalterstellung „0“, könnte so die Steckdose als Verlängerungsleitung (für z. B. Leuchte) genutzt werden.



Anschlusswert: Sauger und angeschlossenes Gerät max. 16 A.
Mit dem Drehzahlsteller ②d kann die Saugleistung stufenlos angepasst werden.
Vorwahlschalter ②d für Mindestvolumenstromsignal (Hupe und Leuchte) bei Saugern der Klasse „M“ und „H“. Im Modus „A“ oder „AC“ wird in Abhängigkeit vom Schlauchdurchmesser folgende Einstellung vorgenommen:

Schlauchinnendurchmesser	Schalterstellung
Ø 35 mm	70 m³/h
Ø 27 mm	40 m³/h
Ø 21 mm	20 m³/h

Es erfolgt kleine Drehzahlregulierung. Der Sauger läuft immer mit max. Drehzahl. Die Absaugöffnungen der Elektrowerkzeuge sind noch nicht genormt. Daher steht der Adapter (Gummimuffe) zur Verfügung, der durch Kürzen an das jeweilige Elektrowerkzeug angepasst werden kann.

ARBEITEN

Bei Verwendung des Griffrohres kann mit dem Nebenluftschieber die Saugleistung angepasst werden.

Trockensaugen

Nur mit trockenem Filter, Gerät und Zubehör saugen, damit Staub nicht haften bleibt und verkrustet. Wenn Ruß, Zement, Gips, Mehl oder ähnliche Stäube gesaugt werden, empfehlen wir einen Papierfilterbeutel einzusetzen. Papierfilterbeutel immer in Verbindung mit Filterkassetten einsetzen.

Nasssaugen

Ohne Papierfilterbeutel saugen. Die Filterkassetten sind zum Nasssaugen geeignet. Der eingebaute Sensor schaltet den Motor bei vollem Behälter ab. Gerät wie unter >Behälterentleerung< beschrieben entleeren.

Wird das Gerät nicht ausgeschaltet, bleibt weiterhin der Wiederanlaufschutz wirksam.

Erst nach dem Abschalten und dem erneuten Einschalten ist das Gerät wieder betriebsbereit.

- Vor dem Entleeren zuerst den Saugschlauch aus der Flüssigkeit nehmen.
- Durch hohe Saugleistung und strömungsgünstige Behälterform, kann nach dem Abschalten etwas Wasser aus dem Schlauch zurücklaufen.
- Bei anschließendem Trockensaugen trockene Filter einsetzen.
Bei häufigem Wechsel zwischen Trocken- und Nasssaugen empfehlen wir den Einsatz eines zweiten Filtersatzes, vorzugsweise Polyester-Filterkassetten. Vor dem Entleeren zuerst den Saugschlauch aus der Flüssigkeit nehmen.

Filterabreinigung

Die Sauger sind mit einer elektromagnetischen Filterabreinigung ausgestattet, mit der anhaftender Staub von den Filterkassetten abgerüttelt werden kann.

Manuelle Abreinigung

Spätestens bei Aufleuchten der Volumenstromanzeige ②c (Warnlampe) oder Ertönen des Warntons bzw. bei nachlassender Saugleistung sollte die Abrüttelung (Schalterstellung AC/Schalter ②a betätigt werden.)

Automatische Abreinigung (Rüttel-Automatik)

Diese Filterabreinigung erfolgt automatisch.
(Schalterstellung AC/Schalter ②a.)

Behälterentleerung

Nur zulässig bei Stäuben mit AGW's > 1mg/m³.

Ausschalten ②a, Stecker ⑥ ziehen, Rastverschlüsse ⑨ öffnen. Oberteil ① und Saugschlauch vom Behälter ⑦ nehmen. Behälter auskippen.

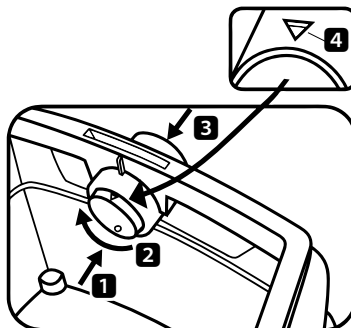
Papierfilterbeutel

Zum Einsetzen bzw. Entnehmen der Filterbeutel/Entleerbeutel, Oberteil (Pos. ①) abnehmen. Dafür die seitlichen Verschlüsse (Pos. ⑨) öffnen. Papierfilterbeutel nur zum Trockensaugen verwenden.

Einsetzen der Papierfilterbeutel

- 25 Liter Behälter:
Flansch über die Ansaugöffnung schieben
- 25 l Spezialbehälter bei AC 1625 M dürfen nur mit Papierfiltertüten betrieben werden, wenn Stäube mit Expositionsgrenzwerten (AGW's) > 0,1mg/m³ aufgesaugt werden.

Drehschieber in der Ansaugöffnung mit der Markierung ▲ ④ nach oben stellen, Flansch über die Ansaugöffnung schieben.

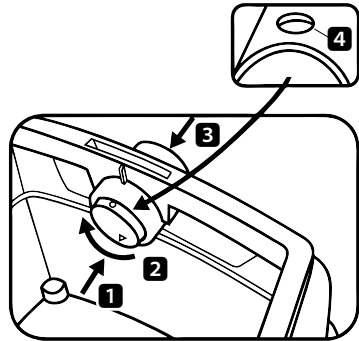


Wechsel der Papierfilterbeutel

Flansch vorsichtig von dem Ansaugstutzen ziehen und Flansch verschließen.
 Motor vor dem Abstellen einschalten, damit eventuell abfallender Schwebstaub angesaugt werden kann.
 Sauggut gemäß den gesetzlichen Bestimmungen entsorgen.

Plastik-Entleerbeutel

Nur die M-Sauger mit Spezialbehälter und Drehschieber in der Ansaugöffnung der Typen AC 1625 M sind für die Verwendung von Plastik-Entleerbeuteln geeignet.
 Drehschieber in der Ansaugöffnung mit der runden Markierung ④ nach oben stellen.



Bedienung des Drehschiebers:

Drehschieber von innen nach außen drücken ① 180° verdrehen ② (siehe Markierung ④) und von außen durch den Ansaugstutzen wieder nach innen drücken ③.

Flansch über Ansaugstutzen schieben, obere Beutelöffnung über Behälterrand legen.

Wechsel des Plastik-Entleerbeutels

Saugschlauch entfernen, Ansaugöffnung ⑧ mit Stopfen ⑧a verschließen.
 Oberteil ① abnehmen. Motor vor dem Abstellen einschalten, damit eventuell abfallender Schwebstaub angesaugt werden kann. Entleerbeutel mit Verschlussband verschließen.

Flansch vorsichtig von der Ansaugöffnung ziehen und dichtverschließen.
 Sauggut gemäß den gesetzlichen Bestimmungen entsorgen.

REINIGUNG

Behälter und Zubehör mit Wasser reinigen.
 Oberteil ① mit feuchtem Tuch abwischen.
 Behälter und Zubehör trocknenlassen.
 Filterkassetten nicht mit Druckluft reinigen!

WARTUNG

Lässt die Saugleistung des Saugers nach und erhöht auch das Abreinigen der Filterkassetten ⑫, die Saugleistung nicht mehr (vorausgesetzt, Behälter ⑦ ist geleert und Papierfilterbeutel ⑭ ist ausgetauscht), dann ist es notwendig, die Filterkassetten ⑫ auszutauschen.

Filterkassetten ⑭ vor dem Filterwechsel noch mal abrütteln. Mit Münze oder ähnlichem Gegenstand den Verschluss ⑤ am Riegel ④ um 90° gegen den Uhrzeigersinn drehen und Riegel ④ nach hinten drücken. Haube aufklappen und die Filterkassetten ⑫ nach oben herausnehmen. Die entnommenen Filterkassetten sofort in einen staubdichten Kunststoffbeutel verschließen und bestimmungsgemäß entsorgen.

Neue Filterkassetten einsetzen. Haube herunterklappen und durch leichtes Drücken arretieren.

Sollte der Motorschutzfilter ⑬ verschmutzt sein, weist dies auf defekte Filterkassetten hin. Bitte Filterkassetten ⑫ austauschen. Motorschutzfilter ⑬ unter fließendem Wasser auswaschen, trocknen und wieder einsetzen.

SELBSTHILFE BEI STÖRUNGEN

Störung	Mögliche Ursache	Behebung
Nachlassen der Saugleistung	Filter verschmutzt Papierfilter voll Behälter voll Düse, Rohre oder Schlauch verstopft	Reinigen Wechseln Entleeren Reinigen
Gerät läuft nicht an	Stecker in Steckdose? Netz spannungslos? Netzleitung in Ordnung? Gerätehaube richtig geschlossen? Wassersensor hat abgeschaltet?	
Plastik-Entleerbeutel wird an die Filter angesaugt		Drehschieber auf Position ● stellen
M- oder H-Sauger: bei eingesetztem Papierfilter Staub im Behälter		Drehschieber auf Position ▲ stellen

Keine weiteren „Eingriffe“ vornehmen, sondern zentrale SPIT Kundendienstwerkstatt kontaktieren.



Altgeräte enthalten wertvolle Materialien, die zur Wiederaufarbeitung geeignet sind. Gerät nicht dem normalen Hausmüll beifügen, sondern über geeignete Sammelsysteme fachgerecht entsorgen, z. B. über Ihre kommunale Entsorgungsstelle.

DATI TECNICI

Potenza nominale	1400	W
Potenza massima	1600	W
Voltaggio	110 / 220	V~
Corrente	6,5	A
Frequenza	50 / 60	Hz
Flusso d'aria sul soffiante	64	l / s
Depressione sul soffiante	259	hPa
Dimensioni (L x H x B)	400 x 540 x 400	mm
Cavo	8	m
Cavo di collegamento negli apparecchi con spina	H07RN-F 3G1,5	
Pressione acústica	70,0	dB(A)

La protezione delle orecchie trasporta!

Collaudi ed omologazioni per aspiratori M ed H

I collaudi elettrotecnici vanno eseguiti in accordo alle normative antinfortunistiche (BGV A3) e in accordo alla norma DIN VDE 0701 sezione 1 e sezione 3. Tali collaudi vanno eseguiti ad intervalli regolari, in accordo alla norma DIN VDE 0702, e dopo interventi di riparazione o modifiche.

Almeno una volta l'anno il produttore, o una persona qualificata, deve eseguire un controllo per l'efficienza dell'aspirazione di polveri, controllando ad es, la presenza di danni sul filtro, la tenuta dell'apparecchio e il funzionamento dei dispositivi di controllo.

CE - Registrazione dichiarazione

Typ Spit AC 1625 e AC 1630P

Dichiariamo sotto nostra unica responsabilità che il prodotto è conforme alle direttive comunitarie e alle norme di riferimento: alla direttiva bassa tensione 73/23/CEE con modifiche, alla direttiva sulla compatibilità elettromagnetica 89/336/CEE con modifiche.

Gli aspiratori sono stati collaudati con successo in accordo alla norma IEC/EN 60335-2-69.

Paul van Beek
direttore amministrativo

Ruben Bernaert
Prodotto manager

ITW Heger
Industriepark
Cardijnlaan 3
B-8600 Diksmuide
Belgien

PRIMA DELL'UTILIZZO

Durante il disimballaggio, controllare che tutti i componenti siano presenti e non mostrino danni dovuti al trasporto.

Leggere con attenzione tutte le informazioni allegate. Infatti contengono importanti indicazioni per l'utilizzo, la sicurezza operativa, la manutenzione e la cura dell'apparecchio. Conservare accuratamente le istruzioni d'uso e, se si rivende l'apparecchio, consegnarle al futuro proprietario. Con riserva di modifiche su componenti ed equipaggiamento.

SETTORI APPLICATIVI

Per l'aspirazione di polvere e liquidi.

Gli aspiratori della classe M sono adatti per assorbire/aspirare polveri asciutte non infiammabili, liquidi non infiammabili, polveri di legno e polveri pericolose con valori AGW $\geq 0,1$ mg/m³.

Gli aspiratori della classe H sono adatti per assorbire/aspirare polveri asciutte non infiammabili, particelle cancerogene e patogene nonché liquidi non infiammabili, polveri di legno e polveri nocive alla salute con valori AGW $< 0,1$ mg/m³.

MESSA IN ESERCIZIO

Non consentito in caso di polveri con valori MAK > 1 mg/m³. Accendere/spegnere l'apparecchio con l'interruttore ②a sulla parte superiore ① (o inserire la modalità automatica).

Pannello di funzionamento

In base al modello, si possono selezionare le funzioni e le impostazioni di seguito indicate.

0 = Aspiratore >spento<

I = Aspiratore >acceso<

A = Stand-by per la modalità automatica di acceso/spento.

(Si accende e si spegne l'aspiratore dell'utensile elettrico in uso)

AC = Stand-by come "A" plus Pulizia filtro automatica. Funzione di pulizia filtro; con l'interruttore in questa posizione si mette in esercizio per ca. 10 sec. Il vibratore, che poi si spegne automaticamente.

La presa ②b è prevista per il collegamento di un utensile elettrico.

Attenzione! Gli utensili elettrici devono essere spenti al momento del collegamento. Con spina di rete inserita, la presa è sempre sotto tensione, indipendentemente dalla posizione dell'interruttore. Con interruttore in posizione "0" si può quindi utilizzare la presa come prolunga (ad es. per l'illuminazione).

Potenza allacciata: aspiratore e apparecchio collegato max. 16 A.
Selettore ②d per segnale di volume minimo (clacson e luce) aspiratori di classe „M“ ed “H“. In modalità “A” o “AC” si esegue la seguente impostazione, in base al diametro del tubo flessibile:

Non si regola il numero di giri.

L'aspiratore opera sempre con il numero massimo di giri.

Diametro interno del	Posizione
Ø 35 mm	70 m³/h
Ø 27 mm	40 m³/h
Ø 21 mm	20 m³/h

Le bocche di aspirazione degli utensili elettrici non sono an-cora standardizzate.

Pertanto si dispone di un adattatore (ugello in gomma o muffola in gomma), da adattare, accorciandolo, al relativo utensile elettrico.

OPERAZIONE (aspirazione di polvere e liquidi)

Se si utilizza il tubo con impugnatura, si può regolare la potenza di aspirazione con il cursore dell'aria.

Aspirazione di polvere.

Aspirare sempre e solo con filtro, apparecchio e accessori asciutti, per evitare possibili incrostazioni di polvere. Se si aspirano fuliggine, cemento, gesso, farina o polveri analoghe, si consiglia di utilizzare il sacchetto filtro di carta.

Utilizzare il sacchetto filtro di carta sempre con cartucce filtro.

Aspirazione di liquidi

Aspirare senza sacchetto filtro di carta. Per l'aspirazione di liquidi vanno utilizzate le cartucce filtro.

In sensore integrato spegne automaticamente il motore quando il contenitore è pieno. Svuotare l'apparecchio come descritto. Se non si spegne l'apparecchio, rimane comunque in funzione la protezione antirivvivo. L'apparecchio risulta nuovamente pronto per l'esercizio solo dopo averlo spento e nuovamente acceso.

- Prima di procedere alla svuotamento, estrarre il tubo flessibile di aspirazione dal liquido.
- Dopo lo spegnimento potrebbe rifluire un po' d'acqua dal tubo flessibile, data la notevole potenza di aspirazione o la forma del contenitore non particolarmente adatta alla dinamica dei fluidi.
- Se si procede in seguito all'aspirazione di polvere, inserire un filtro asciutto. Se si passa spesso dall'aspirazione di polvere all'aspirazione di liquidi o viceversa, si consiglia l'utilizzo di un secondo set di filtri, preferibilmente cartucce a filtro in poliestere.

Pulizia filtro

Gli aspiratori sono dotati di un dispositivo elettromagnetico di pulizia filtro, che stacca dalla cartuccia del filtro pieghettato i residui di polvere aderitevi. Ciò garantisce un utilizzo ottimale del filtro pieghettato e prolunga i cicli operativi.

Pulizia manuale

Al più tardi all'accensione della spia di indicazione del flusso del volume ②c (segnalatore luminoso), all'emissione del segnale di allarme o se si nota una riduzione della potenza di aspirazione, va azionato il dispositivo vibratore (posizione dell'interruttore AC/interruttore ②a).

Pulizia automatica (vibrazione automatica)

Tale pulizia filtro avviene automaticamente alla prossima interruzione, al raggiungimento del flusso di volume minimo impostato (posizione dell'interruttore AC/interruttore ②a).

Svuotamento del contenitore

Non consentito in caso di polveri con valori AGW > 1mg/m³.

Spegnere ②a, scollegare la spina ⑥, aprire le chiusure ad incastro ⑨. Estrarre la parte superiore ① e il tubo di aspirazione flessibile dal contenitore ⑦. Svuotare il contenitore.

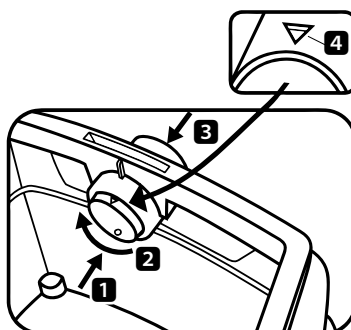
Sacchetto filtro di carta

Per inserire o estrarre il sacchetto filtro/sacchetto di scarico, togliere la parte superiore ①. A tal fine, aprire le chiusure laterali ⑨. Utilizzare i sacchetti filtro di carta solo per l'aspirazione di polveri.

Inserimento del sacchetto filtro di carta

- Contenitori da 25 litri
Spingere la flangia sulla bocca di aspirazione.
- Contenitori speciali da 25 l AC 1625 M
possono essere fatti funzionare solo con sacchetti filtro di carta, se vengono aspirate polveri con valori limite di esposizione (valori AGW) > 0,1 mg/m³.

Posizionare verso l'alto la manopola nella bocca di aspirazione contraddistinta dal simbolo ▲ ④ e spingere la flangia sulla bocca di aspirazione.

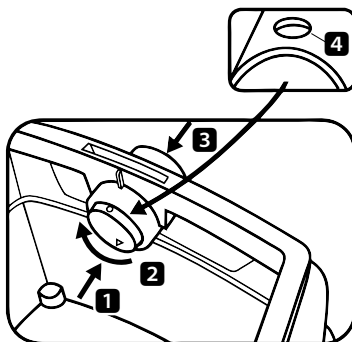


Sostituzione del sacchetto filtro di carta

Estrarre con precauzione la flangia dal bocchettone di aspirazione e chiuderla.
Prima di riporre l'aspiratore accendere il motore per consentire l'aspirazione di eventuali polveri in sospensione.
Smaltire i materiali aspirati nel rispetto delle leggi vigenti.

Sacchetti di scarico in plastic

Solo gli aspiratori M con contenitori speciali dotati di manopola nella bocca di aspirazione tipo AC 1625 M sono progettati per l'utilizzo di sacchetti di scarico in plastica. Posizionare verso l'alto la manopola nella bocca di aspirazione, contraddistinta dal simbolo tondo ● 4 .



Utilizzo della manopola:

premere la manopola dall'interno all'esterno 1, ruotarla di 180° 2 (v. contrassegno 4) e premerla di nuovo dall'esterno nel supporto di aspirazione 3, verso l'interno.

Spingere la flangia sul supporto di aspirazione, poggiare l'apertura del sachetto sul bordo del contenitore.

Sostituzione del sacchetto di scarico in plastic

Togliere il tubo di aspirazione, chiudere l'apertura di aspirazione 8 con i tappi (posiz. 8a).

Inserire il motore prima di toglierla, per poter aspirare eventuali polveri libere che si presentano.

Chiudere il sacchetto di scarico con l'apposita chiusura.

Estrarre con precauzione la flangia dall'apertura di aspirazione e chiuderla ermeticamente.

Smaltire i materiali aspirati nel rispetto delle leggi vigenti.

PULIZIA

Pulire contenitore ed accessori con acqua.

Per la parte superiore 1, utilizzare un panno inumidito.

Lasciar asciugare contenitore ed accessori con acqua.

Cartucce di filtro non può essere pulito con aria compressa!

MANUTENZIONE

Se la potenza di aspirazione dell'aspiratore si riduce, e anche la pulizia della cartuccia filtro ⑫ non migliora la potenza di aspirazione (con contenitore ⑦ svuotato e nuovo sacchetto filtro di carta ⑭) si dovrà sostituire la cartuccia filtro ⑫.

Prima della sostituzione sottoporre la cartuccia filtro ⑫ a vibrazione. Utilizzando una moneta o un oggetto analogo, ruotare in senso antiorario e di 90° la chiusura ⑤ sul dispositivo di bloccaggio ④, quindi premere il dispositivo di bloccaggio ④ verso il retro. Aprire la calotta ed estrarre verso l'alto la cartuccia filtro ⑫. Chiudere immediatamente la cartuccia filtro tolta in un sacchetto di plastica a tenuta di polvere e smaltire conformemente alle disposizioni. Inserire la nuova cartuccia filtro. Abbassare la calotta e farla scattare in posizione premendola leggermente.

Se il filtro di protezione motore ⑬ è sporco, significa che le cartucce filtro sono difettose. Cambiare la cartuccia filtro. Lavare il filtro di protezione motore con acqua corrente, asciugarlo e reinserirlo.

INTERVENTI IN CASO DI GUASTO

Guasto	Possibile causa	rimedio
Riduzione della potenza di aspirazione	Filtro sporco Filtro in carta pienop Contenitore pieno Bocchettone, tubi rigidi o tubo flessibile intasati	Pulizia Sostituzione Svuotamento. Pulizia.
L'apparecchio non si accende	La spina è inserita nella presa? La rete è sotto tensione? La linea di rete funziona correttamente? La calotta è chiusa correttamente? Il sensore per l'acqua è scattato?	
Il sacchetto di scarico in plastica viene aspiratosui filtri		Impostare la manopola in posizione ●
A sacchetto filtro in carta inserito polvere nel contenitore negli aspiratori M o H		Impostare la manopola in posizione ▲

Non eseguire alcun >intervento<, ma rivolgersi ad un'officina autorizzata del servizio di assistenza clienti. SPIT



Le apparecchiature vecchie contengono materiali preziosi adatti al riciclaggio. Non smaltire l'apparecchio con i rifiuti domestici normali ma in modo appropriato attraverso sistemi di raccolta idonei.

TECHNISCHE GEGEVENS

Vermogen	1400	W
Max. vermogen	1600	W
Spanning	110 / 220	V~
Stroom	6,5	A
Frequentie	50 / 60	Hz
Luchtstroom bij motor	64	l / s
Onderdruk bij slang	259	hPa
Massa (L x H x B)	400 x 540 x 400	mm
Kabel	8	m
Aansluitingskabel bij apparaten met stopcontact	H07RN-F 3G1,5	
Geluidsniveau	70,0	dB(A)

NL

De bescherming van de portier une acoustique!

Keuringen en toelating voor M- en H-zuiger

Elektrotechnische keuringen moeten volgens de regels van de veiligheidsvoorschriften (BVG A3) en volgens DIN VDE 0701 deel 1 en deel 3 worden toegepast. Deze testen zijn verplicht volgens DIN VDE 0702 na uitgevoerde reparaties of veranderingen.

Minimaal jaarlijks moet door de fabrikant of een daarvoor geschikt persoon een stoftechnische test uitgevoerd worden, bijvoorbeeld op filterbeschadigingen, dichtheid van de machine, functioneren van de controle-inrichting.

CE - Registration Statement

Typ Spit AC 1625 en AC 1630P

Wij verklaren als hoofdelijk verantwoordelijken dat dit product overeenstemt met onderstaande EEG-richtlijnen en van toepassing zijnde normen: laagspanningsrichtlijn 73/23/EEG met aanpassingen, EMC-richtlijn 89/336/EEG met aanpassingen.

De zuiger is volgens IEC/EN 60335-2-69 succesvol getest.

Paul van Beek
Directeur

Ruben Bernaert
Product Management

ITW Heger
Industriepark
Cardijnlaan 3
B-8600 Diksmuide
Belgien

VOOR HET GEBRUIK

Let bij het uitpakken op volledigheid en transportschade.
Lees alle informatie aandachtig door. Deze geven belangrijke instructies over het gebruik, veiligheid alsook onderhoud en verzorging. Bewaar deze gebruiksaanwijzing zorgvuldig en geef deze evt. aan een volgende eigenaar door. Constructie en uitrustingsveranderingen voorbehouden.

TOEPASSINGSGEBIEDEN

Voor nat en droog zuigen.

Zuiger uit M klasse zijn geschikt voor het op-/afzuigen van droge niet brandbare stoffen, niet brandbare vloeistoffen, houtstoffen en gevaarlijke stoffen met AGW's $\geq 0,1 \text{ mg/m}^3$.

Zuiger uit H klasse zijn geschikt voor het op-/afzuigen van droge niet brandbare stoffen, kankerverwekkende en ziekteopwekkende deeltjes alsook niet brandbare vloeistoffen, houtstoffen en gezondheidsgevaarlijke stoffen met AGW's $< 0,1 \text{ mg/m}^3$.

INBEDRIJFSTELLING

Met schakelaar ②a in bovendeel ① de machine aan-/uitschakelen (resp. in automaatstand schakelen)

Bedieningsveld

Al naar uitvoering zijn volgende functies en instellingen kiesbaar.

0 = zuiger >uit<

1 = zuiger >aan<

A = bedrijfsklare toestand voor aan-/uitschakelautomaat (zuiger wordt door elektrisch gereedschap aan- en uitgeschakeld)

AC = Filter reinigingsfunctie; in deze schakelstand wordt voor ca. 10 seconden de trilmecanisme in werking gezet en schakelt daarna automatisch uit.
Zoals bij schakelstand „A“ plus automatische filterreiniging.

Het stopcontact ②b is voorzien voor de aansluiting van elektrisch gereedschap

LET OP! Elektrisch gereedschap moet bij het aansluiten uitgeschakeld zijn. Het stopcontact staat bij aangesloten netsnoer onafhankelijk van de schakelstand altijd onder spanning. In schakelstand “0” kan zo het stopcontact als verlengkabel (bijv. voor een lamp) gebruikt worden.

Aansluitwaarde: zuiger en aangesloten machine max. 16 A.
Met de draaiknop ②d kan de zuigkracht traploos aangepast worden.
Volumestroom instelling bij zuigers uit de M en H klasse
Keuzeschakelaar ②d voor volumestroom instelling (akoestisch en optisch)
bij afzuigen van de Klasse M en H. In de modus "AC" wordt afhankelijk van
slangdoors-nede volgende instelling voorgenomen

Binnendiameter van de slang	Schakelstand
Ø 35 mm	70 m³/h
Ø 27 mm	40 m³/h
Ø 21 mm	20 m³/h



Het vereist geen toerentalregelaar. De stofzuiger zuigt altijd met maximale zuigkracht.

De afzuigopeningen van het elektrisch gereedschap zijn nog niet genormeerd. Daarom staat de adapter (gummi verloop) ter beschikking, die door inkorting aan het desbetreffende gereedschap aangepast kan worden.

WERKEN (nat en droog zuigen)

Bij het gebruik van de handgreep kan met de luchtregelaar de zuigkracht aangepast worden.

Droog zuigen

Alleen met droge filters, machine en toebehoor zuigen, zodat stof niet blijft plakken en er geen korst kan vormen. Wanneer roet, cement, gips, meel of dergelijke stoffen wordt opgezogen, adviseren wij papier filterzakken te gebruiken.

Papier filterzakken altijd in combinatie met cassettes inzetten.

Nat zuigen

Zonder papier filterzak zuigen. De (polyester) filtercassettes zijn geschikt voor nat zuigen.

De ingebouwde sensor schakelt de motor uit wanneer de ketel vol is. Machine ledigen zoals beschreven. Wanneer de machine niet wordt uitgeschakeld, blijft de beveiliging tegen herstarten actief. Eerst na het uitschakelen en het herinschakelen is de machine weer bedrijfsklaar.

- Voor het ledigen eerst de slang uit de vloeistof nemen.
- Door hoge zuigkracht en stromingsgunstige ketelvorm, kan na het uitschakelen een beetje water uit de slang teruglopen.
- Bij aaneengesloten (droog)zuigen dient u een droog filter te gebruiken. Bij veelvuldig nat/droog gebruik adviseren wij een set filters. Bij voorkeur Polyesterfilter-cassettes

Filterreiniging

De zuigers zijn met een elektromagnetische filterreiniging uitgevoerd, waardoor aanhechtende stof van het filtercassette afgeschud kan worden. Dit geeft een optimaal gebruik van de filtercassettes en vergroot de arbeidscyclus.

Manuele reiniging

Na het oplichten van de volumestroomaanduiding ②c (waarschuwinglampje) of bij horen van een akoestische toon (bijvoorbeeld vermindering van de zuigkracht) zal het trilmechanisme (Draaischakelaar A of AC ②a in werking treden).

Automatisch reiniging (trilautomaat)

Deze filterreiniging gebeurt automatisch bij het bereiken van de ingestelde volumestroom in de eerst volgende arbeidspauze (schakelstand AC/ schakelaar ②a).

Ledigen van de ketel

Alleen geoorloofd bij stoffen met AGW's >1 mg/m³.

Uitschakelen ②a, stekker ⑥ uittrekken, ketelklemmen ⑨ openen. Bovendeel ① en slang van ketel ⑦ afnemen. Ketel leegmaken.

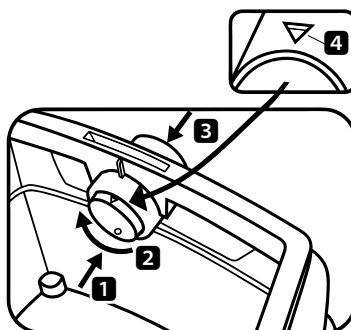
Papier filterzak

Voor inzetten resp. uitnemen van de filterzak, bovendeel (Pos. ①) afnemen. Daarvoor de zijdelingse klemmen (Pos. ⑨) openen. Papier filterzak alleen voor droog zuigen gebruiken.

Inzet van papier filterzak

- 25 liter ketel:
Flens over de aanzuigopening schuiven
- 25 l speciaal ketel bij AC 1625 M mogen alleen met papier filterzakken ingezet worden, als het stof met grenswaarde (AGW's) >0,1 mg/m³ opgezogen word.

Is het draaibare gedeelte zo in te stellen dat de markering „boring gesloten” ▲ ④ naar boven wijst. Flens over de zuigingang schuiven.



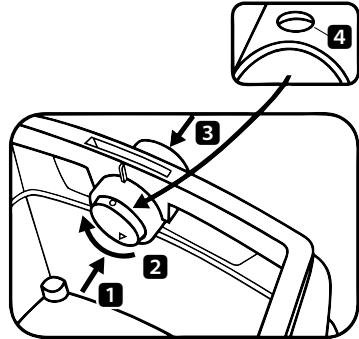
Wisselen van papier filterzak

Flens voorzichtig van de aanzuigstomp trekken en flens sluiten Motor voor het afstellen inschakelen daarmee eventueel afvallende zweefstof aangezogen kan worden.

Opgezogen stof volgens de wettelijke regels afvoeren.

(PE) opvangzak

Alleen de M-zuiger met speciale ketel en draaibaar deel in de zuigopening, de typen AC 1625 M, zijn voor het gebruik van plastic opvangzakken geschikt. Draaibaar deel in de aanzuigopening met de ronde markering ● 4 naar boven stellen.



Bediening van het draaibare deel:

Draaibaar deel van binnen naar buiten drukken **1**, 180° draaien **2** (zie markering **4**) en van buiten via het aan-zuigsluitstuk weer naar binnen drukken **3**.

Flens over aanzuigstomp schuiven, bovenste opvangzak opening over ketelrand leggen.

Wisselen van de (PE) opvangzak

Slang ontkoppelen, aanzuigopening ⑧ met stop (Pos. ⑧a) sluiten.

Bovendeel afnemen, Motor voor het neerzetten inschakelen, zodat eventueel afvallend stof opgezogen kan worden. Opvangbak dmv sluitband afsluiten.

Houder voorzichtig van opvangbak loshalen en dicht afsluiten. Opvangzak volgens plaatselijke voorschriften afvoeren.

REINIGING

Ketel en toebehoren met water reinigen.

Bovendeel met vochtige doek afwassen.

Ketel en toebehoren laten drogen.

Filter cartridges kan niet worden gereinigd met perslucht!

ONDERHOUD

Wanneer het zuigvermogen van de zuiger vermindert en ook het reinigen van de filters ⑫ het zuigvermogen niet verhoogt (als voorwaarde, ketel ⑦ leeg is gemaakt en papier filterzak ⑭ is vervangen), dan is het noodzakelijk, de filtercassettes ⑫ te vernieuwen.

Filtercassettes ⑫ voor de filterwisseling nog een keer afschudden. Met een muntstuk of een dergelijk voorwerp de sluiting ⑤ aan grendel ④ 90° tegen de wijzers van de klok in draaien en grendel ④ naar achter drukken. Kap openklappen en filtercassetten ⑫ naar boven uitnemen. De uitgenomen filtercassette direct in een stofdichte plastic zak afsluiten en volgens de wettelijke regels afvoeren. Nieuwe filtercassettes plaatsen. Kap naar beneden klappen en door een lichte druk vergrendelen.

Wanneer het motorbeschermfilter ⑬ vervuild is, betekent dat er kapotte filtercassetten gemonteerd zijn.

Het is dan noodzakelijk om de filtercassettes te vervangen. Motorbeschermfilter met stromend water uitwassen, drogen en opnieuw plaatsen of vervangen.

ZELF VERHELPEN VAN STORINGEN

Storing	Mogelijke oorzaak	verhelpen
Vermindering van het zuigvermogen.	Filter vervuild Papier filterzak vol Ketel vol Zuigmond, buizen of Slang verstopt	reinen wisselen ledigen reinen
Machine gaat niet aan.	Stekker in stopcontact? Netspanning in orde? Netsnoer in orde? Machinekap goed gesloten? Watersensor heeft uitgeschakeld?	
(PE) opvangzak wordt naar het filter gezogen		Draaibaar deel naar pos. ● zetten ●
Bij ingezette Papier filterzak stof in ketel bij M- of H-zuigers		Draaibaar deel op pos. ▲ zette

Geen verdere >ingrepen< uitvoeren, maar u SPIT dealer contacteren.



Oude toestellen bevatten waardevolle materialen, die geschikt zijn voor recycling. Het toestel niet met het gewone huisvuil verwijderen, maar deskundig verwijderen via geschikte verzamelsystemen.

DATOS TÉCNICOS

Potencia nominal	1400	W
Potencia máx.	1600	W
Voltaje	110 / 220	V~
Corriente	6,5	A
Frecuencia	50 / 60	Hz
Corriente de aire en el ventilador	64	l / s
Bajopresión en el ventilador	259	hPa
Masa (L x H x B)	400 x 540 x 400	mm
Cable	8	m
Cable de conexión para aparatos con caja de enchufe	H07RN-F 3G1,5	
Presión sonora	70,0	dB(A)



¡La protección de los oídos lleva!

Controles y Certificaciones del aspirador M y H

Debe someterse a los controles electrotécnicos previstos en las Estipulaciones de la Normativa de prevención de riesgos laborales (BGV A3) y en DIN VDE 0701 Partel 1 y Parte 3. Deberán repetirse estos controles regularmente según los establecido en DIN VDE 0702 y también después de las revisiones de puesta a punto o de cualquier modificación en el aparato.

Por lo menos una vez al año el fabricante o un técnico debidamente formado debe realizar un control técnico del polvo, por ejemplo para comprobar posibles deterioros del filtro, la hermeticidad del aparato, el funcionamiento de los dispositivos de control.

CE - Declaración de Registro de

Typ Spit AC 1625 y AC 1630P

Bajo nuestra propia y exclusiva responsabilidad declaramos que este producto cumple las normativas de la CCE y las normas pertinentes: normativa para la baja tensión 73/23/CCE con modificaciones, normativa EMV 89/336/CCE con modificaciones.

Aspiradores examinados con resultado positivo con arreglo a IEC/EN 60335-2-69.

Paul van Beek
Director general

Ruben Bernaert
Gerente de Producto

ITW Heger
Industriepark
Cardijnlaan 3
B-8600 Diksmuide
Belgien

ANTES DE USAR EL APARATO

Revise al desembalar el aparato que dispone de todas las piezas y que no se hayan producido daños durante el transporte. Lea con cuidado todas las informaciones, encontrará indicaciones importantes para el uso, la seguridad y el mantenimiento y cuidado. Guarde las instrucciones en sitio seguro y entrégelas, en su caso, al siguiente propietario. Nos reservamos el derecho a introducir modificaciones en la construcción y el equipamiento.

APLICACIONES

Para limpieza en seco y en mojado.

Los aspiradores de la clase M son apropiados para aspirar polvo seco no inflamable, líquido no inflamable, polvo peligroso con $VLA \geq 0,1 \text{ mg/m}^3$. (= 'Valores límite ambientales') (AGW).

Los aspiradores de la clase H son apropiados para aspirar polvo seco no inflamable, partículas cancerígenas o que pueden originar enfermedades, así como líquidos no inflamables, polvo de madera y polvos nocivos para la salud con $VLA < 0,1 \text{ mg/m}^3$. (= 'Valores límite ambientales') (AGW).

PUESTA EN MARCHA

Con el interruptor ②a en la tapa superior ① encender y apagar el aparato (o posicionarlo en funcionamiento automático).

Mandos (ver dibujos)

Dependiendo del modelo se pueden seleccionar las siguientes funciones y ajustes:

- 0 = aspirador >apagado<
- I = aspirador >encendido<
- A = Preparado para encendido/apagado automático.
(el aspirador se enciende y apaga con la herramienta eléctrica)
- AC = posición de preparado como limpieza de filtro automático „A” plus.
Función de limpieza del filtro; en esta posición se pone en marcha el vibrador durante aproximadamente 10 segundos y se apaga después automáticamente.

El enchufe ②b está previsto para la conexión de una herramienta eléctrica.

¡Atención! Al realizar la conexión la herramienta eléctrica debe estar apagada. Si el aspirador está conectado al suministro eléctrico el enchufe tendrá corriente eléctrica independientemente de la posición del interruptor. De este modo puede utilizarse este enchufe como alargadera (por ejemplo, para una lámpara) incluso estando el interruptor del aspirador en posición „0”.

Capacidad del enchufe: aspirador y aparato conectado máx. 16 A.

Con el mando de ajuste de las revoluciones ②d puede regularse sin intervalos la potencia del aparato.

Interruptor de selección ②d para la señal de volumen mínimo (señal acústica y luminosa) en aspiradores de la clase „M“ y „H“. En el modo „A“ o „AC“ pueden realizarse los siguientes ajustes dependiendo del diámetro del tubo:

No se produce ajuste de las revoluciones.

Diámetro del tubo	Posición del mando
Ø 35 mm	70 m³/h
Ø 27 mm	40 m³/h
Ø 21 mm	20 m³/h

Los orificios de aspiración de las herramientas eléctricas no se encuentran regulados todavía en la normativa. Por este motivo ponemos a su disposición el adaptador (manguito de goma o manguito de goma) que, mediante acortamiento, puede adaptarse a la herramienta eléctrica correspondiente.

TAREAS (aspirado en seco y en mojado)

Si se utiliza el tubo de sujeción puede ajustarse la potencia de aspirado mediante la pequeña tapa corredera de salida de aire.

Aspirado en seco

Aspirar siempre con el filtro, el aparato y los accesorios bien secos para evitar que el polvo se adhiera y se endurezca.

Al aspirar hollín, cemento, yeso, harina o materiales similares, recomendamos utilizar una bolsa de filtro de papel.

Utilizar las bolsas de papel siempre con un cajas de filtro.

Aspirado en mojado

Aspirar sin bolsa de filtro de papel. Los cartuchos de filtros están previstos para el aspirado en mojado. Gracias al sensor incorporado el motor se apaga cuando el depósito está lleno. Vaciar el aparato siguiendo las instrucciones recogidas. Si no se apaga el aparato, se mantiene activa la protección contra encendido involuntario. Por este motivo el aparato no volverá a ponerse en marcha hasta que lo apague y vuelva a encenderlo.

- Antes de vaciarlo extraer la manguera de aspiración del líquido.
- Debido a la gran potencia de aspiración y a la forma del depósito puede retornar algo de agua en la manguera una vez desconectado el aparato.
- Si después se realiza una aspiración en seco, colocar filtros secos. En caso de que pase a menudo de aspirado en seco a mojado y viceversa le recomendamos utilizar un segundo conjunto de filtros, preferiblemente Cajas de filtros de poliéster.



Limpieza del filtro

Los aspiradores disponen de una limpieza electromagnética de filtro con la que se elimina por vibración el polvo adherido a los cajas de filtros plegados.

Limpieza manual

Debe ponerse en marcha el vibrador (posición del interruptor AC/Interruptor ②a) a más tardar en el momento que se encienda el indicador eléctrico de llenado ②c (luz de aviso) o cuando escuche la señal sonora de aviso o cuando se note pérdida de potencia de aspiración.

Limpieza automática (vibración automática)

Esta limpieza de filtro se inicia automáticamente, en el momento en el que se interrumpa el aspirado, en caso de que el caudal de aire se hubiera reducido por debajo del nivel ajustado (posición del interruptor AC/interruptor ②a).

Vaciado del depósito

Sólo autorizado con polvo con VLA (AGW) >1 mg/m³.

Apagar ②a, extraer el enchufe ⑥, abrir los pestillos ⑨, extraer la tapa superior ① y el tubo de aspiración del depósito ⑦. Vaciar el depósito.

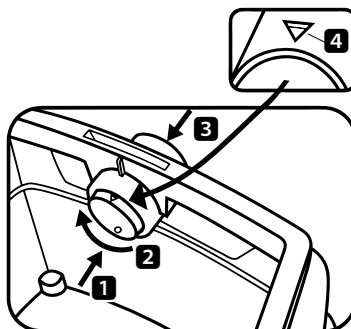
Bolsa de filtro de papel

Para introducir o extraer el filtro de papel/bolsa de vaciado extraer la tapa superior (Pos. ①). Para ello abrir los pestillos laterales (Pos. ⑨). Utilizar los filtros de papel sólo para el aspirado en seco.

Introducir el filtro de papel

- Depósito de 25 litros
Colocar el reborde sobre el orificio de aspiración
- Los modelos AC 1625 M sólo pueden utilizarse con filtros de papel cuando se aspira pùolvo con valores límite de explosión (VLA/AGW) > 0,1 mg/m³.

Colocar el selector giratorio del orificio de aspiración con la marca ▲4 hacia arriba.
Colocar el reborde sobre el orificio de aspiración.



Cambiar el filtro de papel

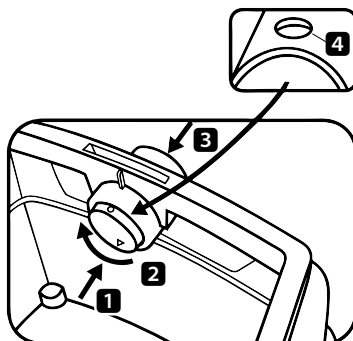
Extraer con cuidado la brida de la apertura de aspiración y cerrar herméticamente. Conectar el motor antes de terminar para poder aspirar posibles partículas de polvo que se encuentren en el air.

Desechar el material aspirado conforme a las regulaciones legales.

Bolsa reutilizables de plástico

Únicamente podrán utilizarse bolsas desechables de plástico en los aspiradores M, con depósitos especiales y válvula de cierre giratoria en la apertura de aspiración, de los tipos AC 1625 M.

Amianto válvula de cierre giratoria en la apertura de aspiración con una marca circular Colocar ● 4 hacia arriba.



Manejo del selector giratorio:

Presionar el selector de dentro hacia afuera 1 girar 180° 2 (ver marca) 4 y volver a pasarlo desde fuera hacia adentro a través del colector de aspiración 3.

Colocar el reborde sobre el orificio de aspiración, colocar la abertura superior de la bolsa en el borde del depósito.

Cambiar la bolsa reutilizable de plástico

Extraer el tubo de aspiración, cerrar el orificio de aspiración 8 con el tapón (Pos 8a).

Extraer la tapa superior. Conectar el motor antes de apagar. Cerrar la bolsa con la cinta de cierre. Sacar el reborde del orificio de aspiración y cerrarlo.

Extraer con cuidado la brida de la apertura de aspiración y cerrar herméticamente. Eliminar los residuos aspirados según lo establecido por la normativa legal vigente.

LIMPIEZA

Limpiar con agua el depósito y los accesorios.

Limpiar la tapa 1 con un paño húmedo.

Dejar que el depósito y los accesorios se sequen al aire.

La protección de los oídos lleva

No limpiar los cartuchos de filtro con aire comprimido!

MANTENIMIENTO

Será necesario cambiar los cartuchos de filtros ⑫ cuando disminuya la eficacia de aspiración, y si ésta no mejora con la limpieza de los cajas de filtros ⑫ (siempre que el depósito ⑦ se haya vaciado y se haya sustituido el filtro de papel ⑭).

Limpiar una vez más mediante vibración los cartuchos de filtros ⑫ antes de cambiarlos. Usando una moneda o utensilio similar girar 90° en dirección contraria a las agujas del reloj el cierre ⑤ del pestillo ④ y presionar el pestillo ④ hacia atrás. Levantar la tapa y extraer hacia arriba los cajas de filtros ⑫.

Recoger inmediatamente las cajas de filtro extraídas en una bolsa de plástico hermética al polvo y desechar de acuerdo a las estipulaciones legales.

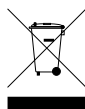
Si el filtro de protección del motor ⑬ estuviera sucio, puede indicar que la caja de filtros está defectuosa. Cambie la caja de filtros.

Limpiar el filtro de protección del motor con agua corriente, secar y volver a colocar.

EN CASO DE AVERÍA

Avería:	Possible causa	Reparación
Reducción de la eficacia de aspiración	Filtros sucios Filtro de papel lleno Depósito lleno Atasco en la boquilla, los tubos o el manguito	limpiar. cambiar vaciar. limpiar.
El aparato no enciende	¿Enchufe conectado? ¿Corriente en la red? ¿Cable de conexión en buen estado? ¿Tapa del aparato bien cerrada? ¿El sensor de agua ha desconectado el aparato?	
La bolsa de plástico se adhiere a los filtros		Colocar el selector giratorio en la posición ●.
Con el filtro de papel colocado polvo en el depósito aspiradores M o H		Colocar el selector giratorio en la posición ▲.

No realizar otras „manipulaciones“, en caso de que no se arregle, póngase en contacto con el servicio SPIT técnico cor-respondiente



Los aparatos viejos contienen materiales útiles apropiados para el reciclaje. No tire el aparato a la basura doméstica habitual sino deposítelo por favor en el contenedor de reciclaje correspondiente.

DADOS TÉCNICOS

Potência nominal	1400	W
Potência máx.	1600	W
Tensão	110 / 220	V~
Corrente	6,5	A
Frequência	50 / 60	Hz
Corrente de ar no ventilador	64	l / s
Vácuo no ventilador	259	hPa
Massa (L x H x B)	400 x 540 x 400	mm
Cabo	8	m
Condutor de alimentação para os equipamentos com tomada	H07RN-F 3G1,5	
Nível de pressão acústica	70,0	dB(A)

P

A proteção das orelhas carreg

Testes e licenças para os aspiradores M e H

Os testes electrotécnicos devem ser executados conforme as normas da prescrição para a prevenção de acidentes (BGV A3) e conforme a DIN VDE 0701, partes 1 e 3. Os testes são necessários conforme a DIN VDE 0702 em intervalos regulares e após conservação ou modificação.

Deve ser executada, no mínimo uma vez por ano, pelo fabricante ou pessoal treinado, uma verificação técnica de poeira, p.ex. quanto a avarias do filtro, estanquidade do aparelho, funcionamento dos dispositivos de controlo.

CE - declaração de registo

Typ Spit AC 1625 e AC 1630P

Declaramos, como única responsável, que este produto está em conformidade com as directivas da CE e as normas pertinentes: directiva "Baixa tensão" 73/23/CEE com as modificações e directiva "Compatibilidade electromagnética" 89/336/CEE com as modificações.

Os aspiradores são testados com bom resultado conforme a IEC/EN 60335-2-69.

Paul van Beek
O diretor-gerente

Ruben Bernaert
Gerente de Produto

ITW Heger
Industriepark
Cardijnlaan 3
B-8600 Diksmuide
Belgien

ANTES DO USO

Prestar atenção ao desempacotar à integralidade e a danos de transporte. Ler todas as informações cuidadosamente. Elas fornecem importantes avisos sobre o uso, segurança, bem como manutenção e conservação. Guardar o manual de instruções cuidadosamente e repassá-lo para o próximo proprietário do aparelho, se for o caso. Nos reservamos a modificações de construção e de equipagem.

SECTORES DE USO

Para aspirar a húmido e a seco.

Os aspiradores da classe de poeira M são apropriados para aspirar/exaurir poeiras não inflamáveis secas, líquidos não inflamáveis, poeiras de madeira e poeiras perigosas com valores de AGW $\geq 0,1 \text{ mg/m}^3$.

Os aspiradores da classe de poeira H são apropriados para aspirar/exaurir poeiras não inflamáveis secas, partículas carcinogéneas e patogénicas, bem como líquidos não inflamáveis, poeiras de madeira e poeiras nocivas à saúde com valores de AGW $< 0,1 \text{ mg/m}^3$.

COLOCAÇÃO EM FUNCIONAMENTO

Ligar/desligar com o interruptor ②a na parte superior ① do aparelho (respect. comutar para a operação automática).

Campo de comando

Conforme a equipagem, são seleccionáveis as seguintes funções e ajustes.

0 = Aspirador >desligado<

I = Aspirador >ligado<

A = Operação de prontidão para ligar/desligar automático.
(O aspirador será ligado e desligado a partir da ferramenta eléctrica).

AC = Accionamento de prontidão para o funcionamento como „A“ com limpeza automática de filtro. Função de limpeza do filtro; nesta posição de comutação, o vibrador será colocado em funcionamento por aprox. 10 s e desligará, a seguir, automaticamente.

A tomada ②b é prevista para a conexão de uma ferramenta eléctrica.

Atenção! A ferramenta eléctrica deve estar desligada quando da conexão. A tomada sempre está sob tensão, quando a ficha de rede estiver inserida, independentemente da posição do interruptor. A posição do interruptor „0“, poderá, assim, utilizar a tomada como condutor de extensão (para p.ex. luminoso).

Carga conectada: Aspirador no aparelho conectado, máx. 16 A.
A potência de aspiração poderá ser adaptada continuamente com o fixador de velocidade de rotação ②d.

Selector ②d para sinal de volume mínimo (buzina e luminoso) no caso de aspiradores das classes „M“ e „H“.
Nos modos „A“ ou „AC“, será assumido o seguinte ajuste, dependendo do diâmetro da mangueira: Não ocorre nenhuma regulação de velocidade de rotação.
O aspirador funciona sempre com a velocidade de rotação máxima.

Diâmetro interno da mangueira	Ajuste do interruptor
Ø 35 mm	70 m³/h
Ø 27 mm	40 m³/h
Ø 21 mm	20 m³/h

As aberturas de aspiração das ferramentas eléctricas ainda não estão padronizadas. Para isso, está à disposição o adaptador (bocal de borracha ou manga de borracha), que podese adaptado na ferramenta eléctrica correspondente por redução.

TRABALHAR (Aspirar a húmido e a seco)

Quando do emprego do tubo de pega, a potência de aspiração poderá ser adaptada com a correção de ar secundário.

Aspiração a seco

Somente aspirar com filtro, aparelho e acessórios secos para que a poeira não permaneça colada e incruste. Se forem aspirados negro de fumo, cimento, gesso, farinha ou poeiras similares, recomendamos o emprego de um saco de filtro de papel.

Sempre empregar o saco de filtro de papel em conexão com cassetes de filtro.

Aspirar a húmido

Aspirar sem saco de filtro de papel. Os cartuchos de filtro são apropriados para a aspiração a húmido.

O sensor montado desliga o motor quando o reservatório estiver cheio. Esvaziar o aparelho como.

Se o aparelho não for desligado, a protecção contra re-arranque permanece actuando. Somente após a desligação e uma nova ligação, o aparelho está novamente pronto para funcionamento.

- Antes de esvaziar, remover a mangueira de aspiração do líquido.
- Devido à alta potência de aspiração e a forma do reservatório que favorece o fluxo, poderá retornar um pouco de água pela mangueira após a desligação.
- No caso de trocas frequentes entre aspiração a seco e húmida, recomendamos o uso de um segundo elemento filtrante, preferencialmente cassetes filtrantes de poliéster

Limpeza do filtro

Os aspiradores estão equipados com uma limpeza electromagnética de filtro, com a qual, a poeira aderida poderá ser removida por vibração dos cartuchos de filtro de pregas. Isto assegura um uso óptimo do filtro de pregas e prolonga os ciclos de trabalho.

Limpeza manual

O mais tardar quando do acendimento do indicador de fluxo volumétrico ②c (lâmpada de alerta) ou ao soar o som de alerta, respect., quando a potência de aspiração arrefecer, deverá ser accionado a vibração (posição do interruptor em A ou AC/ interruptor ②a).

Limpeza automática (vibração automática)

Esta limpeza do filtro ocorre automaticamente ao ser atingido o fluxo volumétrico mínimo ajustado na próxima pausa de trabalho (posição do interruptor AC/interruptor ②a).

Esvaziamento do reservatório

Somente permitido no caso de poeiras com valores de AGW > 1mg/m³.

Desligar ②a, retirar a ficha ⑥, abrir o fecho de encaixe ⑨. Retirar a parte superior ① e a mangueira de aspiração do reservatório ⑦. Entornar o reservatório.

Saco de filtro de papel

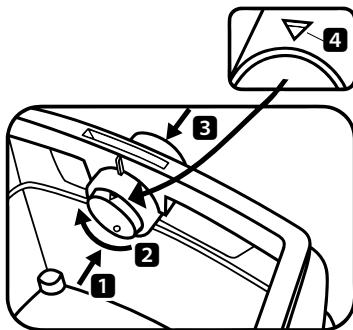
Para colocar, respect., remover o saco de filtro/saco de esvaziamento, remover a parte superior ①. Para isso, abrir os fechos laterais ⑨.

Somente utilizar o saco de filtro de papel para aspiração a seco.

Emprego do saco de filtro de papel

- Recipientes de 25 litros
Empurrar o flange sobre a abertura de aspiração.
- AC 1625 M somente devem ser operados com sacos de papel di filtro, quando forem aspiradas poeiras com valores limite de explosão (AGW) > 0,1 mg/m³.

Colocar a válvula rotativa na abertura de aspiração com a marcação ▲ ④ para cima, empurrar o flange sobre a abertura de aspiração.



Troca do saco de filtro de papel

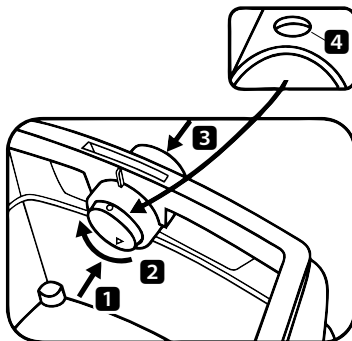
Extraír o flange cuidadosamente da tubulatura de aspiração e fechar o flange. Ligar o motor antes de depositar, para que possa ser aspirada poeira suspensa eventualmente precipitada.

Descartar o material aspirado conforme as determinações legais.

Saco de esvaziamento de material plástico

Somente os aspiradores M com reservatório especial com corredeira de rotação na abertura de aspiração, dos tipos AC 1625 M são apropriados para o uso de sacos de esvaziamento de material plástico.

Posicionar a corredeira de rotação na abertura de aspiração com a marcação redonda ● 4 para cima.



Operação da válvula rotativa:

Premir a válvula rotativa de dentro para fora 1, girar de 180° 2 (ver a marcação 4) e premir novamente de fora, através da tubulatura de aspiração, para dentro 3.

Empurrar o flange sobre as tubulaturas de aspiração, colocando a abertura superior do saco sobre a borda do reservatório.

Troca do saco de esvaziamento de material plástico

Remover a mangueira de aspiração, fechar a abertura de aspiração 8 com bujão (pos. 8a).

Ligar o motor antes de desligar, para que possa ser aspirada a poeira flutuante eventualmente depositada.

Fechar o saco de esvaziamento com fita de fecho.

Retirar com cuidado o flange da abertura de aspiração e fechar hermeticamente.

Descartar o material aspirado conforme as determinações legais.

LIMPEZA

Limpar o reservatório e os acessórios com água.

Limpar a parte superior 1 com pano húmido.

Deixar o reservatório e os acessórios secarem.

Cartuchos de filtro não pode ser limpo com ar comprimido!

MANUTENÇÃO

Se a potência de aspiração ficar reduzida e também não aumentar mais após limpeza do cartucho de filtro ⑫ (pressupondo-se que o recipiente ⑦ está vazio e o saco de filtro de papel ⑭ está trocado), é necessária, então, a troca do cartucho de filtro ⑫.

Realizar limpeza por vibração, novamente, do cartucho de filtro ⑫ antes da troca do filtro. Girar com uma moeda ou objecto similar o fecho ⑤ na tranca ④ de 90° no sentido anti-horário e premir a tranca ④ para trás. Dobrar a tampa e retirar o cartucho de filtro ⑫ para cima. Fechar imediatamente o cartucho de filtro retirado num saco de material plástico impermeável à poeira e descartar conforme o especificado. Colocar um cartucho de filtro novo. Voltar a tampa para a posição inicial e trancar por leve pressão.

Se o filtro de protecção do motor ⑬ estiver sujo, isto indica defeito nos casetes filtrantes. Trocar, sff., os casetes filtrantes. Lavar o filtro de protecção do motor debaixo de água corrente, secar e recolocar.

AUTO-ASSISTÊNCIA NO CASO DE FALHAS

Falha	Causas possíveis	Solução
Diminuição da potência de aspiração	Filtro sujo Filtro de papel cheio Reservatório cheio Bocal, tubos ou mangueira entupidos	limpar trocar tom limpar
O aparelho não funciona	Ficha na tomada? Rede sem tensão? Condutor de rede sem defeito? Tampa do aparelho fechada correctamente? O sensor de água desligou?	
Saco de esvaziamento de material plástico é aspirado no filtro		Colocar a correção de rotação na pos. ●.
Quando do emprego de saco de papel de filtro aspirar no reservatório em aspiradores M ou H.		Colocar a correção de rotação na pos. ▲.

Não executar nenhuma outra >intervenção<, mas sim dirigir-se à oficina de SPIT assistência aos clientes.



Aparelhos usados contém materiais valiosos, que são apropriados para reprocessamento. Não colocar o aparelho no lixo doméstico normal, mas sim descartar correctamente através dos sistemas de colecta adequados.

TEKNISKA DATA

Typeffekt	1400	W
Max. effekt	1600	W
Spänning	110 / 220	V~
Nuvarande	6,5	A
Frekvens	50 / 60	Hz
Luffflöde vid fläkten	64	l / s
Undertryck vid fläkten	259	hPa
Massa (L x H x B)	400 x 540 x 400	mm
Anslutningskabel	8	m
Anslutningskabel vid apparater med apparatuttag	H07RN-F 3G1,5	
Ljudtrycksnivå	70,0	dB(A)

S

Skydd av gå i ax bär!

Provningar och godkännande för M- och H-dammsugare

Eltekniska provningar skall genomföras enligt föreskrifterna i föreskrifterna för förebyggande av olycksfall (BGV A3) och enligt DIN VDE 0701 del 1 och del 3. Dessa provningar skall enligt DIN VDE 0702 utföras regelbundet och efter underhåll eller ändringar.

En dammteknisk kontroll skall åtminstone utföras varje år av tillverkaren eller av en undervisad person, t.ex. med avseende på skador på filtret, att apparaten är tät, att kontrollanordningarna fungerar.

CE-Registreringsbevis

Typ Spit AC 1625 och AC 1630P

Vi förklarar som ensamt ansvariga att denna produkt överensstämmer med följande EEG-direktivet och normer: Lågspänningsdirektivet 73/23/EEG med ändringar, EMC-direktivet 89/336/EEG med ändringar.

Dammsugarna är kontrollerade och godkända enligt IEC/EN 60335-2-69.

Paul van Beek
Verkställande direktör

Ruben Bernaert
Product Manager

ITW Heger
Industriepark
Cardijnlaan 3
B-8600 Diksmuide
Belgien

INNAN APPARATEN ANVÄNDS

Se till att apparaten är komplett när den packas upp och var uppmärksam på eventuella transportskador. Läs igenom alla informationer noggrant. De ger viktiga informationer för användning, säkerhet samt skötsel och underhåll. Förvara bruksanvisningen omsorgsfullt och lämna i förekommande fall med den till efterföljande innehavare. Vi förbehåller oss rätten till ändringar av konstruktion och utrustning

ANVÄNDNINGSSOMRÅDEN

Dammsugning av torrt och vått material.

Dammsugare i klassen M är lämpliga för att suga upp/bort torrt, icke brännbart damm, icke brännbara vätskor, trädamn och hälsovådligt damm med AGW-värden $\geq 0,1 \text{ mg/m}^3$.

Dammsugare i klassen H är lämpliga för att suga upp/bort torrt, icke brännbart damm, cancerframkallande och infekterande partiklar, samt icke brännbara vätskor, trädamn och hälsovådligt damm med AGW-värden $< 0,1 \text{ mg/m}^3$.

DRIFTSTART

Koppla till/från apparaten med brytaren ②a i överdelen ① på apparaten (resp koppla om till automatisk drift).

Manövreringsfält

Följande funktioner och inställningar kan väljas beroende på apparatens utrustning.

0 = Dammsugare >från<

I = Dammsugare >till<

A = beredskapsdrift för automatisk till/frånkoppling.
(Dammsugaren kopplas till och från av elverktiget)

AC = Beredskapsdrift som "A" plus automatisk filterrengöring.
Filterrengöringsfunktion; i den här brytarställningen sätts skakaren i drift i ca. 10 sek. och kopplas därefter från automatiskt.

Stickuttaget ②b är avsett för anslutning av ett elverktyg.

Varning! Elverktiget måste vara frånkopplat när det ansluts. Stickuttaget är alltid strömförande när nätkontakten är ansluten, oberoende av om dammsugaren är till- eller frånkopplad. I brytarställningen „0" kan alltså stickuttaget användas som förlängningskabel (t .ex. till en lampå).

Anslutningseffekt: Dammsugare och ansluten apparat max. 16 A.

Sugeffekten kan anpassas steglöst med ett varvtalsreglage ②d.

Omkopplare ②d för signal för minimal volym (siren och lampa) på dammsugare i klasserna "M" och "H".

I driftsättet „A“ eller „AC“ görs följande inställning beroende på diametern på slangen: Varvtalet regleras ej. Dammsugaren går alltid med max. varvtal.

Innerdiameter på slangen	Brytarställning
Ø 35 mm	70 m³/h
Ø 27 mm	40 m³/h
Ø 21 mm	20 m³/h

Anslutningsöppningarna för utsugning på elverktyg är ännu inte normade. Därför står adapter (gummimunstycke eller gummimuff) till förfogande, som kan anpassas till det respektive verktyget genom att de kapas av.

S

DRIFT (våt- och torrsugning)

Om greppröret används kan man anpassa sugeffekten med hjälp av sliden för extraluft.

Torrsugning

Sug bara med torrt filter, torr apparat och torrt tillbehör för att dammet inte skall fastna och bilda skikt. Om sot, cement, gips, mjöl eller liknande ämnen sugs upp rekommenderar vi att använda pappersfilterpåse.

Använd alltid pappersfilterpåse tillsammans med en filter-patron.

Vätsugning

Sug utan pappersfilterpåse. Filterpatronerna är lämpliga för vätsugning. Den inbyggda sensorn kopplar från motorn när behållaren är full. Töm apparaten så som beskrivs. Om apparaten inte kopplas från så förblir återstart-skyddet aktivt. Apparaten är inte redo för drift förrän den kopplats från och sedan till igen.

- Ta först ut sugslangen ur vätskan innan apparaten töms.
- Genom den höga sugeffekten och strömningsanpassad form på behållaren kan lite vatten komma ut genom slangen efter att apparaten kopplats från.
- Sätt i torra filter om Du fortsätter med torrsugning. Vid upprepade byten mellan torr- och vätsugning rekommenderar vi att använda en extra filtersats, helst polyester-filterkassetter.

Rengöring av filter

Dammsugarna är utrustade med en elektromagnetisk filterrengörare som skakar av fastsittande damm från veckfilterkassetter.

Manuell rengöring

Senast när volymflödesvisaren ②c (varningslampa) lyser upp eller när varningstonen hörs resp. när sugeffekten avtar bör skakfunktionen (brytarställning A eller AC/brytare ②a) aktiveras.

Automatisk rengöring (skak-automatik)

Rengöringen av filtret sker automatiskt i nästa arbetspaus när det inställda minimala volymflödet uppnås (brytarställning AC/brytare ②a).

Tömning av behållare

Endast tillåtet för damm med AGW-värde > 1mg/m³.

Koppla från ②a, dra ut stickkontakten ⑥, öppna snäpplåsen ⑨. Ta av överdelen ① och sugslangen från behållaren ⑦. Töm behållaren.

Pappersfilterpåse

Ta av överdelen ① för att sätta i resp. ta ut filterpåsen/tömningspåsen.

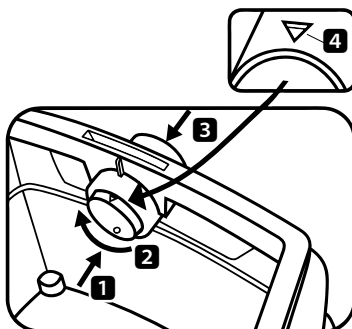
Öppna för det låsen ⑨ på sidan.

Använd endast pappersfilterpåse för torr sugning

Insättning av pappersfilterpåse

- 25 liters behållare
Skjut flänsen över insugsöppningen.
- 25 L-specialbehållare AC 1625 M får endast användas med filterpåsar av papper vid uppsugning av damm med exponeringsgränsvärde (AGW-värde) > 0,1mg/m³.

Ställ vridreglaget i insugningsöppningen så att markeringen ▲ ④ är uppåt och skjut flänsen över insugningsöppningen om material i klass M sugs med pappersfilter.



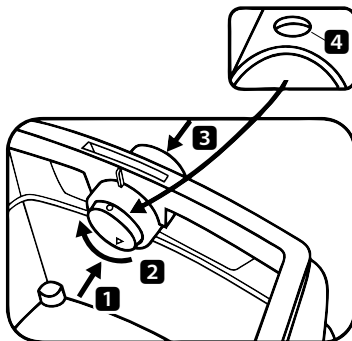
Byte av pappersfilterpåse

Dra försiktigt av flänsen från insugningsöppningen och förslut flänsen. Koppla till motorn kort innan den kopplas från, så att uppvirvlat damm som eventuellt bildats sugas bort. Avfallshandlingen av dammet måste ske enligt de lagliga föreskrifterna.

Tömningspåse av plast

Endast M- dammsugarna med special-behållare och vridreglage i insugningsöppningen, typerna AC 1625 M, är lämpliga för användning tillsammans med tömningspåsar av plast.

Ställ vridreglaget i insugningsöppningen så att den runda markeringen ● 4 är uppåt.



Manövrering av vridreglaget:

Tryck vridreglaget inifrån utåt 1, vrid 180° 2 (se markeringen 4) och tryck sedan insugningsöppningen inåtigen 3.

Skjut flänsen över insugsöppningen, lägg ovankanten på påsen över kanten på behållaren.

Byte av tömningspåse av plast

Byte av tömningspåse av plast

Avlägsna sugslangen, förslut insugsöppningen 8 med pluggen 8a.

Ta av överdelen. Koppla till motorn innan överdelen ställs ned, så att damm som eventuellt faller ned kan sugas bort.

Förslut tömningspåsen med förslutningsband.

Dra försiktigt av flänsen från insugsöppningen och förslut tätt.

RENGÖRING

Rengör behållare och tillbehör med vatten.

Törka av överdelen 1 med en fuktig trasa.

Låt behållare och tillbehör torka.

Filterpatroner kan inte rengöras med tryckluft!

UNDERHÅLL

Om dammsugarens sugeffekt avtar och om rengöring av filterpatronerna ⑫ inte längre gör att sugeffekten ökar (förutsatt att behållaren ⑦ är tom och pappersfilterpåsen ⑭ har bytts ut), då är det nödvändigt att byta ut filterpatronerna ⑫.

Skaka av filterkassetter ⑫ en gång till innan de byts. Vrid låset ⑤ på regeln ④ 90° moturs med hjälp av ett mynt eller liknande och tryck regeln ④ bakåt. Fäll upp huven och ta ut filterpatronerna ⑫ uppåt.

Stäng omedelbart in i de urtagna filterpatronerna i en damm-tät plastpåse och hantera avfallet enligt bestämmelserna.

Sätt i nya filterpatroner. Fäll ned huven och arretera genom att trycka lätt.

Om motorskyddsfiltret ⑬ är smutsigt tyder det på en defekt filterkasset.

Byt vänligen ut filterkassetten. Tvätta av motorskyddsfiltret under rinnande vatten, torka och sätt i igen.

ÅTGÄRDANDE AV STÖRNINGAR

Störning:	Möjlig orsak	Åtgärdande
Sugeffekten avtar	Filtret smutsigt Pappersfiltret fullt Behållaren full Munstycke, rör eller slang igentäppt	rengör byt ut töm rengör
Apparaten startar inte	Stickkontakten i stickuttaget? Strömavbrott? Anslutningskabeln OK? Är huven på apparaten ordentligt stängd? Har vattensensorn kopplat från?	
Tömningspåsen av plast sugts fast på filtren		Ställ vridreglaget i pos. ●.
Vid användning av filterpåse av papper Damm i behållaren på M- eller H- dammsugare		Ställ vridreglaget i pos. ▲

Utför inga andra >åtgärder< utan kontakta SPIT kundtjänst.



Kasserade apparater innehåller värdefullt material, som lämpar sig för återanvändning. Släng inte apparaten i de vanliga hushållssoporna, utan lämna den till en lämplig återvinningsstation.

TEKNISKE DATA

Nominel effekt	1400	W
Max. effekt	1600	W
Spænding	110 / 220	V~
Nuværende	6,5	A
Frekvens	50 / 60	Hz
Luftstrøm på blæseren	64	l / s
Undertryk på blæseren	259	hPa
Masse (L x H x B)	400 x 540 x 400	mm
Tilslutningskabel	8	m
Tilslutningskabel for apparater med stikkontakt	H07RN-F 3G1,5	
Lydtryk	70,0	dB(A)



Gehrschutz bære!

Kontroller og godkendelser for M- og H-suger

Der skal gennemføres elektrotekniske kontroller iht. forskrifterne i ulykkespræventionsforskrift (BGV A3) og DIN VDE 0701 del 1 og del 3. Disse kontroller er nødvendige med regelmæssige mellemrum iht. DIN VDE 0702, og efter istandsættelse ellerændring.

Fabrikanten eller en undervist person skal mindst én gang om året gennemføre en støvteknisk kontrol, fx for beskadigelse af filteret, apparatets tæthed, og kontrolindretningernes funktion.

CE - Registrering erklæring

Som eneansvarlige erklærer vi hermed, at produktet svarer til EØF-directiverne og tilsvarende normer: Lavspændingsdirektiv 73/23/EØF inkl. modifikationer, EMV-direktiv 89/336/EØF inkl. modifikationer.

Sugeren er velafprøvet iht IEC/EN 60335-2-69.

Paul van Beek
Administrerende direktør

Ruben Bernaert
Product Manager

ITW Heger
Industriepark
Cardijnlaan 3
B-8600 Diksmuide
Belgien

INDEN BRUG

Vær ved udpakning opmærksom på fuldstændighed og transportskader. Læs alle informationer opmærksomt igennem. Disse giver vigtige henvisninger til brug, sikkerhed samt vedligeholdelse og pleje. Opbevar brugsanvisningen omhyggeligt, og giv i givet fald denne videre til den næste ejer. Vi forbeholder os ret til konstruktions- og udrustningsændringer.

INDSATSOMRÅDER

Til våd- og tørsugning.

Støvsugere til støvklasse M er velegnet til opsugning af tørre, ikke brændbare støvarter, ikke brændbare væske, træstøv og farligt støv med AGW's $\geq 0,1 \text{ mg/m}^3$.

Sugere af støvklasse H er velegnet til opsugning af af tørt, ikke brændbart støv, kræftfremkaldende og sygdomsfremkaldende partikler, samt ikke brændbare væsker, træstøv og helbredstruende støv med AGW's $< 0,1 \text{ mg/m}^3$.

INBETRIEBNAHME

Tænd/sluk apparatet med kontakt ②a i overdelen ① (hhv. stil på automatikdrift).

Betjeningsfelt

Alt efter udrustning kan der vælges følgende funktioner og indstillinger.

- 0 = suger >sluk
- I = suger >tænd<
- A = beredskabsdrift for tænd-/slukautomatik.
(Suger tændes og slukkes af elektroværktøjet)
- AC = beredskabsdrift som „A“ plus automatisk filterrensning.
filterrensningsfunktion; i denne kontaktstilling slås rysteren til i ca. 10 sek., og slår derefter automatisk fra.

Stikdåse 2b er beregnet for tilslutning af et elektroværktøj.

Obs! Elektroværktøjet skal være slået fra ved tilslutning. Stikdåsen er, uafhængig af afbryderstillingen, altid strømførende når netstikket er sat i. I afbryderstilling „0,“ kan man således benytte stikdåsen som forlængerledning (til fx en lampe).

Tilslutningsværdi: Suger og tilsluttet apparat max. 16 A.

Sugeydelsen kan tilpasses trinløst med omdrejningstalsregulatoren ②d.

Forvalgkontakt ②d til mindstevolumensignal (horn og lampe) ved sugere af klasse „M“ og „H“. Afhængigt af slangediameteren foretages der følgende indstilling i modus „A“ eller „AC“: Der sker ingen omdrejningstalsregulering. Sugereren kører altid med max. Omdrejningstal

Indvendig slangediameter	Afbryderstilling
Ø 35 mm	70 m ³ /h
Ø 27 mm	40 m ³ /h
Ø 21 mm	20 m ³ /h

Elektroværktøjernes udsugningsåbninger er endnu ikke standardiseret. Derfor findes der forskellige adaptorer (gummidyse eller gummimuffe), der ved afkortning kan tilpasses til det pågældende elektroværktøj.

ARBEJDE (våd- og tørsugning)

DK

Når grebrøret anvendes kan sugedydelsen tilpasses med hjælpeluftskyderen.

Tørsugning

Sug kun med tørt filter, apparat og tilbehør, således at støv ikke sætter sig fast og danner skorper. Hvis der skal suges sod, cement, gips, mel eller lignende støv, anbefaler vi at anvende en papirfilterpose.

Anvend altid papirfilterposer sammen med filterkassetter.

Vådsugning

Sugning uden papirfilterpose. Filterkassetterne er egnet til vådsugning.

Den indbyggede sensor slår motoren fra når beholderen er fuld. Tøm apparatet som beskrevet. Slås apparatet ikke fra, er genstartbeskyttelsen forsat virksom. Først efter frakobling og fornyet gentilkobling er apparatet driftsklar igen.

- Inden tømning skal slangen først tages op af væsken.
- Som følge af den høje sugedydelse og den strømningsgunstige beholderform, kan der efter afbrydelsen løbe en smule vand ud af slangen.
- Ved efterfølgende tørsugning skal der isættes et tørt filter. Ved hyppig skift mellem tør- og vådsugning, anbefaler vi brug af et ekstra filtersæt, fortrinsvis polyesterfilterkassetter.

Filterrensning

Sugeren er udstyret med en elektromagnetisk filterrensning, hvormed vedhæftende støv kan rystes af foldefilterpatronerne.

Manuel rensning

Senest når volumenstrømindikator ②c tænder (advarselsslampe) eller ved advarselsslyd hhv. ved faldende sugedydelse bør afrytningen (kontaktstilling A eller AC/kontakt ②a) aktiveres.

Automatisk rensning (ryste-automatik)

Denne filterrensning foretages automatisk når den indstillede min. volumenstrøm nås i den næste arbejds pause (afbryderstilling AC/afbryder ②a).

Beholdertømning

Kun godkendt til støv med AGW's > 1mg/m³.

Sluk apparatet ②a, træk stikket ⑥ ud, åbn låse ⑨.
Tag overdelen ① og sugeslangen af beholderen ⑦. Tøm beholderen.

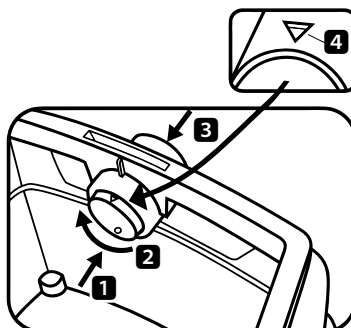
Papirfilterpose

Overdelen ① tages af ved isætning hhv. udtagning af filterposen/tømningsposen.
Åbn låsene ⑨ på siden. Anvend kun papirfilterposer til tørsugning.

Isætning af papirfilterpose

- 25 liters beholder
Skub flangen over indsuigningsåbningen
- 25 l-specialbeholder på AC 1625 M må kun anvendes med papirfilterposer, når der opsuges støv med eksplosionsgrænseværdier (AGW's) > 0,1mg/m³.

Stilles drejeskyder i indsuigningsåbningen med markering ▲ ④ opad, skub flangen over indsuigningsåbningen.



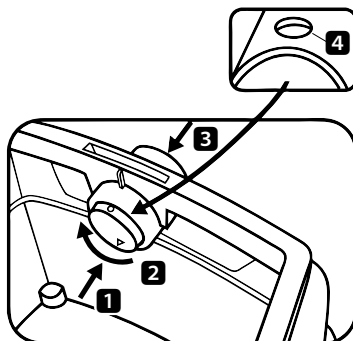
Udskiftning af papirfilterpose

Flangen trækkes forsigtigt af indsugningsstudsene, og flangen lukkes. Motoren slås til før den henstilles for at eventuelt svævestøv kan blive suget in. Det opsugede materiale bortskaffes efter lovens foreskrifter.

Plastikudtømningsposer

Kun M-sugere med specialbeholder og drejeskyder i indsugningsåbningen, af typerne AC 1625 M, kan bruges med anvendelse af plastikposer til at tømme.

Drejeskyderen i indsugningsåbning stilles opad med den runde markering ● 4.



Betjening af drejeskyder:

Tryk drejeskyderen indefra og udad 1 drej den 180° 2 (se markering 4) og skub den igen udefra indad gennem indsugningsstudsene 3.

Skub flangen over indsugningsstudsene, og læg den øverste poseåbning over beholderkanten.

Udskiftning af plastikudtømningsposen

Udskiftning af plastikudtømningsposen.

Sugeslangen fjernes, sugningsåbningen 8 lukkes til med proppen 8a. Overdelen tages af. Motoren slås til før standsning så eventuelt tilstedeværende svævestøv kan blive suget op. Tømningsposen lukkes til lukkeband. Flangen trækkes forsigtigt af sugeåbningen og lukkes tæt til. Det opsugede materiale bortskaffes efter lovens bestemmelser.

RENGØRING

Rengør beholder og tilbehør med vand.

Tør overdelen 1 af med en fugtig klud

Lad beholder og tilbehør tørre.

Filter patroner ikke kan rengøres med trykluft!

DK

VEDLIGEHOLDELSE

Falder sugerens sugedydelse, og forøger rensning af filter-kassetterne ⑫ heller ikke sugedydelsen mere (forudsat, beholderen ⑦ er tømt og papirfilterposen ⑭ er udskiftet), er det nødvendigt, at udskifte filterkassetterne ⑫.

Filterkassetterne ⑫ afrystes endnu en gang inden filterudskiftningen. Drej med en mønt eller lignende låseanordningen ⑤ på rigel ④ 90° mod uret, og tryk rigelen ④ tilbage. Luk klappen op og tag filterkassetter ⑫ ud opad.

De udtagne filterkassetter skal straks lukkes ned i en støvtæt kunststofpose og bortskaffes efter gældende bestemmelser. Isæt ny filterkassetter. Luk klappen og tryk den til.

Skulle Motorbeskyttelsesfilter ⑬ være snavset, tyder dette på en defekt filterkassette. Udskift filterkassetterne. Vask motorbeskyttelsesfilteret ud under rindende vand, lad det tørre og monter det igen.

SELVHJÆLP VED FORSTYRRELSER

Forstyrrelse:	Mulig årsag	afhjælpning
Fald i sugedydelsen	Filteret er tilsmudset Papirfilter fuld Beholder fuld Dyse, rør eller slange forstoppet	Rengør. Udskift. Tøm. Rengør.
Trykplade starter ikke.	Sidder stikket i stikdåsen ? Er nettet spændingsløst ? Er netledningen i orden ? Er apparatets afdækning rigtigt lukket ? Vandsensoren har afbrudt ?	
Plastikudtømmningspose Suges der på filteret.		Stil drejeskyder på pos. ●
Ved isat papirfilterpose Støv i beholderen ved M- eller H-sugere		Drejeskyder på pos. ▲

Foretag ingen yderligere >indgreb<, men henvend dig til et SPIT kundeserviceværksted.



Gamle apparater indeholder værdifulde materialer der er egnet til genbrug. Bortskaf ikke apparatet via det normale husholdningsaffald, men fagmæssigt korrekt via egnede samlesystemer.

TEKNISKE DATA

Nominell effekt	1400	W
Maks. effekt	1600	W
Spenning	110 / 220	V~
Gjeldende	6,5	A
Frekvens	50 / 60	Hz
Luftstrøm på viften	64	l / s
Undertrykk på viften	259	hPa
Masse (L x H x B)	400 x 540 x 400	mm
Stikkledning	8	m
Stikkledning på apparater med stikkontakt	H07RN-F 3G1,5	
Lydtrykk	70,0	dB(A)

Gehrschutz bjørn!



Kontroller og tillatelser for M og H sugere

Elektrotekniske kontroller skal gjennomføres etter forskriftene til forskriften for forebygging av ulykker (BGV A3) og etter DIN VDE 0701 del 1 og del 3. Disse kontrollene kreves ifølge DIN VDE 0702 i regelmessige avstander og etter reparasjon eller endring.

Minst en gang per år skal produsenten eller en utdannet person gjennomføre en støvteknisk kontroll, f.eks. filterskade, apparatets tetthet, kontrollinnretningenes funksjon.

CE - Registrering uttalelse

Vi erklærer at dette produktet er produsert i samsvar med følgende EØS-direktiver og retningsgivende normer: lavspenningsdirektiv 73/23/EØS med endringer, EMC-direktiv 89/336/EØS med endringer.

Sugere er velykket kontrollert IEC/EN 60335-2-69.

Paul van Beek
Administrerende direktør

Ruben Bernaert
Product Manager

ITW Heger
Industriepark
Cardijnlaan 3
B-8600 Diksmuide
Belgien

FØR BRUK

Vær oppmerksom på fullstendighet og transportskader ved utpakking. Les oppmerksomt gjennom alle informasjoner. De gir viktige henvisninger for bruk, sikkerhet, vedlikehold og pleie. Oppbevar bruksanvisningen godt og gi denne videre til eventuelle ettereiere. Vi forbeholder oss retten til konstruksjons- og utrustningsendringer.

BRUKSOMRÅDER

For våt- og tørrsuging.

Støvsugere i støvklasse M er egnet for oppsuging av tørt støv som ikke brenner, væsker som ikke brenner, trestøv og farlig støv med AGW's $\geq 0,1 \text{ mg/m}^3$.

Støvsugere i støvklasse H er egnet for oppsuging av tørt støv som ikke brenner, kreftfremkallende og sykdomsfremmede partikler, væsker som ikke brenner, trestøv og farlig støv med AGW's $< 0,1 \text{ mg/m}^3$.

IGANGSETTING

Med bryter ②a i overdelen ① slå på/av apparatet (eller kople til automatikkdrift).

Betjeningsfelt

Alt etter utrustning kan følgende funksjoner og innstillinger velges.

0 = suger >av<

I = suger >på<

A = beredskapsdrift for inn-/utkoplingsautomatikk.

(Sugeren slås på og av gjennom elektroverktøy)

AC = Beredskapsdrift som „A“ pluss automatisk filterrengjøring.

filterrengjøringsfunksjon; i denne bryterstillingen settes vibratoren i drift i ca. 10 sek. og slås deretter av automatisk.

Stikkkontakten ②b er for tilkobling av en elektrisk verktøy som følger med.

OBS! Elektroverktøy må være slått av ved forbindelse. Stikkkontakten er alltid under spenning ved innstukket nettplugg, uavhengig av bryterstillingen. I bryterstilling „0“, kan stikkkontakten brukes som forlengelsesledning slik (for f.eks. lamper).

Forbindelsesverdi: Suger og forbundet apparat maks. 16 A.

Med turtallsplaten ②d kan sugelytelsen tilpasses trinnløst.

Forhåndsvalg Bryter ②d for minstevolumsignal (horn og lys) hos sugere i klasse „M“ og „H“. I modus „A“ eller „AC“ gjennomføres følgende innstillinger, avhengig av slangediameter:

Slangens innvendige diameter	Bryterstilling
Ø 35 mm	70 m ³ /h
Ø 27 mm	40 m ³ /h
Ø 21 mm	20 m ³ /h

Det skjer ingen turtallsregulering. Sugeren kjører alltid med maks. turtall
Oppsugningsåpningene til elektroverktøyene er ennå ikke normert. Derfor er adapter (gummidyse eller gummimuffe) tilgjengelig, som kan tilpasses ved forkortning på det gjeldende elektroverktøyet.

ARBEIDE (VÅT- OG TØRRSUGING)

Ved bruk av griperøret kan sugeseffekten tilpasses med tilleggsluftskyveren.

Tørrsuging

Sug kun med tørt filter, apparat og tilbehør slik at ikke støv henges fast og stivner. Hvis det suges opp sot, sement, gips, mel eller lignende støv anbefaler vi å bruke en papirfilter-pose. Papirfilterposer må alltid settes inn i forbindelse med filterkassetter.

Våtsuging

Sug uten papirfilterpose. Filterkassetter er egnet for våt-suging. Den innebygde sensoren slår av motoren når beholderen er full. Tøm apparatet som beskrevet under >Beholdertømming<. Hvis apparatet ikke slås av er gjenstartbeskyttelsen fortsatt virksom. Først etter utkopling og ny start er apparatet driftsklart igjen.

- Før tømming må først sugeslangen tas ut fra væsken.
- Gjennom høy sugeseffekt og strømningsgunstig beholderform kan det renne ut litt vann fra slangen etter utkoplingen.
- Ved etterfølgende tørrsuging må tørre filter settes inn. Ved hyppig skifte mellom tørr- og våtsuging anbefaler vi å bruke enda et filtersett, helst polyesterfilterkassetter. ta først, før tømming av sugeslangen fra væsken

Filterrengjøring

Sugerne er utrustet med en elektromagnetisk filterrengjøring, hvor fastsittende støv kan ristes av foldefilterpatronene.

Manuell rengjøring

Senest når volumstrømgivelsen ②c (varsellampe) lyser opp eller en hører varseltonen eller ved redusert sugelytelse bør vibrasjonen (bryterstilling AC/bryter ②a) betjenes.

Automatisk rengjøring (risteautomatikk)

Denne filterrengjøringen skjer automatisk når innstilt minstevolumstrøm er oppnådd i neste arbeidspause (bryterstilling AC/bryter ②a).

Beholdertømming

Kun tillatt for støv med AGW's > 1mg/m³.

Slå av ②a, trekk ut pluggen ⑥, åpne låsene ⑨. Ta overdelen ① og sugeslangen fra beholderen ⑦. Tøm beholderen.

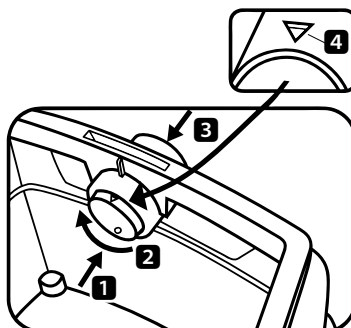
Papirfilterpose

Ved innsetting eller uttak av filterposen/tømmeposen må overdelen ① tas av. Åpne da låsene ⑨ på sidene. Bruk papirfilterposer kun il tørrsuging.

Sette inn papirfilterposen

- 25 liter beholder
Skyv flensen over sugeåpningen.
- 25 l spesialbeholder ved AC 1625 M får kun brukes med papirfilterposer, hvis støv med eksposisjonsgrenseverdier (AGW's) > 0,1mg/m³ suges opp.

Dreieskyverer stilles i sugeåpningen med markeringen ▲ ④ pekende oppover, flensen må skyves over sugeåpningen.



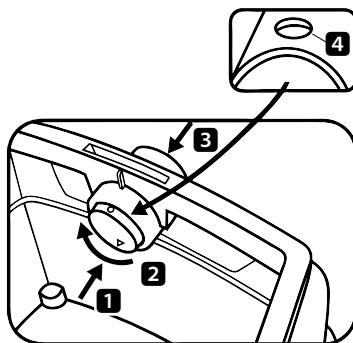
Skifte ut papirfilterposen

Trekk flensen forsiktig av sugestussen og lukk flensen.
Slå på motoren før du setter den fra deg, slik at evt. svevende støv kan suges inn.
Godset må fjernes iht. de gyldige bestemmelsene.

Plastikkømmepose

Kun M-støvsugere med spesialbeholder og dreieskyver i sugeåpningen, av typen AC 1625 M, er egnet for bruk med plastikkømmeposer.

Sett dreieskyveren i sugeåpningen med den runde markeringen ● 4 pekende oppover.



Betjening av dreieskyveren:

Trykk dreieskyveren ut innenfra 1, dreii 180° 2 (se markering 4) og trykk inn den gjennom sugestussene utenfra 3.

Skyv flensen over sugestussene, legg øvre poseåpning over beholderkanten.

Skifte av plastikkømmeposen

Fjern sugeslangen, lukk sugeåpningen 8 med stuss (pos. 8a). Ta av overdelen 1.
Slå på motoren før den settes ned. Lukk tømmeposen med låsebånd.
Trekk flensen forsiktig foran sugestussene og lukk tett.
Kast oppsugd gods etter de lovmessige bestemmelsene.

RENGJØRING

Rengjør beholder og tilbehør med vann.
Tørk av overdelen 1 med et fuktig tørkle.
La beholderen og tilbehøret tørke.
Filterinnsatser kan ikke rengjøres med trykkluft!



VEDLIKEHOLD

Hvis sugerens sugelytelse reduseres, og hvis sugelytelsen ikke økes etter rengjøring av filterkassetten (12) forutsatt at beholder (7) er tømt og papirfilterpose (14) er skiftet ut), er det nødvendig å skifte ut filterkassetter (12).

Rist ut filterkassetten (12) før filterskifte. Med en mynt eller lignende gjenstand dreies låsen (5) på slåen (4) 90° mot klokken, og slåen (4) trykkes bakover. Klaff opp hetten og ta ut filterpatronen (12) oppover. Filterkassetten som tas ut må lukkes inne i en støvtett kunststoffpose øyeblikkelig, og fjernes iht. bestemmelsene.

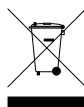
Sett inn nye filterkassetter. Klaff ned hetten og lås fast gjennom lett trykk.

Hvis motorvernefilteret (13) er tilskitnet henviser dette om en defekt filterkasset. Skift vennligst ut filterkassetten. Motorverne-filteret vaskes under rennende vann, tørkes og settes inn igjen.

SELVHJELP VED FEIL

Feil	Mulig årsak	Fjerning
Redusering av sugelytelsen	Filter tilskitnet Papirfilter fullt Beholder full Dyse, rør eller slange tilstoppet	rengjør skift tøm rengjør
Apparatet starter ikke	Plugg i stikkontakten? Nettet spenningsløst? Nettledning i orden? Apparathette riktig lukket? Vannsensor utkoplest?	
Plastikkømmepose suges til filterne		Sett dreieskyver i pos. ●.
Ved innsatt Papir filterpose Støv i beholder ved M- eller H- støv-sugere		Sett dreieskyver i pos. ▲.

Ikke foreta ytterligere >inngrep<, men henvend deg til kundetjenesteverkstedet.



Gamle maskiner inneholder verdifulle materialer som er egnet for repressering er. Ikke den vanlige Hausmüllbeifügen, men om hensiktsmessige Samling avhendes på riktig måte, for eksempel gjennom fellesskapet returpunkt.

TEKNISET TIEDOT

nimellisteho	1400	wattia
maks. teho	1600	wattia
jännite	110 / 220	V~
Nykyinen	6,5	A
taajuus	50 / 60	Hz
ilmavirta*	64	m ³ /h/MG
alipaine*	260	hPa/MG
Mitat (L x H x B)	550 x 550 x 400	mm
Kaapeli	6	m
Sähköjohto pistorasialla varustetuissa imu-reissa:	H07RR-F 3G1,5	
äänipaine	69,0	dB(A)

Käytä kuulosuojaimia !

Tarkastukset

Sähkötekniset tarkastukset on suoritettava turvallisuusmääräyksen BGV A3 ja normin DIN VDE 0701 osien 1 ja 3 mukaisesti. Kyseiset tarkastukset ovat normin DIN VDE 0702 mukaan välttämättömiä säännöllisin väliajoin ja kunnossapidon tai muutoksen tekemisen jälkeen.

Valmistajan tai koulutuksen saaneen henkilön on suoritettava vähintään kerran vuodessa pölyyn liittyvä tarkastus, jolloin tarkastetaan esim. suodattimen vauriottomuus, imurin tiiviys ja säädinten toimivuus.

CE-Rekisteröinti lausunto

Vakuutamme kantaan yksin kaiken vastuun, että tämä tuote vastaa seuraavien EY-direktiivien ja asiaankuuluvien normien vaatimuksia: konedirektiivi 2006/42/EY muutoksineen, EMC-direktiivi 2004/108/EY muutoksineen.

Imurit on tarkastettu ja hyväksytty normin IEC/EN 60335-2-69 mukaisesti.

Paul van Beek
General Manager

Ruben Bernaert
Product Manager

ITW Heger
Industriepark
Cardijnlaan 3
B-8600 Diksmuide
Belgien



ENNEN KÄYTTÖÄ

Laitteen osien täysilukuisuus sekä laitteen ehjyys tulee tarkastaa pakkausmateriaalin poistamisen yhteydessä.

Imurin käyttäjille on annettava riittävästi ohjeita ja opastusta imurin käyttöön ja tietoja aineista, joita sillä aiotaan imeä, mukaan lukien tietoja imettyjen aineiden hävittämisestä, ennen laitteen käyttöä.

KÄYTTÖTARKOITUS

Märkä- ja kuivaimurointiin.

Pölyluokan M imurit soveltuvat kuivan ja syttymättömän pölyn, palamattomien nesteiden, puupölyn ja vaarallisen pölyn imurointiin, jossa altistusraja-arvo (AGW) $\geq 0,1 \text{ mg/m}^3$.

Pölyluokan H imurit soveltuvat kuivan ja syttymättömän pölyn, syöpää aiheuttavien ja sairauksia synnyttävien hiukkasten sekä palamattomien nesteiden, puupölyn ja terveydelle vaarallisten pölyjen imurointiin, joissa altistusraja- arvo (AGW) $< 0,1 \text{ mg/m}^3$.

KÄYTTÖÖNOTTO

Laite käynnistetään/sammutetaan yläosassa ① olevalla kytkimellä ②a (tai käynnistetään automaattikäyttöön – katsokohtaa).

Käyttökenttä

Laitteesta voidaan valita, varustelusta riippuen, seuraavat toiminnot ja säädöt.

0 = imuri >pois päältä<

I = imuri >päälle<

A = valmiuskäyttö käynnistys-/sammutusautomaatiikkaavarten. (Imuri käynnistyy ja sammuu sähkötyökalulla)

AC = valmiuskäyttö kuten "A" plus automaattinen suodatinpuhdistus.

Pistorasia ②b on tarkoitettu sähkötyökalun liittämiseen.

Huomio! Sähkötyökalu ei saa olla käynnissä liittämisen aikana. Pistorasia on aina jännitteinen, kun verkkopistoke on liitetty, kytkinasennosta riippumatta.

Kytkinasennossa „O” pistorasiaa voidaan siten käyttää jatkojohdolle (esim. valaisinta varten). Liitäntäarvo: Imuri ja siihen liitetty laite maks. 16 A.

Imutehoa voidaan säätää portaattomasti kierroslukusäätimellä ②d. Esivalintakytkin 2d vähimmäistilavuusvirran signaalia varten (äänimerkki ja valo) luokan "M" ja "H" imureissa. „A" tai „AC"-kytkentämuodossa suoritetaan letkuhalkaisijasta riippuen seuraava säätö: Kierrosluvun säätöä ei tapahdu. Imuri toimii aina maks. kierrosluvulla.

Letkun sisäläpimitta	Kytkimen asento
Ø 35 mm	70 m³/h
Ø 27 mm	40 m³/h
Ø 21 mm	20 m³/h

Sähkötyökalujen imuaukot eivät ole vielä normitettuja. Sen vuoksi on saatavana adapteri (kumisuuutin tai kumimuhvi), joka voidaan sovitaa sähkötyökaluun lyhentämällä.

Työt

Imutehoa voidaan käsiputkea käytettäessä säätää sivuilmauistilla.

Kuivaimurointi.

Imuroi vain, kun suodatin, laite ja lisävarusteet ovat kuivia, jottei pöly tarttuisi kiinni ja muodostaisi kuorettomia. Jos imuroit nokea, sementtiä, kipsiä, jauhoa tai muita samankaltaisia pölyjä, suosittelemme paperisuodatinpussin käyttöä. Käytä paperisuodatinpussia aina suodatinkaseti kanssa.

Märkäimurointi.

Älä käytä paperisuodatinpussia. Suodatinkasetit soveltuvat märkäimurointiin. Sisäänrakennettu tunnistin sammuttaa moottorin säiliön täytyessä. Tyhjennä laite kohdassa >Säiliön puhdistus< esitetyllä tavalla. Jos laitetta ei sammuteta, toimii uudelleenkäynnistysuoja edelleenkin. Laite on käyttövalmis vasta sammuttamisen ja uudelleenkäynnistuksen jälkeen.

- Poista imuletku nesteestä ennen tyhjennystä.
- Sammuttamisen jälkeen vettä voi valua letkusta hieman korkean imutehon ja virtaviivaisen säiliömuodon vuoksi.
- Jos aiot sen jälkeen imuroida kuivaa roskaa, käytä kuivia suodattimia. Jos vuorotellet usein kuiva- ja märkäimuroinnin välillä, suosittelemme toisen suodatinerän, ensisijaisesti polyesteri-suodatinkasettien käyttöä..



Suodattimen puhdistus

Imurit on varustettu sähkömagneettisella suodatinpuhdistustoiminnolla, joka ravistaa kiinnitarttuneen pölyn poimusuodatinpatruunoista. Se takaa poimusuodattimien optimaalisen käytön ja pidentää työjaksoja.

Käsin suoritettava puhdistus

Tärytys (kytkinasento A tai AC/kytkin ②a) tulisi suorittaa viimeistään silloin, kun tilavuusvirtanäyttö ②c (merkkivalo) syttyy tai kuuluu varoittava ääni tai imuteho heikkenee

Automaattinen puhdistus (tärytysautomaatiikka).

Suodattimen puhdistus tapahtuu automaattisesti.
(kytkinasento AC / kytkin ②a)

Säiliön puhdistus

Sallittu vain pölyissä, joiden altistusrajaarvo (AGW) > 1mg/m³.

Sammuta laite kytkimellä ②a, vedä pistoke ⑥ irti, avaa sulkimet ⑨. Irrota yläosa ① ja imuletku säiliöstä ⑦. Kaada roskat säiliöstä.

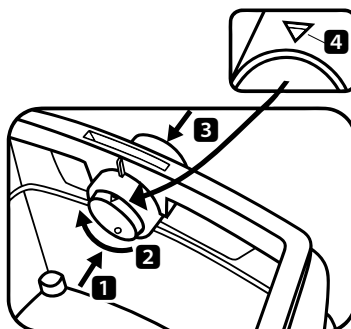
Paperisuodatinpussi

Irrota yläosa ① suodatinpussin/tyhjennuspussin sisään asettamiseksi tai poistamiseksi. Avaa sivuilla olevat sulkimet ⑨. Käytä paperisuodatinpussia vain kuivaimurointiin..

Paperisuodatinpussin sisään asettaminen

- 25 litran säiliö
Työnnä laippa imuaukon päälle.
- AC 1625 M laitteita saa käyttää vain paperi-silla suodatinpusseilla, jos imetään pölyä, jonka altistus-raja-arvot (AGW) ovat > 0,1mg/m³.

Käännä imuaukossa sijaitsevan kiertotyöntimen ④ merkki ▲ yläasentoon. Työnnä laippa imuaukon päälle.



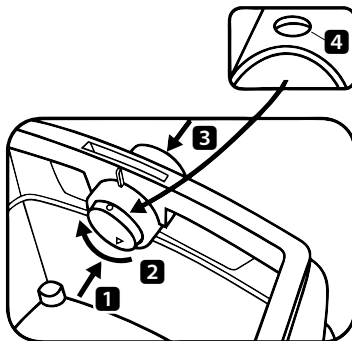
Paperisuodatinpussin vaihto.

Vedä laippa varovasti imuliittimestä ja sulje laippa. Käynnistä moottori, jotta mahdollisesti ilmassa leijuva pöly voidaan imuroida. Hävitä imuroitu pöly määräysten mukaisesti.

Muovinen tyhjennuspussi

Muovisia tyhjennuspusseja voidaan käyttää vain erikoissäiliöllä varustetuissa M--imureissa, joissa tyyppien AC 1625 M imuaukossa on kiertotyöntin.

Käännä imuaukossa sijaitsevan kiertotyöntimen pyöreä merkki ④ ● yläasentoon.



Kiertotyöntimen käyttö:

Paina työntintä sisältäpäin ulos ①, kierrä 180° ② (katso merkintää ④) ja paina jälleen ulkoapäin imuistukan läpi sisään ③.

Työnnä laippa imuistukan päälle, aseta pussin yläaukko säiliön reunan päälle.

FIN

Muovisen tyhjennuspussin vaihto

Irrota imuletku, sulje imuaukko ⑧ tulpalla ⑧a. Irrota yläosa. Käynnistä moottori ennen sivuun laskemista, jotta ilmassa leijuva pöly voidaan imuroida.

Sulje tyhjennuspussi sulkunauhalla. Vedä laippa varovasti imuaukosta ja sulje tiiviisti. Jätehuolla roskat lainmääräysten mukaisesti

PUHDISTUS

Puhdista säiliö ja lisävarusteet vedellä. Pyyhi yläosa ① kostealla liinalla. Anna säiliön ja lisävarusteiden kuivua.

WARTUNG

Jos imurin imuteho heikkenee ja suodatinkasettien ⑫ puhdistus ei kohota imutehoa enää (edellyttäen, että säiliö ⑦ on tyhjennetty ja paperisuodatinpussi ⑭ vaihdettu), on vaihdettava suodatinkasetit ⑫.

Tärytä suodatinkasetteja ⑫ ennen suodattimen vaihtoa vielä kerran. Käännä salvassa ④ olevaa suljinta ⑤ kolikolla tai samankaltaisella esineellä 90° vastapäivään ja paina salpaa ④ taakse. Avaa kansi ja irrota suodatinkasetti ⑫ ylöspäin nostamalla.

Pakkaa poistetut suodatinkasetit heti pölytiiviseen muovipussiin, sulje pussi ja hävitä määräysten mukaisesti. Aseta uudet suodatinkasetit paikoilleen. Käännä kansi alas ja lukitse kevyesti painaen..

Jos moottorinsuojasuodatin ⑬ on likaantunut, on se merkki suodatinkasettien vioittumisesta. Vaihda suodatinkasetit. Pese moottorinsuojasuodatin juoksevan veden alla, kuivaa ja aseta takaisin paikalleen.

OMATOIMINEN HÄIRIÖIDEN POISTAMINEN

Häiriö	Mahdollinen syy	Poistotoimenpide
Imuteho on heikentynyt.	Suodatin on likainen. Paperisuodatin on täysi. Säiliö on täysi. Suutin, putki tai letku on tukkeutunut.	Puhdista. Vaihda. Tyhjennä. Puhdista
Imuri ei käynnisty.	Onko pistoke kytketty pistorasiaan? Onko sähköverkossa jännitettä? Onko sähköjohto kunnossa? Onko kansi kunnolla kiinni? Onko vesianturi sammutettu? Onko imuri valmiustilassa AR?	Aseta kytkin asentoon I tai A
Järjestelmä imee PE-tyhjennys- ja hävityspussia suodattimeen.	Sulkimen asento on väärä.	Vie suljin asentoon 4●
Luokkien M ja H imurit: säiliössä on pölyä paperisuodattimen ollessa paikoillaan.	Sulkimen asento on väärä.	Vie suljin asentoon 4▲

Älä suorita muita toimenpiteitä, vaan ota yhteyttä asiakaspalveluun.



Käytöstä poistetut laitteet sisältävät arvokkaita, kierrätykseen soveltuvia materiaaleja. Laitetta ei saa heittää tavalliseen jättesankoon, vaan se on toimitettava vastaavien laitteiden keräyspisteeseen..

MŰSZAKI ADATOK

Névleges teljesítmény	1400	W
Max. teljesítmény	1600	W
Feszültség	110 / 220	V~
Jelenlegi	6,5	A
Frekvencia	50 / 60	Hz
Légáram*	64	m ³ /óra/ MG
Vákuum*	260	hPa/MG
Méreték (L x H x B)	550 x 550 x 400	mm
Kábel	6	m
A dugaszolóaljzatos porszívózásnál a csatlakozási teljesítmény:	H07RR-F 3G1,5	
Zajszint	69,0	dB(A)

Viseljen hallásvédő !

Vizsgálatok

lektrotechnikai vizsgálatok a baleset megelőzési előírások szerint (BGV A3) és a DIN VDE 0701 1. és 3. részek szerint történtek. Ezeket a vizsgálatokat a DIN VDE 0702 szerint rendszeresen meg kell ismételni, és üzembe helyezés, vagy módosítás után újból el kell végezni.

Évente legalább egyszer a gyártónak, vagy erre kiképzett személynek portechnikai felülvizsgálatot kell végezni, pl. ellenőrizni kell a szűrők sértetlenségét, a porszívó tömítettségét, az ellenőrző készülékek működését.

CE-Regisztrációs nyilatkozat

Kizárólagos felelősséget vállalunk arra, hogy ez a termék az EK irányelveknek és a vonatkozó szabványoknak megfelel: Gépekre vonatkozó irányelv, 2006/42/EK a módosításokkal, EMV-irányelv 2004/108/EK a módosításokkal.

A porszívó ellenőrzése sikeresen megtörtént az IEC/EN 60335-2-69 szabvány szerint..

Paul van Beek
General Manager

Ruben Bernaert
Product Manager

ITW Heger
Industriepark
Cardijnlaan 3
B-8600 Diksmuide
Belgien



A HASZNÁLAT ELŐTT

A kicsomagolásakor figyeljen a teljességre és a szállítási károkra.

A használat előtt a kezelőt el kell látni azokkal az információkkal, útmutatásokkal és oktatással, ami a porszívó használatához, az anyagokkal kapcsolatban szükségesek, beleértve a felszivatott anyagokkal kapcsolatos bánásmódot is. .

ALKALMAZÁSI TERÜLETEK

Víz- és porszíváshoz.

Az M porosztályba tartozó víz- és porszívók száraz nem éghető porok, nem éghető folyadékok, faporok és veszélyes porok fel- és elszívására alkalmasak (AGW) $\geq 0,1 \text{ mg/m}^3$ munkahelyi határértékekkel.

A H porosztályba tartozó víz- és porszívók száraz nem éghető porok, rákkeltő és betegséget okozó részecskék, valamint nem éghető folyadékok, faporok és egészségre ártalmas porok fel- és elszívására alkalmasak (AGW) $< 0,1 \text{ mg/m}^3$ munkahelyi határértékekkel

ÜZEMBE HELYEZÉS

A készüléket a felsőrészen ① lévő ②a kapcsolóval kapcsoljuk be/ki (ill. automata üzemmódba kapcsoljuk)

Kezelőmező

A kivitelezéstől függően következő funkciók és beállítások lehetségesek.

0 = por- és vízszívó >KI<

I = por- és vízszívó >BE<

A = a be/kikapcsoló automatika készenléti üzemmódja (a porés vízszívót a villamos szerszám kapcsolja BE és KI)

AC = Készenléti üzem, mint „A” plus automatikus szűrőtisztítás.

A ②b dugaszoló aljzat villamos szerszám csatlakoztatásának célját szolgálja.

Figyelem! A villamos szerszám a csatlakoztatásnál legyen kikapcsolva. A dugaszoló aljzat bedugott csatlakozó dugó mellett a kapcsolóállástól függetlenül mindig feszültség alatt áll. Így „0” kapcsolóállásban a dugaszoló aljzat alkalmazható hosszabbító vezetéként (pl. lámpához).

Csatlakozási érték: Por- és vízszívó és csatlakoztatott készülék max. 16 A.

A fordulatszám állítóval 2d fokozatmentesen állítható a szívóteljesítmény.

Előválasztó-kapcsoló ②d minimális volumenjelhez (duda és lámpa) „M” és „H” osztályú por- és vízszívóknál.

„A” vagy „AC” üzemmódban a tömlő átmérőjétől függően következő beállítás történik: Nem történik fordulatszám-szabályozás.

A por- és vízszívó mindig max. fordulatszámon jár

:

Tömlő belső átmérő	Kapcsolóállás
Ø 35 mm	70 m ³ /h
Ø 27 mm	40 m ³ /h
Ø 21 mm	20 m ³ /h

A villamos szerszámok szívónyílásai még nincsenek szabványosítva.

Ezért rendelkezésre áll az adapter (gumifej – vagy gumi csőhüvely), ami rövidítéssel a mindenkor villamos szerszámhoz igazítható

Munkavégzés

A nyeles cső alkalmazása esetén a mellékvevő-szabályozó tolattyúval beállítható a szívóteljesítmény.

Porszívás

Csak száraz szűrővel, készülékkel és tartozékokkal végezzük a porszívást, hogy a por ne tudjon letapadni és elkérgesedni. Ha kormot, cementet, gipszet, lisztet vagy hasonló porokat

kell felszívni, javasoljuk papír szűrőtasak behelyezését. A papír szűrőtasakokat mindig szűrőpatronokkal együtt kell behelyezni.

Vízszívás

A vízszívás papír szűrőtasak nélkül történik. A szűrőkazetták vízszíváshoz alkalmazhatók.

A beépített szenzor megtelt tartály esetén kikapcsolja a motort. A készüléket a >A tartály ürítése< pontban leírtaknak megfelelően ki kell üríteni. Ha nem kapcsoljuk ki a készüléket, továbbra is hatékony marad az újraindítás elleni védelem. A készülék csak a kikapcsolás és az újbóli bekapcsolás után üzemkész

- Ürítés előtt először kivesszük a szívótömlőt a folyadékból.
- A magas szívóteljesítmény és az áramlásnak kedvező tartályforma miatt kikapcsolás után némi víz folyhat ki a tömlőből.
- Az ezt követő száraz porszívózás során száraz szűrőket kell betenni a készülékbe. A száraz és nedves porszívózás közötti gyakori csere esetén javasoljuk második szűrőkészlet – lehetőség szerint poliészter-szűrőkazetták – alkalmazását.



Szűrőtisztítás

A por- és vízszívók elektromágneses szűrőtisztítóval vannak felszerelve, melynek segítségével a redős szűrőkazetták lerázható a rátapadó por.

Manuális tisztítás

Legkésőbb a térfogatáram kijelző (②c – figyelmeztető lámpa) kigyulladását után, vagy a figyelmeztető hangjelzés megszólalása, illetve csökkenő szívóteljesítmény esetén működtetni kell a rezgetető szerkezetet (kapcsolóállás AC /kapcsoló ②a).

Automatikus tisztítás (rezgetető automatika).

Ez az automatikus szűrő tisztítás.
(kapcsolóállás AC/kapcsoló ②a.)

A tartály ürítése

Csak $> 1 \text{ mg/m}^3$ munkahelyi határértékkel rendelkező porok esetén megengedett (AGW).

Kikapcsoljuk ②a, kihúzzuk a dugót ⑥, kinyitjuk a becsappanó zárszerkezeteket ⑨. A felsőrészt ① és a szívótojámlót levesszük a tartályról ⑦. A tartályt kihajítjuk.

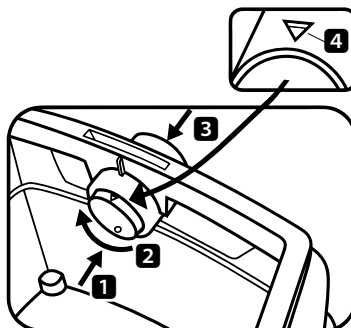
Papír szűrőtasak

A szűrőtasakok/űrítőtasakok behelyezéséhez ill. kivételéhez levesszük a felső részt ①. Ehhez kinyitjuk az oldalsó zárszerkezeteket ⑨. A papír szűrőtasakokat csak száraz porszíváshoz alkalmazzuk

A papír szűrőtasakok behelyezése

- 25 literes tartály
A karimát a szívónyílásra toljuk
- Az AC 1625 M csak akkor működtethető- papír szűrőtasakkal, ha $(AGW) > 0,1 \text{ mg/m}^3$ expozíciós határértékkel (munkahelyi határérték) rendelkező porokat kell felszívni

A szívónyílásban lévő forgó tolattyút a jelöléssel ④ ▲ felfelé állítjuk, a karimát a szívónyílás felé toljuk



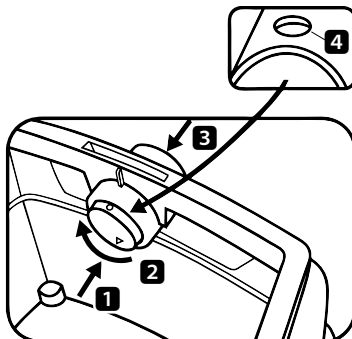
A papír szűrőtasak cseréje

A karimát óvatosan lehúzzuk a szívócsonkról, majd zárjuk a karimát. A motort a lerakás előtt bekapcsoljuk, hogy az esetleg leeső lebegő por felszívható legyen. A felszívott anyagot a törvényes rendelkezéseknek megfelelően kell ártalmatlanítani/ hulladékként elhelyezni

Műanyag - ürítőtásak

Csak az M- osztályba tartozó, AC 1625 M típusú, speciális tartállyal és a szívónyílásban forgótolattyyúval ellátott víz- és porszívók alkalmasak műanyag ürítőtásák alkalmazására.

A szívónyílásban lévő forgótolattyyút a kerek jelöléssel **4** ● felfelé állítjuk. A karimát a szívócsonkra toljuk, a felső tasaknyílást a tartályperemre fektetjük



A forgó tolattyú kezelése:

A forgó tolattyút belülről kifelé nyomjuk **1** 180 **2** fokkal elfordítjuk (lásd a jelölést **4**), majd kívülről a szívócsonkon keresztül megint befelé nyomjuk **3**.

A karimát a szívócsonkra toljuk, a felső tasaknyílást a tartályperemre fektetjük.

A műanyag ürítőtásak cseréje

A műanyag ürítőtásak cseréje Eltávolítjuk a szívótömlőt, a szívónyílást **8** dugóval **8**a lezárjuk. Levesszük a felsőrészt. A motort a lerakás előtt bekapcsoljuk, hogy az esetleg leeső lebegő por felszívható legyen. Az ürítőtásakat záró szalaggal lezárjuk. A karimát óvatosan lehúzzuk a szívócsonkról, majd szorosan zárjuk. A felszívott anyagokat a törvényes előírásoknak megfelelően ártalmatlanítjuk

TISZTÍTÁS

A tartályt és a tartozékokat vízzel tisztítjuk. A felsőrészt **1** nedves kendővel letöröljük.

A tartályt és a tartozékokat száradni hagyjuk.



KARBANTARTÁS

Ha a por- és vízszívó szívóteljesítménye csökken, és a szűrőkazetták ⑫ tisztítása sem növeli a szívóteljesítményt (feltéve, hogy a tartály ⑦ ki van ürítve és a papír szűrőtasak ⑭ ki van cserélve), kell kicserélni a szűrőkazettákat ⑫. A szűrőkazettákat ⑫ a szűrőcsere előtt még egyszer le kell rázni. Egy érmével vagy hasonló tárggyal a retesznél ④ lévő zárat ⑤ 90 fokkal az óramutató járásával ellentétes irányba elfordítjuk, majd a reteszt ④ hátranyomjuk. Felhajtjuk a burkot, majd felfelé kivesszük a szűrőpatronokat ⑫. A kivett szűrőkazettákat azonnal egy porzáró műanyag tasakba zárjuk és rendeltetésszerűen ártalmatlanítjuk / hulladékként elhelyezzük. Új szűrőkazettákat teszünk be. A burkot lehajtjuk, és enyhe nyomást gyakorolva rögzítjük.

A szennyeződött motorvédő szűrő ⑬ meghibásodott szűrőkazettára utal. Kérjük, a szűrőkazettákat cserélje ki. Folyó víz alatt mossa ki a motorvédő szűrőt, majd hagyja száradni, végül tegye vissza.

Tudnivaló A vízszint érzékelőket) rendszeresen tisztítsa meg, és vizsgálja meg, nincs-e rajtuk sérülés

MŰKÖDÉSI ZAVAROK SAJÁTKEZŰ ELHÁRÍTÁSA

Zavar	Lehetséges ok	Elhárítás
Csökken a szívóteljesítmény	A filter elkoszolódott Tele a papírszűrő Tele a tartály Eldugult a fűvóka, cső vagy a tömlő	Tisztítás. Csere. Ürítés. Tisztítás.
Nem indul be a porszívó	Bedugta a dugót az aljzatba? Van hálózati feszültség? A hálózati kábel rendben? Rendesen lezárta a fedelet? Kikapcsolt a víz érzékelő? A porszívó „AR” üzemműködés állapotban van?	Állítsa a kapcsolót „I” vagy „A” állásba
A PE ürítő és hulladékkezelő tasak rászívódik a szűrőre	Hibás a forgó tolóka helyzete	Állítsa a forgó tolokát a ④ ● helyzetbe
Az M vagy H osztályú porszívó: behelyezett papírszűrőnél por van a tartályban	Hibás a forgó tolóka helyzete	A forgó tolokát állítsa ④ ▲ állásba

Ne tegyen más beavatkozást, hanem hívja fel a vevőszolgálat szervizét..



A használt készülékek értékes anyagokat tartanak magukban, amelyek újrahasznosításra alkalmasak. A készüléket ne tegyék a háztartási szemétkosba, hanem megfelelő gyűjtőrendszerek igénybevételel szakszerűen ártalmatlanítsuk.

DANE TECHNICZNE

Napięcie znamionowe	1400	Watów
Maks. moc	1600	Watów
Napięcie	110 / 220	V~
Prąd	6,5	A
Częstotliwość	50 / 60	Herzów
Przepływ powietrza*	64	l / s
Podciśnienie*	260	hPa
Wymiary (L x H x B)	550 x 550 x 400	mm
Kabel	6	m
Przewód zasilający przy odkurzaniu z gniazdem:	H07RR-F 3G1,5	
poziom hałas	69,0	dB(A)

Nosić ochronniki słuchu !

Kontrole

Kontrole elektrotechniczne należy przeprowadzać zgodnie z przepisami dotyczącymi zapobieganiu wypadkom (BGV A3) i DIN VDE 0701 część 1 i część 3. Kontrole te są konieczne zgodnie z DIN VDE 0702 w regularnych odstępach oraz po wprowadzeniu zmian.

Co najmniej raz do roku producent lub przeszkolona osoba musi przeprowadzić kontrolę techniczną składającą się np. z kontroli filtra pod kątem uszkodzeń, szczelności powietrznej odkurzacza i prawidłowego działania urządzeń kontrolnych

CE-Oświadczenie Rejestracja

Oświadczamy na własną odpowiedzialność, że produkt ten jest zgodny z dyrektywami WE oraz właściwymi normami: Dyrektywa maszynowa 2006/42/WE ze zmianami, Dyrektywa o kompatybilności elektromagnetycznej 2004/108/WE ze zmianami.

Odkurzacze są skutecznie sprawdzone zgodnie z IEC/EN 60335-2-69

Paul van Beek
General Manager

Ruben Bernaert
Product Manager

ITW Heger
Industriepark
Cardijnlaan 3
B-8600 Diksmuide
Belgien

PL

PRZED UŻYCIEM

Przy rozpakowywaniu zwrócić uwagę na kompletność i szkody transportowe. Przed użyciem użytkownicy powinni otrzymać informacje, wskazówki i szkolenie dotyczące użycia odkurzacza i substancji, do których ma być użyty, włącznie z bezpieczną procedurą usunięcia wciągniętych materiałów.

PRZEZNACZENIE

Do odkurzania na mokro i na sucho.

Odkurzacze klasy M są przeznaczone do odkurzania / odsysania suchych i niepalnych pyłów, cieczy, niepalnych cieczy, pyłów drewna i pyłów niebezpiecznych o wartości o wartości AGW $\geq 0,1 \text{ mg/m}^3$.

Odkurzacze klasy H są przeznaczone do odkurzania / odsysania suchych i niepalnych pyłów, pyłów kancerogennych i chorobotwórczych, oraz cieczy niepalnych, pyłów drewna i pyłów niebezpiecznych dla zdrowia o wartości AGW $< 0,1 \text{ mg/m}^3$.

URUCHOMIENIE

Łącznik aa w górnej części ②a urządzenia służy ① dowłączania i wyłączenia (lub do przełączenia na tryb automatyczny

Panel sterowania

Zależnie od wyposażenia dostępne są następujące ustawienia.

- 0 = odkurzacz >WYŁ
- I = odkurzacz >ZAŁ<
- A = tryb gotowości dla automatycznego włączania i wyłączenia (odkurzacz jest włączany i wyłączany przez elektryczne narzędzie, z którym współpracuje)
- AC = tryb czuwania jak w „A” plus automatyczne czyszczenie filtra.

Gniazdko wtykowe ②b jest przeznaczone do podłączenia narzędzia elektrycznego.

Uwaga! W chwili podłączania elektryczne narzędzie musi być wyłączone. Gniazdko wtykowe z włożoną wtyczką jest zawsze pod napięciem – niezależnie od położenia łącznika. W położeniu łącznika „0” można zatem wykorzystać to gniazdko wtykowe jako przewód przedłużacza (np. do podłączenia lampy). Wartość przyłączeniowa: odkurzacz i podłączone urządzenie maksymalnie 16 A.

Regulator obrotów ②d służy do bezstopniowej regulacji mocy ssania. Preselektor ②d do sygnalizowania minimalnego strumienia objętości (brzęczyk i lampka) w odkurzaczach w wykonaniu „M” i „H”.

W trybie pracy „A” lub „AC” w zależności od średnicy węża wykonuje się następujące nastawy: Bez regulacji prędkości obrotowej. Odkurzacz pracuje zawsze z maksymalną prędkością obrotową.

Wewnętrzna średnica węża	Ustawienie przełącznika
Ø 35 mm	70 m³/h
Ø 27 mm	40 m³/h
Ø 21 mm	20 m³/h

Otwory do odsysania w narzędziach elektrycznych nie są jeszcze znormalizowane. Z tego powodu załączamy do dostawy odpowiedni adapter (gumowa dysza lub gumowa mufa), który przez skrócenie można dopasować do danego narzędzia elektrycznego.

Praca

Przy stosowaniu rury do dodatkowej regulacji mocy ssania można wykorzystać suwakowy regulator.

Odkurzanie na sucho

Podczas odkurzania na sucho filtr, urządzenie i wyposażenie muszą być suche, aby pył nie przywierał i nie tworzył twardniejących osadów. Do odkurzania sadzy, cementu, gipsu, mąki, lub temu podobnych materiałów, zalecamy stosowanie papierowego worka.

Papierowy worek stosować zawsze w połączeniu z wkładami filtrów.

Odkurzanie na mokro

Odkurzając bez papierowego worka. Do odkurzania na mokro przeznaczone są kasetki filtrujące.

Po zapelnieniu pojemnika zabudowany czujnik wyłącza automatycznie silnik odkurzacza. Urządzenie opróżnić, jak opisano w punkcie > Opróżnianie pojemnika<. Po automatycznym wyłączeniu silnika blokada ponownego rozruchu pozostaje aktywna do chwili wyłączenia odkurzacza. Dopiero po wyłączeniu i ponownym włączeniu odkurzacz jest gotowy do dalszej pracy.

- Przed opróżnieniem pojemnika wyjąć wąż ssący z cieczy.
- Z powodu dużej mocy ssącej i opływowego kształtu pojemnika, po wyłączeniu może spłynąć z powrotem z węża trochę wody.
- Jeżeli bezpośrednio po odkurzaniu na mokro planuje się odkurzanie na sucho, należy włożyć suche filtry. Przy częstym zmienianiu pomiędzy odkurzaniem na sucho i na mokro, zalecamy stosowanie drugiego zestawu filtrów, w szczególności w postaci poliestrowych kasetek filtra-cyjnych

Oczyszczanie filtra

Odkurzacze są wyposażone w elektromagnetyczny system oczyszczania filtra. Przy jego pomocy można oczyścić wibracyjnie pył przywierający do składanych wkładów filtracyjnych.

Czyszczenie manualne.

Najpóźniej po zaświeceniu wskaźnika strumienia objętości ac (lampka ostrzegawcza) lub po usłyszeniu sygnału ostrzegawczego lub też przy spadku mocy ssania należy uruchomić wibrator.

Czyszczenie automatyczne (automatyczne włączanie wibratora).

To czyszczenie filtra następuje automatycznie.
(Przełącznik 2a) w pozycji AC)

Opróżnianie pojemnika

Dopuszczalne tylko dla pyłów o wartości AGW > 1 mg/m³.
Wyłączyć ②a, wyciągnąć wtyczkę ⑥, otworzyć zatrzaski ⑨. Część górną ① wraz z węzłem ssącym zdjąć z pojemnika ⑦. Pojemnik opróżnić.

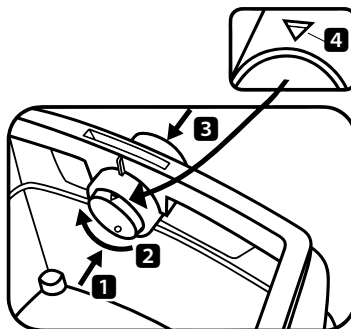
Papierowy worek.

Aby włożyć lub wyjąć worek papierowy / opróżniany, zdjąć część górną ①.
W tym celu otworzyć boczne zamknięcia ⑨.
Worki papierowe stosować tylko do odkurzania na sucho.

Wkładanie papierowego worka

- pojemnik 25l Kolnierz nasunąć na otwór ssący
- AC 1625 M wolno stosować w połączeniu z papierowymi workami, tylko przy odkurzaniu pyłów o granicznej wartości ekspozycji > 0,1mg/m³.

Obrotowy suwak ustawić w otworze ssania znakiem ④ ▲ ku górze, kolnierz nasunąć na otwór ssący.



Wymiana worków papierowych.

Kołnierz ściągnąć ostrożnie z króćca ssącego i zamknąć.

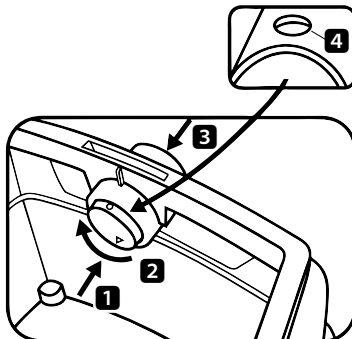
Silnik przed odstawieniem włączyć, aby móc ewentualnie wessać unoszący się lotny pył

Wessany pył usunąć zgodnie z obowiązującymi przepisami.

Plastikowy worek do opróżniania.

Plastikowe opróżniane worki nadają się tylko do stosowania w odkurzaczach M i H ze specjalnym pojemnikiem i obrotowym suwakiem w otworze ssącym, typu AC 1625 M.

Obrotowy suwak w otworze ssącym ustawić okrągłym znakiem 4 ● do góry..



Obsługa obrotowego suwaka:

Suwak obrotowy wcisnąć od wewnątrz na zewnątrz 1, obrócić o 180° 2 (patrz znak 4) i od zewnątrz ponownie wcisnąć przez króciec ssący do wewnątrz 3.

Kołnierz naciągnąć na króciec ssący, górny otwór worka położyć na krawędzi pojemnika.

Wymiana plastikowego worka do opróżniania

Wymiana plastikowego worka do opróżniania. Zdjąć wąż ssący, otwór ssący ⑧ zamknąć korkiem ⑧a. Zdjąć górną część. Przed odstawieniem silnik na krótko włączyć, aby móc wessać unoszący się ewentualnie lotny pył. Opróżniany worek zamknąć obwiązując taśmą. Kołnierz ściągnąć ostrożnie z otworu ssącego i szczelnie zamknąć. Zawartość worka usunąć zgodnie z obowiązującymi przepisami.

CZYSZCZENIE

Pojemnik i wyposażenie czyścić wodą. Górną część odkurzacza ① przetrzeć wilgotną szmatką.

Pojemnik i wyposażenie wysuszyć

KONSERWACJA

Jeżeli moc ssąca odkurzacza maleje i nie zwiększa jej nawet czyszczenie kasetek filtrujących ⑫ (przy założeniu, że pojemnik ⑦ został opróżniony a papierowy worek ⑭ jest wy-mieniony), konieczna jest wymiana kasetek filtrujących ⑫.

Kasetki filtrujące ⑫ przed wymianą filtra raz jeszcze oczyść wibracyjne. Posługując się monetą lub podobnym przedmiotem przekręć o 90 w kierunku przeciwnym do kierunku ruchu zegara zamek ⑤ przy ryglu ④ i wcisnąc ④ do tyłu. Unieś pokrywę i wyjąć w górę wkłady filtra ⑫.

Wyjęte kasety filtracyjne natychmiast zamknąć w pyłoszczelnym worku ze sztucznego tworzywa i usunąć zgodnie z przeznaczeniem. Osadzić nowe kasetki filtrujące. Pokrywę opuścić w dół i zatrzasknąć lekko dociskając.

Zanieczyszczenie filtra ochronnego silnika ⑬ wskazuje na uszkodzenie kasetek filtrujących. Kasetki należy wymienić. Filtr silnika wymyć pod bieżącą wodą, wysuszyć i ponownie umieścić na swoim miejscu.

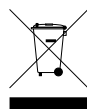
Wskazówka:

Regularnie czyścić czujniki poziomu wody i sprawdzać pod kątem widocznych uszkodzeń.

POMOC WŁASNA PRZY ZAKŁÓCENIACH

Zakłócenie	Możliwa przyczyna	Usunięcie
Spadek mocy ssania	Zabrudzony filtr Papierowy filtr zapelniony Pojemnik pełny Dysza, rura i wąż zatknięte	Czyszczenie. Wymiana. Opróżnianie. Czyszczenie.
Odkurzacze nie włącza się	Wtyczka w gniazdku? Brak napięcia sieci? Kabel sieciowy w porządku? Pokrywa prawidłowo zamknięta? Czujnik wody wyłączony? Odkurzacze w trybie czuwania „AR”?	Ustawić na „I” lub „A”
Worki zostały zassane na filtrze	Nieprawidłowe położenie zasuwki obrotowej	Zasuwkę obrotową ustawić w położeniu 4 ●
Odkurzacze klasy M lub H: przy zastosowaniu filtra papierowego pył w pojemniku	Nieprawidłowe położenie zasuwki obrotowej	Zasuwkę obrotową ustawić w położeniu 4 ▲

Nie wykonywać żadnych dalszych czynności lecz skontaktować się z centralą obsługi klienta.



Zużyte urządzenia zawierają wartościowe materiały, które nadają się do powtórnego przetworzenia. Urządzenia niewyrzucać z odpadami domowymi, lecz należy je oddać w odpowiednim punkcie zbiórki surowców wtórnych.

TECHNICKÉ ÚDAJE

Jmenovitý výkon	1400	W
Max. výkon	1600	W
Napětí	110 / 220	V~
Proud	6,5	A
Frekvence	50 / 60	Hz
Vzduchový proud*	64	l / s
Podtlak*	260	hPa
Rozměry (L x H x B)	550 x 550 x 400	mm
Kabel	6	m
Přívodní kabel u vysavačů se zásuvkou:	H07RR-F 3G1,5	
Akustický tlak	69,0	dB(A)

Používejte ochranu sluchu!

Kontroly

ními předpisy (BGV A3) a normou DIN VDE 0701 část 1 a část 3. Tyto kontroly je v souladu s normou DIN VDE 0702 třeba provádět v pravidelných intervalech a po provedené opravě nebo výměně.

Minimálně jednou ročně musí výrobce nebo vyškolená osoba provést technickou kontrolu, např. z hlediska poškození filtru, těsnosti vysavače a funkce kontrolních zařízení.

CE-Registrace prohlášení

Prohlašujeme na vlastní odpovědnost, že tento výrobek je v souladu se směrnicemi ES a příslušnými normami: směrnice 2006/42/ES o strojních zařízeních včetně změn, směrnice 2004/108/ES o elektromagnetické kompatibilitě včetně změn. Vysavače jsou testovány v souladu s normou IEC/EN 60335-2-69.

Paul van Beek
General Manager

Ruben Bernaert
Product Manager

ITW Heger
Industriepark
Cardijnlaan 3
B-8600 Diksmuide
Belgien



PŘED POUŽITÍM

Při vybalování zkontrolujte, zda je dodávka kompletní a zda nedošlo během přepravy k poškození přístroje.

Před použitím by měli být uživatelé informováni, poučeni a vyškoleni s ohledem na použití vysavače a látky, na které má být vysavač použit, včetně bezpečného postupu při odstraňování zachyceného materiálu.

OBLASTI POUŽITÍ

Pro mokré a suché odsávání

Odsávače třídy nasávání M jsou vhodné k nasávání/ odsávání suchého nehořlavého prachu, nehořlavých kapalin, dřevěného prachu a nebezpečného prachu s $AGW's \geq 0,1 \text{ mg/m}^3$.

Odsávače třídy nasávání H jsou vhodné k nasávání/odsávání suchého nehořlavého prachu, rakovinotvorných a choroboplodných, částic jakož i nehořlavých kapalin, dřevěného prachu a zdravotně závadného prachu s hodnotami $AGW's < 0,1 \text{ mg/m}^3$.

UVEDENÍ DO PROVOZU

Přístroj zapnete/vypnete pomocí spínače ②a v horní části ① (resp. přepnete na automatický provoz).

Ovládací panel

Podle výbavy jsou volitelné následující funkce a nastavení

- 0 = odsávač >Vyp<
- I = odsávač >Zap<
- A = Provozní pohotovost pro zapínací/vypínací automatiku (odsávač se zapne a vypne od elektrického nástroje)
- AC = pohotovostní režim jako „A“ plus automatické čištění filtru

Zásuvka ②b je určena na připojení elektrického nástroje.

Pozor! Elektrický nástroj musí být při napájení vypnutý. Zásuvka je při zastrčené síťové zástrčce vždy pod napětím, nezávisle na poloze spínače. V poloze spínače „0“, by se tak mohla zásuvka využít jako prodlužovací vedení (např. pro osvětlení).

Přípojná hodnota: odsávač a připojený přístroj max. 16 A.
 S regulátorem otáček ②d lze sací výkon plynule přizpůsobovat.
 Nastavitelný spínač ②d pro minimální objemový proud (houkačka a světlo) při odsávacích třídách „M“ a „H“. V režimu „A“ anebo „AC“ se v závislosti na průměru hadice uskutečňuje následující nastavení:
 Nedochozí k žádnému regulování frekvence otáčení. Odsávač funguje vždy s maximálním počtem otáček

Vnitřní průměr hadice	Poloha spínače
Ø 35 mm	70 m ³ /h
Ø 27 mm	40 m ³ /h
Ø 21 mm	20 m ³ /h

Odsávací otvory elektrických nástrojů ještě nejsou normované.
 Proto je k dispozici adaptér (pryžová tryska anebo pryžový nástavec), který se může zkrácením přizpůsobit na příslušný elektrický nástroj.

Práce

Při použití trubky s násadou je možné sací výkon přizpůsobit pomocí ventilu na přidávaný vzduch.

Suché odsávání

Odsávejte pouze se suchým filtrem, nástroji a příslušenstvím, aby prach nezůstal přilepený a inkrustovaný. Pokud se nasávají saze, cement, sádra, mouka anebo podobný prach, doporučujeme nasadit papírový filtrační sáček.
 Papírový filtrační sáček nasaďte vždy ve spojení s filtračními vložkami.

Mokrý odsávání

Odsávejte bez papírového filtračního sáčku. Na mokré odsávání jsou vhodné filtrační kazety.
 Zabudovaný senzor vypne motor při plné nádrži. Přístroj vyprázdněte, jak je uvedeno pod bodem >Vyprázdnění nádrže<. Pokud se přístroj nevypne, zůstane nadále účinná ochrana proti opětovnému zapnutí. Až po vypnutí a opětovném zapnutí je přístroj opět připravený na provoz.

- Před vyprázdněním nejdříve vyjměte sací hadici z kapaliny.
- Vysokým sacím výkonem a tvarem nádrže příznivým pro proudění, se může po vypnutí vrátit z hadice trochu vody.
- Při následném suchém odsávání použijte suché filtry. Při častém střídání suchého a mokrého odsávání vám doporučujeme, abyste používali druhou sadu filtrů, přednostně polyesterové filtrační kazety.



Čištění filtru.

Odsávače jsou vybavené elektromagnetickým čištěním filtru, kterým se může ze skládaných filtračních vložek setřít přilepený prach.

Ruční čištění

Nejpozději při rozsvícení se indikátoru objemového proudu ②c (světelná výstraha) anebo při zaznění výstražného tónu, příp. při zhoršujícím se sacím výkonu by se mělo uvést do činnosti vibrování (poloha spínače AC/spínač ②a)

Automatické čištění (vibrační automatika).

Toto čištění filtru je automatická.
(poloha spínače AC/spínač ②a).

Vyprázdnění nádrže

Schválené pro prach s hodnotami AGW's > 1 mg/m³.

Vypněte ②a, vytáhněte zástrčku ⑥, otevřete západkové uzávěry ⑨. Horní část ① a sací hadici vyjměte z nádrže ⑦. Nádrž vyklopte.

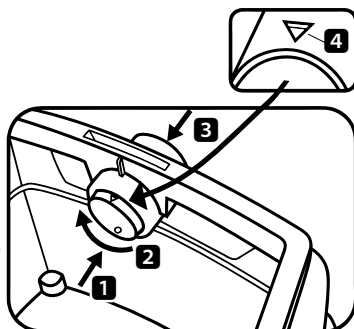
Papírový filtrační sáček

K vložení přííp. vyjmutí filtračního sáčku/vyprazdňovacího sáčku sejměte horní část ①. Otevřete příslušné boční uzávěry ⑨. Papírové filtrační sáčky používat pouze na suché odsávání.

Nasazení papírového filtračního sáčku

- 25 l zásobník:
Přírubu posuňte přes nasávací otvor.
- AC 1625 M se smějí používat pouze s papírovými filtračními sáčky, pokud sa nasává prach s expozičními hodnotami (AGW's) > 0,1 mg/m³

Otočnou zarážku do nasávacího otvoru s označením ▲ ④ směrem nahoru, přírubu posuňte přes nasávací otvor



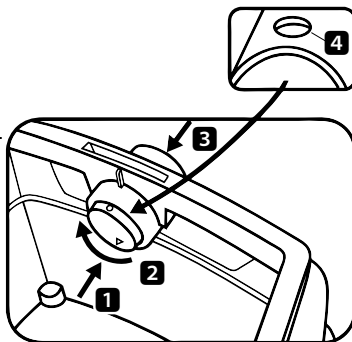
Výměna papírového filtračního sáčku

Přírubu opatrně vytáhněte z otvoru nasávání a zavřete ji. Před odstavením zapněte motor, aby se mohl vysát případně polétavý prach.
Nasátý materiál zlikvidujte podle zákonných ustanovení.

Plastový vyprazdňovací sáček

K použití plastových vyprazdňovacích sáčků jsou vhodné pouze odsávače M a H se speciálním zásobníkem a otočnou zarážkou v nasávacím otvoru typů AC 1625 M.

Otočnou zarážku v nasávacím otvoru s kulatým značením ● 4 nastavte nahoru



Obsluha otočné zarážky:

Otočnou zarážku zatlačte zevnitř směrem ven 1, pootočte ji o 180° 2 (viz značku 4) a zevně ji přes nasávací hrdlo opět zatlačte směrem dovnitř 3.

Přírubu posuňte přes sací hrdlo, horní otvor sáčku položte přes okraj nádrže.

Výměna plastového vyprazdňovacího sáčku

Odstraňte sací hadici, uzavřete nasávací otvor 8 Zátkou 8a. Sejměte horní část. Před odložením sací hadice na podlahu zapněte motor, aby se mohl vysát případně polétavý prach.

Vyprazdňovací sáček uzavřete pomocí uzavíracího pásku. Přírubu opatrně vytáhněte z nasávacího otvoru a těsně ji zavřete.

Nasátý materiál zlikvidujte podle zákonných předpisů.

ČISTĚNÍ

Nádrž a příslušenství vyčistěte vodou. Horní část 1 utřete vlhkou haděrkou.
Nádrž a příslušenství nechejte vysušit.

!



ÚDRŽBA.

Pokud se sací výkon odsávače snižuje, a ani vyčištění filtračních kazet ⑫ sací výkon nezvýší, (s předpokladem, že nádrž ⑦ je vyprázdněná a papírový filtrační sáček ⑭ je vyměněný), potom je zapotřebí vyměnit filtrační kazety ⑫

U filtračních kazet ⑫ zaktivovat před výměnou filtru ještě jednou postup vibrování. Mincí anebo podobným předmětem otočte uzávěr ⑤ na západce ④ o 90° proti směru pohybu hodinových ručiček a západku ④ zatlačte směrem dozadu. Kryt vyklepote a filtrační kazety ⑫ vyjměte směrem nahoru. Vyjmuté filtrační kazety ihned uzavřete v prachotěsném plastovém sáčku a zlikvidujte podle zákonných předpisů. Nasaďte nové filtrační kazety. Kryt sklopte a zajistěte lehkým stlačením.

Pokud je ochranný filtr motoru ⑬ znečištěný, znamená to, že jsou poškozené filtrační kazety. V takovém případě filtrační kazety vyměňte. Ochranný filtr motoru propláchněte pod tekoucí vodou, usušte a opět nasaďte

Upozornění: Pravidelně čistěte snímače hladiny vody a kontrolujte je z hlediska poškození.

POMOC V PŘÍPADĚ PORUCHY

Porucha	Možná příčina	Odstranění
Pokles sacího výkonu	Filtr je znečištěný Papírový filtr je plný Zásobník je plný Hubice, trubka nebo hadice jsou ucpané	Vyčistěte filtr. Vyměňte filtr. Vyprázdněte zásobník. Vyčistěte je.
Vysavač se nespustí	Je síťová zástrčka zapojená v zásuvce? Není síť odpojená od napětí? Je síťový kabel v pořádku? Je víko správně uzavřené? Je snímač vody vypnutý? Je vysavač v pohotovostním režimu „AR“?	Nastavte spínač do polohy „I“ nebo „A“
Polyetylenový sáček pro vyprázdňování a likvidaci prachu se přisává na filtry	Chybná poloha otočného šoupátka	Nastavte otočné šoupátko do polohy 4 ●
Vysavače třídy M nebo H : u vloženého papírového filtru se v zásobníku nachází prach	Chybná poloha otočného šoupátka	Nastavte otočné šoupátko do polohy 4 ▲

Neprovádějte žádné další zásahy, ale obraťte se na centrální zákaznickou službu.



Staré přístroje obsahují cenné materiály, které jsou vhodné pro opětovné zpracování. Přístroj neodkládat k běžnému domácímu odpadu, nýbrž nechat zlikvidovat prostřednictvím vhodných sběrných systémů.

TECHNICKÉ ÚDAJE

Menovitý výkon	1400	W
Max. výkon	1600	W
Napätie	110 / 220	V~
Prúd	6,5	A
Frekvencia	50 / 60	Hz
Vzduchový prúd*	64	l / s
Podtlak*	260	hPa
Rozmery (L x H x B)	550 x 550 x 400	mm
Kábel	6	m
Pripojovací výkon na vysávačoch so zástrčkou:	H07RR-F 3G1,5	
Akustický tlak	69,0	dB(A)

Používajte ochranu sluchu!

Skúšky

Elektrotechnické skúšky treba vykonať podľa predpisov na prevenciu vzniku úrazov (BGV A3) a podľa DIN VDE 0701 časť 1 a časť 3. Tieto skúšky sú potrebné podľa DIN VDE 0702 v pravidelných intervaloch a po oprave alebo po zmene. Minimálne raz za rok musí výrobca alebo poučená osoba vykonať prachotechnickú skúšku, napr. na poškodenie filtra, tesnosť vysávača, funkciu kontrolných zariadení

CE-Registrácia vyhlásenie

Vo výhradnej zodpovednosti vyhlasujeme, že sa výrobok zhoduje s ES smernicami a určujúcimi normami: Smernica o strojových zariadeniach 2006/42/ES so zmenami, smernica o elektromagnetickej kompatibilite 2004/108/ES so zmenami. Vysávače sú úspešne odskúšané podľa IEC/EN 60335-2-69.

Paul van Beek
General Manager

Ruben Bernaert
Product Manager

ITW Heger
Industriepark
Cardijnlaan 3
B-8600 Diksmuide
Belgien



PRED POUŽITÍM

Dávajte pozor pri vybalení na úplnosť a škody spôsobené prepravou. Pred použitím by si mali používatelia zaobstarat' informácie, pokyny a školenia pre používanie vysávača a substancií, pre ktoré sa má používať, vrátane bezpečného postupu na odstránenie zachytávaného materiálu.

OBLASTI POUŽITIA

Na mokré a suché odsávanie

Odsávač triedy nasávania M je vhodný na nasávanie/ odsávanie suchého nehorľavého prachu, nehorľavých kvapalín, dreveného prachu a nebezpečného prachu $AGW's \geq 0,1 \text{ mg/m}^3$

Odsávač triedy nasávania H je vhodný na nasávanie/ odsávanie suchého nehorľavého prachu, rakovinotvorných a choroboplodných častíc ako aj nehorľavých kvapalín, dreveného prachu a zdravotne závažného prachu s hodnotami $AGW's < 0,1 \text{ mg/m}^3$

UVEDENIE DO PREVÁDZKY

Prístroj zapnite/vypnite so spínačom ②a v hornej časti ① (resp. prepnite na automatickú prevádzku).

Ovládací panel

Podľa výbavy sú voliteľné nasledujúce funkcie a nastavenia.

- 0 = odsávač >vypnutý<
- I = odsávač >zapnutý<
- A = Prevádzková pripravenosť pre zapínanie/vypínanie automatiku. (odsávač sa zapne a vypne od elektrického náradia)
- AC = Ppohotovostný režim ako „A“ plus automatické čistenie filtra

Zásuvka ②b je určená na pripojenie elektrického náradia.

Pozor! Elektrické náradie musí byť pri pripojení vypnuté. Zásuvka sa pri zastrčenej sieťovej zástrčke nachádza vždy pod napätím, nezávisle od polohy spínača. V polohe spínača „0“, by sa tak mohla zásuvka využiť ako predlžovacie vedenie (napr. pre osvetlenie).

Prípojná hodnota: odsávač a pripojený prístroj max. 16 A.

S regulátorom otáčok ②d sa môže sací výkon plynulo prispôbovať

Nastaviteľný spínač ②d pre minimálny objemový prúd (húkačka a svetlo) pri odsávačoch triedy „M“ a „H“.

V režime „A“ alebo „AC“ sa v závislosti od priemeru hadice uskutočňuje nasledujúce nastavenie:

Nedochádza k žiadnemu regulovaniu frekvencie otáčania. Odsávač funguje vždy s maximálnym počtom otáčok.

Vnútny priemer trubice	Poloha spínača
Ø 35 mm	70 m ³ /h
Ø 27 mm	40 m ³ /h
Ø 21 mm	20 m ³ /h

Odsávacie otvory elektrických náradí ešte nie sú normované.

Preto je k dispozícii adaptér (gumová tryska alebo gumový nástavec), ktorý sa môže skrátením prispôbiť na príslušné elektrické náradie.

Práca

Pri použití rúry s násadou sa môže s ventilom na prídavný vzduch prispôbovať sací výkon.

Suché odsávanie

Odsávajte iba so suchým filtrom, náradím a príslušenstvom, aby prach nezostal prilepený a inkrustovaný. Ak sa nasáva sadza, cement, sadra, múka alebo podobný prach, odporúčame nasadiť papierové filtračné vrecko.

Papierové filtračné vrecko nasajte vždy v spojení s filtračnými vložkami.

Mokrú odsávanie

Odsávajte bez papierového filtračného vrecka. Filtračné kazety sú vhodné na mokré odsávanie.

Zabudovaný senzor vypne motor pri plnom zásobníku. Prístroj vyprázdnite, ako je popísané pod <Vyprázdnenie zásobníka>. Ak sa prístroj nevypne, zostane naalej účinná ochrana proti opätovnému zapnutiu. Až po vypnutí a novom zapnutí je prístroj opäť pripravený na prevádzku.

- Pred vyprázdňovaním najskôr vyberte saciu hadicu z kvapaliny.
- Vysokým sacím výkonom a tvarom zásobníka priaznivým pre prúdenie, môže po vypnutí vrátiť sa z hadice trocha vody.
- Pri následnom suchom odsávaní použite suché filtre. Pri častom striedaní suchého a mokrého odsávania vám odporúčame, aby ste používali druhú sadu filtrov, prednostne polyesterové filtračné kazety

Čistenie filtra

Odsávače sú vybavené s elektromagnetickým čistením filtra, ktorým sa môže zo skladaných filtračných vložiek zvibrovať prilepený prach.

Ručné čistenie

Najneskôr pri rozsvietení sa indikátora objemového prúdu ②c (svetelná výstraha) alebo pri zaznení výstražného tónu, príp. pri zhoršujúcom sa sacom výkone by sa malo uviesť do činnosti vibrovanie (poloha spínača AC/spínač ②a).

Automatické čistenie (Vibračná automatika).

Toto čistenie filtra je automatické.
(poloha spínača AC/spínač ②a).

Vyprázdnenie zásobníka

Schválené výlučne pre prach s hodnotami AGW > 1 mg/m³.

Vypnite ②a, vytiahnite zástrčku ⑥, otvorte západkové uzávery ⑨. Hornú časť ① a saciu hadicu vyberte zo zásobníka ⑦. Zásobník vyklopte.

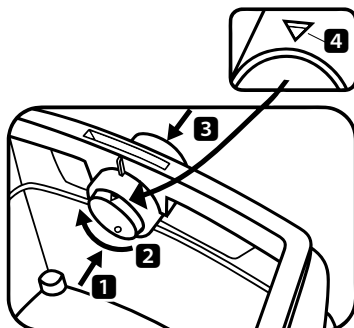
Papierové filtračné vrecko

Na nasadenie, resp. odobratie filtračného vrecka/ vyprázdňovacieho vrecka odoberte hornú časť ①. Otvorte nato určené bočné uzávery ⑨.
Papierové filtračné vrecko použite iba na suché odsávanie.

Nasadenie papierového filtračného vrecka

- 25 litrový zásobník:
Prírubu posuňte cez nasávací otvor
- AC 1625 M sa môžu používať iba s papierovými filtračnými vreckami pri nasávaní prachu s expozičnými hodnotami AGW > 0,1 mg/m³.

Otočnú zarážku v nasávacom otvore s označením ▲ 4 dajte hore.



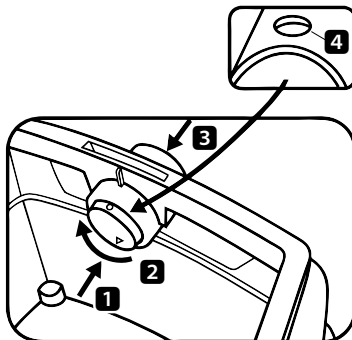
Výmena papierového filtračného vrečka

Prírubu opatrne vyťahnite z otvoru nasávania a zatvorte ju. Pred odstavením zapnite motor, aby sa mohol vysať prípadný polétavý prach. Nasatý materiál zlikvidujte podľa zákonných predpisov.

Plastové vyprázdňovacie vrečko

Na použitie plastových vyprázdňovacích vreciek sú vhodné iba odsávače M a H so špeciálnym zásobníkom s otočnou zarážkou v nasávacom otvore typov AC 1625 M

Otočnú zarážku v nasávacom otvore s okrúhlym označením ● 4 dajte hore.



Obsluha otočnej zarážky:

Otočnú zarážku zatlačte zvnútra smerom von 1, pootočte ju o 180° 2 (pozri značku 4) a zvonku ju cez nasávacie hrdlo opäť zatlačte smerom dovnútra 3.

Prírubu posuňte cez sacie hrdlo, horný otvor vrečka položte cez okraj zásobníka.

plastového vyprázdňovacieho vrečka

Odstráňte saciu hadicu, uzatvorte nasávací otvor 8 zátkou 8a.

Odoberte hornú časť. Pred odstavením sacej hadice na dlažku zapnite motor, aby sa mohol vysať prípadný prach.

Vyprázdňovacie vrečko uzatvorte uzatváracou páskou.

Prírubu opatrne vyťahnite z otvoru nasávania a tesne ju zatvorte.

Nasatý materiál zlikvidujte podľa zákonných predpisov.

SK

ČISTENIE

Zásobník a príslušenstvo vyčistite s vodou. Hornú časť 1 utrite s vlhkou handrou. Zásobník a príslušenstvo nechajte vysušiť.

ÚDRŽBA

Ak sa sací výkon odsávača znižuje, a ani vyčistenie filtračných kaziet ⑫ viac nezvyší sací výkon, (predpokladá sa, že zásobník ⑦ je vyprázdnený a papierové filtračné vrecko ⑭ je vymenené), potom je potrebné vymeniť filtračné kazety ⑫.

Filtračné kazety ⑫ pred výmenou filtra ešte raz zvlbujte. S mincou alebo podobným predmetom otočte uzáver ⑤ na západke ④ o 90° proti smeru pohybu hodinových ručičiek a západku ④ zatlačte smerom dozadu. Kryt vyklopte a vyberte filtračné vložky ⑫ smerom hore. Odňaté filtračné kazety ihneť uzatvorte v prachotesnom plastovom vrečku a zlikvidujte podľa zákonných predpisov. Nasaďte nové filtračné kazety. Kryt sklopte a zaistíte ľahkým stlačením.

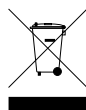
Ak je ochranný filter motora ⑬ znečistený, znamená to, že sú poškodené filtračné kazety. Prosím, v takomto prípade filtračné kazety vymeňte. Ochranný filter motora prepláchnite pod tečúcou vodu, vysušte a opäť nasaďte.

Upozornenie: Sensory stavu vody pravidelne čistite a skontrolujte ich na známky poškodenia.

SAMOSTATNÁ POMOC PRI PORUCHÁCH

Porucha	Možná príčina	Odstránenie
Vynechávajúce sacieho výkonu	Filter je znečistený Papierový filter je plný Nádoba je plná Hubica, rúry alebo trubica sú upchané	Vyčistiť. Vymeniť. Vyprázdniť. Vyčistiť.
Vysávač sa nespustí	Je sieťová zástrčka v zásuvke? Je sieť bez napätia? Je sieťový kábel v poriadku? Je kryt správne zatvorený? Je senzor vody vypnutý? Je vysávač v prevádzkovej pohotovosti „AR“?	Nastavte na „I“ alebo „A“
PE vyprázdňovacie a likvidačné vrečko sa nasáva na filter	Poloha otočného posúvača je nesprávna	Otočný posúvač dajte do polohy 4 ●
Vysávače triedy M alebo H: pri vložení papierového filtra na prach v nádobe	Poloha otočného posúvača je nesprávna	Otočný posúvač dajte do polohy 4 ▲

Neuskutočňujte žiadne zásahy, ale kontaktujte centrálnu dielňu zákazníckeho servisu.



Staré prístroje obsahujú cenné materiály, ktoré sú vhodné na opätovnú spracovaniu. Prístroj neodkladajte k bežnému domácejmu odpadu, ale nechajte zlikvidovať prostredníctvom vhodných zberných systémov.

ТЕХНИЧКИ КАРАКТЕРИСТИКИ

Номинална моќност	1400	W
Макс. моќност	1600	W
Напон	110 / 220	V~
Струја	6,5	A
Фреквенција	50 / 60	Hz
Струење воздух на издувувачот	64	l / s
Потпритисок на издувувачот	260	hPa
Димензии (д x в x ш)	550 x 550 x 400	mm
Кабел	6	m
Приклучен вод кај вмсукувачи со утичница	H07RR-F 3G1,5	
Звучен притисок	69,0	dB(A)

Носете заштита за уши !

Контроли

Електротехнички контроли се извршуваат според прописите од прописот за заштита од несреќи (БГВ АЗ) и според ДИН ВДЕ0701, Дел 1 и Дел 3. Ваквите контроли се неопходни согласно ДИН ВДЕ 0702 во редовни интервали и по поправки или измена.

Да се извршува проверка од страна на производителот по однос на техниката за смукање,

на пример по однос на оштетување на филтерот, најмалку годишно.

Непропустливост на апаратот, функционалност на контролните уреди.

CE-Изјава за одобрување

Во сопствена одговорност изјавуваме, дека апаратите од типот Spit AC 1625 и AC 1630P што се наведени во оваа Изјава, одговараат на следните норми како и на условите во други документи од нормативен карактер. Во сопствена одговорност изјавуваме, дека овој производ одговара на следните норми односно нормирачки документи: EN60335-2-69.

Paul van Beek
Управител

Ruben Bernaert
Менаџер на
производство

ITW Heger
Industriepark
Cardijnlaan 3
B-8600 Diksmuide
Belgien

МК

ПРЕД УПОТРЕБА

При отпакувањето обрнете внимание на комплетноста како и на штети при транспортот.

Пред употребата корисниците треба да добијат информации, инструкции и обуки за употребата на всмукувачот и на супстанците, за коишто тој треба да биде употребуван, вклучувајќи и безбедна постапка за отстранување на насобраниот материјал

ОБЛАСТИ НА УПОТРЕБА

За влажно и суво всмукување

Всмукувачи од класата M се погодни за смукање/всмукување на суви, незапаливи прашина, незапаливи течности, дрвени прашина и опасни прашина со гранични вредности на експозиција (AGW's) $\geq 0,1 \text{ mg/m}^3$

Всмукувачи од класата X се погодни за смукање/всмукување на суви, незапаливи прашина, честички што предизвикуваат рак и честички што предизвикуваат болести како и незапаливи течности, дрвени прашина и прашина опасни по здравјето со гранични вредности на експозиција (AGW's) $\geq 0,1 \text{ mg/m}^3$.

ПУШТАЊЕ ВО РАБОТА

Со прекинувачот ②а во горниот дел ① апаратот се вклучува / исклучува (односно се менува во автоматски режим).

Контролен панел

Зависно од опремата можат да се изберат следните функции и поставки.

- 0 = Всмукувач >искл<
- I = Всмукувач >вкл<
- A = Режим на подготвеност за автоматика на Вкл/Искл.
(Всмукувачот се вклучува и исклучува од електро-алатот)
- AC = Режим на подготвеност како „A“ плус автоматско чистење на филтер на секои 2 мин.

Утичницата ②b е предвидена за приклучување на еден електро-алат.

Внимание! Електро-алатот мора да биде исклучен при приклучувањето. Утичницата во случај на приклучен мрежен утикач секогаш стои под напон, независно од позицијата на прекинувачот. Така, во позиција на прекинувач „0“ утичницата би можела да се употребува како продолжен вод (на пример за ламба)

Приклучна вредност: Всмукувач и приклучен апарат макс. 16 А.
Со нагдувачот за број на вртежи ②d учинокот на всмукувањето може да биде бестепено прилагодено.

Прекинувач ②d за сигнал за минимален волумен на струја (свирка и трепкање) кај всмукувачи од типот „М“ и „Х“. Во режимот „А“ или „АС“ се врши следната поставка во зависност од дијаметарот на цревето:

Внатрешен дијаметар на црево	Позиција на прекинувач
Ø 35 mm	70 m³/h
Ø 27 mm	40 m³/h
Ø 21 mm	20 m³/h

Не се врши регулација на бројот на вртежи. Всмукувачот секогаш работи со максималниот број на вртежи.
Отворите за всмукување на електро-алатите сè уште не се нормирани. Затоа на располагање стои адаптерот (гумен навoj), којшто може да биде прилагоден на соодветниот електро-алат со кретење

РАБОТА

При употреба на цевката за држење, со шиберот за пропратен воздух може да се прилагоди моќноста на смукањето

Суво всмукување

Да се всмукува само со сув филтер, всмукувач и додатоци за всмукувачот да не остане залепен и да не закорави.

Кога се всмукуваат саѓи, цемент, гипс, брашно или слични прашини, ви препорачуваме употреба на хартиена филтер ќеса. Употребувајте хартиена филтер ќеса секогаш заедно со касети за набран филтер

Влажно всмукување

Всмуквање без хартиена филтер ќеса. Филтер-касетите се наменети за водено всмукување. Вградениот сензор го исклучува моторот при полн сад. Испразнете го апаратот како што е опишано во >Празнење на садот<.

Доколку апаратот не се исклучи, заштитата од повторно вклучување дејствува и понатаму. Дури по исклучување и повторно вклучување апаратот е повторно подготвен за работа

- Пред празнењето најпрво извадете го цревето за всмукување од течноста.
- Преку високата моќност на всмукување и формата на садот што овозможува струење можно е, по исклучувањето да се врати малку вода од цревето
- При следно суво всмукување употребете суви филтри.
При често менување меѓу суво и влажно всмукување ви препорачуваме употреба на втор комплет филтри, се претпочита полиестерни касети со набран филтер. Пред празнењето најпрво извадете го цревето за всмукување од течноста

Чистење на филтерот

Всмукувачите се опремени со електромагнетно чистење на филтерот, со којшто од филтер-касетите може да се истресе прашина што се лепи.

Рачно чистење

Најдоцна при светнување на индикаторот за волумен на струја ②c (предупредувачка ламбичка) или јавување на предупредувачкиот тон односно при намалена моќност во всмукувањето потребно е да се притисне истресувањето (позиција на прекинувач АС/прекинувач ②a).

Автоматско чистење (автоматика на тресење)

Ваквото чистење на филтерот се врши автоматски.
(Позиција на прекинувач АС/прекинувач ②a).

Празнење на садот

Дозволено само кај прашина со гранични вредности на експозиција (AGW's) > 1mg/m³.

Исклучете ②a, извади утикач ⑥, отвори ги затворачите ⑨. Горниот дел ① и црево за всмукување извадете ги од садот ⑦. Превртете го садот.

Хартиена филтер ќеса

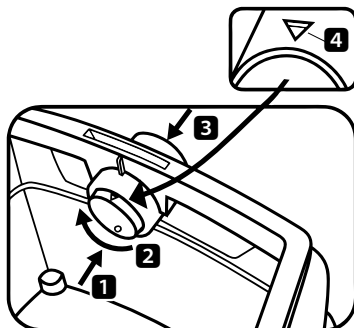
За ставање односно вадење на филтерната ќеса/ќесата за празнење, извадете го горниот дел (поз. ①). За таа цел отворете ги страничните затворачи (поз. ⑨).

Хартиените филтер ќеси употребувајте ги само за суво всмукување.

Ставање хартиена филтер ќеса

- сад од 25 литри:
втурнете ја прирабницата врз отворот за всмукување.
- 25 л специјален сад кај АС 1625 М смее да работи само со хартиени филтер ќеси, кога се всмукуваат прадини со гранични вредности на експозиција (AGW's) > 0,1mg/m³.

Поставете го ротирачкиот вентил во отворот за всмукување со маркирањето ▲4 нагоре, ставете ја прирабницата врз отворот за всмукување

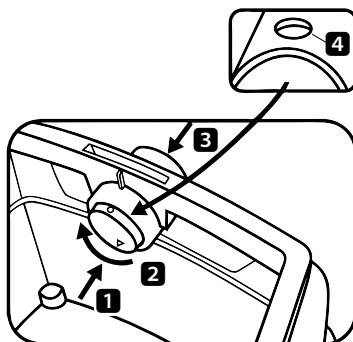


Ставање кеса од ПЕ за празнење и отстранување

УПАТСТВО: Само всукувачите од класата „М“ и „Х“ со специјален сад и ротирачки вентил во отворот за всукување се погодни за употреба на кеси од ПЕ за празнење и отстранување

Поставете го ротирачкиот вентил во отворот за всукување со маркирањето 4 ● нагоре.

Втурнете ја прирабницата над отворот за всукување, поставете го горниот отвор на кесата над работ од садот. Ставете го горниот дел на садот и затворете ги страничните затворачи



Употреба на ротирачкиот вентил:

Притискајте го ротирачкиот вентил од внатре кон надвор 1, завртете го 180° 2 (види маркирање 4) и однадвор преку отворот за всукување повторно притиснете го кон внатре 3

Замена на пластичната кеса за празнење

Отстранете го цреводо за всукување, затворете го отворот за всукување 8 со штопна 8a.

Извадете го горниот дел 1. Пред оставање вклучете го моторот за да може да се всука евентуалната лебдечка прашина што паѓа. Затворете го кесето за празнење со лента за затворање.

Извлечете ја внимателно прирабницата од отворот за всукување и затворете ја така што ќе заптива.

Отстранете го всуканиот материјал согласно законските одредби.

МК

ЧИСТЕЊЕ

УПАТСТВО: Киселина, ацетон и разредувачи можат да нагризаат делови од всукувачот.

Исчистете ги садот и додатоците со вода.

Избришете го горниот дел со влажна крпа.

Оставете ги садот и додатоците да се исушат.

ОДРЖУВАЊЕ

Доколку се намалува учинокот во всмукувањето на всмукувачот, а чистењето на филтер-касетите ⑫ не го зголемува учинокот на всмукувањето (под претпоставка доколку садот ⑦ е празен и е извршена замена на хартиената филтер кеса ⑭), во тој случај е потребно да се изврши замена на филтер-касетите ⑫

Истресете ги филтер-касетите ⑭ уште еднаш пред замена на филтерот. Со паричка или сличен предмет свртете го затворачот ⑤ на блок-елементот ④ за 90° спротивно од насоката на стрелките на часовникот и притиснете го блок-елементот ④ кон назад. Подигнете го капакот и извлекете ги филтер-касетите ⑫ нагоре. Извадените филтер-касети веднаш озатворете ги во пластична кеса што не пропушта прашина и отстранете ги согласно прописите.

Ставете нови филтер-касети. Спуштете го капакот и аретирајте со лесно притискање

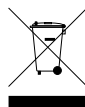
Доколку филтерот за заштита на моторот ⑬ е нечист, тоа упатува на неисправни филтер-касети. Заменете ги филтер-касетите ⑫. Исперете го филтерот за заштита на моторот ⑬ под вода што тече, исушете го и ставете го повторно

Забелешка! Нивото на водата сензори чистат редовно и проверете за знаци на оштетување

КАКО ДА СИ ПОМОГНЕТЕ САМИ ПРИ ПРЕЧКИ

Пречка	Можна причина	Отстранување
Намалување на учинокот при всмукување	Филтер нечист Хартиен филтер полн Сад полн Цевчиња, цевки или црево затнати	Исчисти Замени Испразни Исчисти
Всмукувачот не проработува	Ставен е утикачот во утичницата? Мрежата нема напон? Мрежниот кабел е во ред? Капакот е исправно затворен? Сензорот за вода е исклучен? Всмукувачот е во режим на приправност >AC<?	Ставете на >I< или >A>
Кесата од ПЕ за празнење и отстранување се всмукува на филтрите	Позиција на ротирачки вентил погрешна	Ставете го ротирачкиот вентил на позиција 4 ●
Всмукувач од класа „М“ или „Х“: при ставен хартиен филтер прашина во садот	Позиција на ротирачки вентил погрешна	Ставете го ротирачкиот вентил на позиција 4 ●

Не преземајте други зафати туку контактирајте ја централната работилница при службата за клиенти на SPIT.



Старите апарати содржат драгоцен материјали што се погодни за повторна обработка. Не го ставајте апаратот во вообичаениот куќен смет, туку отстранете го во соодветни стручни системи за собирање, на пример преку вашата комунална служба за отстранување смет преку вашата комунална служба за отстранување смет

TEHNIČKI PODACI

Nominalna vrijednost	1400	Vat (W)
Maks. snaga	1600	Vat (W)
Napon	110 / 220	V~
Struja	6,5	A
Frekvencija	50 / 60	Herc
Protok vazduha*	64	l / s
Potpritisak*	260	hPa
Dimenzije (L x H x B)	550 x 550 x 400	mm
Kabl	6	m
Priključni vod kod usisivača sa utičnicom:	H07RR-F 3G1,5	
Nivo buke	69,0	dB(A)

Nosite zaštitu sluha!

Atest

Elektrotehnički atesti je potrebno sprovesti na osnovu propisa o sprečavanju nesreće na radu (BGV A3) i u skladu sa DIN VDE 0701 dio 1 i dio 1.3. Ove kontrole su neophodne u skladu sa DIN VDE 0702 u ravnomjernih vremenskim razmacima i nakon remonta ili promjena.

Potrebno je najmanje jednom godišnje sprovesti kontrolu zaptivenosti na prašinu od strane proizvođača ili stručnog lica, npr. na oštećenja filtera, zaptivenosti usisivača, funkcionisanje kontrolnih lampica.

CE-Registracija izJava

Na sopstvenu odgovornost izjavljujemo da je ovaj proizvod u skladu sa EZ-Uputstvima i mjerodavnim normama: Uputstvo za mašine 2006/42/EZ sa izmjenama, EMK-Uputstvo2004/108/EG sa izmjenama.. Usisivači su uspješno atestirani u skladu sa IEC/EN 60335-2-69



Paul van Beek
General Manager

Ruben Bernaert
Product Manager

ITW Heger
Industriepark
Cardijnlaan 3
B-8600 Diksmuide
Belgien

PRIJE UPOTREBE

Prilikom raspakivanja obratite pažnju na cjelovitost isporuke i oštećenja prilikom transporta.

Prije upotrebe potrebno je da korisnici budu upoznati sa informacijama, instrukcijama i obukama za upotrebu usisivača i materijala, za koje će se koristiti usisivač, uključujući i bezbjedni postupak za uklanjanje usisanog materijala..

PODRUČJA UPOTREBE

Za mokro i suvo usisavanje.

Usisivači klase M prikladni su za usisavanje suvih nezapaljivih prašina, nezapaljivih tečnosti, drvenih prašina i opasnih prašina sa AGW-vrednostima $\geq 0,1 \text{ mg/m}^3$.

Usisivači klase H prikladni su za usisavanje suvih nezapaljivih prašina, česica koje prouzrokuju rak i izazivaju bolesti, kao i nezapaljivih tečnosti, drvenih prašina i prašina opasnih za zdravlje sa AGW-vrednostima $< 0,1 \text{ mg/m}^3$.

STAVLJANJE U POGON

Sa prekidačem ②a u gornjem delu ① ključite/isključite aparat (odn. preklopite na automatski rad).

Upravljačko polje

Zavisno od opreme mogu se odabrati sledeće funkcije i postavke.

0 = usisivač >isklj<

I = usisivač >uklj<

A = pripremljenost za automatsko uključivanje/isključivanje.

(usisivač se isključuje i uključuje pomoću električnog alata)

AC = pogon radne spremnosti kao „A“ plus Automatsko čišćenje filtera

Utičnica ②b je predviđena za uključivanje električnog alata.

Pažnja! Električni alat mora kod priključivanja da bude isključen. Utičnica se kod umetnutog mrežnog utikača nezavisno od položaja prekidača uvek nalazi pod naponom. U položaju prekidača „0“ se utičnica tako može da koristi kao produžni vod (na pr. za svetiljku).

Priključna vrednost: usisivač i priključeni aparat maks. 16 A.

Sa regulatorom broja okretaja ②d može se kontinuirano prilagođavati usisna snaga. Prekidač za predbiranje ②d za signal najmanjeg volumena (truba i lampa) kod usisivača te klase „M“ i „H“.

U načinu „A“ ili „AC“ se zavisno od prečnika creva obavljaju sledeća podešavanja:

Nema regulisanja broja okretaja.

Usisivač uvek radi sa max. brojem obrtaja

Unutrašnji priječnik crijeva	Položaj prekidača
Ø 35 mm	70 m³/h
Ø 27 mm	40 m³/h
Ø 21 mm	20 m³/h

Usisni otvori električnih alata još nisu normirani. Zato stoji na raspolaganju adapter (gumena sapnica ili gumeni naglavak) koji se može skraćivanjem može prilagoditi svakom električnom alatu.

Rad

Kod upotrebe ručke može se bočnim vazдушnim klizačem prilagoditi usisna snaga.

Suvo usisavanje

Usisavajte samo sa suvim filterom, aparatom i priborom kako se prašina ne bi hvatala i skorila. Ako usisavate čađ, cement, gips, brašno ili slične prašine, preporučujemo upotrebu papirnate filterske kesice. Papirnatu filtersku kesicu uvek upotrebljavajte zajedno sa filterskim ulošcima.

Mokro usisavanje

Usisavajte bez papirnate filterske kesice. Filterske kasete su prikladne za mokro usisavanje. Ugrađeni senzor isključuje motor ako je posuda napunjena. Uređaj ispraznite prema opisu pod >Pražnjenje posude<. Ako se aparat ne isključi, i dalje je delotvorna zaštita od ponovnog uključivanja. Aparat je spreman za rad tek posle isključivanja i ponovnog uključivanja.

- Za pražnjenje najpre izvadite usisno crevo iz tečnosti.
- Zbog visoke usisne snage i aerodinamičnog oblika posude može da se kod isključivanja nešto vode vrati iz creva.
- Kod suvog usisavanja nakon toga umetnuti suvi filter. Kod čestog menjanja između suvog i mokrog usisavanja preporučamo korišćenje još jednog kompleta filtera. Ponajpre filterske kazete od polijestera.

SRB

Čišćenje filtera

Usisivači su opremljeni sa elektromagnetskim čišćenjem filtera, pomoću kojeg se iz uložaka naboranog filtera može istresti nahvatana prašina.

Ručno čišćenje

Najkasnije kod paljenja prikaza protoka strujanja ②c (signalna lampica) ili ozvučenja signalnog zvuka tj. kod opadajućeg kapaciteta usisavanja se treba pritisnuti vibriranje (položaj prekidača R ili AC / prekidač ②a).

Automatsko čišćenje (vibraciona automatika).

Ovo čišćenje filtera obavlja se automatski.
(položaj prekidača AC / prekidač ②a.)

Pražnjenje posude

Dozvoljeno samo kod prašina sa AGW-vrednostima > 1 mg/m³.

Isključite ②a, izvucite utikač ⑥, otvorite sklopne zatvarače ⑨. Gornji deo ① i usisno crevo izvadite iz posude ⑦. Istresite posudu.

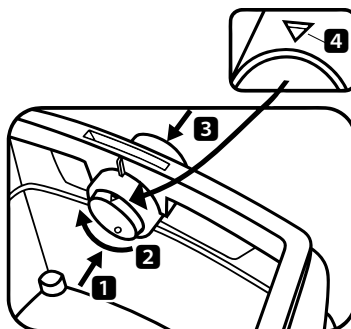
Papirnata filterska kesica

Za umetanje odn. vađenje filterske kesice/kesice za pražnjene, skinite gornji deo ①. U tu svrhu otvorite bočne zatvarače ⑨. Papirnatu filtersku kesicu upotrebljavajte samo kod suvog usisavanja.

Umetanje papirnate filterske kesice

- 25 litarska posuda
Prirubnicu potisnite nad usisni otvor.
- AC 1625 M smeju da se pogone samo sa papirnatim filterskim kesicama, ako se usisavaju prašine sa ekspozicionim graničnim vrednostima (AGW) > 0,1mg/m³.

Okretni klizač u usisnom otvoru postavite sa oznakom 4 ▲ prema gore, prirubnicu potisnite preko usisnog otvora.



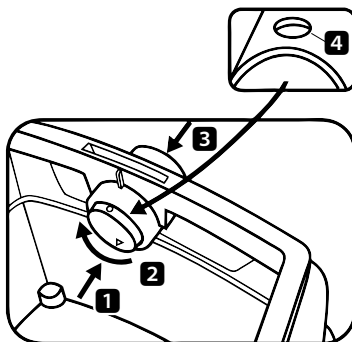
Zamena papirnate filterske kesice

Prirubnicu oprezno skinite sa usisnog nastavka i zatvorite ga. Motor uključite pre odlaganja, da bi mogla da se usisa eventualno nastala lebdeća prašina. Usisani materijal zbrinite prema zakonskim odredbama.

Plastična kesica za pražnjenje

Samo M i H usisivači sa posebnom posudom i okretnim klizačem u usisnom otvoru, tipovi AC 1625 M, prikladni su za upotrebu plastične kesice za pražnjenje.

Okretni klizač u usisnom otvoru sa okruglom oznakom **4** ● pomaknite prema gore.



Posluživanje obrtnog šibera:

Obrtni šiber iznutra potisnuti prema vani **1**, okrenuti za 180° **2** (vidi oznaku **4**) i izvana opet kroz nastavke za usisavanje potisnuti unutra **3**.

Prirubnicu potisnite preko usisnog nastavka, gornji otvor kesice položite preko ruba posude

Zamena plastične kesice za pražnjenje

Odstranite usisno crevo, usisni otvor **8** zatvorite čepom **8a**. Skinite gornji deo **1**. Pre odlaganja isključite motor, da bi mogla da se usisa eventualno nastala lebdeća prašina. Kesicu za pražnjenje zatvorite trakom za zatvaranje. Prirubnicu oprezno skinite sa usisnog otvora i zaptiveno je zatvorite. Usisani materijal zbrinite prema zakonskim odredbama.

ČIŠĆENJE

Posudu i pribor čistite vodom. Gornji deo **1** obrišite vlažnom krpom. Pustite da se posuda i pribor osuše.

SRB

ODRŽAVANJE

Ako se usisna snaga usisivača smanji te ako se ista više ne može povećati nakon čišćenja filterskih kaseti ⑫ (uz pretpostavku da je posuda ⑦ prazna i papirnata filterska kesica ⑭ zamenjena), tada treba da zamenite filterske kasete ⑫.

Filterske kasete ⑫ pre zamene filtera još jednom potresite. Sa novčićem ili sličnim predmetom okrenite zatvarač ⑤ na zasunu ④ za 90° u smeru kazaljki na satu i zasun ④ pritisnite prema natrag. Rasklopite poklopac i filterske uloške ⑫ izvadite prema gore.

Izvađene filterske kasete odmah zatvorite u plastičnoj kesici koja ne propušta prašinu i propisno ih zbrinite. Umetnite novu filtersku kazetu. Zatvorite poklopac i zaboravite ga laganim pritiskanjem.

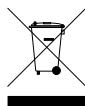
Ukoliko bi filter za prljavštinu ⑬ bio onečišćen, to upućuje na defektne filterske kasete. Molimo zameniti filterske kasete. Zaštitni filter za motor isprati pod tekućom vodom, osušiti, i opet umetnuti.

Napomena! Senzore nivoa vode redovno čistiti i kontrolisati da li postoje naznake oštećenja.

SMETNJE KOJE KORISNIK MOŽE SAM OTKLONITI

Smetnja	Mogući uzroci	Otklanjanje
Smanjena usisna snaga	Prijav filter Papirni filter je napunjen Posuda je napunjena Mlaznica, cijev ili crijevo su zapušeni.	Očistiti. Zamjeniti. Isprazniti. Očistiti.
Usisivač ne radi	Mrežni utikač u utičnici? Nema napona u mreži? Mrežni kabl neispravan? Poklopac nije ispravno zatvoren? Senzor za vodu je isključen? Usisivač je u režimu pripravnosti „AR“?	Postaviti na „I“ ili „A“
PE-vreća za pražnjenje i uklanjanje se usisava i prijanja uz filtre	Pozicija obrtnog klizača je pogrešna	Postavite obrtni klizač na poziciju ④ ●
Usisivači klase M ili H: kod umetnutog papirnog filtera ima prašine u posudi	Pozicija obrtnog klizača je pogrešna	Postavite obrtni klizač na poziciju ④ ▲

Nemojte preduzimati nikakve dalje zahvate, već pozovite centralni servis kupaca



stari uređaji sadrže vrijedne materijale, koji su pogodni za recikliranje. Nemojte usisivač uklanjati zajedno sa uobičajenim kućnim smećem, nego njegovo uklanjanje izvršite stručno, npr. preko komunalne službe za uklanjanje otpada..

TEHNIČKI PODACI

Nazivna snaga	1400	W
Maksimalna snaga	1600	W
Napon	110 / 220	V~
Struja	6,5	A
Frekvencija	50 / 60	Hz
Strujanje zraka*	64	l / s
Podtlak*	260	hPa
Dimenzije (L x H x B)	550 x 550 x 400	mm
Kabel	6	m
Priključni vod kod usisivača s utičnicom.	H07RR-F 3G1,5	
Zvučni tlak	69,0	dB(A)

Nosite zaštitu sluha!

Ispitivanja

Elektroteknička ispitivanja provode se prema propisima sprječavanja nezgoda (BGV A3) i prema DIN VDE 0701 dio 1 i dio 3. Ovakva su ispitivanja potrebna prema DIN VDE 0702 redovita i prema popravku ili izmjeni. Najmanje jednom godišnje proizvođač ili ovlaštena osoba mora provesti ispitivanje prašine, na primjer na oštećenja filtera, propusnost usisivača, funkciju kontrolnog dijela

CE-Registracija izjavu

Na vlastitu odgovornost izjavljujemo da ovaj proizvod odgovara smjernicama Europske zajednice te mjerodavnim normama: Smjernica za strojeve 2006/42/EG s izmjenama, EMV smjernica 2004/108/EG s izmjenama. Usisivači uspješno su ispitani prema IEC/EN 60335-2-69.

Paul van Beek
General Manager

Ruben Bernaert
Product Manager

HR

ITW Heger
Industriepark
Cardijnlaan 3
B-8600 Diksmuide
Belgien

PRIJE KORIŠTENJA

Prilikom razmatranja pripazite na potpunost i oštećenja od transporta. Prije korištenja korisnici moraju biti opskrbljeni informacijama, uputama i edukacijom za korištenje usisivača te o tvarima za koje će se primjenjivati uključujući sigurnog postupka uklanjanja usisanog materijala.

PODRUČJA PRIMJENE

Za mokro i suho usisavanje.

Usisivači klase M su prikladni za usisavanje suhih negorivih prašina, negorivih tekućina, drvenih prašina i opasnih prašina s AGW vrijednostima $\geq 0,1 \text{ mg/m}^3$.

Usisivači klase H su prikladni za usisavanje suhih negorivih prašina, čestica koje prouzrokuju rak i izazivaju bolesti, kao i negorivih tekućina, drvenih prašina i prašina opasnih po zdravlje s AGW vrijednostima $< 0,1 \text{ mg/m}^3$.

PUŠTANJE U POGON.

Sa sklopkom ②a u gornjem dijelu ① uređaj uključiti / isključiti (tj. uključiti u automatski pogon).

Polje za posluživanje

Ovisno o opremi se mogu birati sljedeće funkcije i podešavanja

0 = usisivač >isklj.<

I = usisivač >uklj.<

A = pogonska spremnost za automatiku uključivanja/ isključivanja.
(Usisivač uključuje i isključuje električni alat)

AC = pogon radne spremnosti kao „A“ plus Automatsko čišćenje filtra

Utičnica ②b je predviđena za priključak jednog električnog alata.

Pozor! Električni alat prilikom priključivanja mora biti isključen.

Utičnica kod utaknutog mrežnog utikača neovisno o položaju sklopke uvijek stoji pod naponom. U položaju sklopke „0“ se utičnica tako može koristiti kao produžni vod (n pr. za svjetiljku).

Priključna vrijednost: Usisivač i priključeni uređaj: max. 16 A.

Sa napravom za podešavanje broja okretaja ②d se učinak usisavanja može kontinuirano namjestiti.

Sklopka za predbiranje ②d za signal najmanjeg volumena (truba i svjetiljka) kod usisivača te klase „M“ i „H“.

U modusu „A“ ili „AC“ se ovisno o promjeru crijeva prave slijedeća podešavanja: Nema reguliranja broja okretaja.

Usisivač uvijek radi sa max. brojem okretaja

Unutarnji promjer crijeva	Položaj prekidača
Ø 35 mm	70 m ³ /h
Ø 27 mm	40 m ³ /h
Ø 21 mm	20 m ³ /h

Otvori za usisavanje na električnim alatima još nisu oblikovani.

Stoga na raspolaganju stoji adapter (gumena mlaznica ili gumena sponica), koji se skraćivanjem može prilagoditi dotičnom električnom alatu.

Radov

Kod korištenja cijevi za držanje se sa bočnim zračnim kliznikom može prilagoditi učinak usisavanja.

Suho usisavanje.

Usisavati samo sa suhim filtrom, uređajem i priborom, kako se prašina ne bi lijepila i zakorila. Ako se usisavaju čađa, gips, brašno ili slične prašine, onda preporučujemo da se koristi papirna filtarska vrećica.

Papirnu filtarsku vrećicu uvijek koristiti zajedno sa filtarskim patronama.

Mokro usisavanje

Usisavati bez papirnih filtarskih vrećica. Filtarske kazete su prikladne za mokro usisavanje.

Ugrađeni senzor motor isključuje, ako je posuda puna. Uređaj isprazniti kao što je opisano pod > Pražnjenje posude<. Ako se uređaj ne isključi, onda zaštita od ponovnog pokretanja ostaje i dalje uključena.

Tek nakon isključivanja ili ponovnog uključivanja je uređaj opet spreman za rad.

- Prije pražnjenja iz tekućine najprije izvaditi usisno crijevo
- Kroz visoki učinak usisavanja i oblik posude, koji povoljno utiče na strujanje, nakon isključivanja iz crijeva može isteći malo vode.
- Kod suhog usisavanja nakon toga umetnuti suhi filtar. Kod čestog mijenjanja između suhog i mokrog usisavanja preporučamo korištenje još jednog kompleta filtra. Ponajprije filtarske kazete od polijestera.

Čišćenje filtra.

Usisivači su opremljeni sa elektromagnetskim čišćenjem filtra, sa kojim se prilijepljena prašina može otresti sa nabranih filtarskih patrona.

Manualno čišćenje.

Najkasnije kod paljenja prikaza protoka strujanja 2c (upozorna svjetiljka) ili ozvučenja upozornog zvuka tj. kod opadajućeg učinka usisavanja se treba pritisnuti vibriranje (položaj sklopke AC / sklopka ②a).

Automatsko čišćenje (automatika vibriranja)

Ovo je automatski filter za čišćenje.
(položaj sklopke AC / sklopka ②a.)

Pražnjenje posude

Dopušteno samo kod prašina s AGW-vrijednostima $> 1 \text{ mg/m}^3$.

Isključiti ②a, izvaditi utičnicu ⑥, otvoriti rasterske zatvarače ⑨. Gornji dio ① i usisno crijevo izvaditi iz posude ⑦. Posudu nagnuti.

Papirna filtarska vrećica

Za umetanje tj. vađenje filtarske vrećice / vrećice za pražnjenje treba izvaditi gornji dio ①.

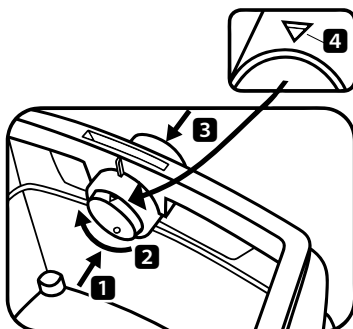
Za to otvoriti bočne zatvarače ⑨.

Papirne filtarske vrećice koristiti samo kod suhog usisavanja.n.

Umetanje papirnih filtarskih vrećica

- Posude od 25 litara
Prirubnicu pomaknuti preko usisnog otvora
- AC 1625 M smiju se pogoniti samo s papirnim filtarskim vrećicama, ako se usisavaju prašine s ekspozicijskim graničnim vrijednostima (AGW) $> 0,1 \text{ mg/m}^3$.

Okretni klizač u usisnom otvoru s oznakom ▲ 4 pomaknuti prema gore, prirubnicu prevući preko usisnog otvora.



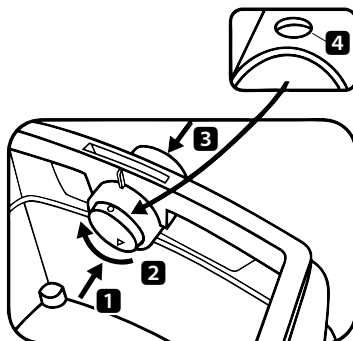
Zamjena papirne filtarske vrećice

Prirubnicu oprezno skinuti s usisnog nastavka i zatvoriti ju. Motor uključiti prije odlaganja, kako bi se mogla usisati eventualno nastala lebdeća prašina.

Usisani materijal zbrinuti prema zakonskim odredbama..

Plastične vrećice za pražnjenje

Samo su M i H usisavači sa specijalnom posudom i okretnim kliznikom u usisnom otvoru, tipovi AC 1625 M, prikladni za korištenje plastičnih vrećica za pražnjenje.. Okretni kliznik u usisnom otvoru s okruglom oznakom ● 4 pomaknuti prema gore.



Posluživanje okretnog kliznika:

Okretni kliznik iznutra potisnuti prema vani 1, okrenuti za 180° 2 (vidi oznaku 4) i izvana opet kroz nastavke za usisavanje potisnuti unutra 3.

Prirubnicu navući preko usisnih nastavaka, gornji otvor vrećice postaviti preko ruba posude..

Zamjena plastične vrećice za pražnjenje.

Ukloniti usisno crijevo, usisni otvor 8 zatvoriti čepom 8a.

Skinuti gornji dio. Motor uključiti prije odlaganja, kako bi se mogla usisati eventualno nastala lebdeća prašina.

Vrećicu za pražnjenje zatvoriti trakom za zatvaranje.

Prirubnicu oprezno skinuti s usisnog otvora i nepropusno zatvoriti.

Usisani materijal zbrinuti prema zakonskim odredbama.

ČIŠĆENJE

Posudu i pribor očistiti sa vodom. Gornji dio 1 očistiti sa vlažnom krpom.

Posudu i pribor pustiti da se osuši.

ODRŽAVANJE

Ako učinak usisavanja usisivača popusti i ako čišćenje filtarskih kazeta ⑫ učinak usisavanja ne povisi (preduvjet, da je posuda ⑦ prazna i da je papirna filtarska vrećica ⑭ zamijenjena), onda j potrebno zamijeniti filtarske kazete ⑫.

Filtarske kazete ⑫ prije zamjene filtra još jednom protresti. Sa kovanicom ili sličnim predmetom zatvarač ⑤ na zaporu ④ okrenuti za 90° suprotno smjeru kazaljke na satu i zapor ④ pritisnuti prema dole. Poklopac rasklopiti i filtarske patrone ⑫ izvaditi prema gore.

Izvađene filtarske kasete odmah zatvoriti u plastičnu vrećicu koja ne propušta prašinu i propisno zbrinuti.

Umetnuti nove filtarske kazete. Poklopac uklopiti prema dole i aretirati laganim pritiskanjem.

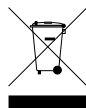
Ukoliko bi filter za prljavštinu ⑬ bio onečišćen, to upućuje na defektne filtarske kazete. Molimo zamijeniti filtarske kazete. Zaštitni filter za motor isprati pod tekućom vodom, osušiti, i opet umetnuti.

Uputa! Senzore razine vode redovito očistite i pregledajte da li imaju naznake oštećenja.

SAMOPOMOĆ KOD SMETNJI

Smetnja	Mogući uzrok	Uklanjanje
Smanjen usisni učinak	Filter prljav Papirnati filter pun Posuda puna Sapnica, cijevi ili crijevo zaštopani	Čišćenje. Izmijeniti. Isprazniti. Čišćenje.
Usisivač se ne pokrenuti	Mrežna utičnica u utičnici? Mreža bez napona? Mrežni kabel u redu? Poklopac dobro zatvoren? Senzor vode isključen? Usisivač u pogonu pripravnosti „AR“?	Staviti na „I“ ili „A“
PE vrećica za pražnjenje i uklanjanje prilijepe se na filter	Pozicija okretnog kliznika neispravna	Okretni kliznik postaviti na poziciju 4 ●
Usisivači klase M ili H: kod postavljenog papirnato filtera prašina u posudi	Pozicija okretnog kliznika neispravna	Okretni kliznik postaviti na poziciju 4 ▲

Ne poduzimajte nikakve daljnje intervencije nego kontaktirajte centralni servis..



Stari uređaji sadržavaju vrijedan materijal koji je prikladan za ponovnu preradbu. Usisivač nemojte stavljati u normalan kućni otpad, već ga stručno uklonite u za to namijenjene sustave, na primjer preko komunalnog otpada..

TEHNIČNI PODATKI

Nazivna moč	1400	W
Največja moč	1600	W
Napetost	110 / 220	V~
Trenutni	6,5	A
Frekvenca	50 / 60	Hz
Pretok zraka*	64	l / s
Podtlak*	260	hPa
Dimenzije (L x H x B)	550 x 550 x 400	mm
Cable	6	m
Napajalni kabel pri sesalnikih z vtičnico:	H07RR-F 3G1,5	
Tlak zvoka	69,0	dB(A)

Nosite varovanje sluha!

Preizkusi

Elektrotehnične preizkuse je treba opraviti po predpisih za preprečevanje nesreč (BGV A3) in po standardu DIN VDE 0701, 1. in 3. del. Te preizkuse je treba po standardu DIN VDE 0702 opravljati redno in po vsakem popravilu ali spremembi. Proizvajalec ali ustrezno usposobljena oseba mora najmanj enkrat letno opraviti tehnični pregled za prah, ki ga sestavljajo na primer preverjanje poškodovanosti filtra, zrakotesnosti sesalnika in pravičnega delovanja krmilne priprave

CE-Registracija Izjava

Na svojo odgovornost izjavljamo, da je ta izdelek skladen z direktivami ES in zadevnimi standardi: Direktiva o strojih 2006/42/ES s spremembami, Direktiva o elektromagnetni združljivosti 2004/108/ES s spremembami
Sesalniki so bili uspešno preizkušeni po standardu IEC/EN 60335-2-69.

Paul van Beek
General Manager

Ruben Bernaert
Product Manager

ITW Heger
Industriepark
Cardijnlaan 3
B-8600 Diksmuide
Belgien

SL

PRED UPORABO

Pri odstranjevanju embalaže preverite, ali so priloženi vsi potrebni deli in ali je paket nepoškodovan.

Pred uporabo je treba uporabnikom priskrbeti informacije, navodila in izobraževanje v zvezi z uporabo sesalnika ter snovi, za katere se bo uporabljal, vključno z varnim postopkom za odstranjevanje zbranega materiala. .

Področja uporabe

Za mokro in suho sesanje.

Sesalci za prah kat. M so uporabni za vsesavanje/ izsesavanje suhega nevnetljivega praha, nevnetljivih tekočin, lesnega praha in nevarnega praha z AGW's $\geq 0,1 \text{ mg/m}^3$.

Sesalci za prah kat. H so uporabni za vsesavanje/ izsesavanje suhega nevnetljivega praha, delčkah, ki povzročajo raka in bolezni, ter nevnetljivih tekočin, lesnega praha in in za zdravlje nevarnega praha z AGW's $< 0,1 \text{ mg/m}^3$.

Zagon

Aparat vklopite/izklopite s stikalom ②a v zgornjem delu ② (oz. preklopite v avtomatski način obratovanja).

Krmilno polje.

Odvisno od opreme lahko izbirate naslednje funkcije in nastavitve.

0 = sesalnik >izkl.<

I = sesalnik >vkl.<

A = pripravljenost za samodejni vklop/izklop.
(Električno orodje vklopi in izklopi sesalnik)

AC = pripravljeno obratovanje kot »A« s samodejnim čiščenjem filtra.
Vtičnica 2b je predvidena za priključevanje električnega orodja..

Pozor! Električno orodje mora pri priključevanju biti izklopljeno. Vtičnica se pri vtaknjemem omrežnem vtiču vedno nahaja pod napetostjo neodvisno od položaja stikala. V položaju stikala "0" bi se lahko vtičnica uporabljala kot podaljševalni vod (npr. za svetilko).

Priključna vrednost: sesalnik in priključeni aparat maks. 16 A. Z regulatorjem števila vrtljajev ②d se sesalna moč lahko brezstopenjsko prilagaja.

Stikalo za predizbiro dela ②d za signal minimalne vsebine (hupa in luč) pri sesalnikih razreda »M« in »H« V načinu "A" ali "AC" se odvisno od premera gibke cevi opravljajo naslednje nastavitve:

Ni regulacije števila vrtljajev. Sesalnik vedno dela z maks. številom vrtljajev.

Notranji premer cevi	Položaj stikala
Ø 35 mm	70 m ³ /h
Ø 27 mm	40 m ³ /h
Ø 21 mm	20 m ³ /h

Sesalne odprtine električnih orodij še niso normirane. Zato je na voljo adapter (gumijasta šoba ali gumijasta objemka), ki ga s skrajševanjem lahko prilagodite vsakemu električnemu orodju.

Delo

Ob uporabi ročaja lahko s stranskim zračnim drsnikom prilagodite sesalno moč.

Suho sesanje:

Sesajte le s suhim filtrom, aparatom in priborom, da se prah ne prime in ne zaskorji. Če sesate čad, cement, mavec, moko ali podobne prahove, priporočamo vam uporabo papirnate filtrske vrečke.

Papirnato filtrsko vrečko vedno vstavljajte skupaj s filtrskim vložkom.

Mokro sesanje

Sesajte brez papirnate filtrske vrečke. Za mokro sesanje so primerne filtrske kasete. Vgrajeni senzor izklopi motor, če je posoda napolnjena.

Aparat izpraznite v skladu z opisom pod točko >Praznjenje posode< Če se aparat ne izklopi, še vedno deluje zaščita pred ponovnim zagonom. Aparat je ponovno pripravljen za obratovanje šele po izklopu in vnovičnem vklopu.

- Pred praznjenjem najprej odstranite sesalno cev iz tekočine.
- Zaradi visoke sesalne moči in aerodinamične oblike posode lahko po izklopu iz gibke cevi steče nazaj nekaj vode.
- Pri takojšnjem suhem sesanju vstavite suhe filtre. Pri pogosti menjavi med suhim in mokrim sesanjem priporočamo uporabo drugega filtrskega sklopa, predvsem poliestrskih filtrskih kaset.

Čiščenje filtra.

Sesalniki so opremljeni z elektromagnetnim čiščenjem filtra, s pomočjo katerega se oprjeti prah stresa z vložkov gobastega filtra.

Ročno čiščenje.

To je samodejno čiščenje filtra (položaj stikala AC/stikalo 2a)

Samodejno čiščenje (samodejno stresanje).

Ta filter čiščenje je avtomatsko. (položaj stikala AC/stikalo 2a).

Praznjenje posode

Dopustno le pri prahu z AGW's > 1mg/m³.

Izklopite ②a, izvlecite vtič ⑥, odprite zaskočna zapirala ⑨. Zgornji del ① in sesalno gibko cev snemite s posode. Iztresite posodo.

Papirnata filtrska vrečka.

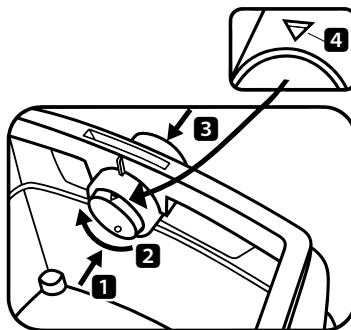
Za vstavljanje oz. odstranjevanje filtrske vrečke/izpraznjevalne vrečke snemite zgornji del ①.

V ta namen odprite stranska zapirala ⑨. Papirnato filtrsko vrečko uporabljajte le za suho sesanje

Vstavljanje papirnate filtrske vrečke

- 25-litrška posoda:
Prirobnico potisnite preko sesalne odprtine
- AC 1625 M se smejo uporabljati le s papirnatimi vrečkami, kadar se vsesava prah z mejnimi eksplozivnimi vrednostmi (AGW's) > 0,1mg/m³.

Postavite vrtljivi drsnik v sesalno odprtino z oznako ▲ 4 navzgor, prirobnico potisnite nad sesalno odprtino.

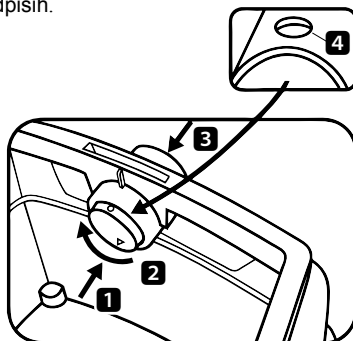


Zamenjava papirnate filtrske vrečke

Prirobnico previdno potegniti z nastavka za vsesavanje in prirobnico zapreti.
Motor pred spravljanjem vključiti da bi se lahko vsesal morebitni lebdeči prah.
Posesani material odstraniti po zakonskih predpisih.

Plastična izpraznjevalna vrečka.

Za uporabo plastičnih vrečk za praznjenje so ustrezni le sesalci M- in H s specialno posodo in z vrtilnim drsnikom v vsesovalni odprtini z okroglo markacijo tipa AC 1625 M
● 4 premakniti navzgor.



Uporaba vrtiljivega drsnika:

Vrtljivi drsnik pritisnite od znotraj navzven 1, obrnite ga za 180° 2 (poglejte oznako 4) in ga od zunaj skozi sesalni nastavek ponovno pritisnite navznoter 3.

Prirobnico potisnite preko sesalnega nastavka, zgornjo odprtino vrečke položite preko roba vrečke

Zamenjava plastične izpraznjevalne vrečke

Odstranite sesalno cev, sesalno odprtino ⑤ zaprite z zamaškom ⑥a.

Snemite zgornji del. Motor pred odlaganjem vklopite, da bi se lahko vsesal lebdeči prah.

Izpraznjevalno vrečko zaprite z zapiralnim trakom. Prirobnico previdno potegnite s sesalne odprtine in jo tesno zaprite.

Posesani material odstranite v skladu z zakonskimi določili.

Čiščenje

Posodo in pribor čistite z vodo. Zgornji del ① obrišite z vlažno krpo.
Pustite, da se posoda in pribor osušita.

Vzdrževanje

Če sesalna moč sesalnika upada in če se po čiščenju filtrske kasete ⑫ ne zviša (pod pogojem da je posoda ⑦ izpraznjena in papirnata filtrska vrečka ⑭ zamenjana), je treba zamenjati filtrske kasete ⑫.

Filtrske kasete ⑫ pred zamenjavo filtra še enkrat iztesite. S kovancem ali podobnim predmetom obrnite zapiralo ⑤ na zapahu ④ za 90° v smeri urinih kazalcev in zapah ④ potisnite nazaj. Odprite pokrov in filtrske vložke ⑫ potegnite navzgor.

Ven vzete filterske kazete takoj zapreti v plastično vrečko in jo predpisno odstraniti.



Vstavite nove filtrske kasete. Zaprite pokrov in ga zaskočite z rahlim pritiskom.

Če je filter za zaščito motorja ⑬ umazan, to nakazuje pokvarjene filtrske kasete.

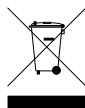
Prosimo vas, da zamenjate filtrske kasete. Filter za zaščito motorja izperite pod tekočo vodo, ga posušite in ponovno vstavite

Opomba! Redno čistite tipala ravni vode in jih pregledujte, ali kažejo znake poškodb.

SAMOPOMOČ V PRIMERU MOTENJ

Motnja	Mogoči vzrok	Odpravljanje
Popuščanje moči sesanja	Zamazan filter Papirnati filter je poln Posoda je polna Šoba, cev ali gibka cev so zamašeni	Očistite Zamenjajte Izpraznite Očistite
Sesalnik ne steče	Je vtič v vtičnici? Je prisotna omrežna napetost? Je napajalni kabel brezhiben? Je pokrov pravilno zaprt? Je tipalo za vodo izključeno? Je sesalnik v pripravljenosti v načinu „AR“?	Preklopite v način „I“ ali „A“
PE-vrečka za praznjenje in odstranjevanje se je prisejala na filtre	Napačen položaj vrtljivega drsnika	Vrtljivi drsnik preklopite v položaj 
Sesalnik razreda M ali H: pri vstavljenem papirnatem filtru prah v posodi	Napačen položaj vrtljivega drsnika	Vrtljivi drsnik preklopite v položaj 

Ne opravite nobenih dodatnih ukrepov, namesto tega se obrnite na delavnico osrednje službe za pomoč strankam.



Stari aparati so sestavljeni iz dragocenih materialov, ki so primerni za ponovno predelavo. Aparatov zato ne odlagajte med običajne hišne odpadke, ampak jih oddajte na zbirna mesta, ki so povezana s sistemi za strokovno odlaganje, na primer Vaši komunalni službi za odlaganje odpadnih predmetov..

ТЕХНИЧЕСКИЕ ХАРАКТЕРИСТИКИ

Номинальная мощность	1400	Герц
Макс. мощность	1600	Герц
Напряжение	110 / 220	Вольт~
Ток	6,5	А
Частота	50 / 60	Герц
Поток воздуха*	64	л / с
Разрежение*	260	гПа/МВ
Размеры (L x H x B)	550 x 550 x 400	mm
Кабель	6	m
Соединительный провод для пылесосов с розеткой:	H07RR-F 3G1,5	
Акустическая нагрузка	69,0	дБ (А)

Одежда средства защиты органов слуха!

Испытания

Электротехнические испытания проводятся в соответствии с положением о предупреждении несчастных случаев (BGV A3) и в соответствии с директивами DIN VDE 0701 Часть 1 и Часть 3. Данные испытания, в соответствии с директивами DIN VDE 0702, необходимо проводить регулярно, а также после каждой наладки (ремонта) или после внесения изменений.

У производителя или у специалиста, прошедшего соответствующее обучение необходимо проводить техническую проверку не реже одного раза в год напр., на наличие поврежденных фильтров, на герметичность пылесоса, на работоспособность контрольных устройств

CE-Регистрация заявления

Со всей ответственностью мы заявляем, что настоящий продукт соответствует нормам и основным положениям Европейского Сообщества (ЕС): нормам по механике 2006/42/EG с изменениями; нормам по электромагнитной совместимости 2004/108/EG с изменениями
Пылесосы успешно прошли проверку в соответствии с требованиями IEC/EN 60335-2-69.

Paul van Beek
General Manager

Ruben Bernaert
Product Manager

ITW Heger
Industriepark
Cardijnlaan 3
B-8600 Diksmuide
Belgien



ПЕРЕД ЭКСПЛУАТАЦИЕЙ

При распаковке прибора обратите внимание на комплектность и наличие повреждений, возникших вследствие транспортировки.
Перед началом эксплуатации пользователь должен быть проинформирован и проинструктирован по использованию пылесоса и в отношении веществ, для которых может быть использован пылесос, включая надежные способы устранения абсорбированных материалов.

Область применения

Для сухой и влажной уборки.

Пылесос класса пыли „М“ предназначен для уборки сухой и не воспламеняющейся пыли, не воспламеняющихся жидкостей, древесной пыли и опасной пыли с предельным показателем концентрации вредных веществ $> 0,1 \text{ мг / м}^3$

Пылесос класса пыли „Н“ предназначен для уборки сухой и не воспламеняющейся пыли, канцерогенных и патогенных частиц, а также не воспламеняющихся жидкостей, древесной пыли и опасной для здоровья человека пыли с предельным показателем концентрации вредных веществ $< 0,1 \text{ мг / м}^3$.

Ввод в эксплуатацию

Устройство включается, выключается или включается в автоматический режим переключателем ②а на верхней секции ① устройства

Настройки (используйте чертежи).

В зависимости от модели можно выбрать следующие функции и настройки.

0 = пылесос >выключен<

I = пылесос >включен<

A = автоматическая система Вкл./Выкл. пылесоса (Пылесос включается/ выключается подсоединенным к нему электроинструментом)

АС = Автоматический режим в комбинации с автоматической очисткой фильтра

Розетка ②b на устройстве предусмотрена для подключения электроинструмента.

Внимание! Электроинструмент при подключении к пылесосу должен быть выключен. Если шнур питания пылесоса вставлен в сетевую розетку, то розетка на устройстве находится под напряжением, независимо от положения переключателя. При положении переключателя в режиме >0< пылесос может использоваться в качестве удлинителя (например, для фонаря).

Нагрузка: пылесос и подключаемый электроинструмент вместе должны потреблять не более 16 А.

Бесступенчатое регулирование мощности всасывания осуществляется с помощью переключателя мощности ②d.

Переключатель настройки ②d предназначен для индикации минимального объема потока воздуха (акустический сигнал и лампочка) у пылесосов класса „М“ и „Н“.

В режиме „А“ или „АС“ предусматриваются следующие настройки в зависимости от диаметра шланга:

Внутренний диаметр шланга	Позиция переключателя
Ø 35 mm	70 м ³ /час
Ø 27 mm	40 м ³ /час
Ø 21 mm	20 м ³ /час

У пылесосов „Н“ и „М“ отсутствует регулятор мощности, пылесос работает постоянно в максимальном режиме мощности.

Отверстие электроинструмента, к которому присоединяется шланг, не стандартно, поэтому применяется адаптер – переходник (резиновая насадка или резиновая втулка), который позволяет подобрать размер отверстия для вашего электро- инструмента.

Эксплуатация

При использовании трубки – держателя можно регулировать мощность всасывания за счет задвижки на трубке.

Сухая уборка

Для сухой уборки используйте только фильтр и принадлежности, предназначенные для сухой уборки, чтобы избежать прилипания пыли. Если пылесос используется для уборки саж, цемента, гипса и различных порошков, то рекомендуется использовать бумажный фильтр.

Бумажный фильтр должен всегда использоваться вместе с кассетным фильтром.

Влажная уборка

Пылесос следует применять без бумажного фильтра. Для влажной уборки предусмотрен кассетный фильтр.

Встроенный сенсорный датчик выключает мотор, когда контейнер пылесоса полный. Освободите устройство от содержимого, как описано в пункте >Чистка контейнера<. Блокировка включения будет работать до тех пор, пока устройство не будет выключено. Чтобы пылесос заработал, надо сначала его выключить, а затем заново включить.

- Всегда вынимайте сначала из жидкости шланг перед очисткой контейнера
- Из-за конфигурации контейнера и большой силы всасывания при отключении пылесоса некоторое количество воды может вылиться из шланга.
- При сухой уборке используйте фильтр для сухой уборки. При частом варьировании типов влажной и сухой уборки рекомендуется использовать второй комплект фильтра в качестве замены, предпочтительно полиэфирный кассетный фильтр.



Очистка фильтра

Устройство оснащено функцией электромагнитной очистки, которая позволяет очистить кассетный фильтр от налипшей пыли.

Ручная очистка фильтра

Когда загорается индикатор объема потока воздуха ②с (лампочка) или раздается звуковой сигнал и сила всасывания уменьшается, необходимо включить функцию очистки фильтра (переключатель ②а в режиме AC).

Автоматическая очистка фильтра

Это автоматический фильтр очистки.
(переключатель ②а в режиме AC)

Чистка контейнера

Допускается, только если пыль с предельным показателем концентрации вредных веществ $>1 \text{ мг / м}^3$.

Выключите устройство ②а, отсоедините шнур питания ⑥, откройте защелки ⑨, снимите верхнюю секцию ① и выньте шланг из контейнера ⑦, затем освободите контейнер от содержимого.

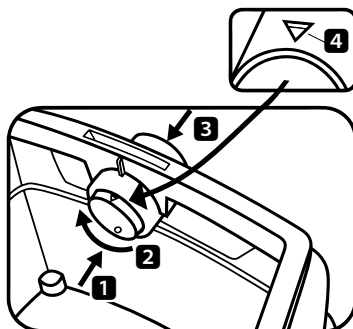
Бумажный фильтр

Чтобы вставлять или вынимать фильтр, надо снять верхнюю секцию (Позиция ①), затем открыть защелки (Позиция ⑨). Бумажный фильтр используется только для сухой уборки.

Крепление фильтра

- Для пылесоса с контейнером, объемом 25. Надеть фланец на отверстие для шланга.
- Модели AC 1625 M следует использовать только с бумажным фильтром, если пыль имеет предельный показатель концентрации вредных веществ $> 0,1 \text{ мг/м}^3$.

Установите задвижку в отверстие всасывания в вертикальное положение ▲ ④. Наденьте фланец на отверстие для шланга



Замена бумажного фильтра

Фланец осторожно снять со штуцера, закрыть фланец, включить мотор, прежде чем поставить моторную секцию на пол, чтобы устранить всю оставшуюся пыль.

Содержимое фильтра необходимо устранять в соответствии с предписаниями законодательства.

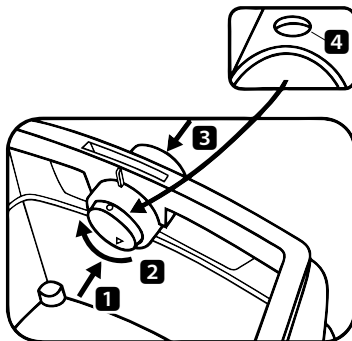
Пластиковый мешок

Только в пылесосах „М“ и „Н“ со специальным контейнером и задвижкой в отверстии для шланга – моделях АС 1625 М – используются пластиковые мешки..

Маркировку на задвижке в отверстии для шланга следует установить наверх в позицию ● (рис. 4).

Использование задвижки:

Вставьте задвижку во внутрь отверстия 1, поверните ее на 180° 2 (см. рис. 4) и вновь надавите на нее внутри отверстия всасывания с внешней стороны пылесоса 3.



Наденьте фланец на штуцер отверстия для шланга, вставьте мешок в контейнер, разместив края мешка на боковые стенки контейнера.

Замена пластикового мешка.

Снять шланг, закрыть пробкой 8а отверстие для шланга 8. Снять верхнюю секцию. Включить мотор, прежде чем Вы поставите секцию с мотором на пол, чтобы устранить оставшуюся пыль.

Связать мешок специальной лентой (которая прилагается в комплекте).

Осторожно снять фланец с отверстия для шланга и закрыть его.

Фильтр с содержимым следует удалить в соответствии с положениями, установленными законодательством..

ЧИСТКА

Рекомендуется чистить контейнер и принадлежности водой, верхнюю секцию следует протирать влажным полотенцем и перед очередным использованием рекомендуется высушить контейнер и принадлежности. 1

RUS

ТЕХНИЧЕСКОЕ ОБСЛУЖИВАНИЕ

Если сила всасывания пылесоса уменьшается и если очистка кассетного фильтра ⑫ не увеличивает больше мощность всасывания (при условии, что контейнер ⑦ не забит и бумажный фильтр ⑭ заменен), то необходимо заменить кассетный фильтр ⑫.

Необходимо очистить кассетный фильтр ⑫ перед его заменой. Для этого надо повернуть монеткой или другим похожим предметом замок ⑤ на ригеле ④ на 90° против часовой стрелки и нажать на ригель ④ во внутрь, чтобы он одной стороной ушел вглубь. Открыть крышку и вынуть патроны фильтра ⑫.

Извлеченный кассетный фильтр следует сразу упаковать в герметичный пластмассовый мешок и устранить в соответствии с предписаниями. Вставить новые кассеты с фильтром. Закрывать крышку и легким нажатием во внутрь вернуть ригель в исходное положение

Если защитный фильтр в моторе загрязнен ⑬, то следует поменять кассетный фильтр на новый, так как загрязнение моторного фильтра указывает на неисправность кассетного фильтра. Защитный фильтр в моторе следует промыть водой, высушить и вновь использовать.

УКАЗАНИЕ! Регулярно очищайте датчик уровня воды и проверяйте на наличие повреждений

САМОСТОЯТЕЛЬНОЕ УСТРАНЕНИЕ НЕИСПРАВНОСТЕЙ

Неполадка	Возможная причина	Устранение
Уменьшение мощности всасывания	Загрязнен фильтр Бумажный мешок заполнен Контейнер заполнен Насадка, трубка или шланг забились	Очистите фильтр Замените бумажный мешок. Очистите контейнер Очистите
Пылесос не включается	Вилка в розетке? Есть напряжение в сети? Сетевой кабель в порядке? Крышка правильно закрыта? Датчик воды выключен? Пылесос в режиме готовности «AR»?	Переставьте на «I» или «A»
Полиэтиленовый мешок прилипает к фильтру	Выбрана неправильная позиция поворотной заслонки	Поставьте поворотную заслонку в позицию ③ ●
Пылесосы класса M или H: при замененном бумажном фильтре пыль в контейнере	Выбрана неправильная позиция поворотной заслонки	Поставьте поворотную заслонку в позицию ④ ▲ stellen

Не предпринимайте никаких других действий, обращайтесь в центральный сервисный центр



В старых приборах содержатся драгоценные материалы, пригодные для переработки. Не выбрасывайте пылесос вместе с обычным бытовым мусором. Используйте для этого специальные места для сбора аналогичных отходов

ΤΕΧΝΙΚΑ ΧΑΡΑΚΤΗΡΙΣΤΙΚΑ

Ονομαστική ισχύς	1400	W
Μέγιστη ισχύς	1600	W
Τάση	110 / 220	V~
Τρέχουσες	6,5	A
Συχνότητα	50 / 60	Hz
Ροή αέρα*	64	l / s
Υποπίεση*	260	hPa
Διαστάσεις (L x H x B)	550 x 550 x 400	mm
Καλώδιο	6	m
Καλώδιο σύνδεσης για αναρροφητήρες με υποδοχή ρεύματος:	H07RR-F 3G1,5	
Ηχητική πίεση	69,0	dB(A)

Να φοράτε ωτοασπίδες !

Έλεγχοι

Οι ηλεκτροτεχνικοί έλεγχοι πρέπει να διενεργούνται σύμφωνα με τις προδιαγραφές του κανονισμού πρόληψης ατυχημάτων (BGV A3) και σύμφωνα με το πρότυπο DIN VDE 0701 Μέρος 1 και Μέρος 3. Οι έλεγχοι αυτοί πρέπει να διενεργούνται σύμφωνα με το πρότυπο DIN VDE 0702 σε τακτικά διαστήματα και είναι απαραίτητοι μετά από επισκευή ή τροποποίηση της συσκευής.

Πρέπει να διενεργείται τεχνικός έλεγχος που αφορά τη σκόνη από τον κατασκευαστή ή από ένα εκπαιδευμένο άτομο τουλάχιστον μία φορά το χρόνο, π. χ. ως προς τη φθορά του φίλτρου, τη στεγανότητα του αναρροφητήρα, τη λειτουργία των διατάξεων ελέγχου.

CE-Καταχώρησης δήλωσης

Δηλώνουμε με αποκλειστική μας ευθύνη ότι το παρόν προϊόν συμμορφώνεται προς τις Οδηγίες της ΕΚ και τα σχετικά πρότυπα: Οδηγία 2006/42/ΕΚ περί μηχανών με τις τροποποιήσεις της, Οδηγία 2004/108/ΕΚ για την ΗΜΣ με τις τροποποιήσεις της. Οι αναρροφητήρες έχουν υποβληθεί σε έλεγχο με επιτυχία σύμφωνα με το πρότυπο IEC/EN 60335-2-69

Paul van Beek
General Manager

Ruben Bernaert
Product Manager

ITW Heger
Industriepark
Cardijnlaan 3
B-8600 Diksmuide
Belgien

EL

ΠΡΙΝ ΑΠΟ ΤΗ ΧΡΗΣΗ

Κατά τη αφαίρεση της συσκευασίας ελέγξτε τη συσκευή ως προς αρτιότητά της και ως προς την ύπαρξη φθορών που ενδεχομένως προκλήθηκαν κατά τη μεταφορά. Πριν από τη χρήση οι χρήστες πρέπει να ενημερωθούν και να εκπαιδευτούν πάνω στη χρήση του αναρροφητήρα και των ουσιών για τις οποίες μπορεί να χρησιμοποιηθεί. Επιπλέον πρέπει να ενημερωθούν και να εκπαιδευτούν πάνω στην ασφαλή διαδικασία απόρριψης του συλλεγόμενου υλικού.

Τομέας χρήσης

Για υγρή και στεγνή αναρρόφηση.

Οι απορροητήρες για κατηγορία σκόνης M είναι κατάλληλοι για την αναρρόφηση στεγνής, και μη εύφλεκτων υγρών, μη εύφλεκτων υγρών, σκόνης ξύλου και επικίνδυνης σκόνης με τιμή AGW (Οριακή τιμή στή Θέση εργασίας) $\geq 0,1 \text{ mg/m}^3$.

Οι απορροητήρες για κατηγορία σκόνης H είναι κατάλληλοι για την αναρρόφηση στεγνής, και μη εύφλεκτων υγρών, καρκινογόνων και επιβλαβών για την υγεία σωματιωδών, μη εύφλεκτων υγρών, σκόνης ξύλου και επικίνδυνης για την υγεία σκόνης με τιμή AGW (Οριακή τιμή στή Θέση εργασίας) $< 0,1 \text{ mg/m}^3$.

Έναρξη λειτουργίας

Με τον διακόπτη ②a στο πάνω τμήμα ① ενεργοποιείτε/ απενεργοποιείτε τη συσκευή (ενδεχομένως ενεργοποιείτε την αυτόματη λειτουργία).

Στεγνή αναρρόφηση

Ανάλογα με τον εξοπλισμό επιλέγονται οι ακόλουθες λειτουργίες και ρυθμίσεις..

0 = απορροφητήρας >σβηστός<

I = απορροφητήρας >αναμμένος<

A = λειτουργία ετοιμότητας για την αυτόματη ενεργοποίηση/απενεργοποίηση. (ο απορροφητήρας ανάβει και σβήνει μέσω του ηλεκτρικού εργαλείου)

AC = Λειτουργία ετοιμότητας όπως στο ψA“ plus αυτόματος καθαρισμός φίλτρου.

Η μπρίζα ②b έχει προβλεφτεί για τη σύνδεση ενός ηλεκτρικού εργαλείου.

Προσοχή! Το ηλεκτρικό εργαλείο πρέπει να είναι κατά τη σύνδεση απενεργοποιημένο. Η μπρίζα βρίσκεται πάντα υπό τάση όταν είναι μέσα ο ρευματολήπτης, ανεξάρτητα από τη θέση του διακόπτη.

Στη θέση διακόπτη „0“ είναι έτσι δυνατόν να χρησιμοποιηθεί η μπρίζα ως καλώδιο επέκτασης (π.χ. για φωτιστικά). Τιμή τάσης της σύνδεσης: απορροφητήρας και συνδεδεμένη συσκευή μάξ. 16 A. Με το ρυθμιστή αριθμού στροφών ②d μπορεί να προσαρμοστεί η απόδοση αναρρόφησης χωρίς βαθμίδες.

Διακόπτης προ-επιλογής ②d για σήμα ελάχιστου όγκου (κόρνα και φώτα) σε απορροφητήρες της κατηγορίας "M" και "H".

Στη λειτουργία „A“ ή „AC“ προγραμματίζεται, σε εξάρτηση με τη διάμετρο του λάστιχου, η ακόλουθη ρύθμιση:

Δεν πραγματοποιείται ρύθμιση στροφών περιστροφής. Ο απορροφητήρας λειτουργεί πάντα με τον ανωτ. αριθμό στροφών

Εσωτερική διάμετρος εύκαμπτου σωλήνα	Θέση διακόπτη
Ø 35 mm	70 m³/h
Ø 27 mm	40 m³/h
Ø 21 mm	20 m³/h

Οι σπές αναρρόφησης των ηλεκτρικών εργαλείων δεν έχουν ακόμα τυποποιηθεί. Συνεπώς έχετε στη διάθεσή σας τον προσαρμογέα (λαστιχένιο ακροφύσιο ή λαστιχένια μούφα) ο οποίος μπορεί μέσω σμίκρυνσης να προσαρμοστεί στο εκάστοτε ηλεκτρικό εργαλείο.

Εργασία

Κατά τη χρήση του σωλήνα-χειρολαβή, μπορεί να προσαρμοστεί η απόδοση αναρρόφησης με το δευτερεύον διάφραγμα.

Στεγνή αναρρόφηση

Απορροφάτε μόνο με στεγνό φίλτρο, συσκευή και αξεσουάρ για να μην κολλάει η σκόνη και κάνει κρούστα. Για αναρρόφηση κάπνας, τιμέντου, γύψου, αλευριού ή παρόμοιας σκόνης συνιστούμε τη χρήση μιας χαρτοσακούλας-φίλτρο. Χρησιμοποιείτε τη χαρτοσακούλα-φίλτρο πάντα σε συνδυασμό με φυσίγγες φίλτρου.

Υγρή αναρρόφηση

Απορροφάτε δίχως χαρτοσακούλα-φίλτρο. Κατάλληλες για την υγρή αναρρόφηση είναι οι κασέτες με φίλτρο.

Σε περίπτωση που γεμίσει το δοχείο, απενεργοποιεί ο ενσωματωμένος αισθητήρας τον κινητήρα. Αδειάστε τη συσκευή όπως περιγράφεται κάτω, Αν δεν απενεργοποιηθεί η συσκευή, συνεχίζει να είναι σε ισχύ η προστασία επαναλειτουργίας. Αφού γίνει πρώτα απενεργοποίηση και ενεργοποίηση της συσκευής εκ νέου, είναι πάλι έτοιμη για χρήση

- Πριν την εκκένωση βγάλτε το λάστιχο αναρρόφησης από την υγρή ουσία.
- Λόγω της υψηλής απόδοσης αναρρόφησης και της ευνοϊκής φόρμας ροής του δοχείου, μπορεί να τρέξει λίγο νερό από το λάστιχο μετά τη διακοπή τής λειτουργίας
- Για μια στεγνή αναρρόφηση κατόπιν, τοποθετείτε ένα στεγνό φίλτρο. Σε περίπτωση συχνής εναλλαγής μεταξύ στεγνής και υγρής αναρρόφησης συνιστούμε τη χρήση ενός δεύτερου σετ φίλτρων, κατά προτίμηση κασέτες φίλτρων πολυεστέρα

Καθαρισμός φίλτρου.

Οι απορροφητήρες είναι εξοπλισμένοι μ' ένα ηλεκτρομαγνητικό σύστημα καθαρισμού φίλτρου με το οποίο μπορεί να αφαιρείται η κολλημένη σκόνη από τη φυσίγγη του πτυχωτού φίλτρου μέσω δόνησης.

Χειροκίνητος καθαρισμός

Το αργότερο κατά το φωτισμό της ένδειξης όγκου ροής ②c (προειδοποιητική λυχνία) ή την αντήχηση του προειδοποιητικού ήχου και κατά τη μείωση της απόδοσης αναρρόφησης θα έπρεπε να ενεργοποιηθεί ο δονητής (θέση διακόπτη AC/διακόπτης ②a).

Αυτόματος καθαρισμός (αυτόματη δόνηση.)

Αυτό είναι αυτόματο φίλτρο καθαρισμού.
(θέση διακόπτη ②a AC/διακόπτης).

Εκκένωση δοχείου

Επιτρέπεται η χρήση μόνο για σκόνες με οριακές τιμές στη Θέση εργασίας > 1 mg/m³.

Απενεργοποιείτε ②a, βγάzte το φιν ⑥ από την μπρίζα, ανοίγετε τα κλειστρα ασφάλισης ⑨. Αφαιρείτε το πάνω τμήμα ① και το λάστιχο αναρρόφησης από το δοχείο ⑦. Αδειάζετε το δοχείο.

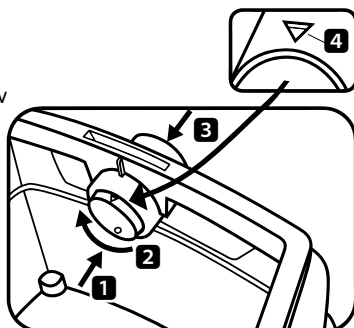
Χαρτοσακούλα-φίλτρο

Για να τοποθετήσετε ή να αφαιρέσετε τη σακούλα-φίλτρο/σακούλα εκκένωσης βγάλτε το πάνω τμήμα ①.
Προς τούτο ανοίγετε τα πλαϊνά κλειστρα ⑨. Χρησιμοποιείτε τη χαρτοσακούλα-φίλτρο μόνο κατά τη στεγνή αναρρόφηση.

Τοποθέτηση της χαρτοσακούλας-φίλτρο.

- Δοχείο των 25 λίτρων
Ωθήστε τη φλάντζα πάνω από την οπή αναρρόφησης
- AC 1625 M επιτρέπεται να χρησιμοποιούνται μόν με χαρτοσακούλες-φίλτρα όταν απορροφούνται σκόνες με οριακές τιμές κινδύνου έκρηξης (AGW) > 0,1 MG/M³.

Θέτετε την περιστροφική δικλειδα ολίσθησης στην οπή αναρρόφησης με το μαρκάρισμα ▲ ④ προς τα πάνω, ωθώντας τη φλάντζα πάνω από την οπή αναρρόφησης.



Αλλαγή της χαρτοσακούλας-φίλτρο.

Τραβάτε προσεκτικά τη φλάντζα έξω από στόμιο αναρρόφηση και την κλείνετε. Ενεργοποιήστε τον κινητήρα πριν τη φύλαξη, ώστε να αναρροφηθεί η ενδεχομένως αιωρούμενη σκόνη.

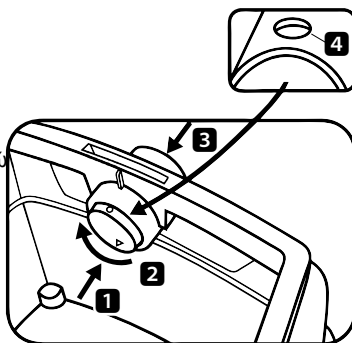
Διάθεση στα απορρίμματα σύμφωνα με τις νόμιμες διατάξεις.

Πλαστική σακούλα εκκένωσης

Μόνο οι απορροφητήρες M και H με ειδικά δοχεία και τους περιστρεφόμενες δικλεις στο άνοιγμα αναρρόφησης τύπου AC 1625 M. Είναι κατάλληλοι για τη χρήση πλαστικής εκκένωσης..

Τοποθετήστε την περιστροφική δικλεια στο άνοιγμα αναρρόφησης με την κόκκινη σήμανση σήμανση ● 4 προς τα πάνω.

Χειρισμός της περιστροφικής δικλεις ολίσθησης:



πιέστε την περιστροφική δικλεια ολίσθησης από μέσα προς τα έξω 1, περιστρέφοντας κατά 180° 2 (βλέπε μαρκάρισμα 4) και από έξω πιέζετε μέσω των στομιών αναρρόφησης πάλι προς τα μέσα 3.

Ωθήστε τη φλάντζα πάνω από τα στόμια αναρρόφησης τοποθετώντας το άνω μέρος του ανοίγματος της σακούλας πάνω στο χείλος του δοχείου.

Αλλαγή της πλαστικής σακούλας εκκένωσης

Απομακρύνετε το λάστιχο αναρρόφησης κλείνοντας την οπή αναρρόφησης 8 με το πώμα (θέση 8a).

Βγάξτε το πάνω τμήμα. Πριν την εναπόθεση ενεργοποιείτε τον κινητήρα. Κλείνετε τη σακούλα εκκένωσης με μια κορδέλα.

Τραβάτε τη φλάντζα προσεκτικά από την οπή αναρρόφησης και την κλείνετε αεροστεγανά. Εξουδετερώνετε το περιεχόμενο της αναρρόφησης σύμφωνα με τις νόμιμες διατάξεις.

Καθαρισμός

Καθαρίζετε δοχείο και αξεσουάρ με νερό. Σκουπίζετε το πάνω τμήμα 1 με ένα μουσκεμένο πανί.

Αφήνετε δοχείο και αξεσουάρ να στεγνώσουν

Συντήρηση.

Μειώνετε η απόδοση αναρρόφησης του απορροφητήρα, και ακόμη και ο καθαρισμός της κασέτας ⑫ δεν αυξάνει πια την απόδοση (προυπόθεση, το δοχείο ⑦ έχει αδειαστεί και η χαρτοσακούλα- φίλτρο ⑭ είναι αλλαγμένη), τότε θα έπρεπε να αντικαταστήσετε τις κασέτες ⑫

Δονήστε ακόμη μια φορά τις κασέτες ⑫ πριν από την αλλαγή του φίλτρου. Με ένα κέρμα ή ένα παρεμφερές αντικείμενο στρέψτε το σφάλισμα ⑤ στο σύρτη ④ κατά 90° αριστερόστροφα και πιέξτε το σύρτη ④ προς τα πίσω. Ανοίγεται το κάλυμμα και βγάζετε τις κασέτες ⑫ προς τα πάνω.

Κλείνετε αμέσως ερμητικά τις αφαιρεθείσες κασέτες σε πλαστική αεροστεγαν ησακούλα και τις διαθέτετε σωστά στα απορρίμματα. Τοποθετήστε νέες κασέτες με φίλτρο. Κλείνετε το κάλυμμα και πιέζοντας ελαφρώς ασφαλίσετε

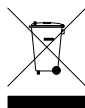
Σε περίπτωση που είναι λερωμένο το φίλτρο προστασίας κινητήρα ⑬, είναι αυτό μια υπόδειξη για ελαττωματικές κασέτες φίλτρων. Παρακαλώ αντικαταστήστε τις κασέτες φίλτρων. Κάτω από τρεχούμενο νερό πλένετε το φίλτρο προστασίας κινητήρα, το στεγνώνετε και το χρησιμοποιείτε πάλι

Υπόδειξη: Καθαρίζεται κτικάτους αισθητήρες στάθμης νερού και ελέγχετε για ενδείξεις βλάβης.

ΑΥΤΟΒΟΗΘΕΙΑ ΣΕ ΠΕΡΙΠΤΩΣΗ ΒΛΑΒΗΣ

Βλάβη	Πιθανή αιτία	Αντιμετώπιση
Μείωση της ισχύος αναρρόφησης	Βρώμικο φίλτρο Χάρτινο φίλτρο πλήρες Κάδος πλήρης Απόφραξη ακροφυσίου, σωλήνα ή εύκαμπτου σωλήνα	Καθαρισμός. Αντικατάσταση. Εκκένωση. Καθαρισμός.
Ο αναρροφητήρας δεν ξεκινάει	Βάλατε το βύσμα στην υποδοχή ρεύματος; Μήπως το δίκτυο δεν φέρει τάση; Το καλώδιο δικτύου είναι εντάξει; Έχετε κλείσει σωστά το καπάκι; Έχετε απενεργοποιήσει τον αισθητήρα νερού; Είναι ο αναρροφητήρας ρυθμισμένος στη λειτουργία ετοιμότητας «AR»;	Ρυθμίστε το διακόπτη στη θέση «I» ή «A»
Αναρροφητήρες της κατηγορίας M ή H: με χάρτινο φίλτρο σκόνης τοποθετημένο στον κάδο	Λάθος θέση του περιστρεφόμενου σύρτη	Θέστε τον περιστρεφόμενο σύρτη στη θέση 4 ▲
Αναρροφητήρες της κατηγορίας M ή H: με χάρτινο φίλτρο σκόνης τοποθετημένο στον κάδο	Λάθος θέση του περιστρεφόμενου σύρτη	Θέστε τον περιστρεφόμενο σύρτη στη θέση 4 ▲

Μην κάνετε άλλες επεμβάσεις στη συσκευή, αλλά απευθυνθείτε στο συνεργείο εξυπηρέτησης πελατών.



Η παλιάς συσκευές περιέχουν πολύτιμα μέταλλα, που είναι κατάλληλα για ανακύκλωση. Μη πετάτε τη συσκευή στα οικιακά απορρίμματα, αλλά να την αποσύρετε σωστά μέσω Υπηρεσιών Συγκέντρωσης Υλικών Ανακύκλωσης.

الخرج الاسمي	1400	واط
أقصى خرج	1600	واط
الجهد	110 / 220	فولت
النيار	6,5	أمبير
التردد	50 / 60	هرتز
تدفق الهواء على النافخ	64	لتر/ثانية
الضغط المنخفض على النافخ	259	هيكثوباسكال
الأبعاد (الطول × العرض × الارتفاع)	400 x 540 x 400	مليمتر
الكابل	8	متر
كابل التوصيل للأجهزة مزود بمقبس	H07RN-F 3G1,5	
ضغط الصوت	70,0	ديسيبل (أ)

حماية معدل تحمل الأذن!

عمليات الاختبار والاعتماد الخاصة بوحدي الشفط M و H

يجب إجراء الاختبارات التقنية الكهربائية طبقاً للمبادئ التوجيهية لمنع الحوادث (BGV A3) وطبقاً لمعايير DIN VDE 0701 الجزأين الأول والثاني. وينبغي إجراء هذه الاختبارات على فترات زمنية منتظمة وطبقاً للمعايير DIN VDE 0702 وبعد أعمال الصيانة أو التعديلات.

يجب إجراء فحص تقني كشافاً عن الأتربة، مرة كل عام على الأقل، بواسطة الشركة المصنعة أو شخص مؤهل، على سبيل المثال إجراء فحص بحثاً عن وجود تلف في المرشح أو تسربات أو فحص وظيفة جهاز التحكم.

CE بيان تسجيل اللجنة الأوروبية

نعلن على مسئوليتنا الشخصية أن منتج Typ Spit موديل AC 1625 و AC 1630P متوافق مع توجيهات الاتحاد الأوروبي والمعايير النهائية المقررة: التوجيه رقم EEC/73/23 الصادر بشأن الجهد المنخفض وتعديلاته، التوجيه رقم EN 60335-2-69 الصادر بشأن التوافق الكهرومغناطيسي وتعديلاته.

Ruben Bernaert
مدير الإنتاج

Paul van Beek
مدير الأعمال

ITW Heger
Industriepark
Cardijnlaan 3
B-8600 Diksmuide
Belgien

قبل الاستخدام

عند فتح المنتج، تحقق من أن الوحدة كاملة ولا تظهر عليها أية علامات دالة على حدوث تلف أثناء النقل.
اقرأ كافة المعلومات بعناية. فهي تحتوي على نصائح مهمة حول كيفية استخدام الوحدة ومعايير الأمان والصيانة والعناية. ويرجى الاحتفاظ بتعليمات التشغيل هذه في مكان آمن وتقديمها إلى أي شخص يمتلك الوحدة بعد ذلك. ونحتفظ بالحق في إجراء تعديلات على الجهاز وتصميمه.

أوجه الاستخدام

للشفط الرطب والجاف

يصلح استخدام المكانس الكهربائية من الفئة M في الشفط الجاف للأتربة والسوائل غير القابلة للاشتعال ونشارة الخشب والغبار الخطير بمتوسط وزن $0.1 \leq$ ملليجرام/متر3.

يصلح استخدام المكانس الكهربائية من الفئة H في الشفط الجاف للأتربة غير القابلة للاشتعال والجسيمات المسببة للسرطان والأمراض والسوائل غير القابلة للاشتعال ونشارة الخشب والأتربة التي تشكل خطراً على الصحة بمتوسط وزن $0.1 >$ ملليجرام/متر3.

الإعداد للتشغيل

قم بتشغيل الوحدة/إيقاف تشغيلها باستخدام المفتاح a ② الموجود في الجزء العلوي ① (أو قم بالتبديل إلى الوضع التلقائي).

مجال التشغيل

تتوفر الوظائف والإعدادات التالية حسب تكوين الوحدة:

0 = < إيقاف تشغيل > وحدة الشفط

I = < تشغيل > وحدة الشفط

A = وضع الاستعداد لتشغيل/إيقاف تشغيل الوضع التلقائي.

(يتم تشغيل/إيقاف تشغيل الوحدة بواسطة الأداة الكهربائية)

AC = وضع الاستعداد مثل "A" بالإضافة إلى التنظيف التلقائي للمرشح.

وظيفة تنظيف المرشح: يتم تنشيط المقطع الاهتزازي في إعداد هذا المفتاح لمدة 10

ثوانٍ تقريباً ثم يتم إيقاف تشغيله مرة أخرى تلقائياً.

مقيس الطاقة b ② متوفر لتوصيل أي من الأدوات الكهربائية.

تحذير! يجب إيقاف تشغيل الأداة الكهربائية أثناء التوصيل. ذلك حيث يتم إمداد مقيس الطاقة بتيار كهربائي بشكل دائم عندما يكون المقابس في مقيس الطاقة الرئيسي بصرف النظر عن إعداد مفتاح التشغيل. وفي الإعداد "0" لمفتاح التشغيل، يمكن استخدام مقيس الطاقة ككابل إضافي (للمصباح، على سبيل المثال).

الجمل الموصل: الحد الأقصى لوحدة الشفط والوحدة الموصلة 16 أمبير.
يمكن تعديل مخرج الشفط بشكل غير متدرج باستخدام مفتاح ضبط السرعة الدوار ②d.

مفتاح التحديد المسبق ②d للحصول على أدنى إشارة للحجم (صوتًا وضوءًا) بالنسبة لوحدي الشفط من الفئة "M" و" H". وفي الوضع "A" أو "RA"، يجب إجراء الإعدادات التالية حسب قطر الخرطوم:

قطر الخرطوم	إعداد المفتاح
Ø 35 ملليمترًا	70 متر ³ /ساعة
Ø 27 ملليمترًا	40 متر ³ /ساعة
Ø 21 ملليمترًا	20 متر ³ /ساعة

السرعة غير منمّمة. ويتم تشغيل الشفط دائمًا بأقصى سرعة.

فتحات الشفط الخاصة بالأدوات الكهربائية غير قياسية. ويتوفر مهائئ (فوهة أو جلبة من المطاط) يمكن تفصيله وتعديله بما يتناسب مع الأداة الكهربائية المعنية.

التشغيل

عند استخدام أنبوب المِقْبُض، يمكن استخدام صمام الهواء الثانوي لتعديل مخرج الشفط.

الشفط الجاف

يتم الشفط باستخدام مرشح جاف ووحدة وملحقات جافة بحيث لا تلتصق الأتربة وتتصلب. وتوصي باستخدام كيس ترشيح ورقي في حالة شفط السيناخ أو الأسمت أو الجبس أو الدقيق أو المواد المشابهة.
استخدم كيس الترشيح الورقي بالإضافة إلى خرطوشات المرشح.

الشفط الرطب

يتم الشفط دون استخدام كيس ترشيح ورقي. وتناسب أشرطة المرشح الشفط الرطب. يقوم المستشعر المركب بإيقاف تشغيل المحرك عند امتلاء الخزان. قم بتفريغ الوحدة كما هو موضح. وإذا لم يتم إيقاف تشغيل الوحدة، يبقى الإجراء الوقائي لإعادة التشغيل نشطًا. ولن تكون الوحدة جاهزة للتشغيل مرة أخرى إلا بعد إيقافها ثم تشغيلها مجددًا.

- قبل التفريغ، قم أولاً بإزالة خرطوم الشفط من السائل.
- نظرًا لارتفاع مخرج الشفط والشكل الانسيابي للخزان، فقد يخرج قليل من الماء من الخرطوم بعد إيقاف تشغيل الوحدة.
- بالنسبة لمرحلة الشفط الجاف اللاحقة، استخدم مرشحًا جافًا. وفي حالة التبديل المتكرر بين الشفط الجاف والرطب، ننصح باستخدام مجموعة مرشح أخرى، ويُفضل استخدام أشرطة الترشيح المصنوعة من مادة البوليستر.

تنظيف المرشح

وحدة الشفط مزودة بجهاز كهرومغناطيسي لتنظيف المرشح، والذي يمكنه التقاط أي أتربة ملتصقة في ثنايا أشرطة المرشح المطوية.

التنظيف اليدوي

ينبغي تنشيط وظيفة الاهتزاز (إعداد المفتاح C أو AC/المفتاح a) على أقصى درجة عندما يضيء مؤشر بيان التدفق الحجمي C (مصباح التحذير) أو عند إصدار أصوات إشارات التحذير أو عند تراجع مستوى مخرج الشفط.

التنظيف التلقائي (الاهتزاز التلقائي)

يتم تنظيف المرشح بشكل تلقائي (إعداد المفتاح AC/المفتاح a) أثناء فترة التوقف التالية عند الوصول إلى أدنى مستوى من التدفق الحجمي.

تفريغ الخزان

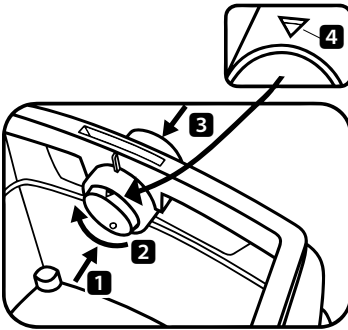
لا يُسمح به إلا في حالة الأتربة التي يبلغ متوسط وزنها < 1 ملليجرام/متر³ فقط.

قم بإيقاف التشغيل 2a وفصل القابس 6 وفتح أقفال الإطباق 9. أخرج الجزء العلوي 1 وخرطوم الشفط من الخزان 7. قم بتفريغ الخزان.

كيس الترشيح الورقي

لإدخال كيس الترشيح/كيس التفريغ أو إزالته، قم بإزالة الجزء العلوي 1. للقيام بذلك، افتح الأقفال الجانبية 9. استخدم كيس الترشيح الورقي في حالة الشفط الجاف فقط.

إدخال كيس الترشيح الورقي

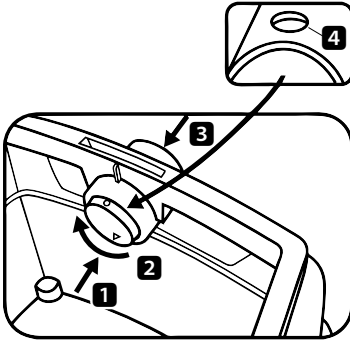


- سعة 25 لترًا
- ادفع الشفة على فتحة الشفط.
- يمكن تشغيل خزان خاص سعة 25 لترًا على AC 1625 M مع أكياس الترشيح الورقية فقط في حالة شفط أتربة في حدود التعرض (متوسط الوزن) < 0.1 ملليجرام/متر³.

أدر المقبض الموجود في فتحة الشفط بحيث تكون العلامة ▲ 4 لأعلى. ادفع الشفة على فتحة الشفط.

تغيير كيس الترشيح الورقي

اسحب الشفة من توصيلات الشفط بعناية وأغلق الشفة. قم بتشغيل المحرك قبل وضعها لضمان شفط أي أتربة عالقة قد تتساقط. تخلص من المواد التي تم شفطها طبقاً للقواعد القانونية.



كيس التفريغ البلاستيكي

يصلح استخدام المكانس الكهربائية من الفئة M و H فقط، والمزودة بخزانات خاصة وصمام دوار في فتحة الشفط M 1625 AC، في أكياس التفريغ البلاستيكية. أدر الصمام الدوار ذو العلامة الدائرية لأعلى في فتحة الشفط ● 4.

تشغيل الصمام الانزلاقي:

ادفع الصمام الانزلاقي من الداخل إلى الخارج 1، وقم بتدويره 180 درجة 2 (انظر العلامة 4)، واضغط من الخارج عبر أنابيب الشفط ثم إلى الداخل مرة أخرى 3.

اضغط على الشفة أعلى أنابيب الشفط، وضَع فتحة الكيس أعلى حافة الخزان.

تغيير كيس التفريغ البلاستيكي

قم بفصل خرطوم الشفط وأغلق فتحة الشفط 8 بسدادة (الموضع 8a). قم بإزالة الجزء العلوي 1. قم بتشغيل المحرك قبل وضعه على الأرض بحيث يمكن أيضاً شفط أي أتربة متساقطة. أغلق كيس التفريغ باستخدام شريط إغلاق. اسحب الشفة بعناية في مقدمة فتحة الشفط وأغلقها بإحكام. تخلص من المحتويات طبقاً للأحكام القانونية.

التنظيف

قم بتنظيف الخزان والملحقات بالماء. امسح الجزء العلوي 1 باستخدام قطعة قماش رطبة. اترك الخزان والمحقات حتى يجف. لا تقم بتنظيف أشرطة المرشح باستخدام ضغط الهواء.

في حالة تراجع مخرج شفط الوحدة وعدم تحسنه بعد تنظيف أشرطة الترشيح ⑫، (على افتراض أن الخزان ⑦ فارغ وأنه تم تغيير كيس الترشيح الورقي ⑭)، فيجب عندئذٍ تغيير أشرطة الترشيح ⑫.

قم بتشغيل وظيفة الاهتزاز لأشرطة الترشيح مرة أخرى قبل تغييرها. استخدم عملة معدنية أو أي شيء مشابه لتدوير المزلاج ⑤ الموجود على شريط الإقفال ④ بمقدار 90 درجة في عكس اتجاه عقارب الساعة، ثم اضغط على شريط الإقفال ④ للخلف. قم بطي الغطاء لأعلى وارفع أشرطة المرشح ⑫. قم على الفور بوضع أشرطة الترشيح التي تمت إزالتها في كيس بلاستيكي مانع للأتربة وتخلص منها طبقاً للقواعد القانونية. أدخل أشرطة ترشيح جديدة. قم بطي الغطاء لأسفل مرة أخرى واضغط عليه برفق حتى تتأكد من إعادته في موضعه.

إذا كان مرشح حماية المحرك ⑬ ملوئًا بالأتربة، فهذا دليل على وجود خلل في أشرطة المرشح. لذا، يرجى تغيير كلا شريطي المرشح ⑫. قم بتنظيف مرشح حماية المحرك ⑬ تحت الماء الجاري وحفظه ثم أعد تركيبه.

استكشاف المشكلات وإصلاحها

العطل	السبب المحتمل	الحل
ضعف مخرج الشفط	المرشح متسخ المرشح الورقي ممتلئ الخزان ممتلئ انسداد الفوهة أو الأنبوب أو الخرطوم	التنظيف التغيير التفريغ التنظيف
تعذر بدء تشغيل الوحدة	هل مقبس الطاقة موصل؟ ألا توجد طاقة في الموصلات الرئيسية؟ هل غطاء الوحدة مغلق بشكل صحيح؟ هل تم إيقاف تشغيل مستشعر الماء؟	
شفط كيس التفريغ البلاستيكي في داخل المرشح		ضبط المقبض على الموضع ●.
إدخال كيس الترشيح الورقي لأتربة في الخزان بالمكانس الكهربائية من الفئة M أو H		ضبط المقبض على الموضع ▲

لا تقم بأي إجراءٍ أكثر من ذلك، واتصل بإحدى ورش العمل الخاصة بخدمة عملاء SPIT.

تحتوي الأجهزة القديمة على مواد قيّمة يمكن إعادة تدويرها. لذا، لا تتخلص من هذه الأجهزة مع النفايات المنزلية العادية، وإنما من خلال نقاط التجميع المناسبة..





Serial n° / Identification
Gerätebezeichnung / Codice identificativo
Identificatie / Identificaci6n
Identificaç6o / Identifying
Identifikation / Identifikasjon
Tunniste / Azonosító
Identyfikacyjny / Identifikace
Identifikačné / Идентификационный
Identifikacija / Identifikacijska
Идентификационный / Αριθμός αναγνώρισης
الرقم التسلسلي / التعريف

This manual should always be retained with the tool.

Ce manuel doit toujours être conservé avec l'outil.

Diese Anleitung stets zusammen mit dem Gerät aufbewahren.

Il presente manuale deve sempre accompagnare l'elettrotensile.

Bewaar deze handleiding altijd dicht bij het gereedschap.

Se debe guardar siempre este manual con la herramienta.

Este manual deve ser sempre guardado com a ferramenta.

Den här bruksanvisningen ska alltid medf6lja verktyget.

Denne brugervejledning skal altid befinde sig sammen med pudsemaskinen.

Denne h6ndboken skal alltid oppbevares sammen med maskinen.

T6m6n k6ytt6opas tulee aina s6ilytt66 ty6kalun mukana.

Jelen k6z6konyvet tartsa a szersz6mmal egyutt.

Tę instrukcję należy przechowywać 6cznie z narz6dziem.

Tento n6vod se musí v6zdy uschov6vat s n6strojem.

Tento n6vod musí v6zdy zost6vat s n6rad6m.

Овој прирачник треба секогаш да се чува заедно со алатот.

Priručnik uvek treba držati sa alatom.

Ovaj priručnik treba uvijek držati uz alat.

Prir6očník imejte vedno pri orodju.

Данное руководство следует всегда хранить вместе с инструментом.

To παρόν εγχειρίδιο πρέπει να διατηρηθεί πάντα με το εργαλείο.

يجب الاحتفاظ بهذا الدليل دائماً مع الأداة.

Spit reserves the right to modify the characteristics of its products at any time. The photographs may show equipment or accessories supplied as options and not included with standard versions.

Spit se r6serve le droit de modifier les caract6ristiques de ses produits 6 tout moment. Les photographies peuvent illustrer des 6quipements ou accessoires fournis en option qui ne sont pas inclus dans les versions standards.

Spit beh6lt sich vor, die Produkteigenschaften jederzeit zu 6ndern. Auf den Fotos sind unter Umst6nden Ger6te oder Zubeh6r zu sehen, die als Zusatzausstattung angeboten werden und in den serienm66igen Ausf6hrungen nicht enthalten sind.

Spit si riserva il diritto di modificare caratteristiche e specifiche del prodotto in qualunque momento e senza alcun preavviso. Le fotografie possono illustrare attrezzature o accessori di tipo opzionale e pertanto non compresi nelle versioni standard del prodotto.

Spit behoudt zich het recht voor om de eigenschappen van zijn producten te allen tijde aan te passen. De foto's in deze handleiding kunnen optioneel geleverde materiaal of toebehoren tonen die niet inbegrepen zijn in de standaardversies.

Spit se reserva el derecho a modificar las caracteristicas de sus productos en cualquier momento. Las im6genes podrn mostrar equipos o accesorios proporcionados como opcionales y no estar6 incluidos en las versiones est6ndar.

A Spit r6serva-se o direito de modificar as caracteristicas dos seus produtos em qualquer ocasi6o. As fotografias podem apresentar equipamentos e acc6srios fornecidos como opç6o e que n6o se encontram includidos nas vers6es padr6o.

Spit forbeholder sig rettigheten til 6ndre egenskaper for foret6gsets produkter n6r som helst. Bilderna kan visa utrustning eller tilbeh6r som medf6ljer som tillval og som eventuelt inte ing6r i standardversionerna.

Spit forbeholder sig retten til 6nhver tid at 6ndre p6 karakteristika for sine produkter. Fotografierne kan vise udstyr eller tilbeh6r, der leveres som ekstratilbeh6r, og som ikke f6lger med standardudgaven.

Spit forbeholder seg retten til 6 6ndre karakteristikkene til produktene sine n6r som helst. Bildene kan vise utstyr eller tilbeh6r som er tilleggsutstyr og som ikke kommer med standardutgaven.

Spit varaa itsell66n oikeuden muuttaa t6m6n tuotteen ominaisuuksia milloin tahansa. Valokuvissa saattaa esiinty6 valinnaisina toimitettuja tarvikkeita tai lis6varusteita, jotka eiv6t sis6lly vakiomalleihin.

A Spit fenn tartja mag6nak a jogot a term6kek jellemz6inek m6dosítás6ra. A mell6kelt 6br6kon el6fordulhatnak olyan eszköz6k vagy kieg6szít6k, melyek nem k6pezik r6szét az alapv6ltozatoknak.

Firma Spit zastrzega sobie prawo do modyfikacji cech swoich produkt6w w dowolnym momencie. Fotografie mog6 przedstawiać sprz6t lub oprzrz6dowanie stanowi6ce opcje, nie zawarte w wersji standardowej.

Spit r6znost Spit si vyhrazuje pr6vo kdykoliv zm6nit charakteristiky. Na fotografiich m6že byt vybaven6 nebo p6slušenstvi, kter6 se dod6v6 jako voliteln6 doplnky a nen6 součástí standardn6ch verz6n.

Spoločnosť Spit si vyhradzuje pr6vo kedykoľvek upraviť charakteristiky svojich v6robov. Fotografie m6žu ukazovať zariadenia alebo p6slušenstvo dod6v6n6 ako doplnkov6 vybavenie, ktor6 nie je súčasťou dod6vky z6kladn6ch verz6n.

Spit 6o zadrzhuva pravoto vo k6e bilo vreme da gi menuva karakteristikiite na negovite proizvodi. Na fotografiiite moжат da bidat prikazani opremata ili priborot što se isporuçuvaat dopolnitelno i ne se vkljueni vo standardnata verzija.

Spit zadrzava pravo da izmeni karakteristike proizvoda u bilo kom trenutku. Na fotografijama su mozda prikazani oprema ili pribor koji se isporuçuju kao opcije i kojih nema kod standardnih verzija.

Spit priznava pravo izmeniti značajki proizvoda u bilo kojem trenutku. Fotografije mogu prikazivati opremu ili pribor koji se dodatno isporučuju i nisu obuhvaćeni standardnim verzijama.

Spit priznava pravo izmeniti značajki proizvoda u bilo kojem trenutku. Fotografije mogu prikazivati opremu ili pribor koji se dodatno isporučuju i nisu obuhvaćeni standardnim verzijama.

Spit priznava pravo izmeniti značajki proizvoda u bilo kojem trenutku. Fotografije mogu prikazivati opremu ili pribor koji se dodatno isporučuju i nisu obuhvaćeni standardnim verzijama.

Spit priznava pravo izmeniti značajki proizvoda u bilo kojem trenutku. Fotografije mogu prikazivati opremu ili pribor koji se dodatno isporučuju i nisu obuhvaćeni standardnim verzijama.

Spit priznava pravo izmeniti značajki proizvoda u bilo kojem trenutku. Fotografije mogu prikazivati opremu ili pribor koji se dodatno isporučuju i nisu obuhvaćeni standardnim verzijama.

Spit priznava pravo izmeniti značajki proizvoda u bilo kojem trenutku. Fotografije mogu prikazivati opremu ili pribor koji se dodatno isporučuju i nisu obuhvaćeni standardnim verzijama.

Spit priznava pravo izmeniti značajki proizvoda u bilo kojem trenutku. Fotografije mogu prikazivati opremu ili pribor koji se dodatno isporučuju i nisu obuhvaćeni standardnim verzijama.

Spit priznava pravo izmeniti značajki proizvoda u bilo kojem trenutku. Fotografije mogu prikazivati opremu ili pribor koji se dodatno isporučuju i nisu obuhvaćeni standardnim verzijama.

Spit priznava pravo izmeniti značajki proizvoda u bilo kojem trenutku. Fotografije mogu prikazivati opremu ili pribor koji se dodatno isporučuju i nisu obuhvaćeni standardnim verzijama.

Spit priznava pravo izmeniti značajki proizvoda u bilo kojem trenutku. Fotografije mogu prikazivati opremu ili pribor koji se dodatno isporučuju i nisu obuhvaćeni standardnim verzijama.

Spit priznava pravo izmeniti značajki proizvoda u bilo kojem trenutku. Fotografije mogu prikazivati opremu ili pribor koji se dodatno isporučuju i nisu obuhvaćeni standardnim verzijama.



ITW HEGER
Industriepark
Cardijnlaan 3
BE-8600 Diksmuide