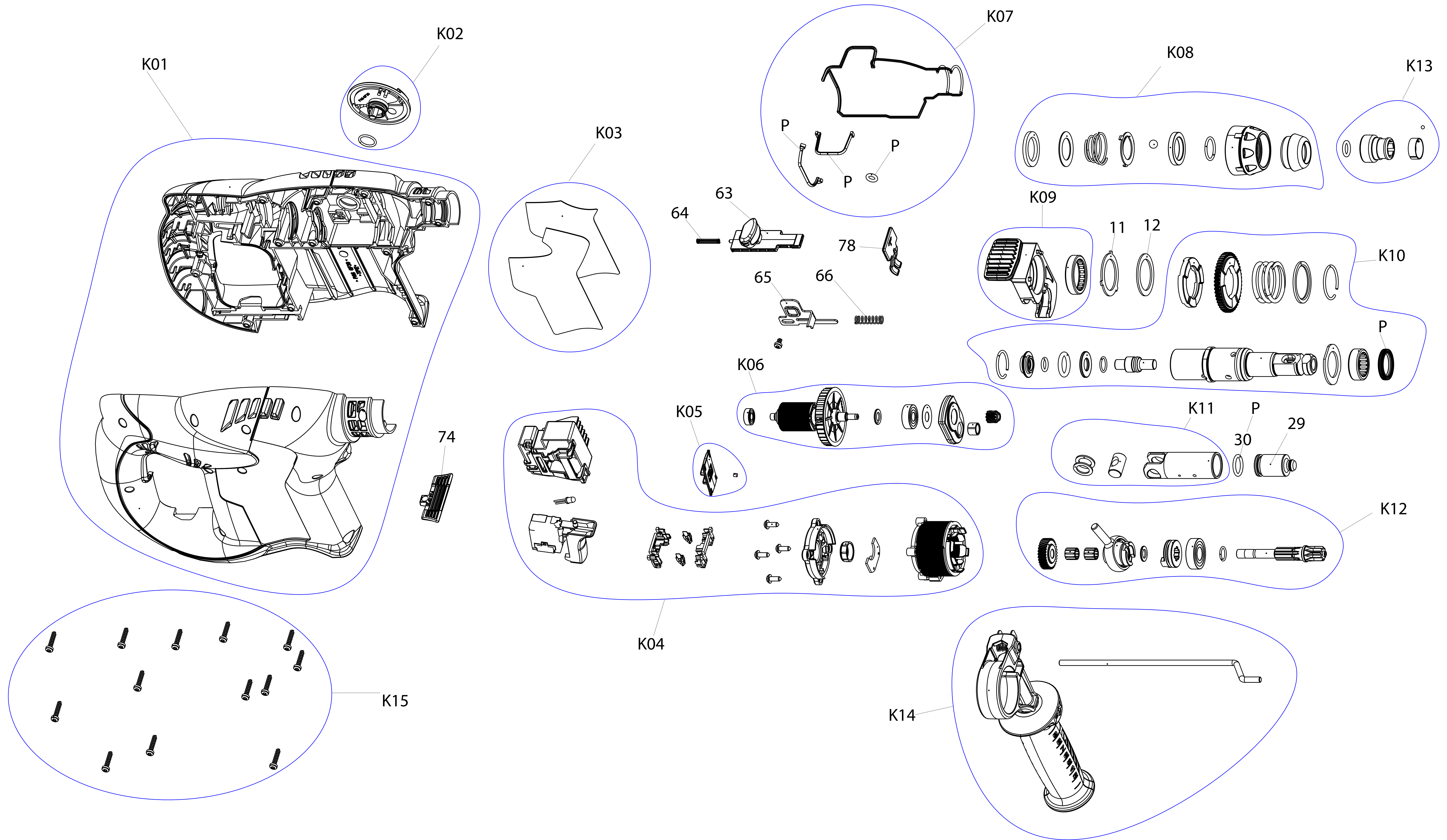


SPITBULL 36V





Rep.	Eurocode	Designation	Description
11	653296	Circlip	Tool bracket plate
12	653297	Rondelle d'arret	Tool holder stop washer
29	653298	Piston libre	Free piston
30	653299	Joint piston libre	Free piston oring
63	653300	Verrouillage batterie	Battery lock
64	653302	Ressort	Battery lock spring
65	653303	Plaque	Switching plate
66	653304	Ressort plaque	Swithcing spring
74	653305	Inverseur	Reverse knob
78	653306	Clip maintien batterie	Battery holder
K01	653280	Kit carter D/G	Housing kit
K02	653281	Ensemble selecteur	Change lever kit
K03	653282	Ensemble etiquette D/G	Side sticker kit
K04	653283	Ensemble stator + interrupteur	Stator sub assy
K05	653284	Ens. plaque Aimant	Torque switch magnet
K06	653285	Ensemble induit	Rotor sub assy
K07	653286	Ensemble joints	Seal packing kit
K08	653287	Ensemble verrouillage	Tool holder cover kit
K09	653279	Ensemble support	Tool bracket kit
K10	653289	Ensemble porte-outil	Tool holder kit
K11	653290	Ensemble piston	Piston kit
K12	653291	Ensemble excentrique	Drive shaft kit
K13	653292	Ensemble manchon	Screwing head kit
K14	653293	Poignée auxiliaire	Auxiliary handle assy
K15	653294	Ensemble visseries	Screws kit
P	653295	Pochette d'entretien (contient dose de graisse)	Maintenance kit with grease