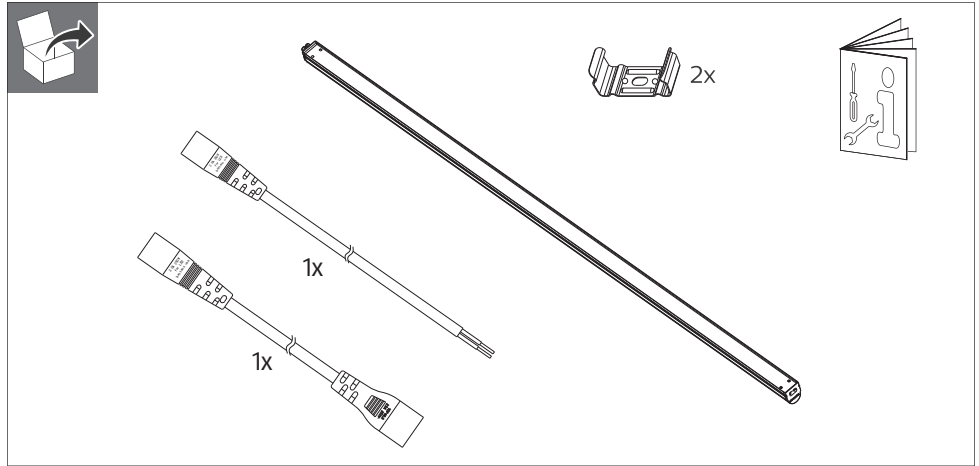


PHILIPS

Ledinaire batten

BN013C



50Hz
60Hz

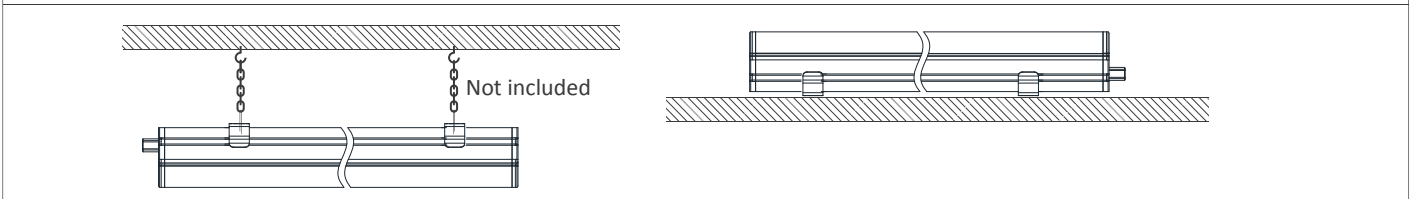
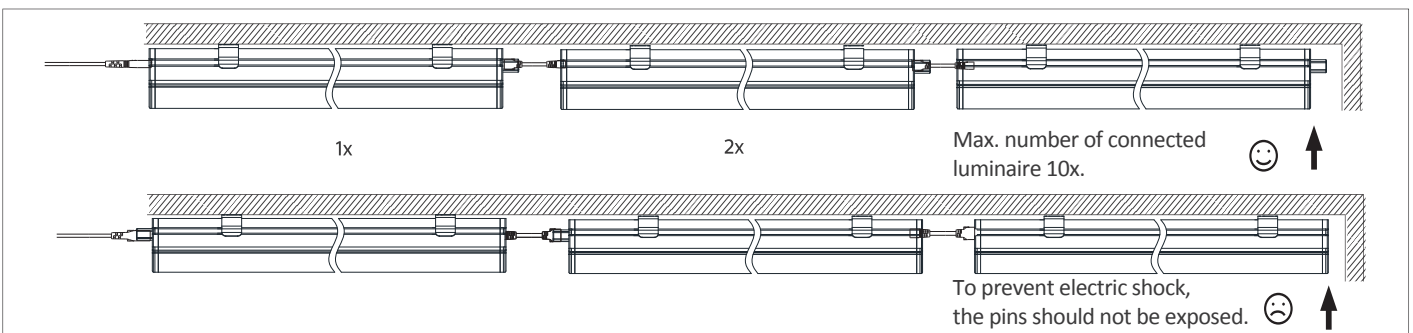
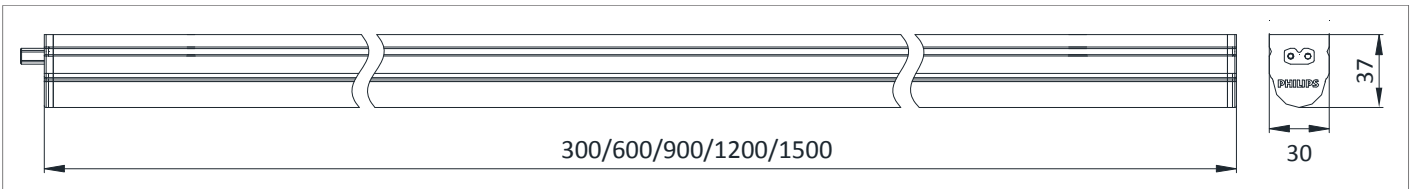
220V
240V

LIFE L65
50K hrs

IP20

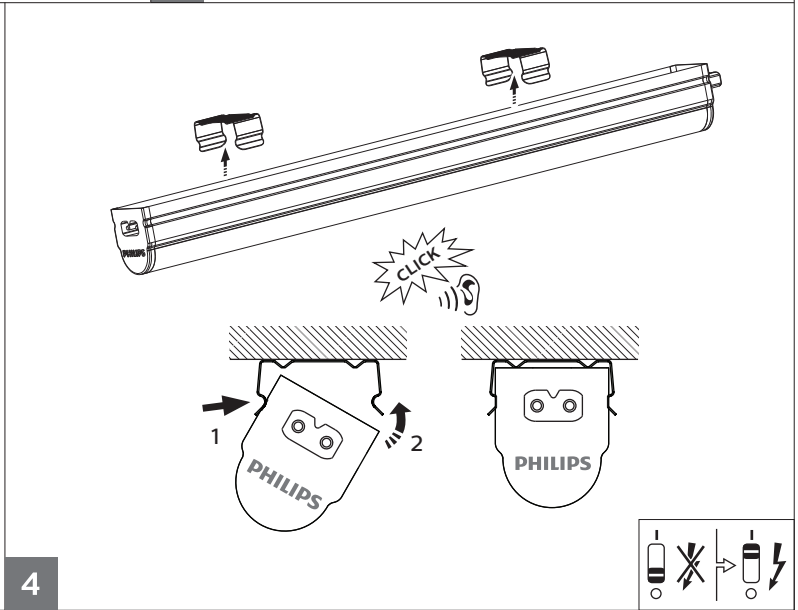
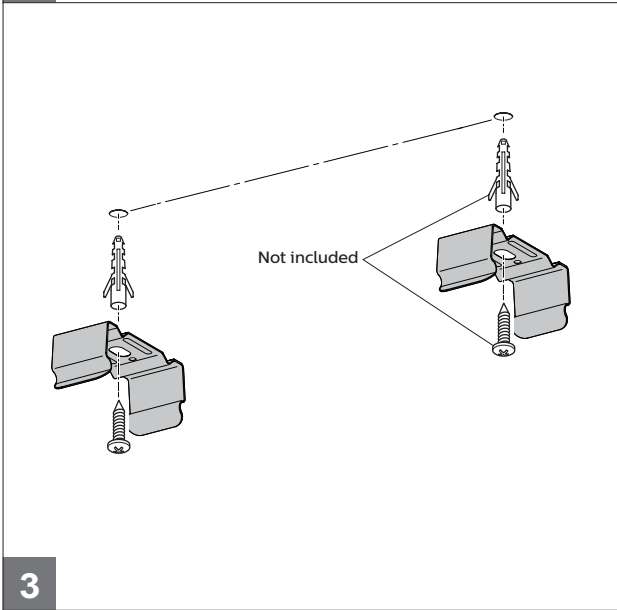
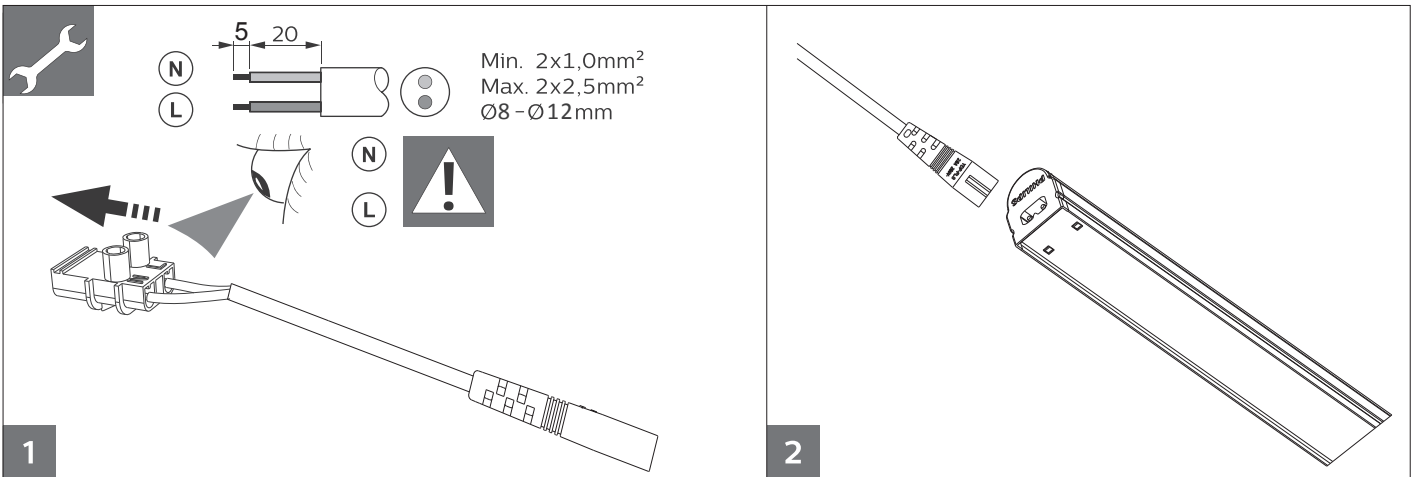


| | | System lumen (Lm) | CCT | P(W) | |
|-------------------------|---|-------------------|-------|------|------|
| BN013C LED5S/840 L300 | • | 500 | 4000K | 5 | 0.08 |
| BN013C LED5S/830 L300 | • | 475 | 3000K | | |
| BN013C LED10S/840 L600 | • | 1000 | 4000K | 10 | 0.12 |
| BN013C LED10S/830 L600 | • | 940 | 3000K | | |
| BN013C LED15S/840 L900 | • | 1500 | 4000K | 15 | 0.17 |
| BN013C LED14S/830 L900 | • | 1410 | 3000K | | |
| BN013C LED20S/840 L1200 | • | 2000 | 4000K | 20 | 0.20 |
| BN013C LED19S/830 L1200 | • | 1880 | 3000K | | |
| BN013C LED25S/840 L1500 | • | 2500 | 4000K | 24 | 0.23 |
| BN013C LED24S/830 L1500 | • | 2350 | 3000K | | |

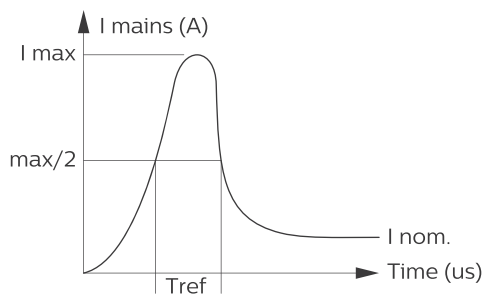


- The luminaire shall be installed by a qualified electrician and wired in accordance with the latest IEE electrical regulations or the national requirements.
- LED board & LED driver are not serviceable and not replaceable.
- The light source of this luminaire is not replaceable; when the light source reaches its end of life the whole luminaire shall be replaced.
- Luminaire must not be used or stored in corrosive environment where hazardous materials such as sulphur, chlorine, phthalates, etc. are present.

ATTENTION
OBSERVE PRECAUTIONS
FOR HANDLING
ELECTROSTATIC
SENSITIVE
DEVICES



Inrush current



| | LED5S | LED10S | LED15S | LED20S | LED25S |
|----------------------------|-------|--------|--------|--------|--------|
| | | | LED14S | LED19S | LED24S |
| Electrical characteristics | | | | | |
| I _{max} (A) | 4.52 | 3.92 | 4.32 | 4.66 | 4.24 |
| T _{ref} (μS) | 36 | 43 | 46 | 43 | 45 |
| MCB Luminaire Max | | | | | |
| B-10A | 10 | 10 | 10 | 10 | 10 |
| B-16A | 10 | 10 | 10 | 10 | 10 |
| C-10A | 10 | 10 | 10 | 10 | 10 |
| C-16A | 10 | 10 | 10 | 10 | 10 |

5

© 2019 Signify Holding.

All rights reserved. This document contains information relating to the product portfolio of Signify which information may be subject to change. No representation or warranty as to the accuracy or completeness of the information included herein is given and any liability for any action in reliance thereon is disclaimed. The information presented in this document is not intended as any commercial offer and does not form part of any quotation or contract. Philips and the Philips Shield Emblem are registered trademarks of Koninklijke Philips N.V.. All other trademarks are owned by Signify Holding or their respective owners.

Signify Holding.
The Netherlands

