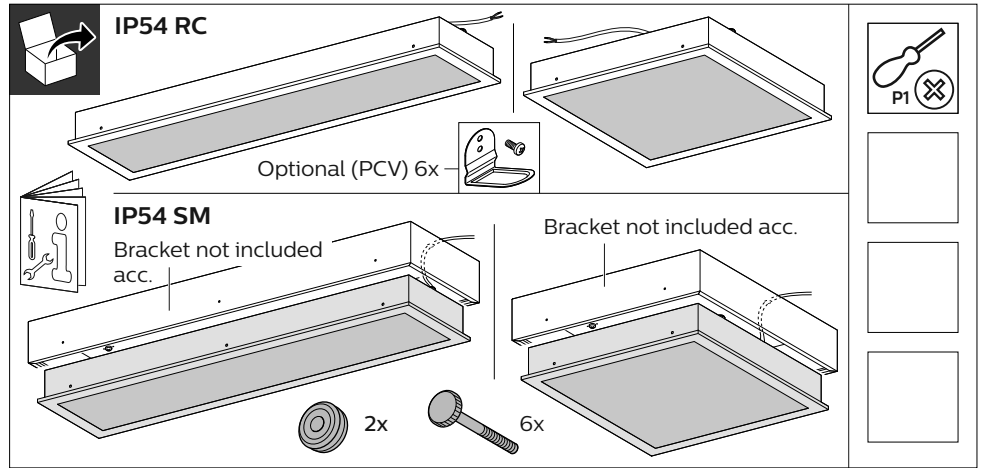


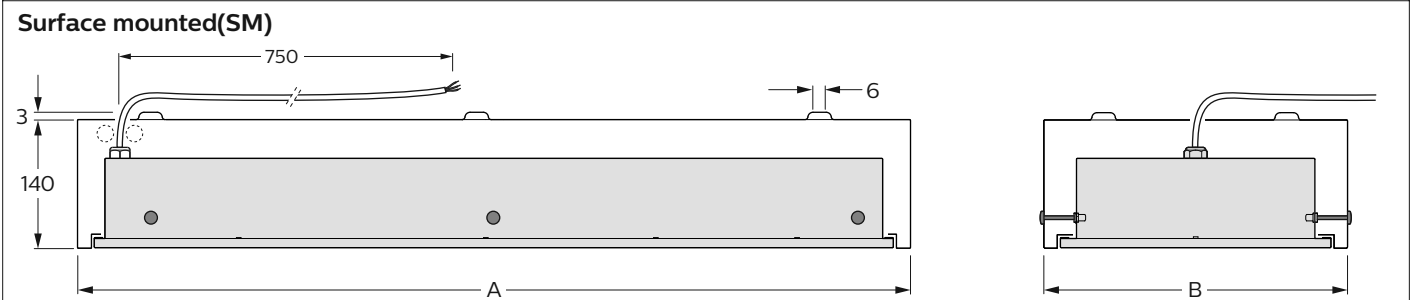
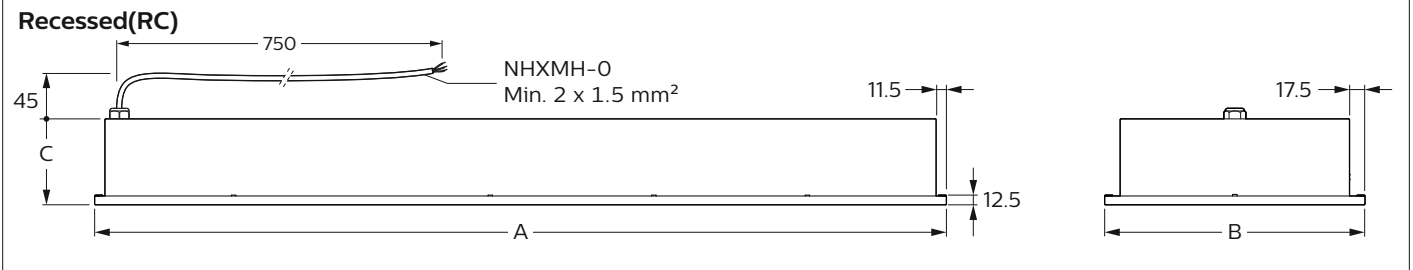
PHILIPS

Cleanroom LED CR150B

Recessed/Surface
mounted

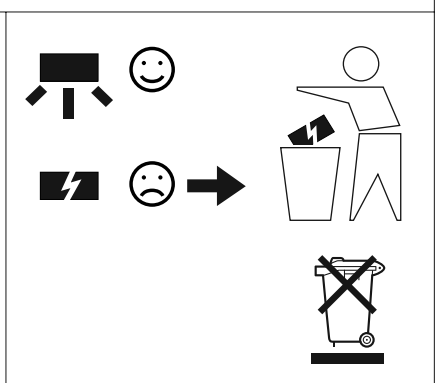


Configuration types	application	Size type	Lumen (lm)	Driver				kg	
					A	B	C		
CR150B	RC	VPC/CPC/	W60L60	3500/5500	PSU/PSD	595	595	86	6.0
	(Luminaire only)	PCV	W30L120			1195	295	102	6.5
	SM		W60L60			630	630	-	9.5
	(Luminaire+bracket)	Ceiling only	W30L120			1230	330	-	10.5



Inrush current

	PSU		PSD	
	36W	75W	36W	75W
I _{max} (A)	13	21	4.8	4.6
T _{ref} (μs)	270	220	750	900
MCB Luminaire Max.				
B-10 A	15	15	15	15
B-16 A	24	24	24	24
B-24 A	37	37	37	37
C-10 A	25	25	25	25
C-16 A	40	40	40	40
C-24 A	62	62	62	62

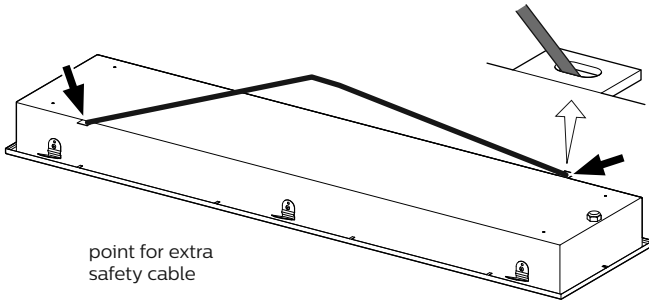




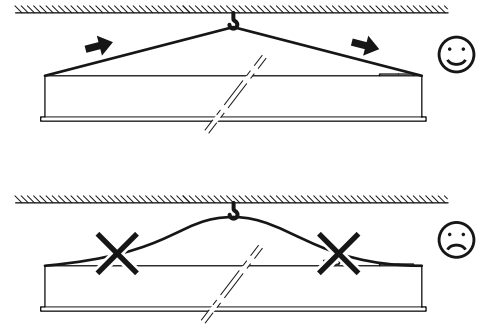
Optional:
Safety cable



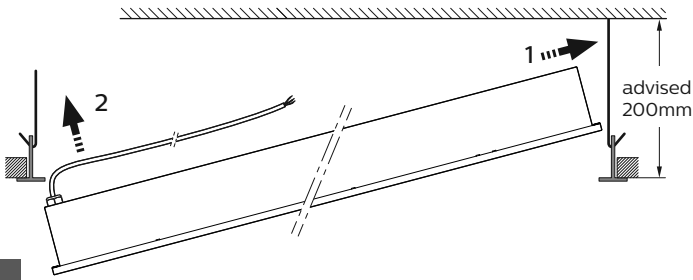
CR250Z SC
9109 300 30918



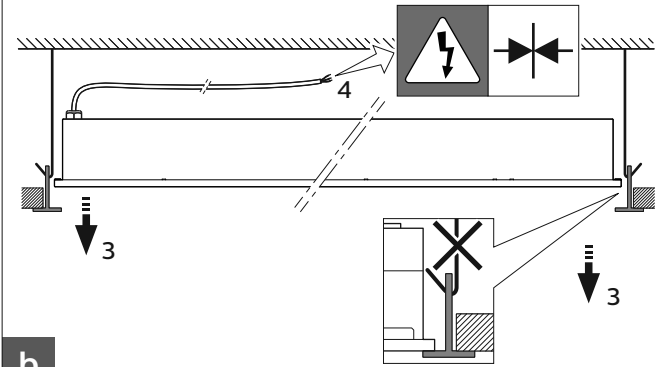
point for extra
safety cable



IP54 RC
VPC (lay-in)



a



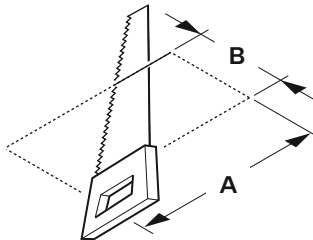
b

Options: PCV/CPC

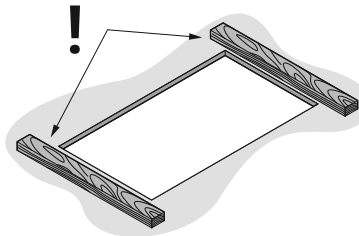


Always use in
combination with
safety cable.

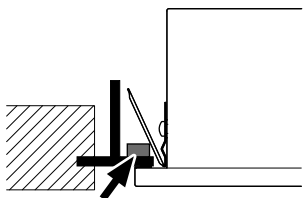
	A(mm)	B(mm)
RC W60L60	578	578
RC W30L120	1182	278



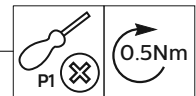
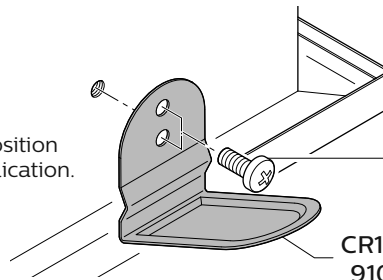
- PCV Solid wood if necessary



- CPC Solid wood if needed.



Choose hole position
best-fit for application.



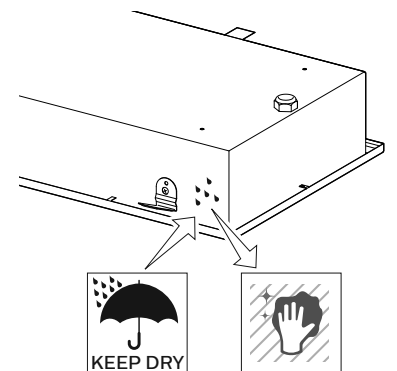
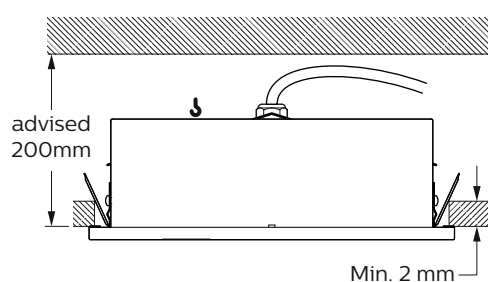
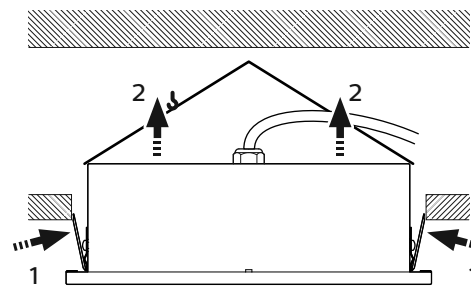
CR150Z SMB-PLC
9109 300 30818

1

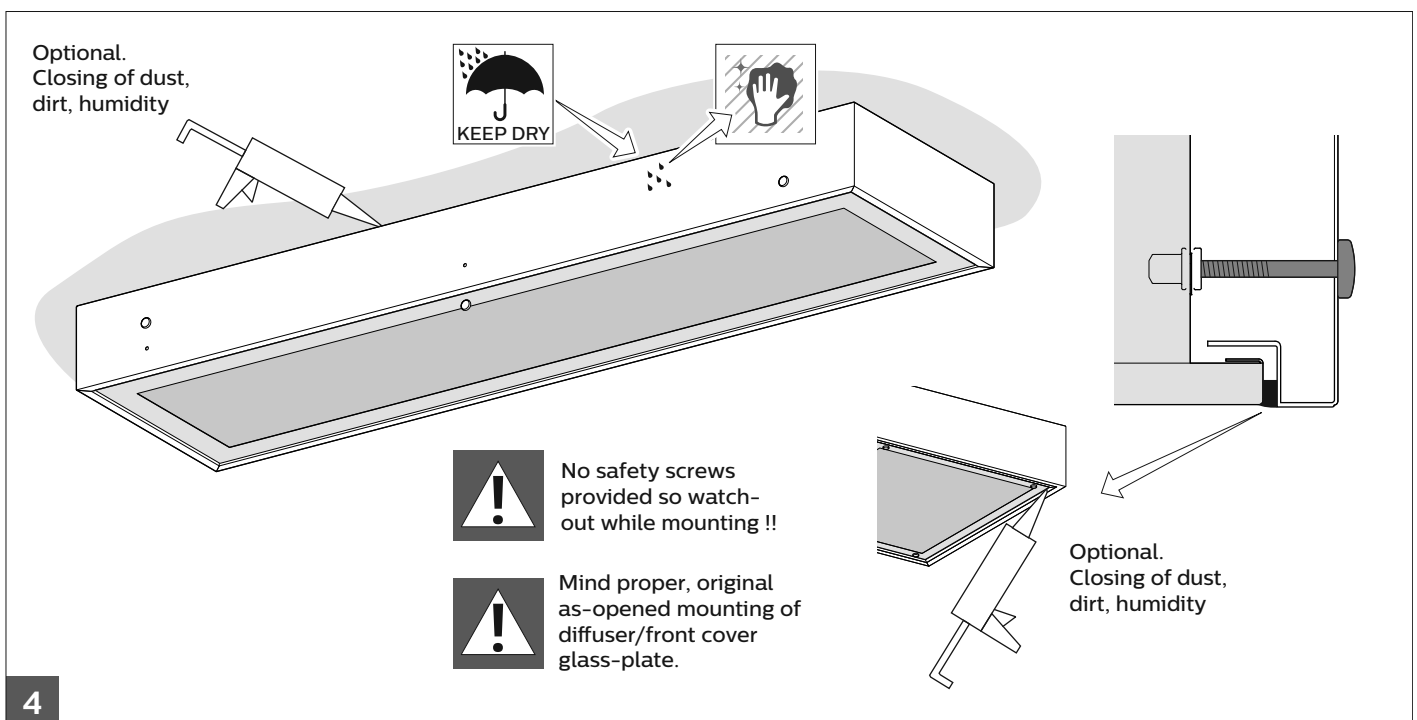
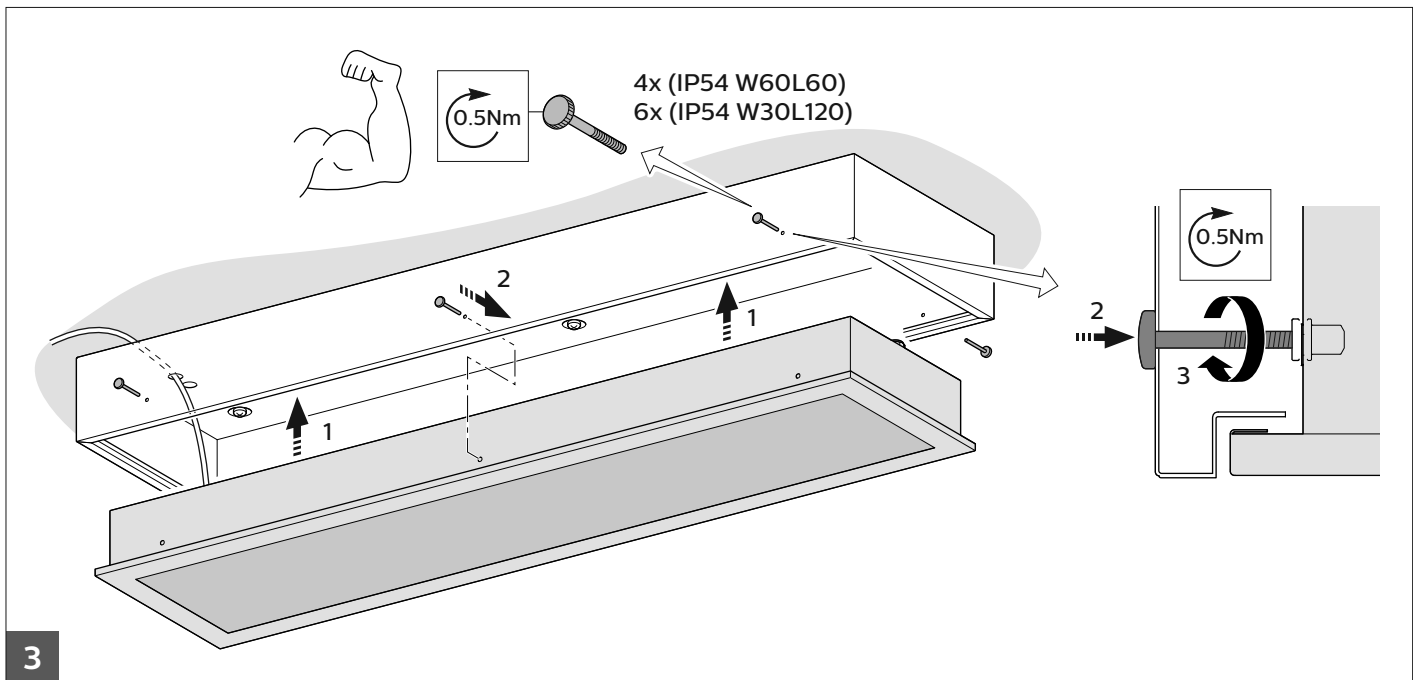
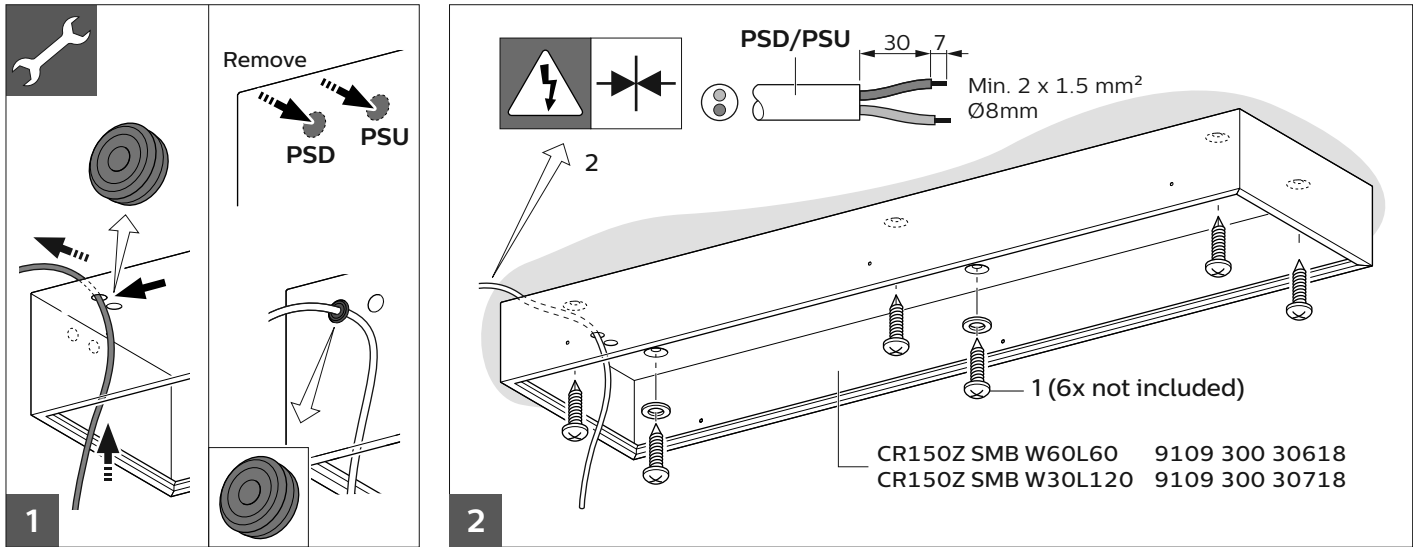
2

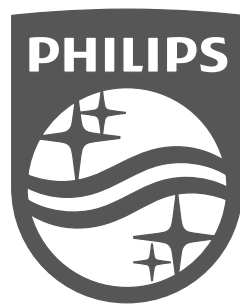
3a

3b



Option: Surface mounted(S.M)





© 2016 Philips Lighting Holding B.V.

All rights reserved. Reproduction in whole or in part is prohibited without the prior written consent of the copyright owner. The information presented in this document does not form part of any quotation or contract, is believed to be accurate and reliable and may be changed without notice. No liability will be accepted by the publisher for any consequence of its use. Publication thereof does not convey nor imply any license under patent- or other industrial or intellectual property rights.

Philips Lighting Holding B.V.
The Netherlands