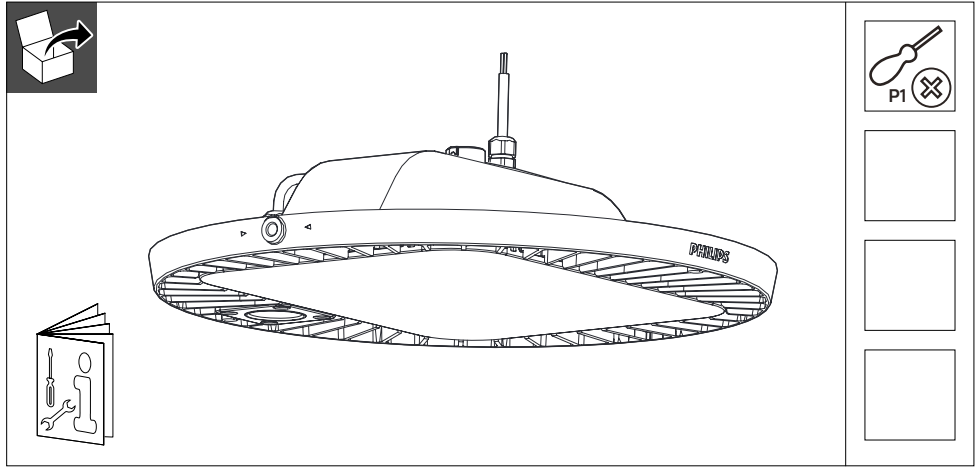


# PHILIPS

## CoreLine High-bay G3

### BY120P/BY121P

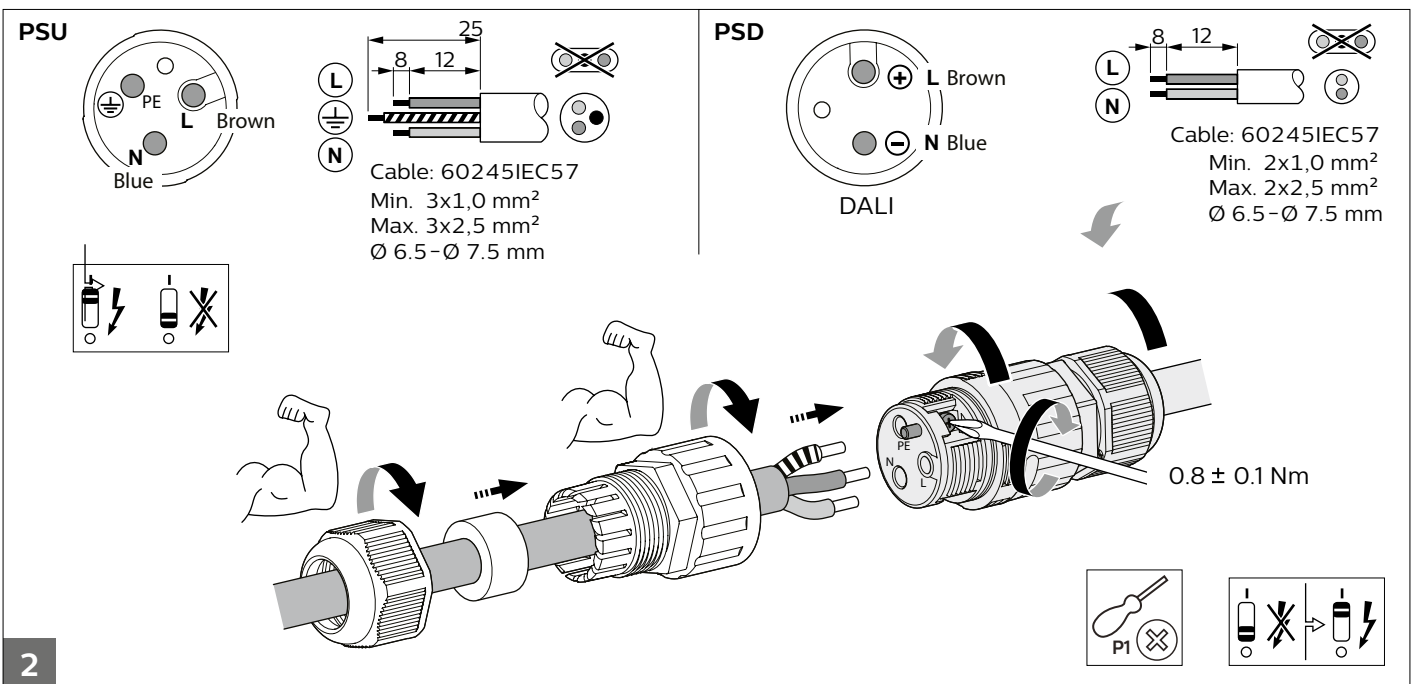
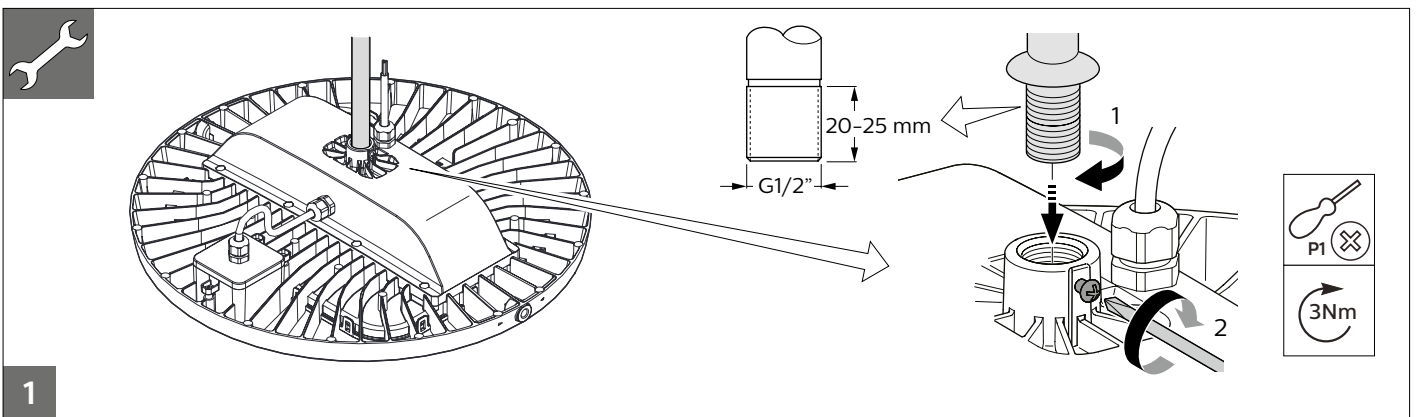
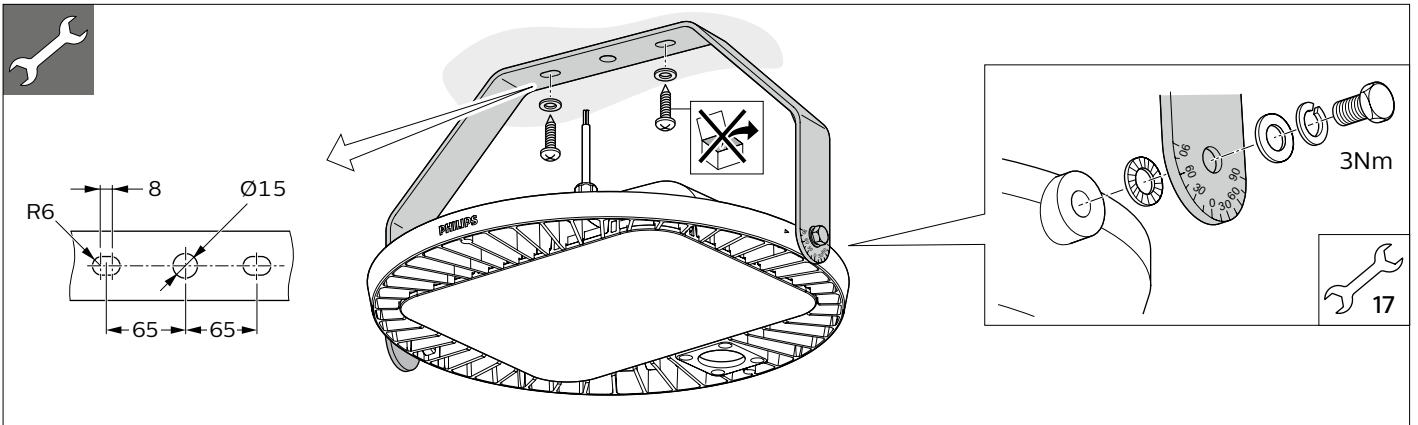
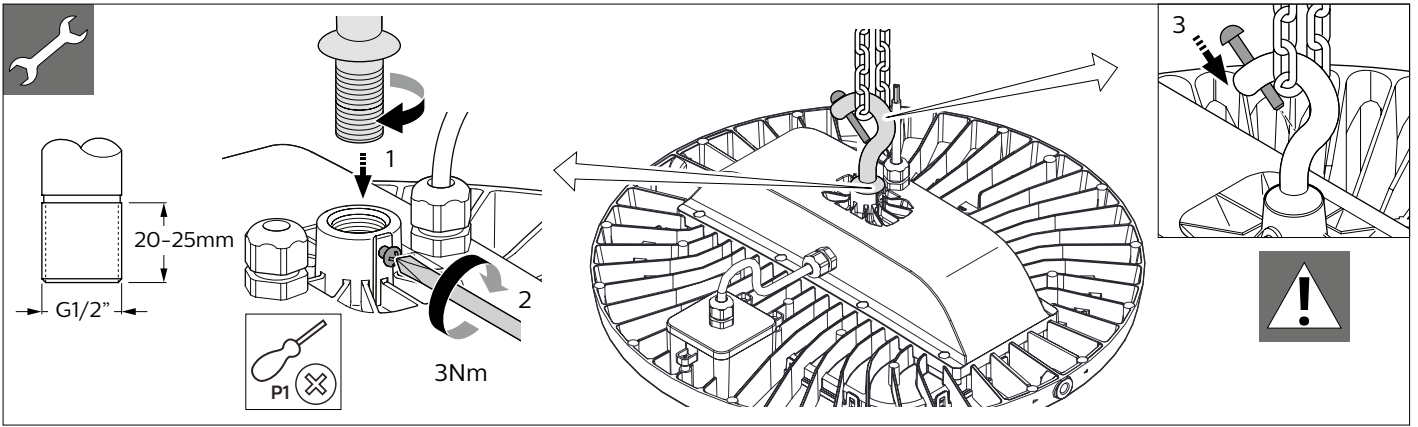


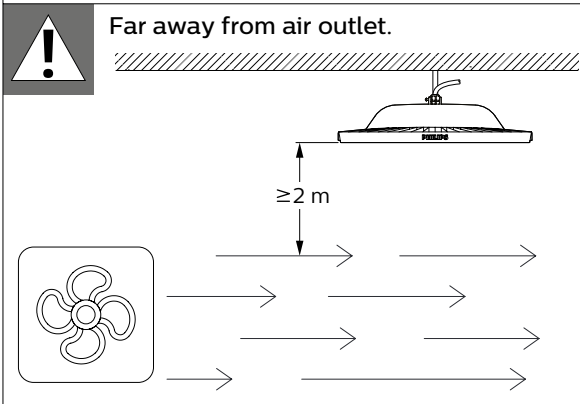
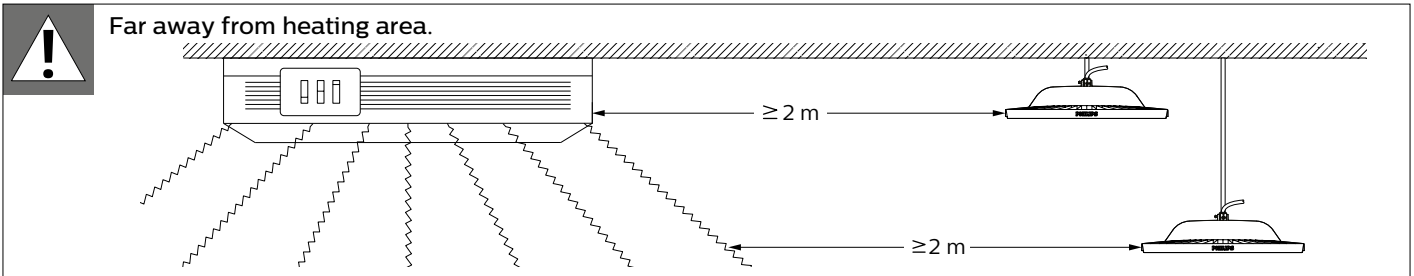
	System lumen (lm)	CCT	P (W)	Optics	D	H	
BY120P G3 LED105S/840 PIR WB GR	10500	4000	85	WB	379	96	3.4
BY120P G3 LED105S/865 PIR WB GR		6500					
BY121P G3 LED205S/840 PIR WB GR	20500	4000	155	WB	452	107	4.9
BY121P G3 LED205S/865 PIR WB GR		6500					

Dimensions in mm

Optional:	Wb	Hb
BY120Z G3	384	230
BY121Z G3	456	267

D: Diameter of the fixture  
 H: Height of the fixture  
 Wb: Width of the mounting bracket  
 Hb: Height of the mounting bracket  
 Min. 150: Minimum distance from ceiling to fixture  
 Min. 5000: Minimum distance from floor to ceiling

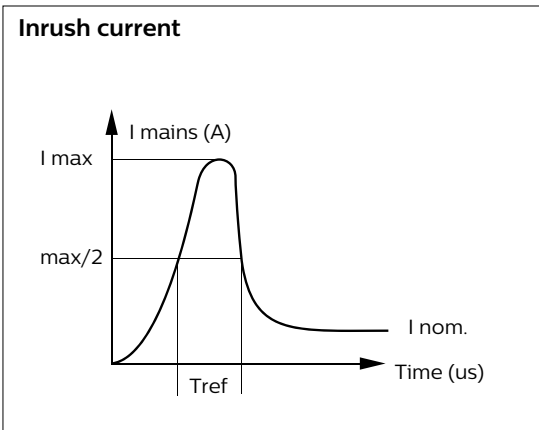




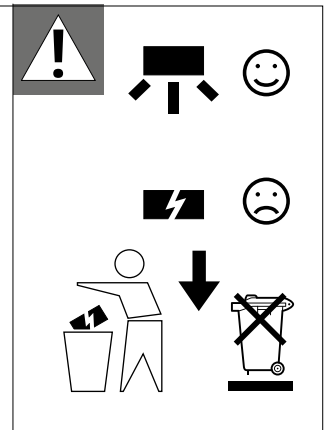
**Applied height.**

Applied height. (Dimensions in m)		
Height (H)	Radius (R)	Sensitivity
5	2.7	95%
10	4.5	90%
13	5.4	70%

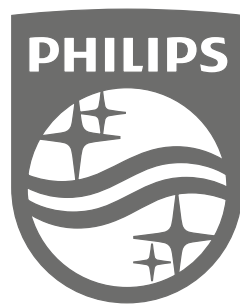
Valid at 25°C room temperature.



	BY120P G3	BY121P G3
Electrical characteristics		
I <sub>max</sub> (A)	46	46
T <sub>ref</sub> (μs)	440	440
MCB	Units Max.	
B-16 A	11	11



- To make sure sensor works well, require the luminous surface levelness <math><1^\circ</math>, the pipe mounting method is recommended, and suggest to use gradienter to precisely measure and adjust.
- The luminaire shall be installed or maintained by a qualified electrician and wired in accordance with the latest IEE electrical regulations or the national requirements.
- If the external flexible cable or cord of this luminaire is damaged, it shall be exclusively replaced by the manufacturer or his service agent or a similar qualified person in order to avoid a hazard.
- The light source contained in this luminaire shall only be replaced by the manufacturer or his service agent or a similar qualified person.
- To make sure sensor works well, require the luminous surface levelness <math><1^\circ</math>, the pipe mounting method is recommended, and suggest to use gradienter to precisely measure and adjust.



© 2016 Philips Lighting Holding B.V.

All rights reserved. Reproduction in whole or in part is prohibited without the prior written consent of the copyright owner. The information presented in this document does not form part of any quotation or contract, is believed to be accurate and reliable and may be changed without notice. No liability will be accepted by the publisher for any consequence of its use. Publication thereof does not convey nor imply any license under patent- or other industrial or intellectual property rights.

Philips Lighting Holding B.V.  
The Netherlands