

Coreline Trunking LL120X SMB KIT

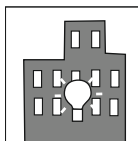
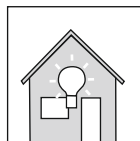
Mounting instructions

Instructions de montage
Montageanleitung
Montage instruktiv
Instruzioni di montaggio

Instrucciones de montaje
Instruções de montagem
Monteringsinstruktioner
Monteringsvejledning

Kokoonpano- ja kiinnitysohjeet
Montaj yönergesi
Szerelesí utasítások
Instrukcja montażu

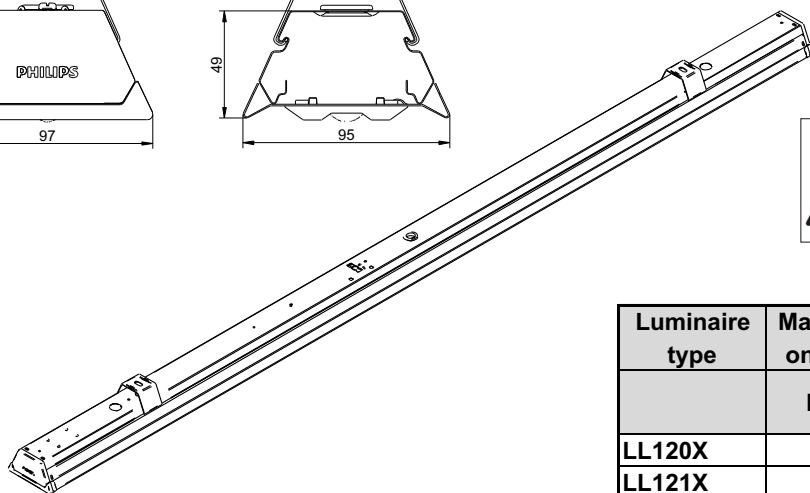
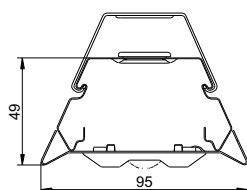
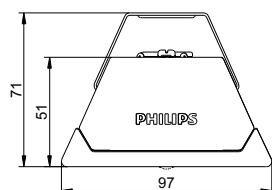
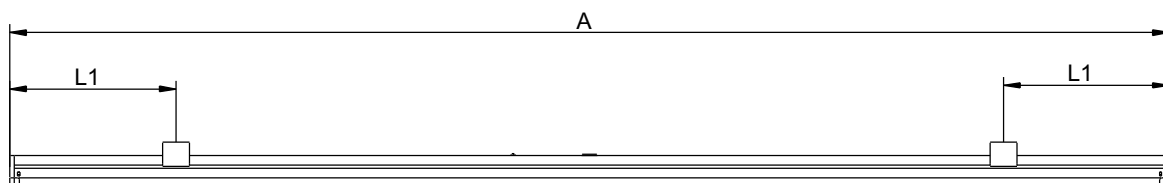
Návod k montáži
Návod k montáži



~220V...240V
50 Hz/60 Hz



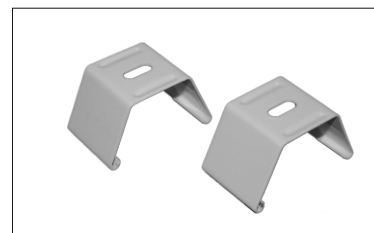
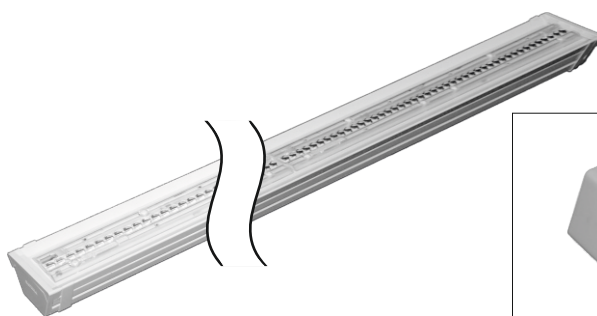
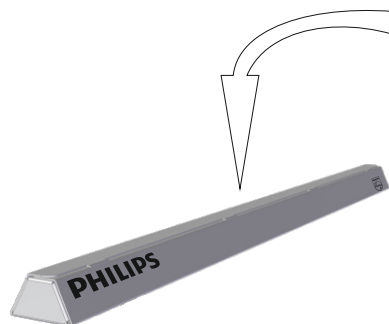
IP20



Disconnect before servicing
Mettre hors tension avant intervention
Öffnen nur spannungsfrei
Demonteren voor onderhoud
Togliere tensione prima di fare manutenzione
Desconectar antes de manipular
Bryt strömmen före lampbyte

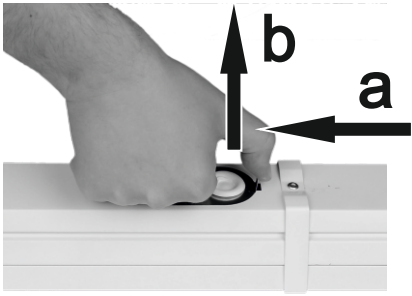
Luminaire type	Max No. of luminaires on MCB (16a type-B)		Inrush Current Peak [A/μs]	
	PSD	PSU	PSD	PSU
LL120X	12	12	22/2750	19/280
LL121X	24	24		

Luminaire type		SYSTEM FLUX	Wattage	⊖ Ta	A [m]	L1 [m]	max
LL120X	LED160S/840	16000	108	-20°C to +35°C	3,47	0,50 - 0,80	6,6
LL121X	LED80S/840	8000	54	-20°C to +35°C	1,74	0,30 - 0,50	3,3



12NC 4427 101 47732
Versiondate: 26/11/2016
Data subject to change without notice
Printed in Poland
www.philips.com/lighting

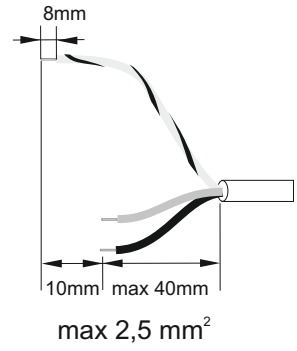
PHILIPS



1



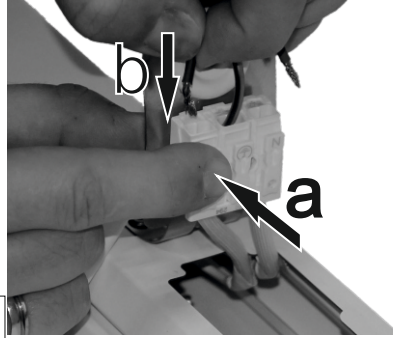
2



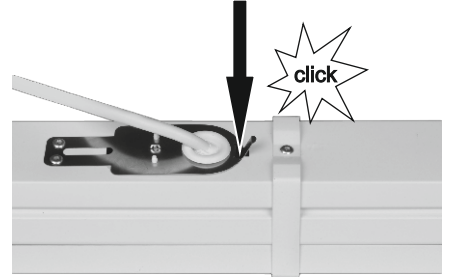
3



4



5



6