

# 1 L101X

High Powered Xenon Tube Beacon  
 5J Xenon Flash Tube  
 Three modes : Flashing 1 Hz\*,  
 Flashing 1.5Hz† (DC units Only),  
 Double Strike† (DC Units Only)  
 IP Rating: IP66  
 Temp: -25°C to +55°C  
 Unit weight: 200g  
 CE

Dimensions : 86.0 x 86.0mm  
 1.5mm<sup>2</sup> terminals  
 Cable entry: M20 cable entry ( IP66)  
 Dependant on Back Box selected

[z] = Back Box Type  
 B = L101 type      M = Multi-purpose type  
 A = A100 type      S = Sonora type

[y] = Lens colour  
 R = Red\*              A = Amber    G = Green  
 B = Blue              C = Clear\*

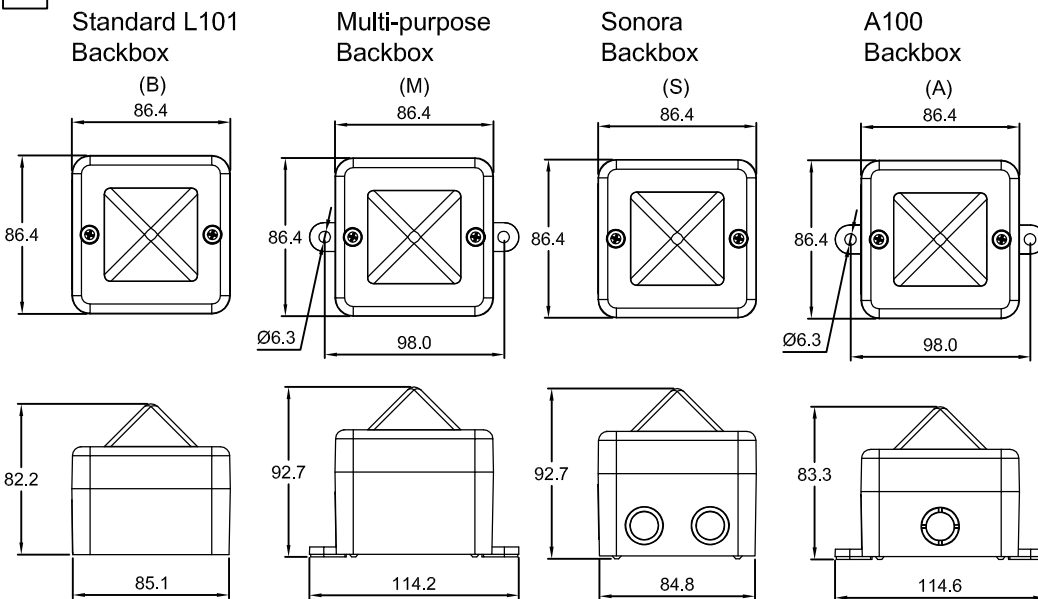
[x] = Housing colour  
 G = Grey    R = Red      W = White

Order code	Voltage	Current
L101XDC012[z][x]/[y]	10-14 VDC/AC	500mA/380mA
L101XDC024[z][x]/[y]*	20-28 VDC/AC	250mA/300mA
L101XDC048[z][x]/[y]*	42-52 VDC	175mA
L101XAC048[z][x]/[y]	48 VAC±10%	250mA
L101XAC115[z][x]/[y]	115 VAC±10%	70mA
L101XAC230[z][x]/[y]	230 VAC±10%	35mA

†Flashing 1.5Hz and Double Strike modes are not available on the following units: L101XDC012[b][x]/[y] when used with an AC supply; L101XAC048[b][x]/[y]; L101XAC115[b][x]/[y] & L101XAC230[b][x]/[y].

\* Denotes models with VdS/CPR Approval for EN54-23, 24/48 VDC application only.

## 3 Back Box Type



## 2

**ATTENTION:** Installation must be carried out by an electrician in compliance with the latest codes and regulations.

**ATTENTION:** Disconnect from power source before installation or service to prevent electric shock.

**ATTENTION:** On strobe beacons allow a minimum of 2 minutes for hazardous high voltage to discharge from unit.

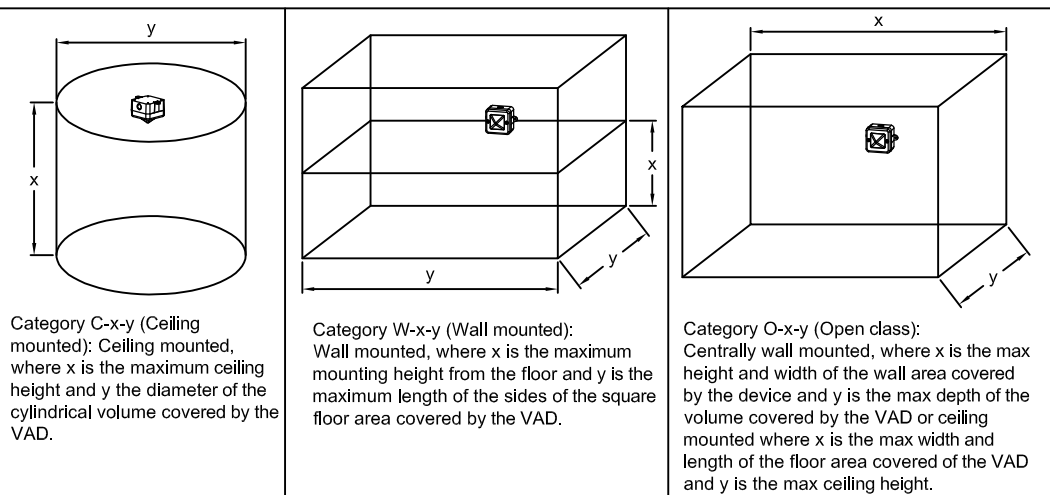
**ATTENTION:** Lens on unit will be hot allow to cool prior to removal.



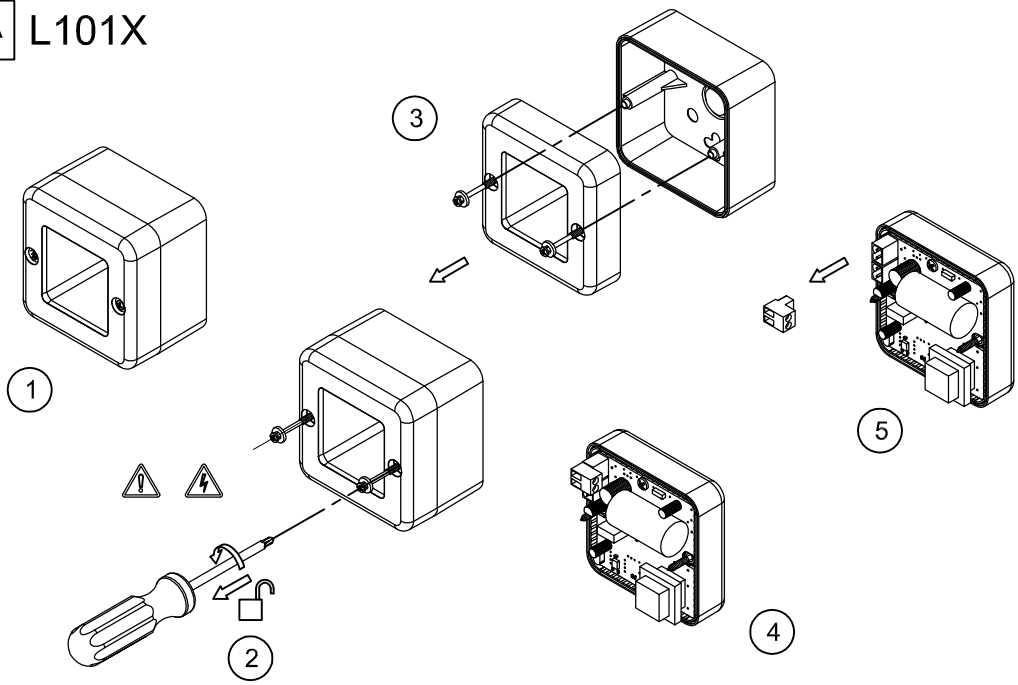
## 4

### Coverage Area According to EN54-23

Unit	Category C	Category W	Category O	Power
L101XDC024[z][x]/C	C-9-6,8	W-2,4-4,8	O-4,8-10	6W
	V=326,9m <sup>3</sup>	V=55,3m <sup>3</sup>	V=230,4m <sup>3</sup>	
L101XDC024[z][x]/R	C-3-2,6	N/A	O-1,9-3,6	6W
	V=15,9m <sup>3</sup>		V=13,0m <sup>3</sup>	
L101XDC048[z][x]/C	C-9-7	W-2,5-5	O-5-10	8,4W
	V=346,4m <sup>3</sup>	V=62,5m <sup>3</sup>	V=250,0m <sup>3</sup>	
L101XDC048[z][x]/R	C-3-3	N/A	O-2-4	8,4W
	V=21,2m <sup>3</sup>		V=16,0m <sup>3</sup>	

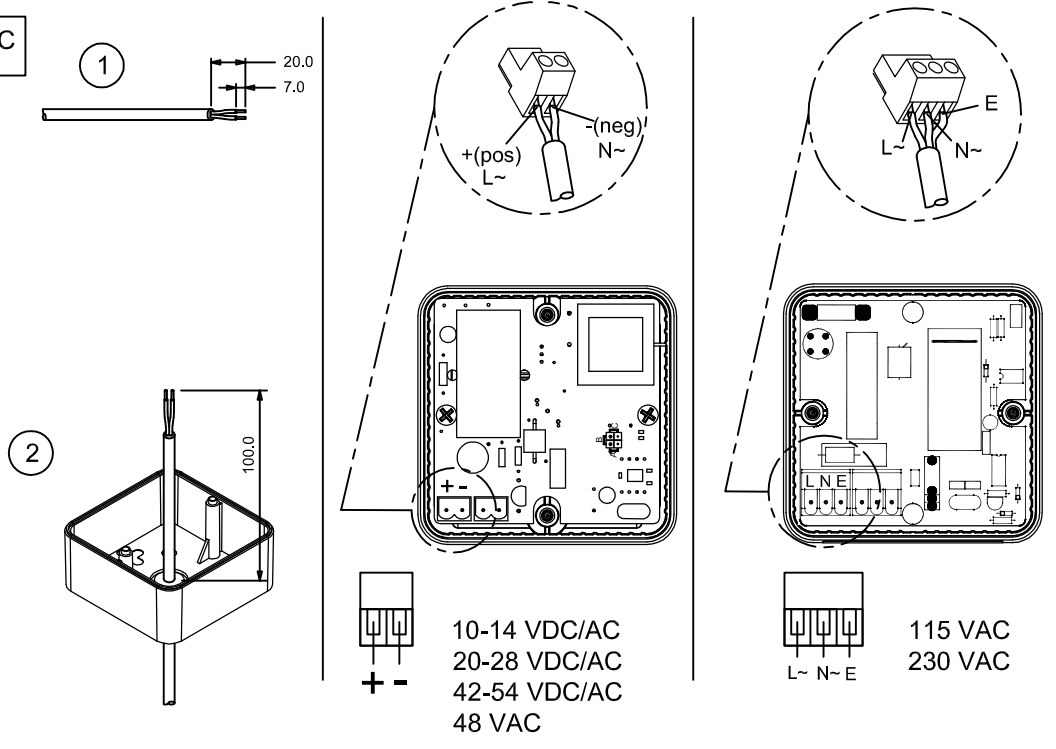


# A L101X

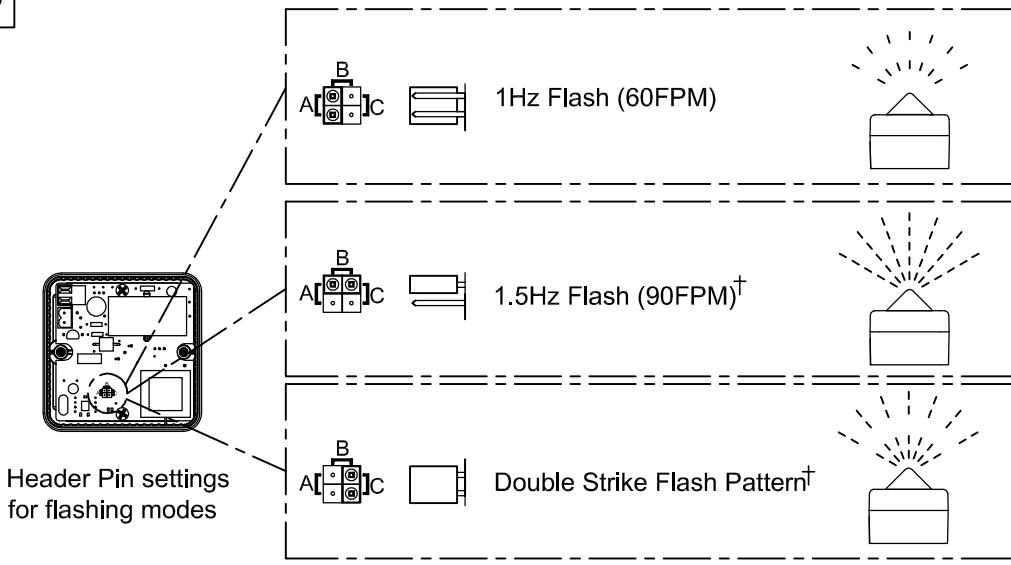


Tel: +44 (0)20 8743 8880 Fax: +44 (0)20 8740 4200  
 mail: sales@e2s.com web: www.e2s.com

# C



# B



<sup>†</sup>Flashing 1.5Hz and Double Strike modes are not available on the following units: L101XDC012[b][x]/[y] when used with an AC supply; L101XAC048[b][x]/[y]; L101XAC115[b][x]/[y] & L101XAC230[b][x]/[y].

# D

