



entre nous,  
protéger la vie

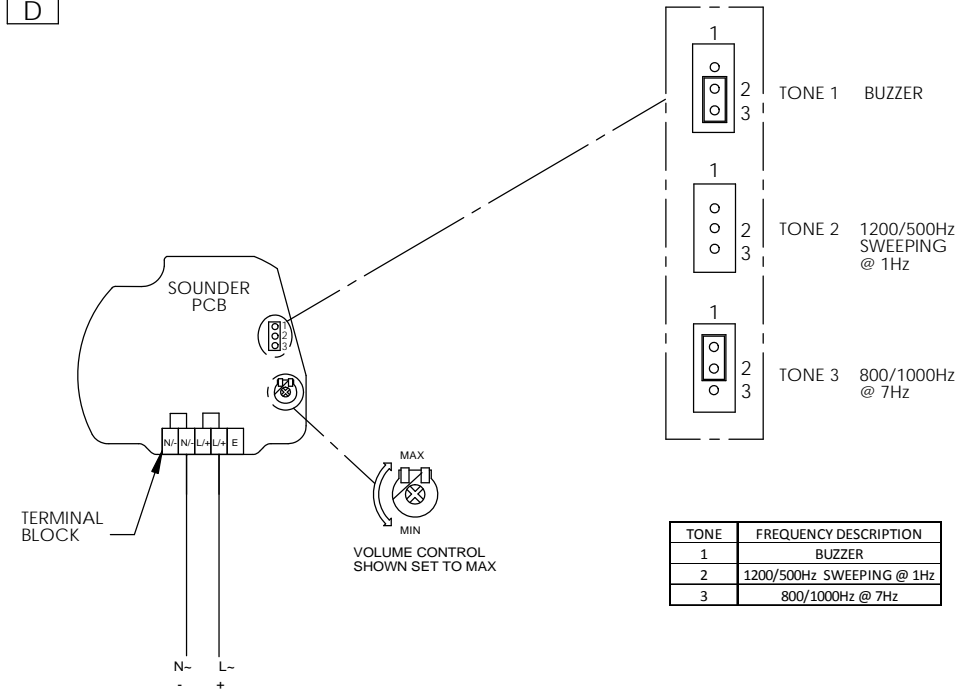
Buzzer Horn  
IP Rating: IP65  
Temp: -25 °C to +50 °C  
Unit weight: 118g  
CE

Order code Voltage  
H100B030G 12-30V AC/DC  
• 12V dc 10mA  
• 24V dc 24mA  
• 12V ac 50/60Hz 30mA  
• 24V ac 50Hz 62mA

H100B230G 40-260V AC/DC  
• 48V dc 15mA  
• 48V ac 50/60Hz 25mA  
• 115V dc 6mA  
• 230V dc 3mA  
• 115V ac 50/60Hz 19mA  
• 230V ac 50/60Hz 10mA

Dimensions : 79.5 x 94.2mm  
1.5mm<sup>2</sup> terminals  
Cable entry: 1 x 5-7mm push  
through grommet

D

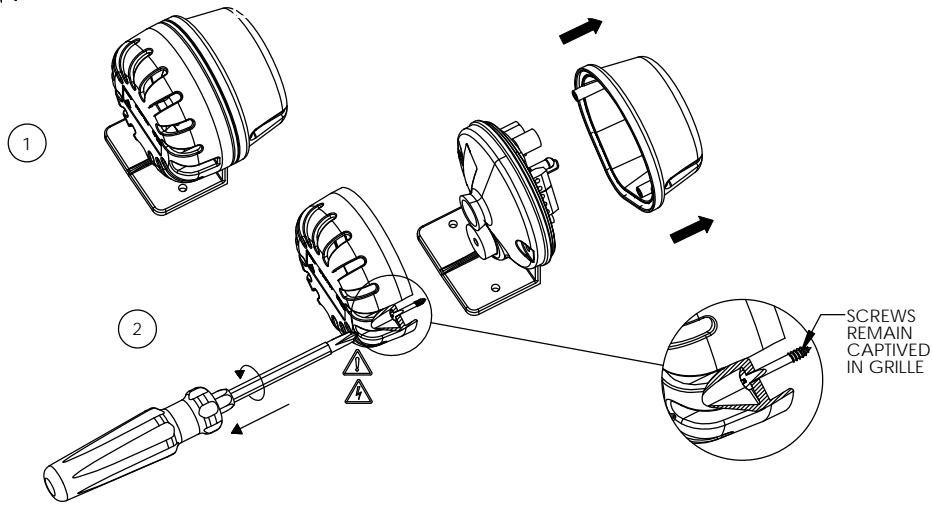


B

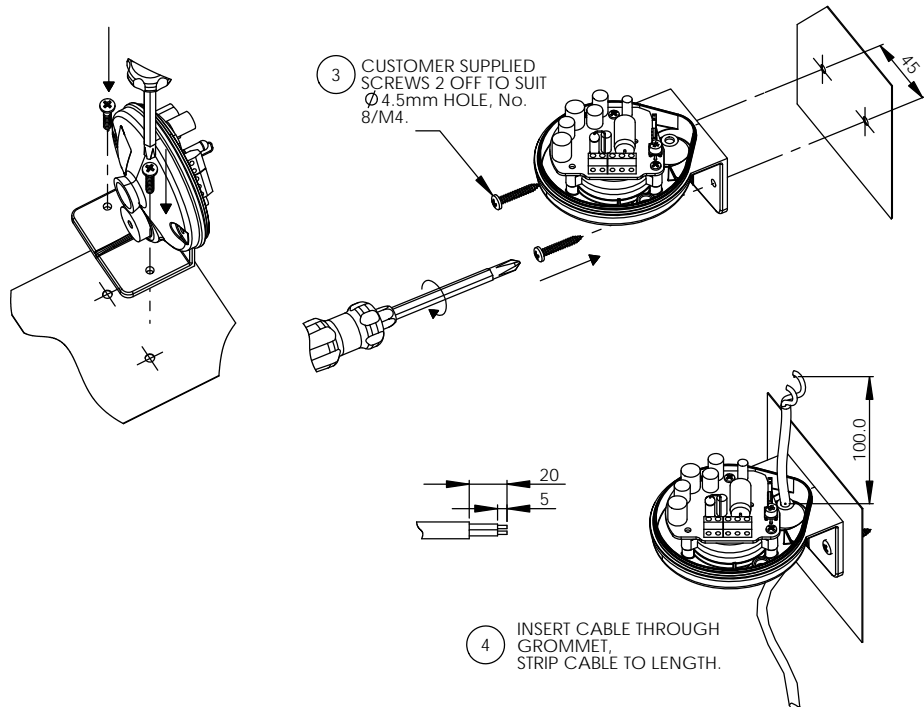
**⚠ ATTENTION:** Installation must be carried out by an electrician in compliance with the latest codes and regulations.

**⚠ ATTENTION:** Disconnect from power source before installation or service to prevent electric shock.

C



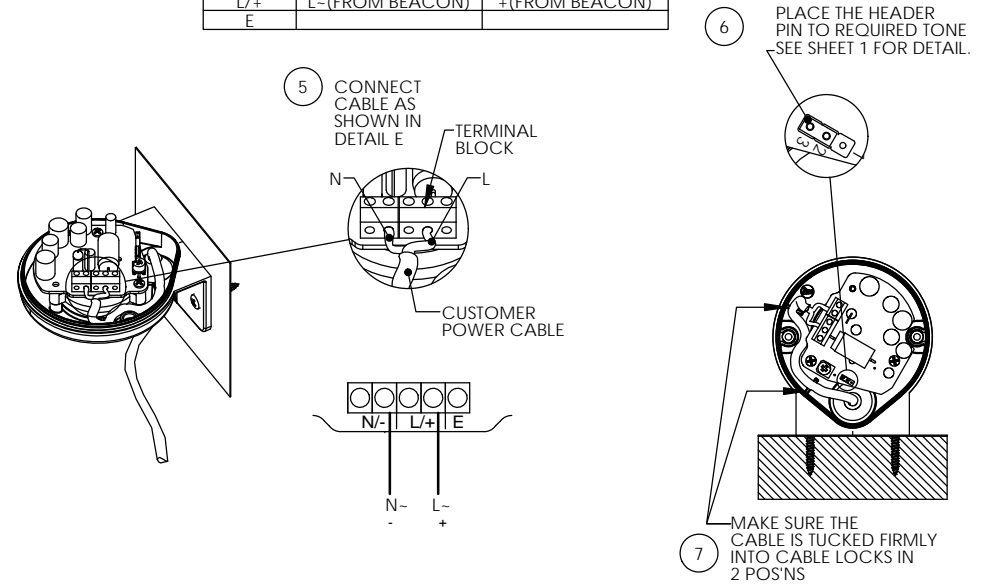
B



Dimensions in mm

C

TERMINAL BLOCK	A/C INPUT	D/C INPUT
N/-	N-	-
N/-	N-(FROM BEACON)	-(FROM BEACON)
L/+	L-	+
L/+	L-(FROM BEACON)	+(FROM BEACON)
E		



D

