

A



= 7 "CE"

Buzzer Horn Strobe
 IP Rating: IP65
 Temp: -25 °C to +50 °C
 Unit weight: 188g
 CE

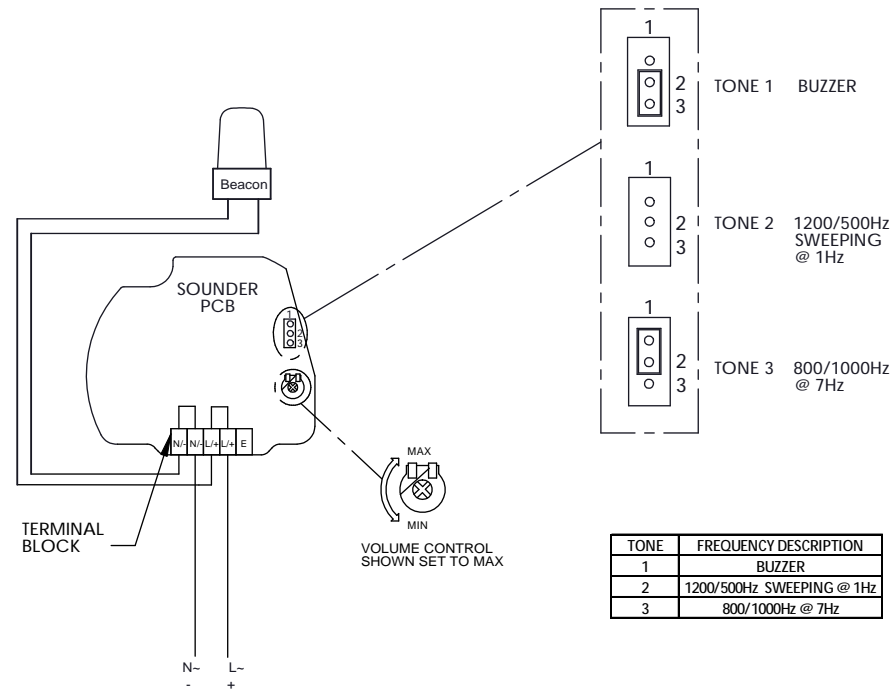
Order code Voltage
 H100BX024G/x 24V AC/DC
 • 24V dc 10mA
 • 24V ac 50Hz 24mA
 • Beacon Current Consumption
 • 24V dc 135mA
 • 24V ac 50Hz 75mA

H100BX115G/x 115V AC
 • 115V ac 50/60Hz 19mA
 • Beacon Current Consumption
 • 115V ac 50/60Hz 30mA

H100BX230G/x 230V AC
 • 230V ac 50/60Hz 10mA
 • Beacon Current Consumption
 • 230V ac 50/60Hz 20mA

x = Lens colour
 R = Red A = Amber
 B = Blue C = Clear
 G = Green Y = Yellow

D

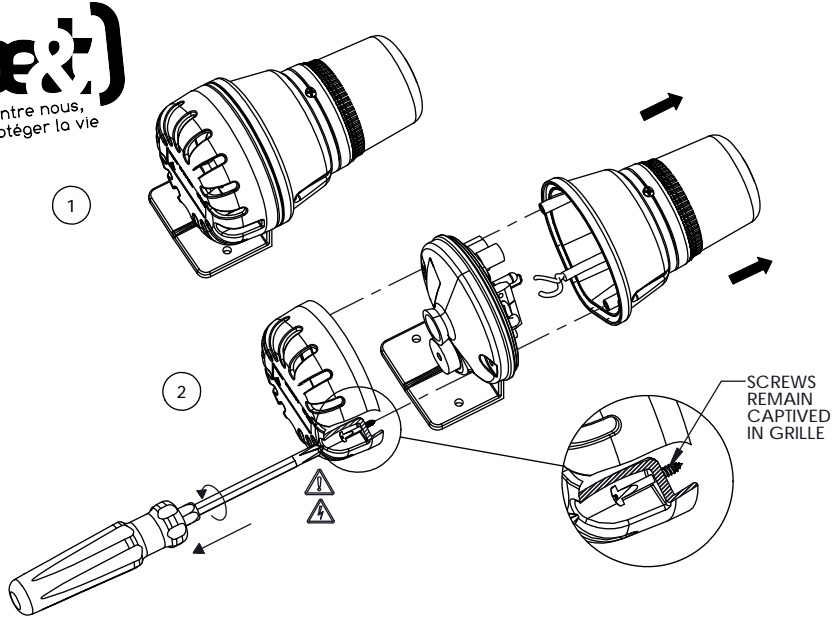


B

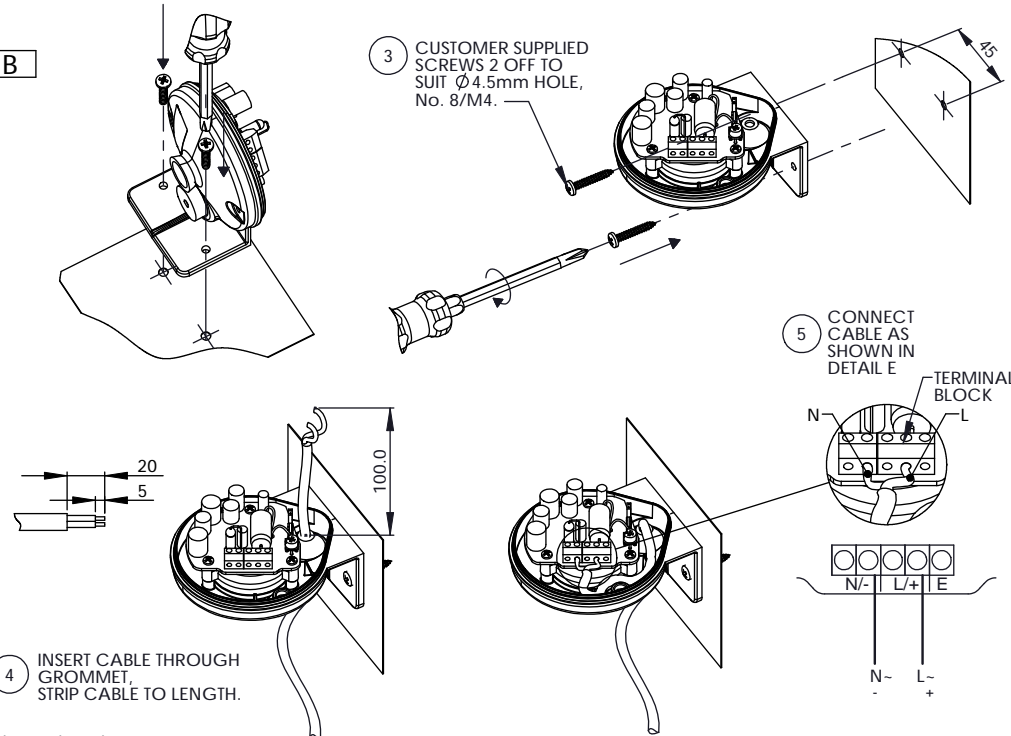
- ⚠ ATTENTION:** Installation must be carried out by an electrician in compliance with the latest codes and regulations.
- ⚠ ATTENTION:** Disconnect from power source before installation or service to prevent electric shock.
- ⚠ ATTENTION:** On strobe beacons allow a minimum of 2 minutes for hazardous high voltage to discharge from unit.
- ⚠ ATTENTION:** Lens on unit will be hot allow to cool prior to removal.

C

A

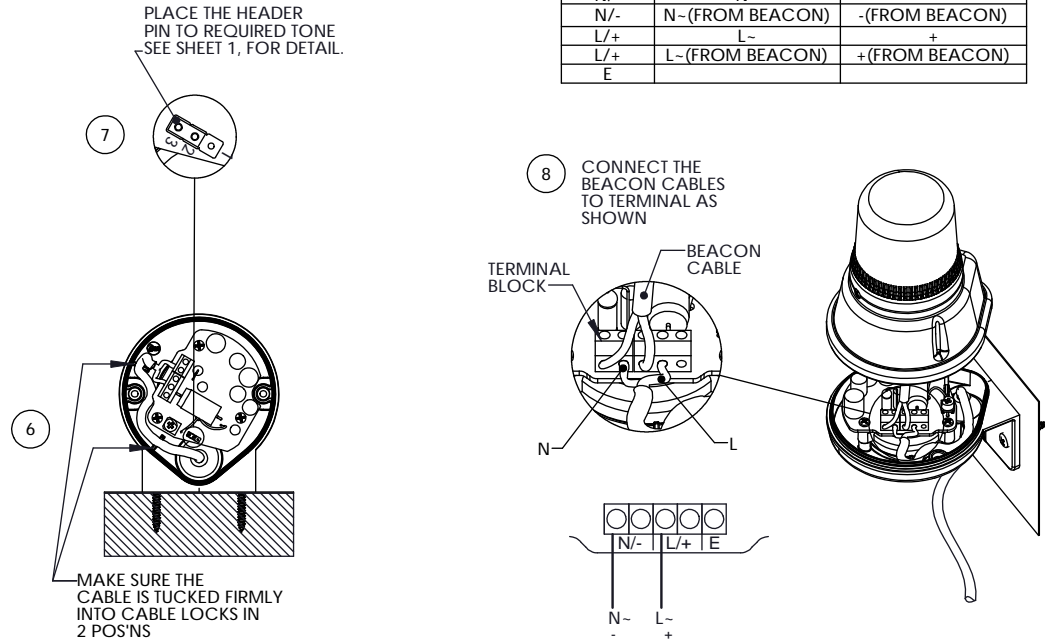


B



Dimensions in mm

C



TERMINAL BLOCK	A/C INPUT	D/C INPUT
N/-	N-	-
N/-	N-(FROM BEACON)	-(FROM BEACON)
L/+	L-	+
L/+	L-(FROM BEACON)	+(FROM BEACON)
E		

D

