

L.E.D Beacon

7 Selectable user modes

3 x Stage Switching

IP Rating: IP67/66 & Type 4/4X/13

Operating Temperature Range:

-25°C to +55°C

Unit Weight: 1.48Kg

CE, EAC, Russian Maritime Register and

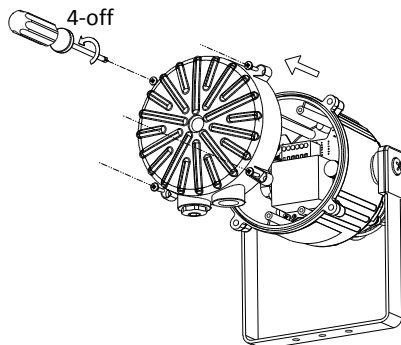
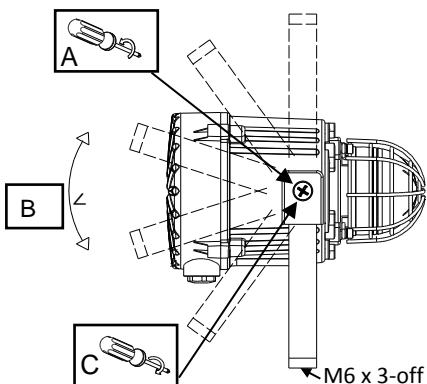
GOST-P approved

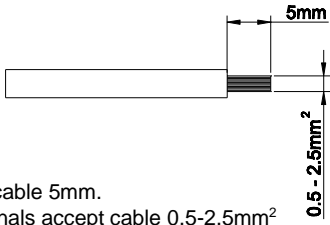
M20 Entries

Unit Type Code	Nominal Voltage	Voltage Range	Nominal Current
MBLD2024	24 V DC	18-54V DC	336
MBLD2115	115V AC	115V +/- 10% AC 50/60Hz	95
MBLD2230	230V AC	230V +/- 10% AC 50/60Hz	48

⚠ ATTENTION: Installation must be carried out by an electrician in compliance with the latest codes and regulations.

⚠ ATTENTION: Disconnect from power source before installation or service to prevent electric shock.

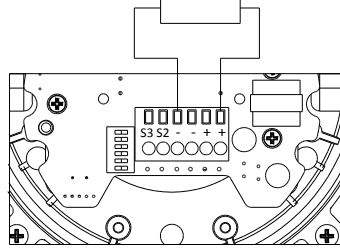




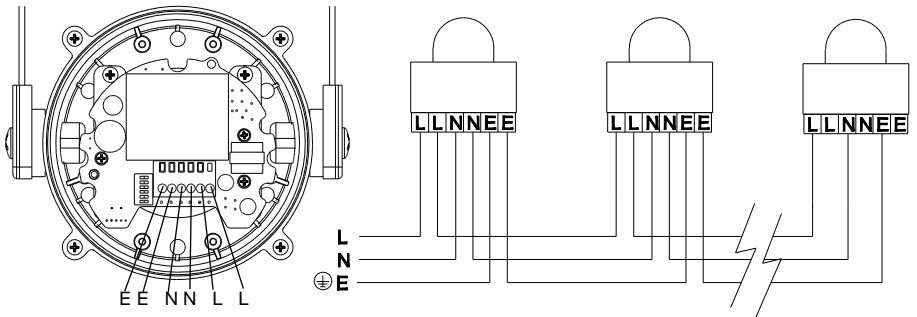
Strip cable 5mm.
 Terminals accept cable 0.5-2.5mm²
 Use suitable cable glands with suitable IP rating

Optional End of Line Monitoring (DC only)

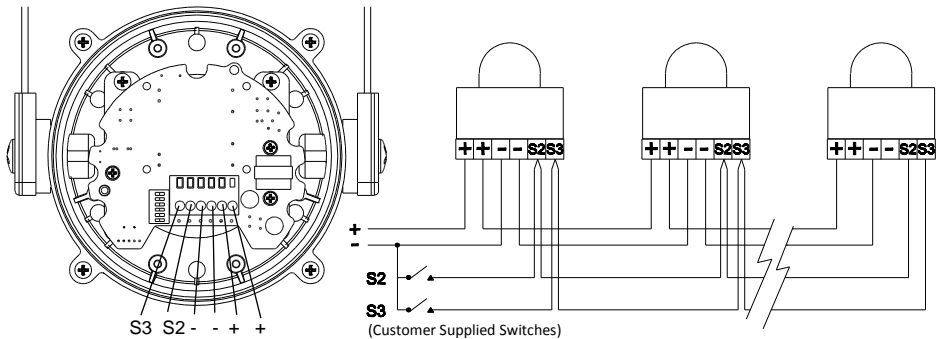
DC Line Monitoring Resistor (Recommended:
 24V DC = MIN 3K9Ω, 0.5W or 1KΩ 2.0W
 48V DC = MIN 15KΩ, 0.5W or 3K9Ω 2.0W)



AC



DC

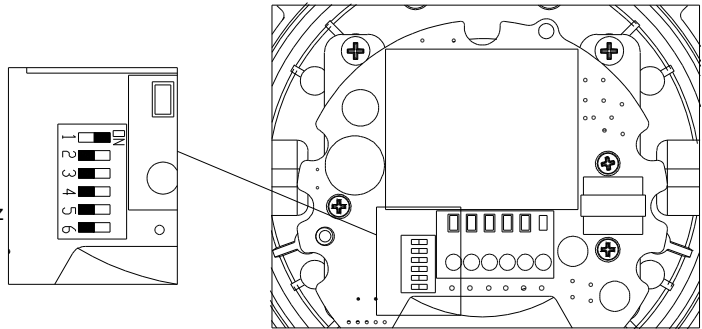


Flash Mode Settings

Switch

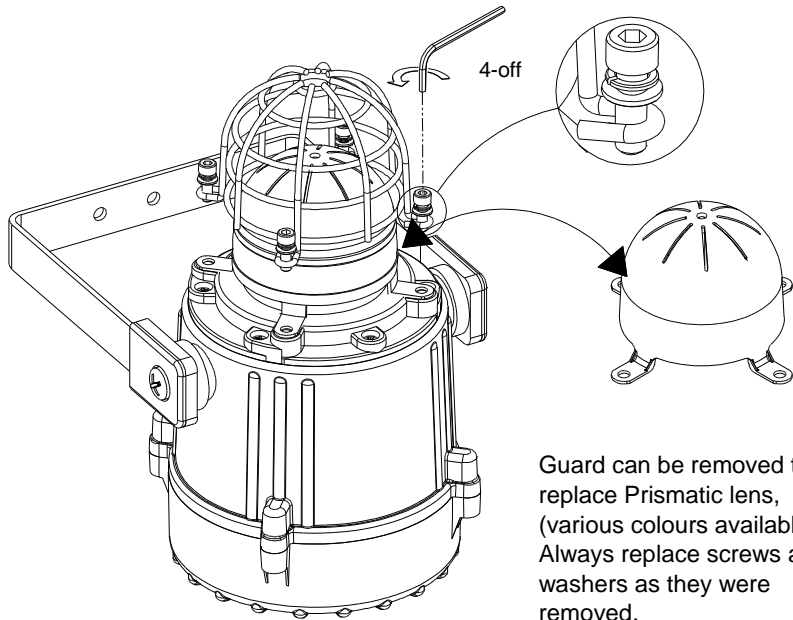
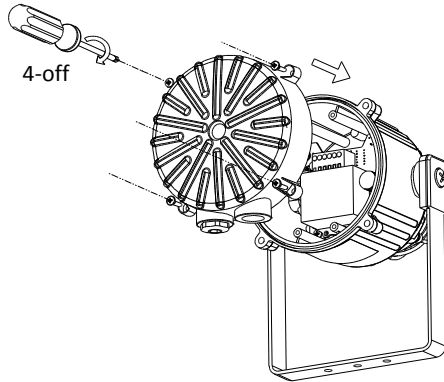
Setting (123456) (AC & DC)	S1 Mode	S2 Mode (DC Only)	S3 Mode (DC Only)
000000	Steady High Power	Flashing 1Hz	Flashing Triple Strike
000001	Steady Low Power	Flashing 1Hz	Flashing Triple Strike
100000	Flashing 1Hz	Flashing Double Strike	Flashing Triple Strike
101000	Flashing 1.5Hz	Flashing 2Hz	Flashing Double Strike
010000	Flashing 2Hz	Flashing Triple Strike	Flashing Triple Strike
110000	Flashing Double Strike	Steady High Power	Flashing Triple Strike
001000	Flashing Triple Strike	Flashing 2Hz	Flashing Double Strike

Example shown:
100000 =
Flashing 1Hz
(Default)



Stage selection (DC Only):

Stage one (S1) Operation	Stage two (S2) Operation	Stage three (S3) Operation
Simply connect the supply voltage to the + and - supply terminals.	Power +ve and -ve, link a -ve supply line to the S2 terminal.	Power +ve and -ve, link a -ve supply line to the S3 terminal.



Guard can be removed to replace Prismatic lens, (various colours available). Always replace screws and washers as they were removed.