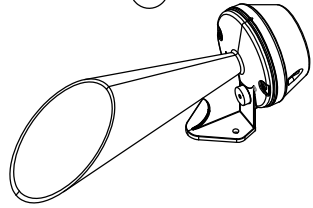


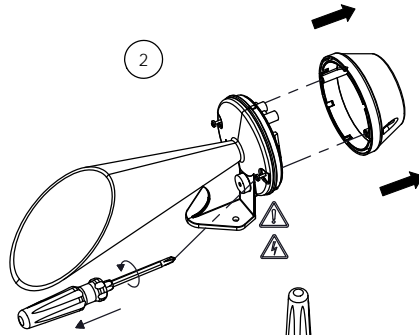
# A SPECTRA

## H 110 T

7 u o  
= u o

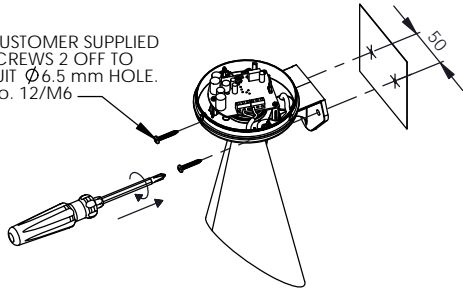


1



2

CUSTOMER SUPPLIED  
SCREWS 2 OFF TO  
SUIT Ø6.5 mm HOLE.  
No. 12/M6



3

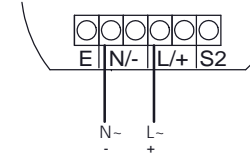
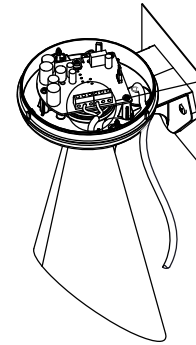
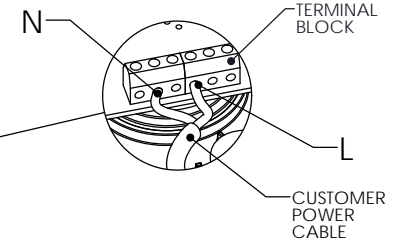
Tel : +44 (0)2 8743 8880 Fax : +44 (0)20 8740 4200  
mail : sales@e2s.com web : www.e2s.com



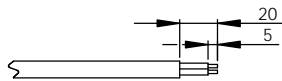
# C

TERMINAL BLOCK	A/C INPUT	D/C INPUT
E		
N/-	N-	-
N/-	N-(FROM BEACON)	-(FROM BEACON)
L/+	L-	+
L/+	L-(FROM BEACON)	+(FROM BEACON)
S2	SWITCH TO L-	SWITCH TO -

7 CONNECT  
CABLE AS  
SHOWN

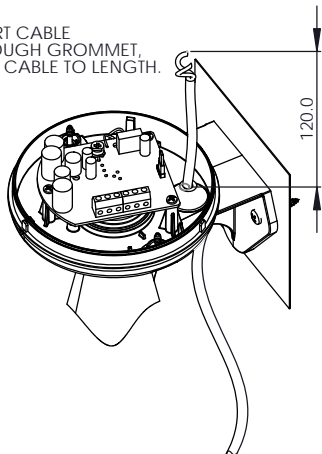


# B

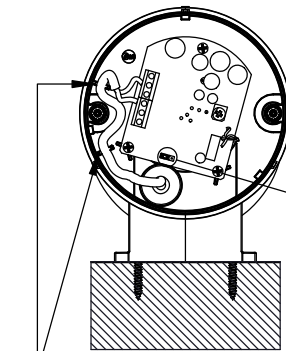


4

INSERT CABLE  
THROUGH GROMMET,  
STRIP CABLE TO LENGTH.



Dimensions in mm



5

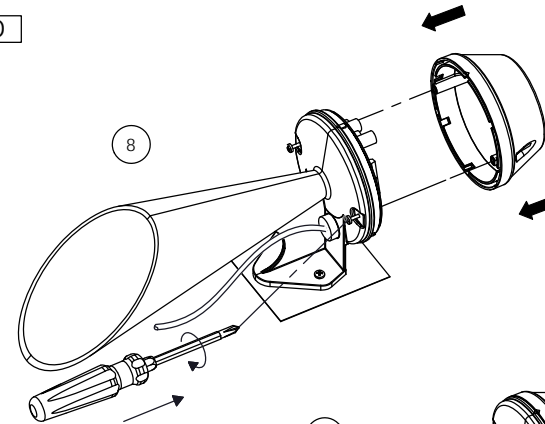
MAKE SURE THE  
CABLE IS TUCKED FIRMLY  
INTO CABLE LOCKS IN  
2 POS'NS

6

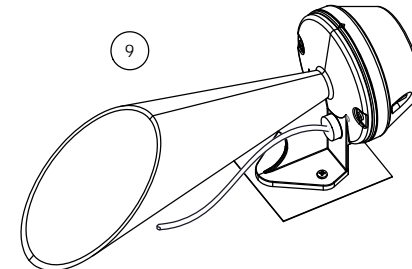
PLACE THE  
HEADER  
PIN TO  
REQUIRED  
TONE  
SEE SHEET 1,  
FOR DETAIL.



# D



8



9



0153-00-001-6\_SHT2\_ISSUE\_B

A

# SPECTRA

Trumpet Horn  
IP Rating: IP65  
Temp: -25 °C to +50 °C  
Unit weight: 341g  
CE

Order code Voltage  
H110T030G 10-30V AC/DC  
• 12V dc 52mA  
• 24V dc 105mA  
• 12V ac 50/60Hz 115mA  
• 24V ac 50Hz 215mA

H110T230G 40-260V AC/DC  
• 48V dc 42mA  
• 48V ac 50/60Hz 68mA  
• 115V dc 16mA  
• 230V dc 8mA  
• 115V ac 50/60Hz 36mA  
• 230V ac 50/60Hz 18mA

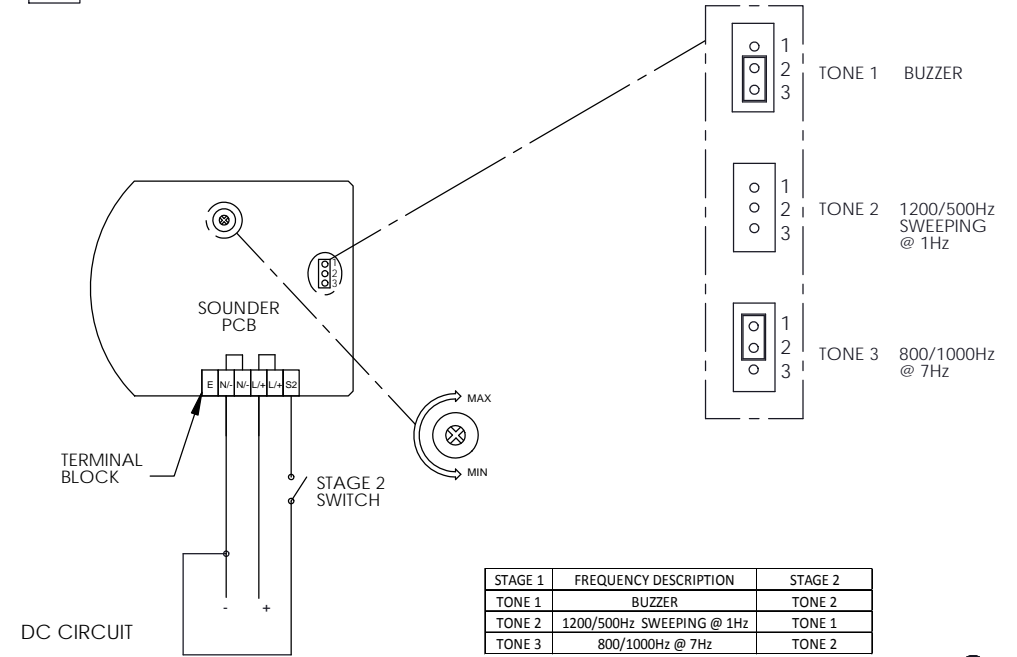
# H110 T

Dimensions : 336.7 x 135mm  
1.5mm<sup>2</sup> terminals  
Cable entry: 1 x 5-7mm push  
through grommet

Tel : +44 (0)2 8743 8880 Fax : +44 (0)20 8740 4200  
mail : sales@e2s.com web : www.e2s.com



C



B

**⚠ ATTENTION:** Installation must be carried out by an electrician in compliance with the latest codes and regulations.

**⚠ ATTENTION:** Disconnect from power source before installation or service to prevent electric shock.

D

